

[54] **TOY CONTAINER**

[75] **Inventor: Howard S. Kamentsky, Buffalo, N.Y.**

[73] **Assignee: The Quaker Oats Company, Chicago, Ill.**

[**] **Term: 14 Years**

[21] **Appl. No.: 693,741**

[22] **Filed: Jan. 23, 1985**

[52] **U.S. Cl. D21/59; D21/66**

[58] **Field of Search D21/204, 59, 62, 66; 446/69, 153, 236, 227, 396, 431; D7/23; 273/58 F, 153, 156, 157 R, 160; 428/11**

[56] **References Cited**

U.S. PATENT DOCUMENTS

D. 255,859 7/1980 Samuels D7/23

D. 264,359 5/1982 Grubb et al. D21/65

D. 265,844 8/1982 Simpson et al. D21/59

D. 287,988 1/1987 Billinghamst D21/59

Primary Examiner—Charles A. Rademaker
Attorney, Agent, or Firm—Cumpston & Shaw

[57] **CLAIM**

The ornamental design for a toy container, substantially as shown and described.

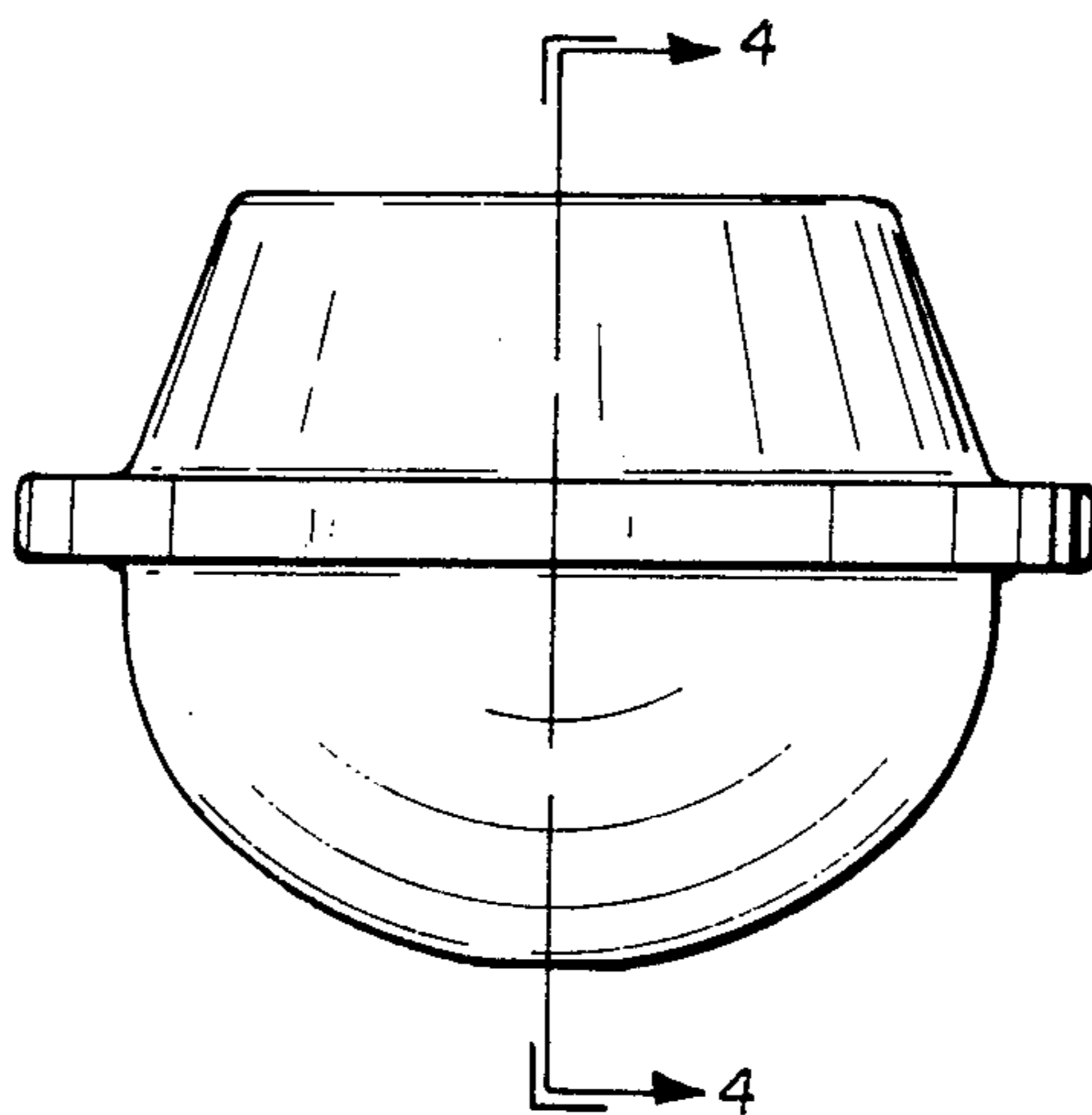
DESCRIPTION

FIG. 1 is a top plan view of a toy container showing my new design;

FIG. 2 is a bottom plan view thereof;

FIG. 3 is a front elevational view thereof, the right and left sides and rear elevational views being identical; and

FIG. 4 is a left-side elevational view thereof, partly in section.



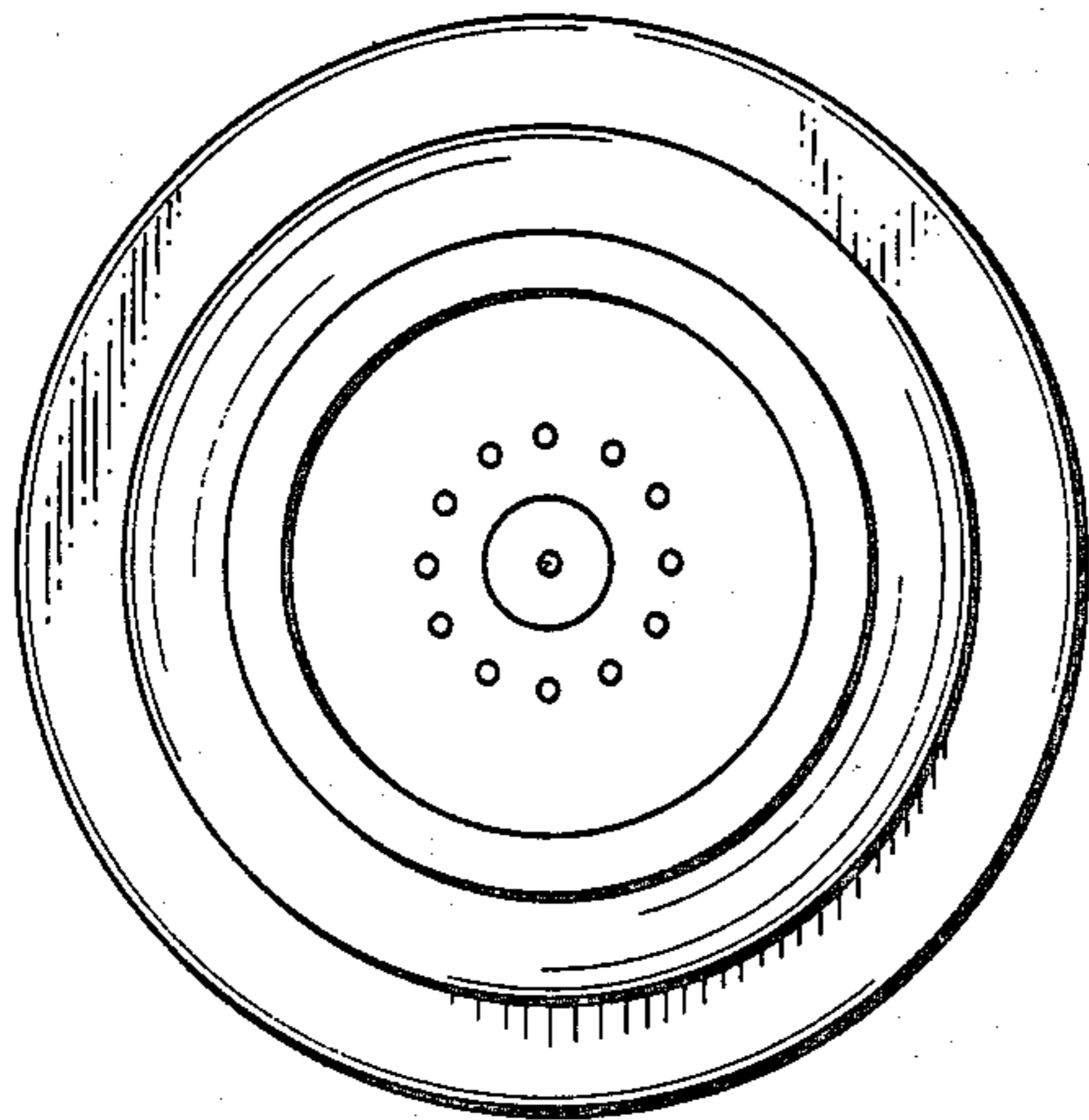


FIG. 1

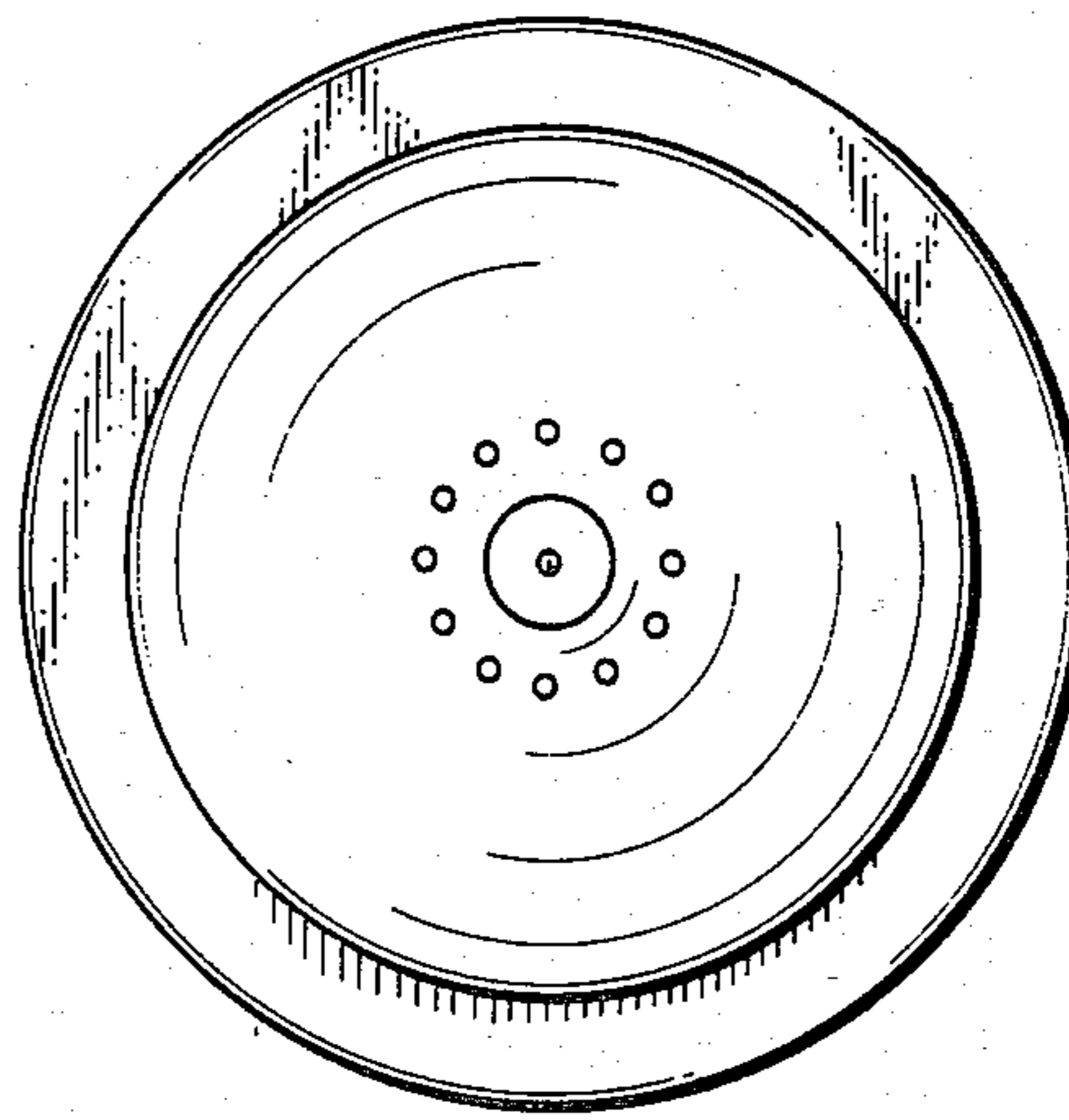


FIG. 2

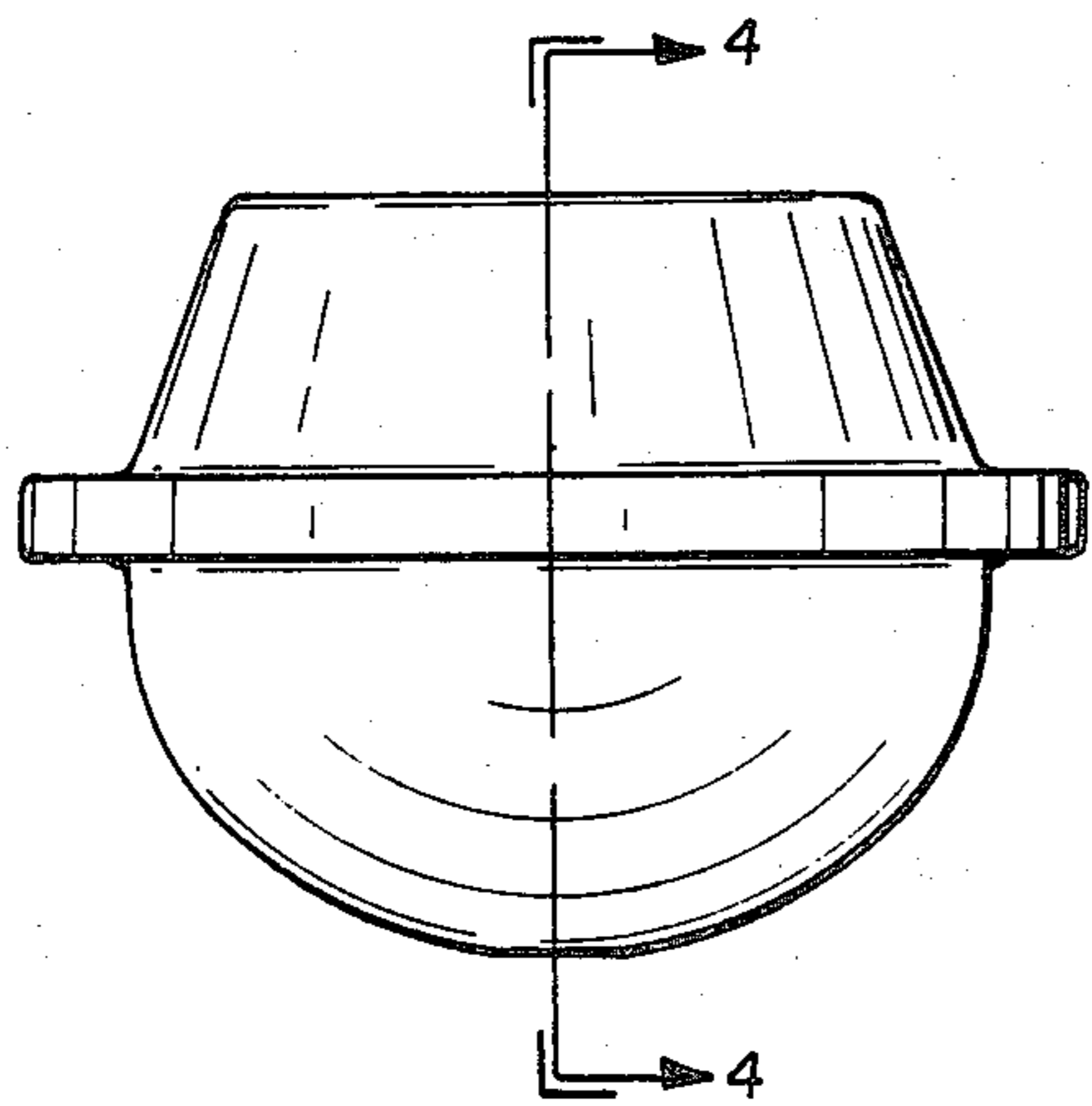


FIG. 3

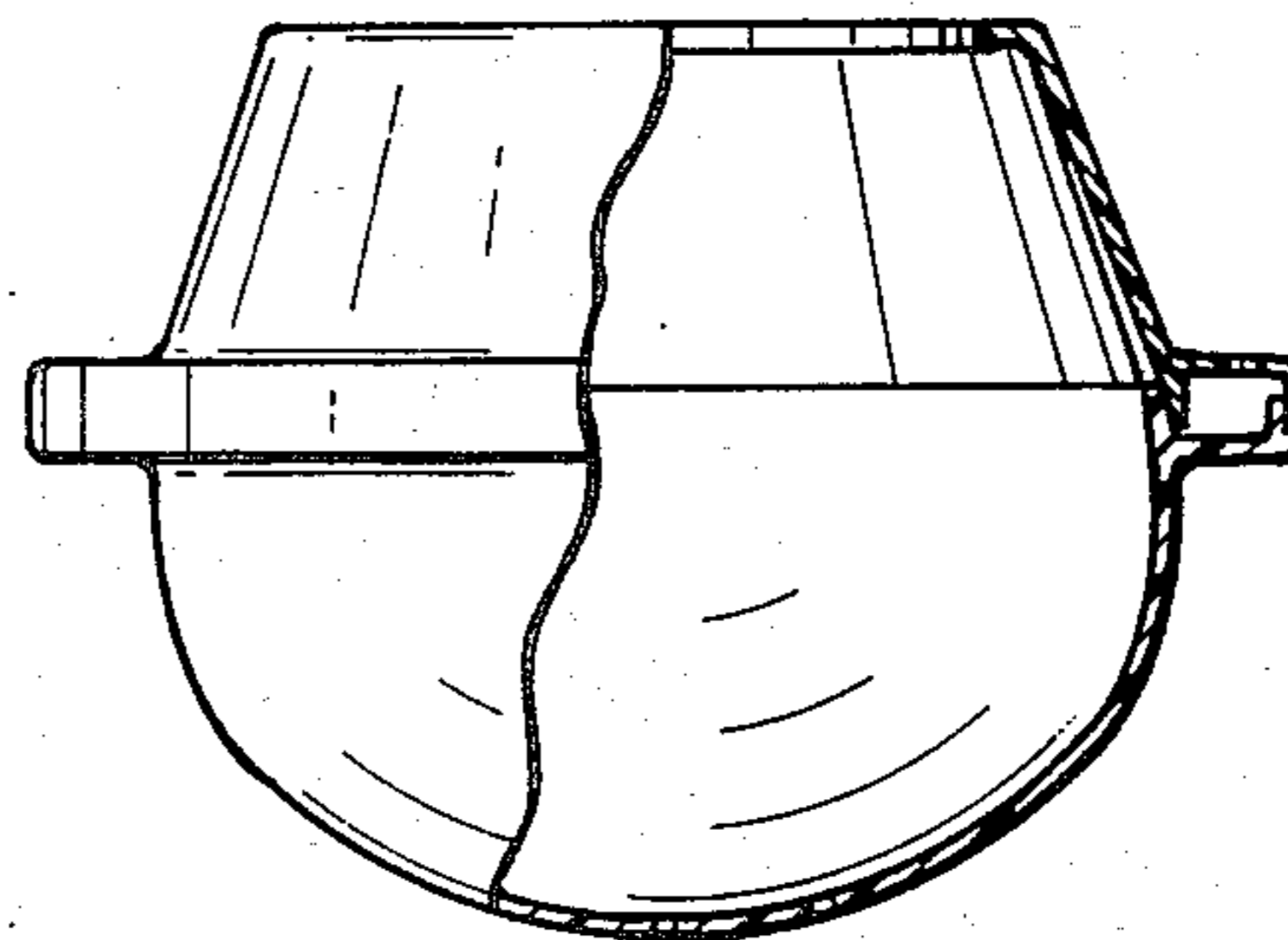


FIG. 4