

[54] CONTAINER FOR STATIONERY AND INDEX CARDS

[76] Inventors: Chiu-Hun Tsang, Factory C, Kingsway Industrial Building, (Phase 1), 10th Floor, 167-171, Wo Yi Hop Road, Kwai Chung, New Territories, Hong Kong; Chee-Kong Mak, Room 602, Kut Chee Building, 128-134 Wellington Street, Hong Kong, both of Hong Kong

[**] Term: 14 Years

[21] Appl. No.: 658,983

[22] Filed: Oct. 9, 1984

[30] Foreign Application Priority Data

Apr. 9, 1984 [GB] United Kingdom 1019001
[52] U.S. Cl. D19/86; D19/69; D19/90

[58] Field of Search D3/39, 38, 74; D19/75-78, 86, 90-92, 67, 69; D10/2; 206/425, 371

[56] References Cited

U.S. PATENT DOCUMENTS

D. 234,727 4/1975 Mark D3/39

D. 252,409 7/1979 Rose D3/39
D. 261,825 11/1981 Benson et al. D3/39
D. 275,018 8/1984 Kessler et al. D19/90
D. 281,929 12/1985 Strobel et al. D3/74

OTHER PUBLICATIONS

Old Village Shop Catalog, Fall 1983, p. 79-Memo Holder at top left.

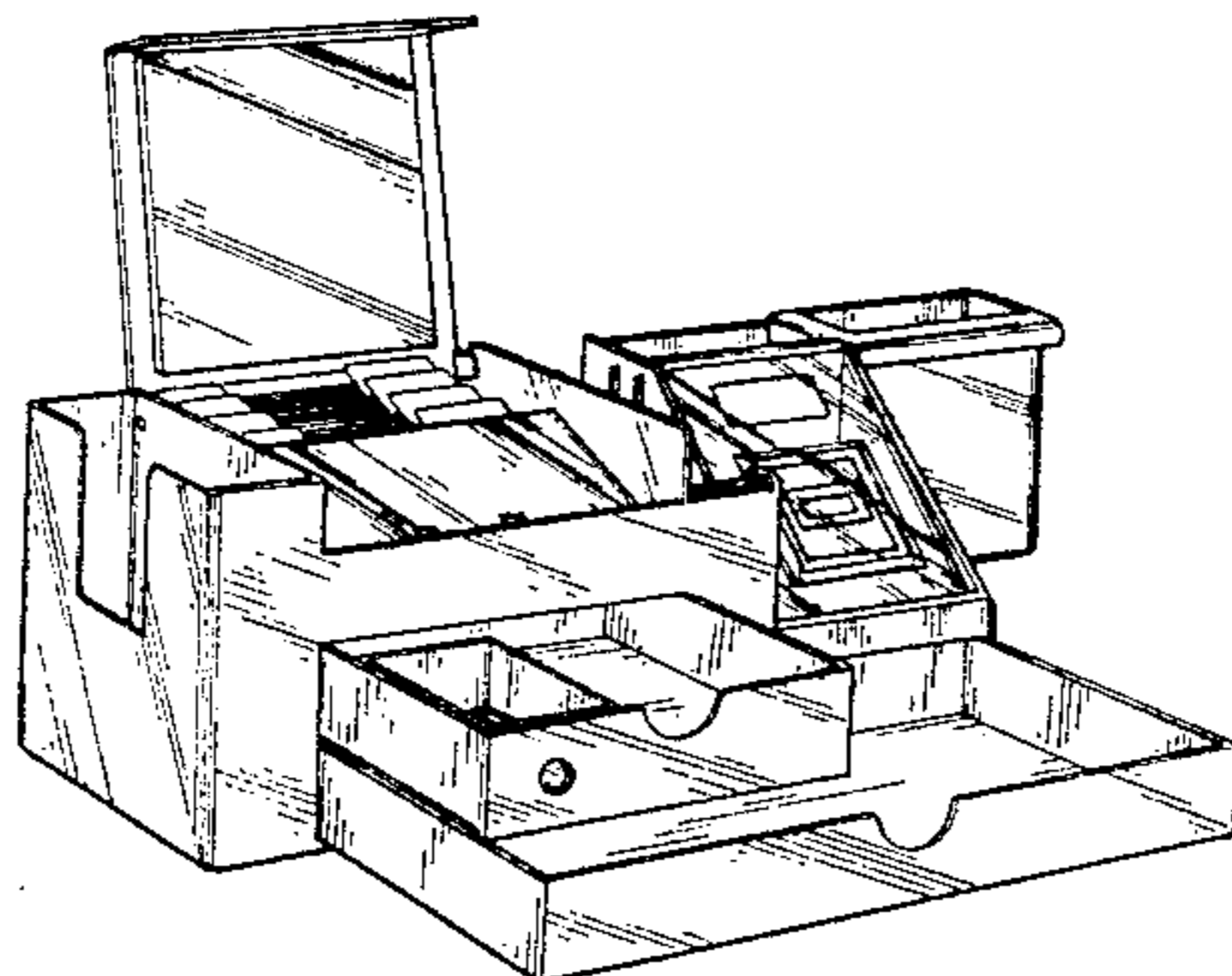
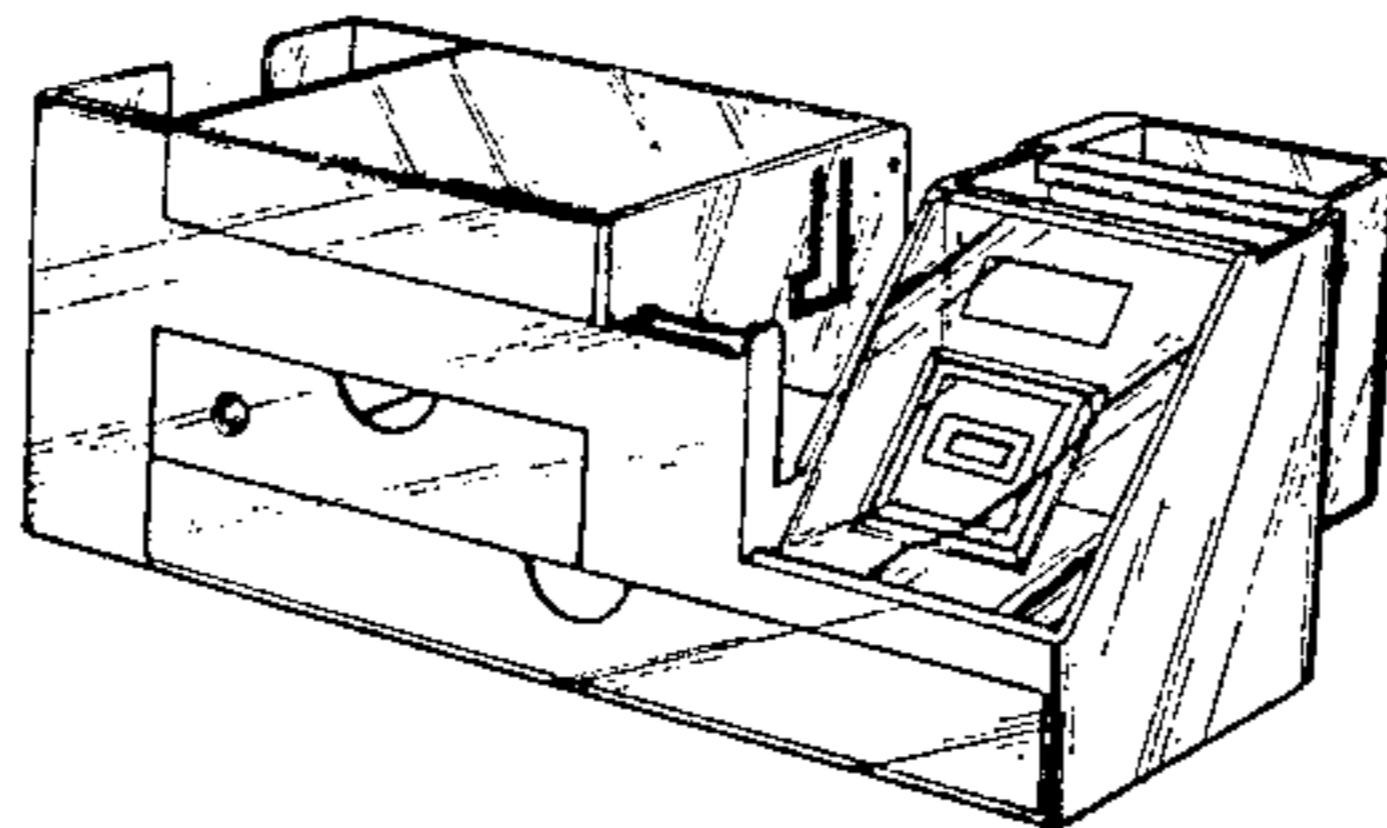
Primary Examiner—Louis S. Zarfes
Attorney, Agent, or Firm—Bacon & Thomas

[57] CLAIM

The ornamental design for a container for stationery and index cards, substantially as shown and described.

DESCRIPTION

FIG. 1 is a top plan view of a container for stationery and index cards showing our new design;
FIG. 2 is a bottom plan view.
FIG. 3 is a front elevation.
FIG. 4 is a rear elevation.
FIG. 5 is an elevation of one end.
FIG. 6 is an elevation of the other end.
FIG. 7 is a front perspective view from above and one end.
FIG. 8 is a front perspective view from above and the other end, showing parts of the article in different positions.



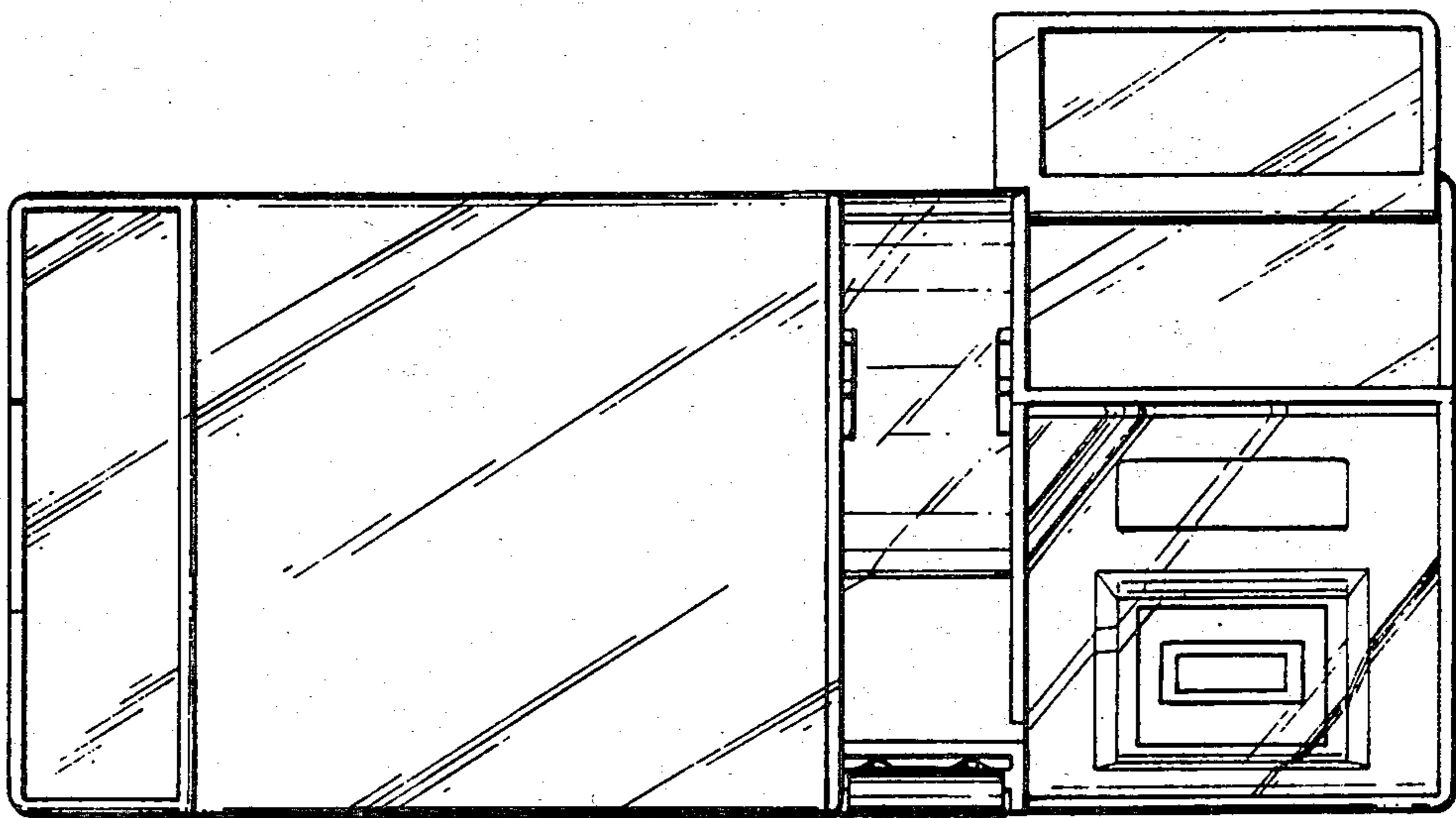


FIG. 1.

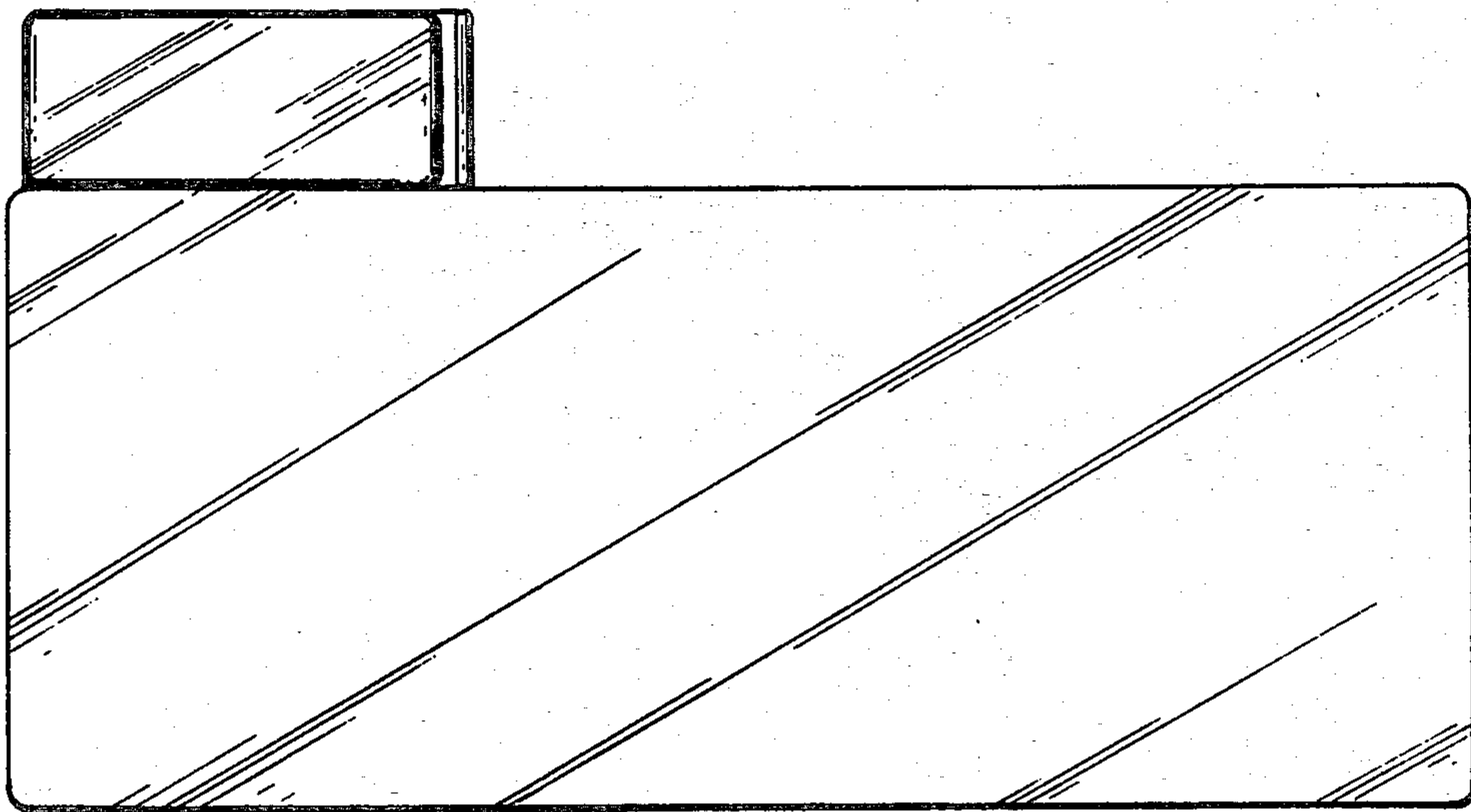


FIG. 2

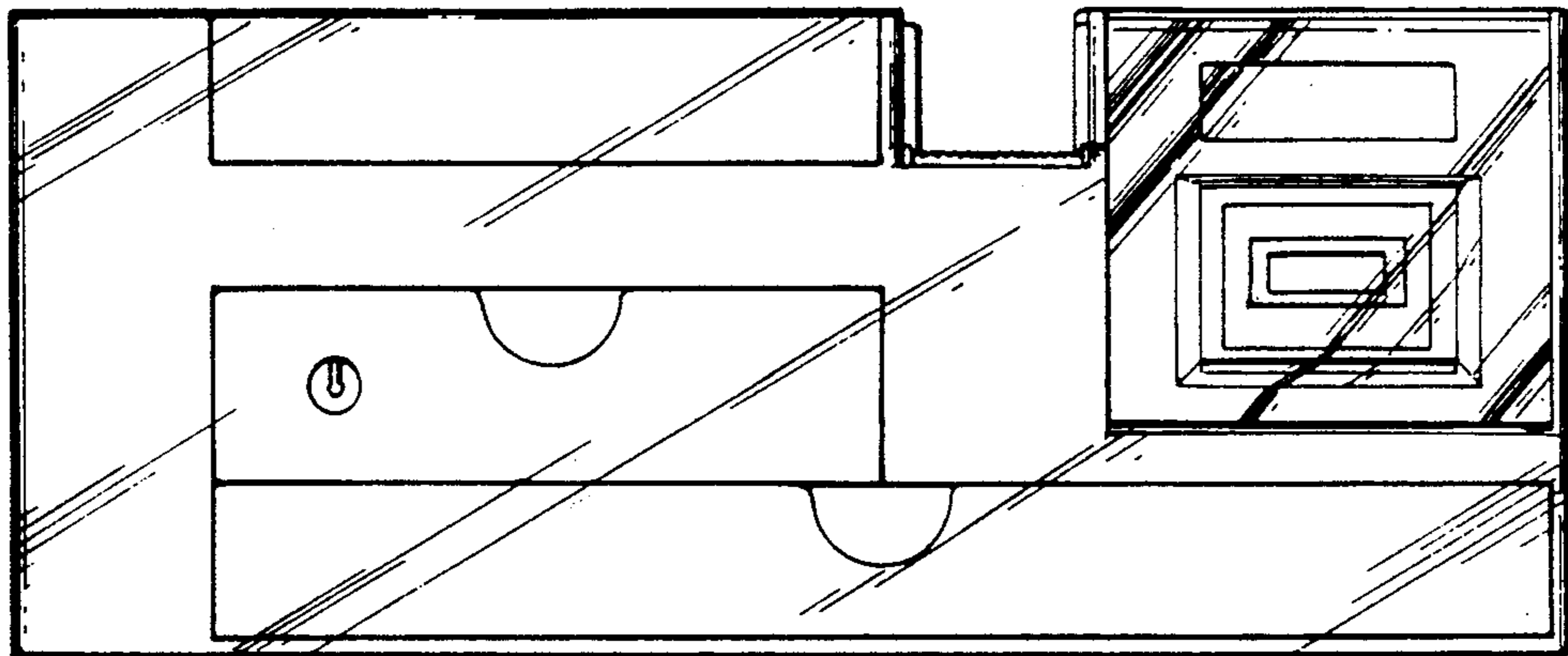


FIG. 3.

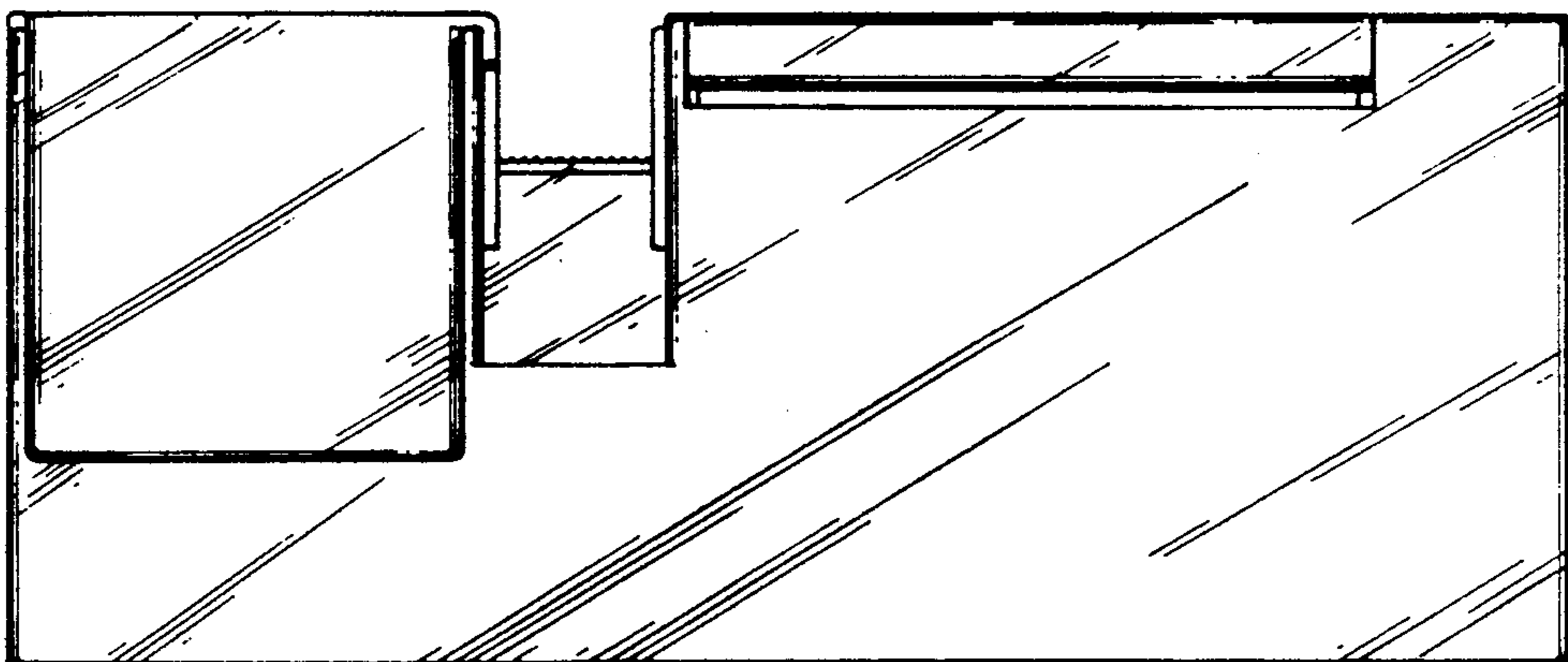


FIG. 4.

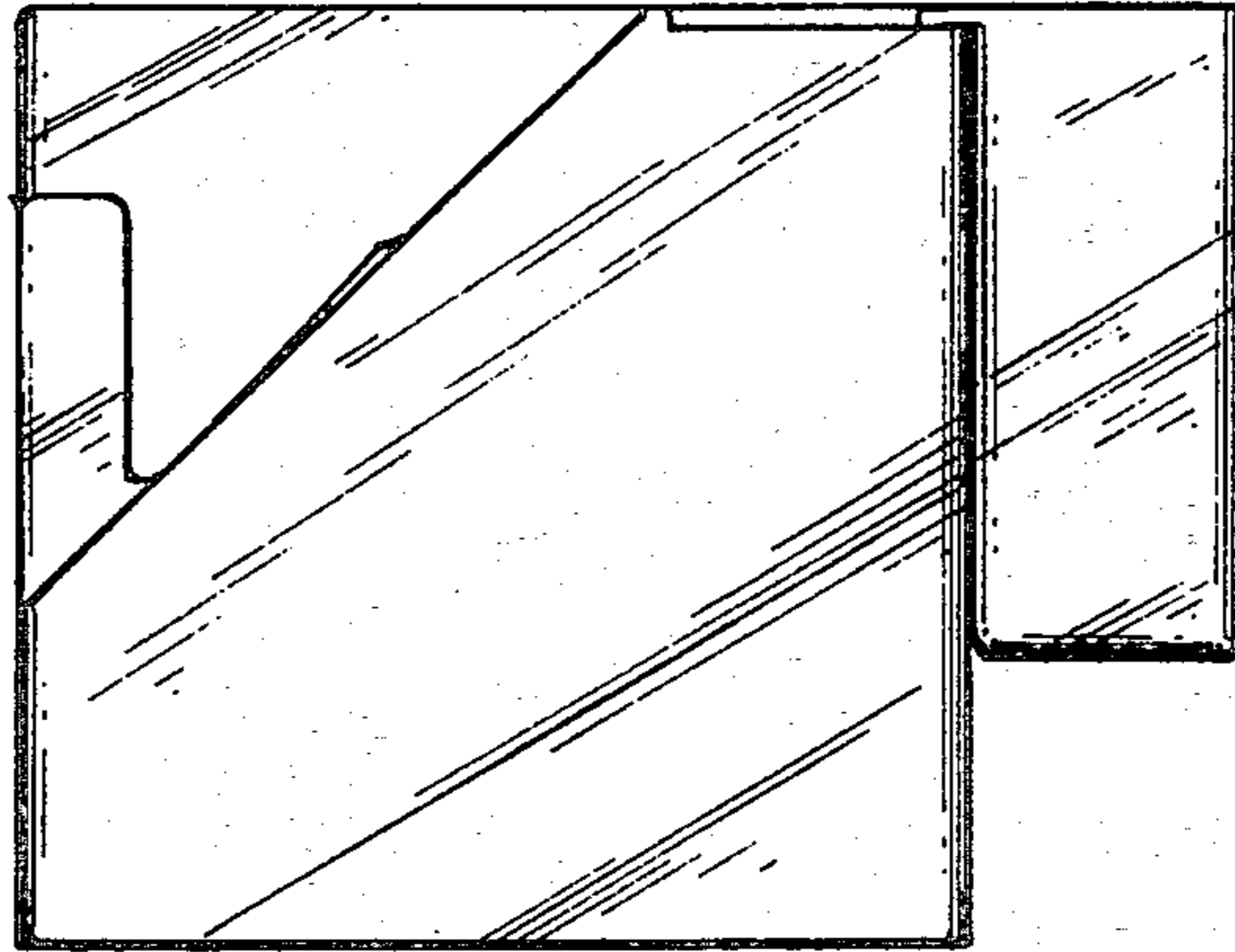


FIG. 5.

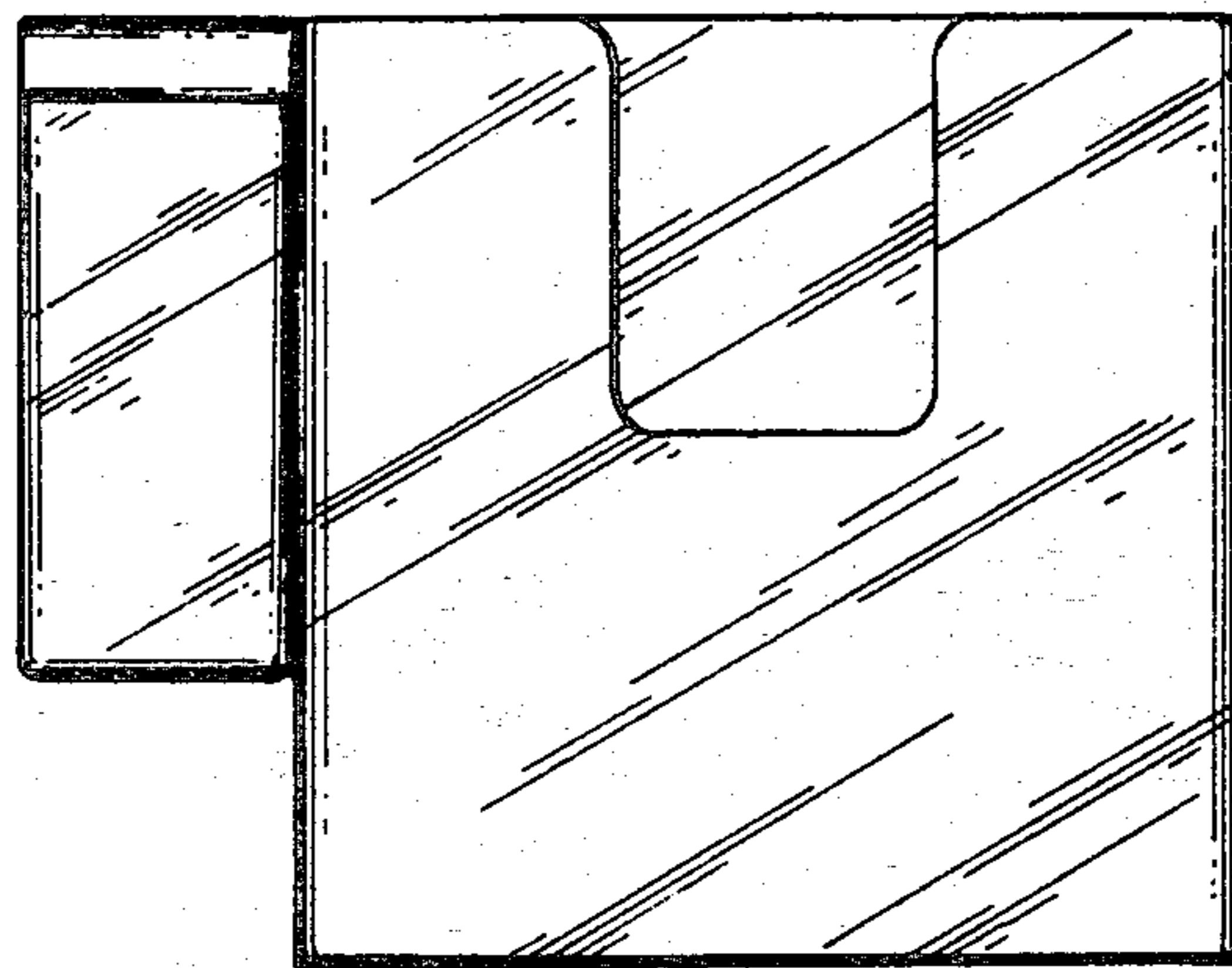


FIG. 6.

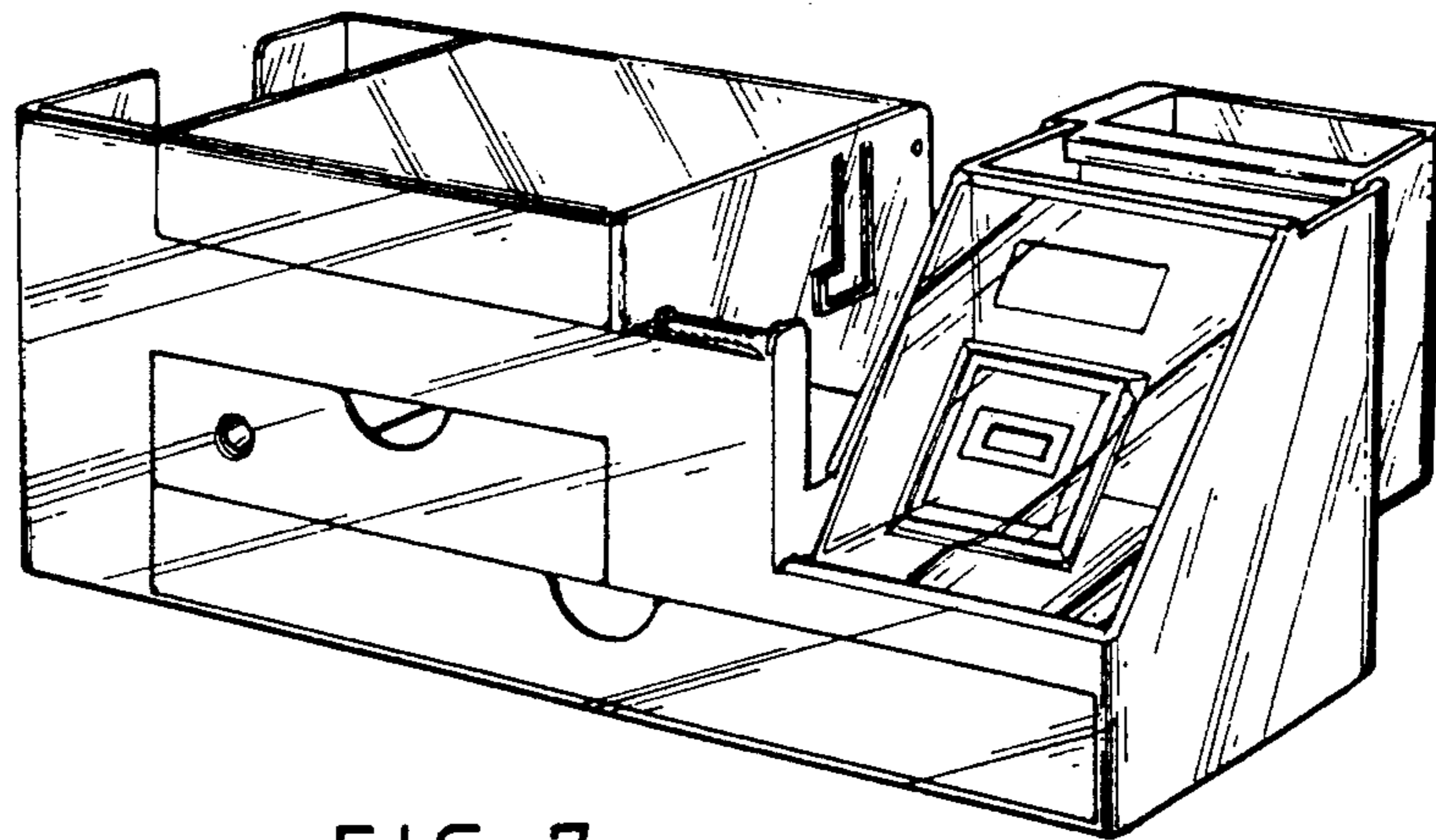


FIG. 7.

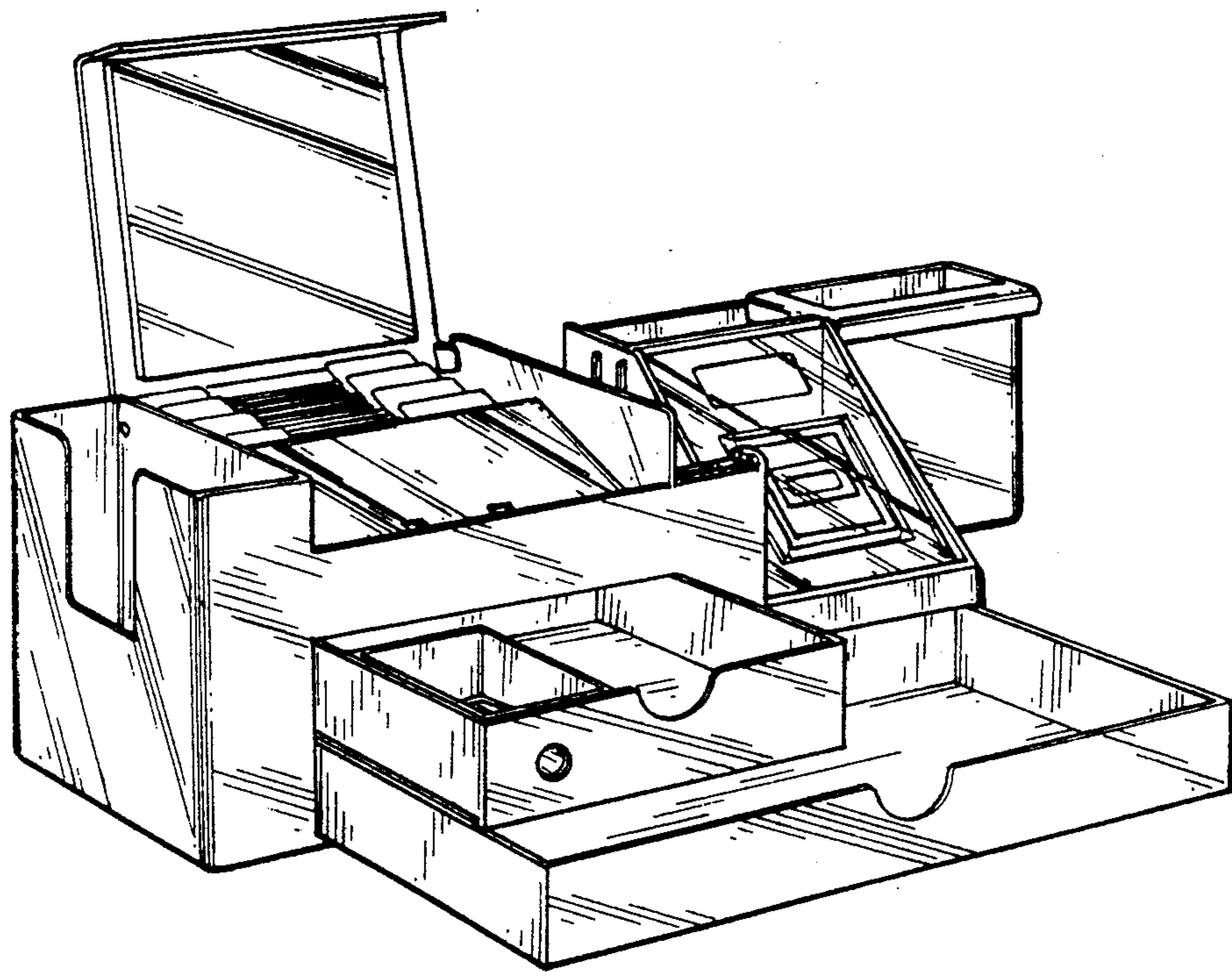


FIG. 8.