

United States Patent [19]

Zucker

[11] Patent Number: **Des. 290,266**

[45] Date of Patent: **** Jun. 9, 1987**

[54] **TAPE DISPENSER**

[75] Inventor: **Richard G. Zucker, New York, N.Y.**

[73] Assignee: **Jonathan Bradley Pens, Inc., Long Island City, N.Y.**

[**] Term: **14 Years**

[21] Appl. No.: **665,648**

[22] Filed: **Oct. 29, 1984**

[52] U.S. Cl. **D19/69**

[58] Field of Search **D19/67, 69; 225/77, 225/90**

[56] **References Cited**

U.S. PATENT DOCUMENTS

D. 125,560	3/1941	Cheney	D19/69
D. 127,388	5/1941	Reinecke	D19/69
D. 146,277	1/1947	Dailey	D19/69
D. 186,920	12/1959	Michael	D19/69
D. 246,659	12/1977	Vailati	D19/69
D. 274,825	7/1984	Lissoni	D19/69

2,305,592	12/1942	Anderson	225/77 X
2,526,494	10/1950	McNeil	225/90 X
2,540,697	2/1951	Staples	225/77 X
3,690,528	9/1972	O'Connor	225/77 X

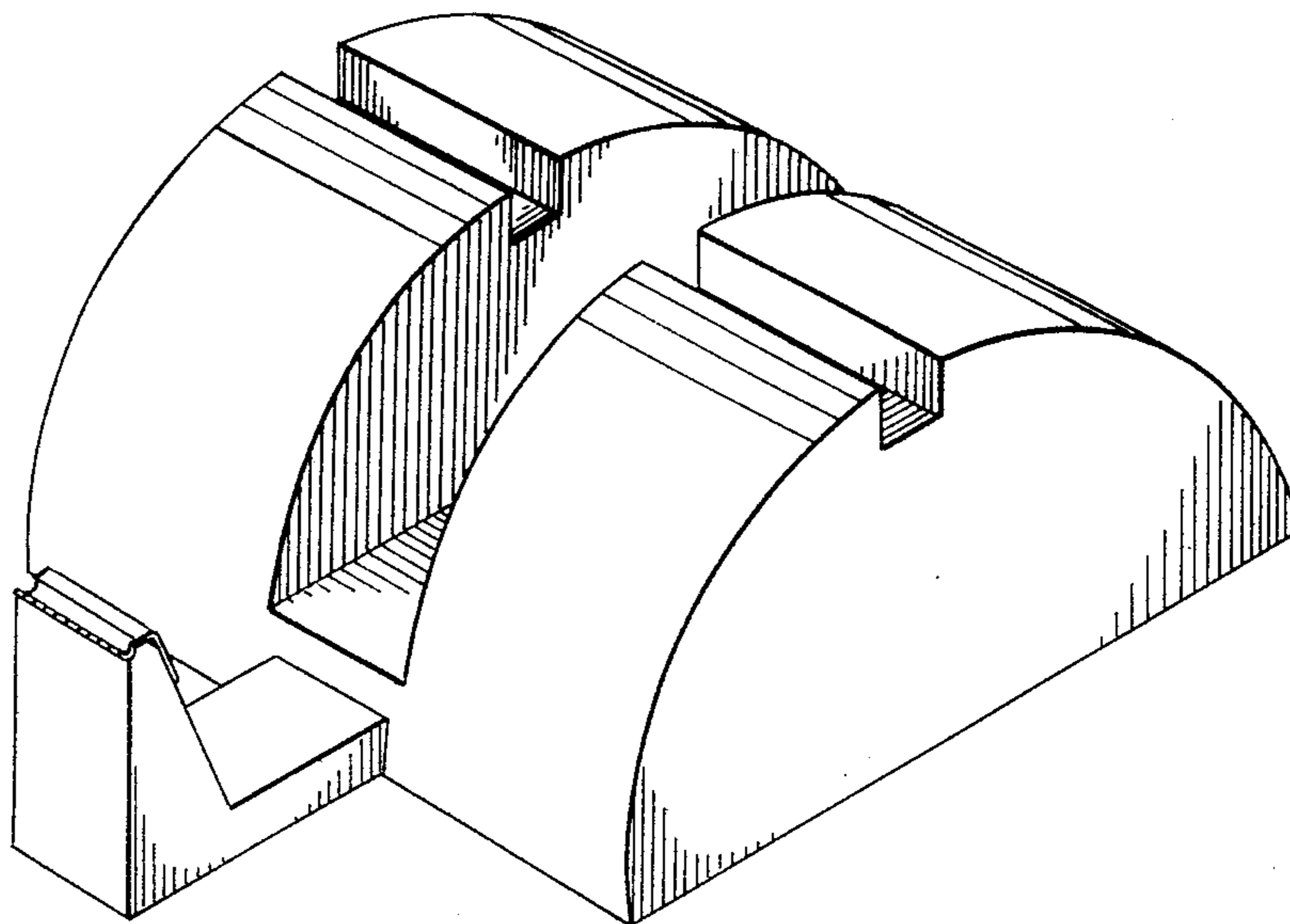
Primary Examiner—Nelson C. Holtje
Attorney, Agent, or Firm—Salter & Michaelson

[57] **CLAIM**

The ornamental design for a tape dispenser, substantially as shown and described.

DESCRIPTION

FIG. 1 is a top and right front perspective view of a tape dispenser showing my new design;
FIG. 2 is a right side elevational view thereof, the left side being a mirror image thereto, the broken-line showing of a roll of tape being environmental only and forms no part of the claimed design.
FIG. 3 is a top plan view thereof;
FIG. 4 is a front elevational view thereof;
FIG. 5 is a rear elevational view thereof; and
FIG. 6 is a bottom plan view thereof.



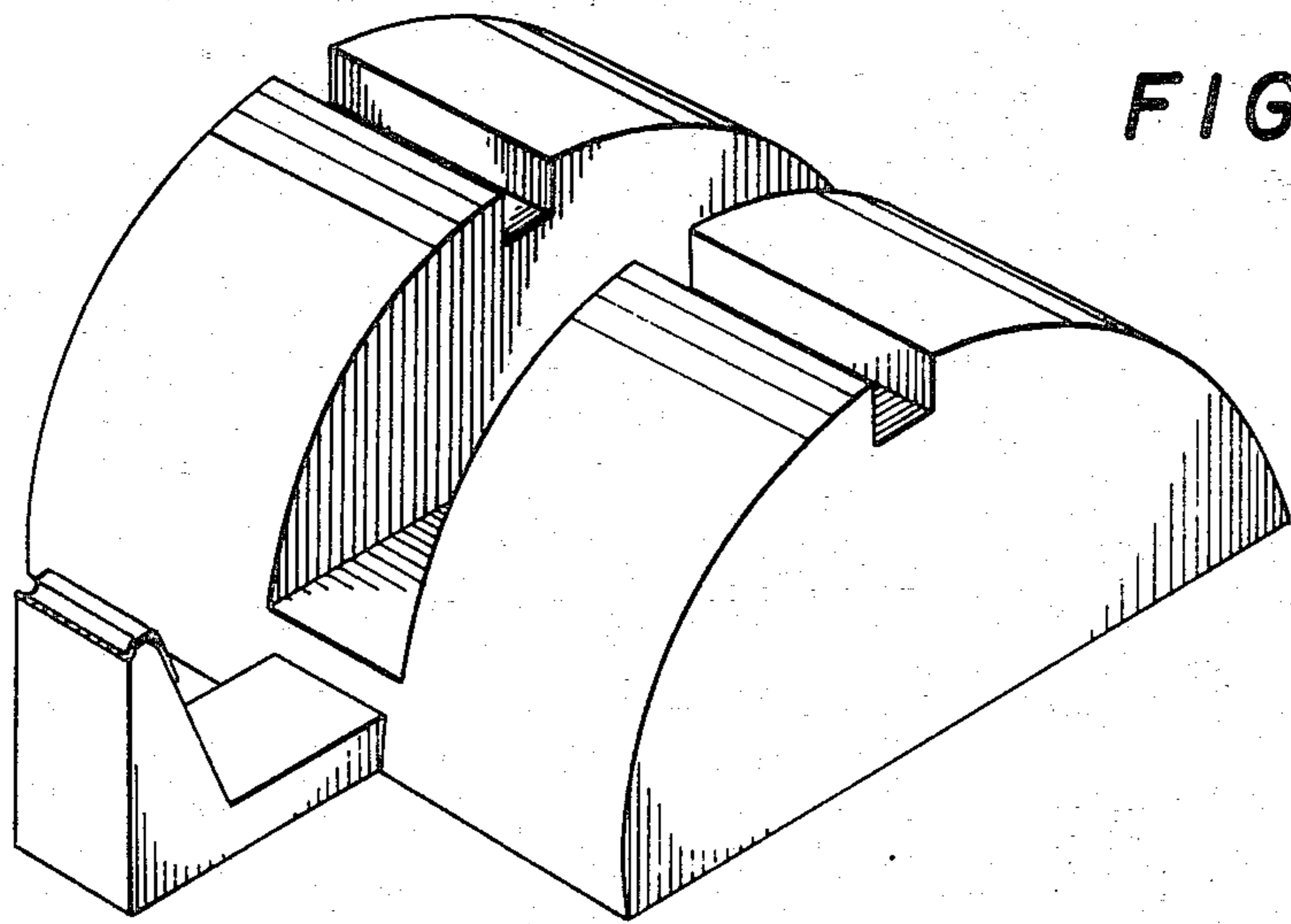


FIG. 1

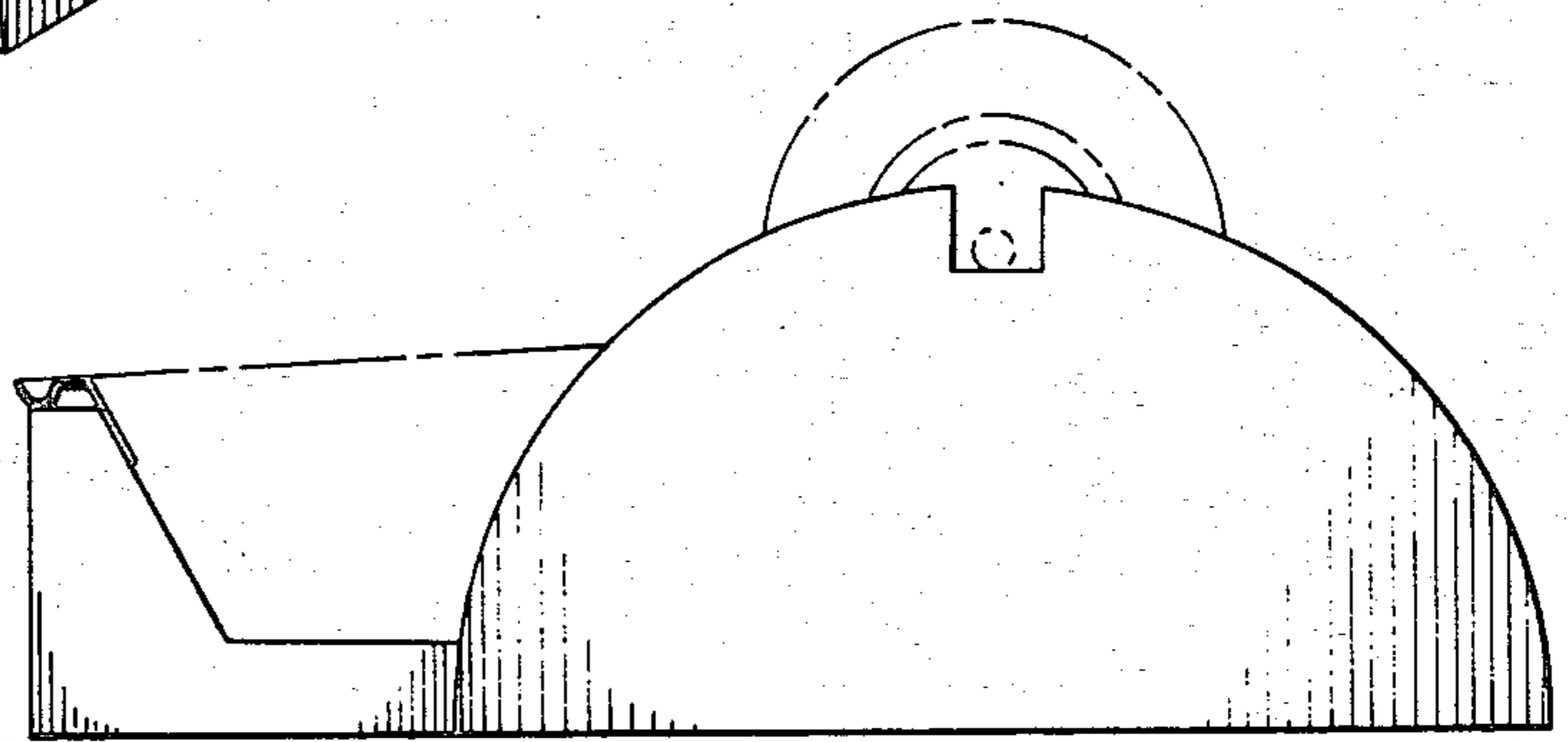


FIG. 2

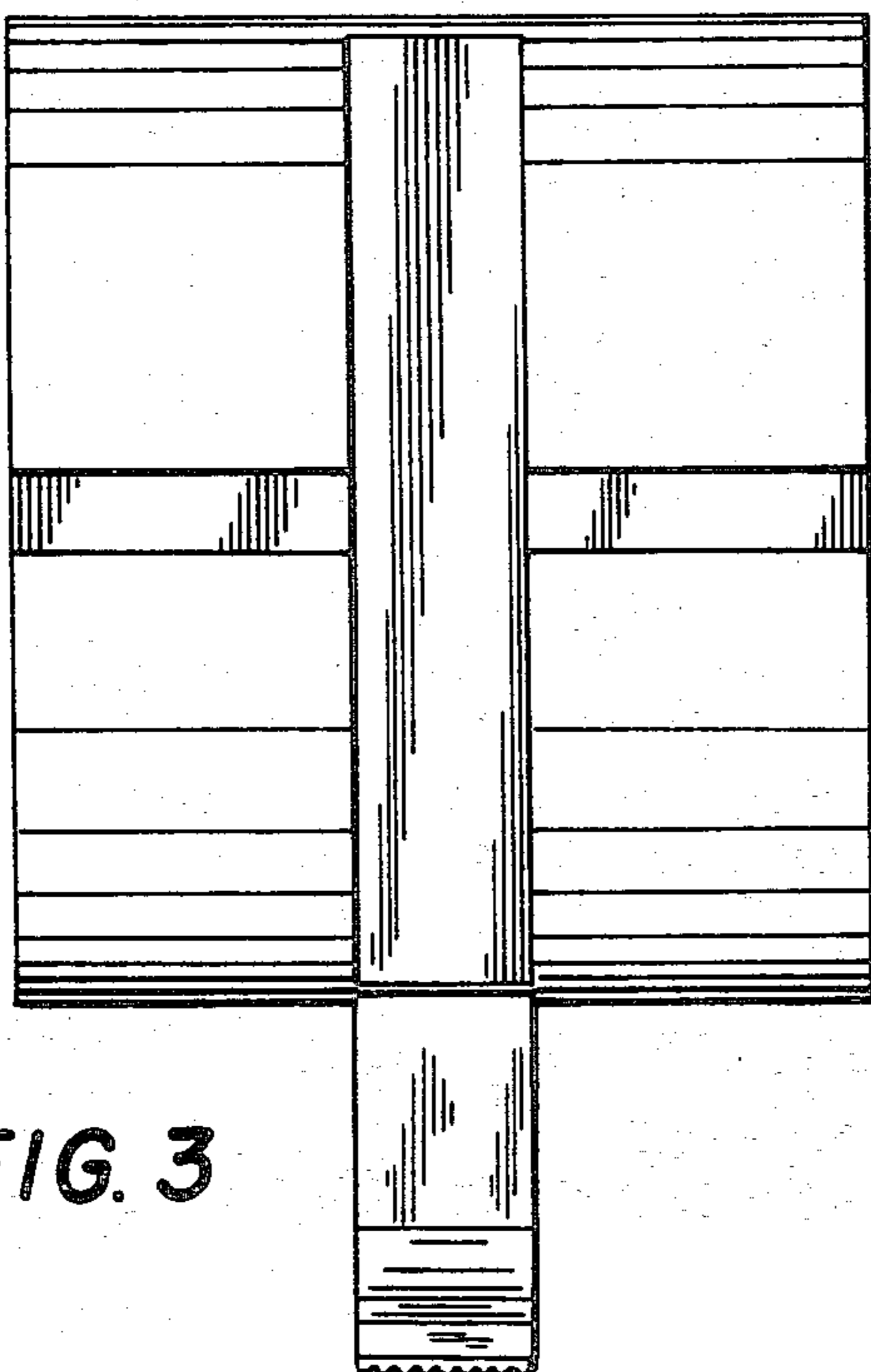


FIG. 3

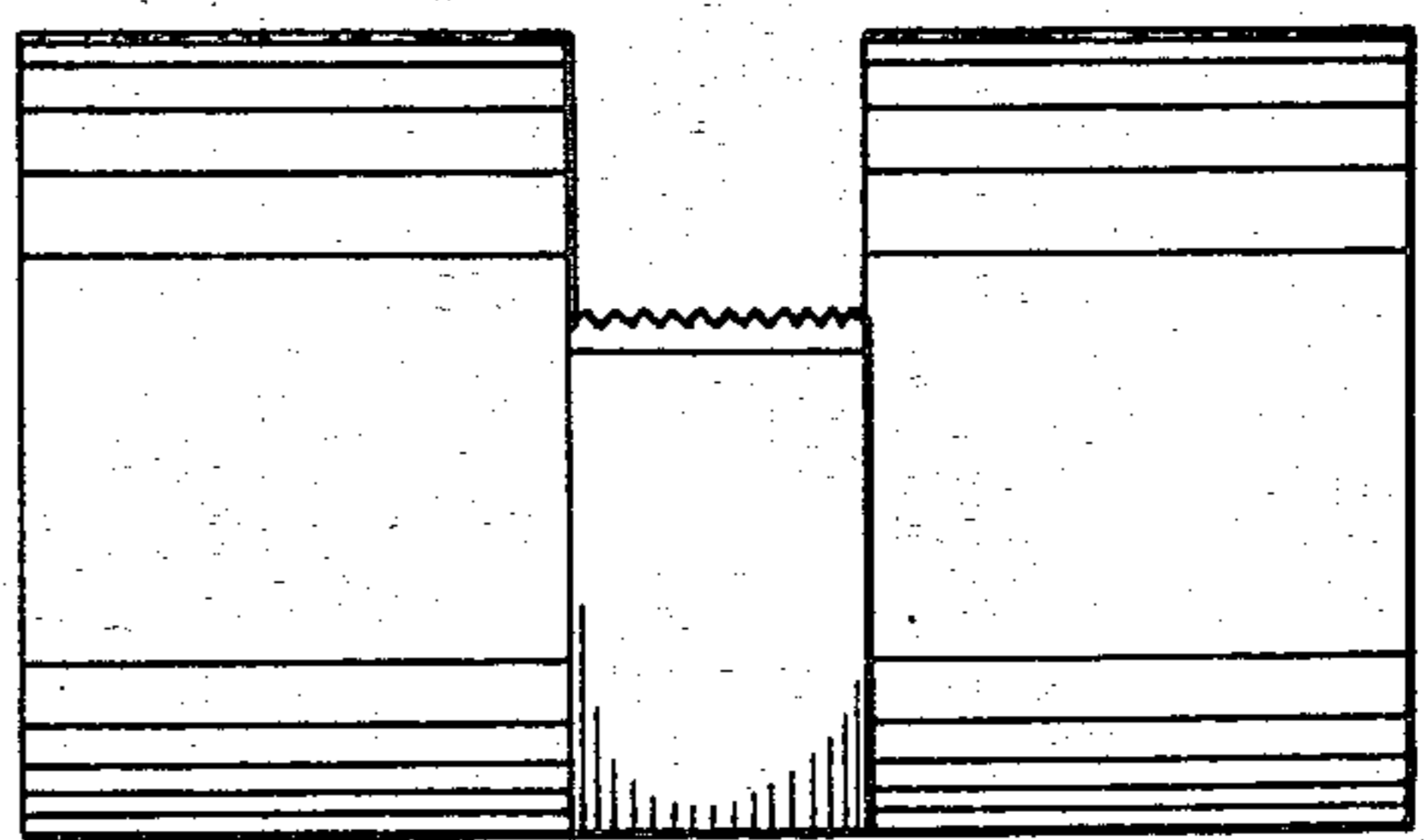


FIG. 4

FIG. 5

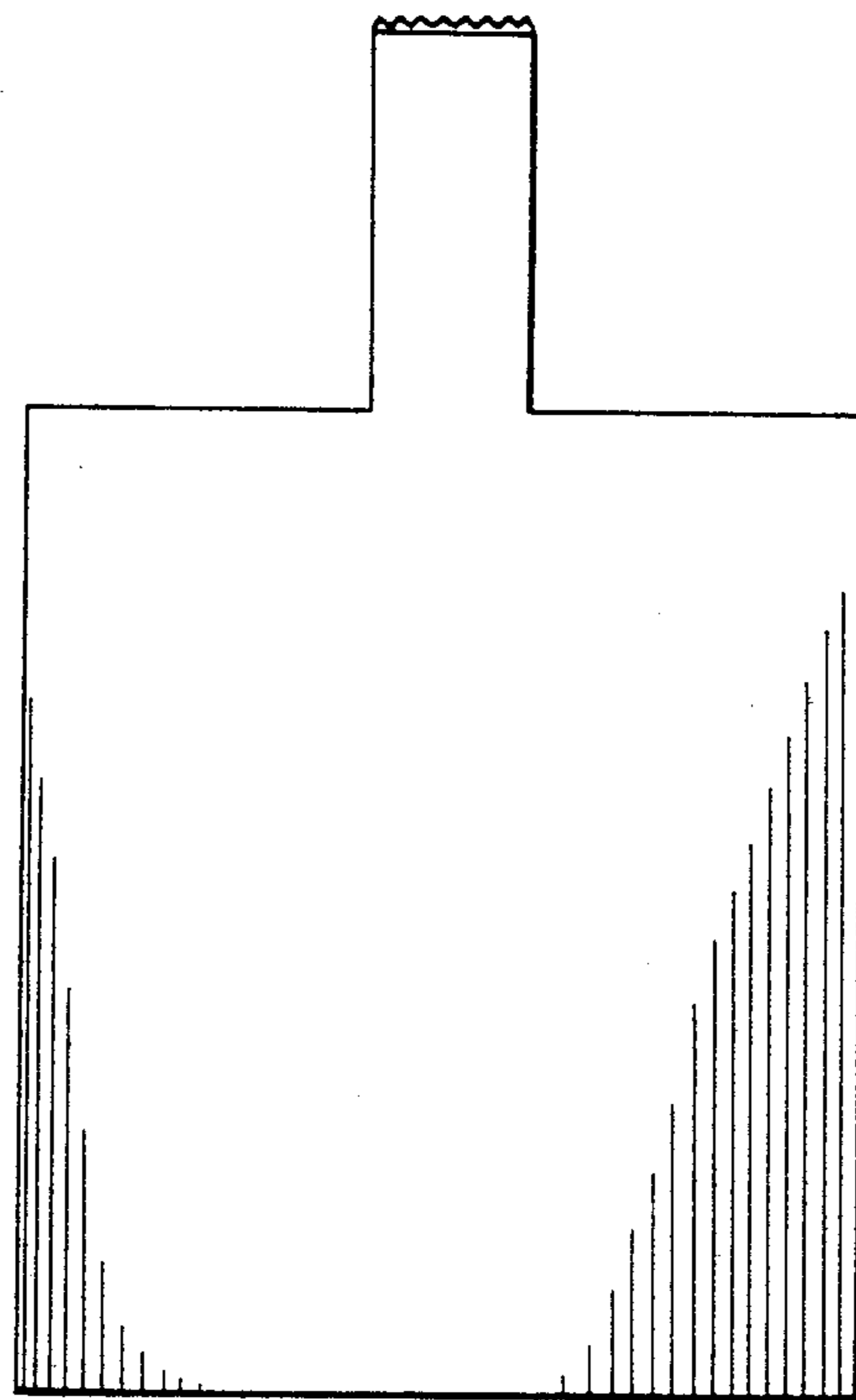
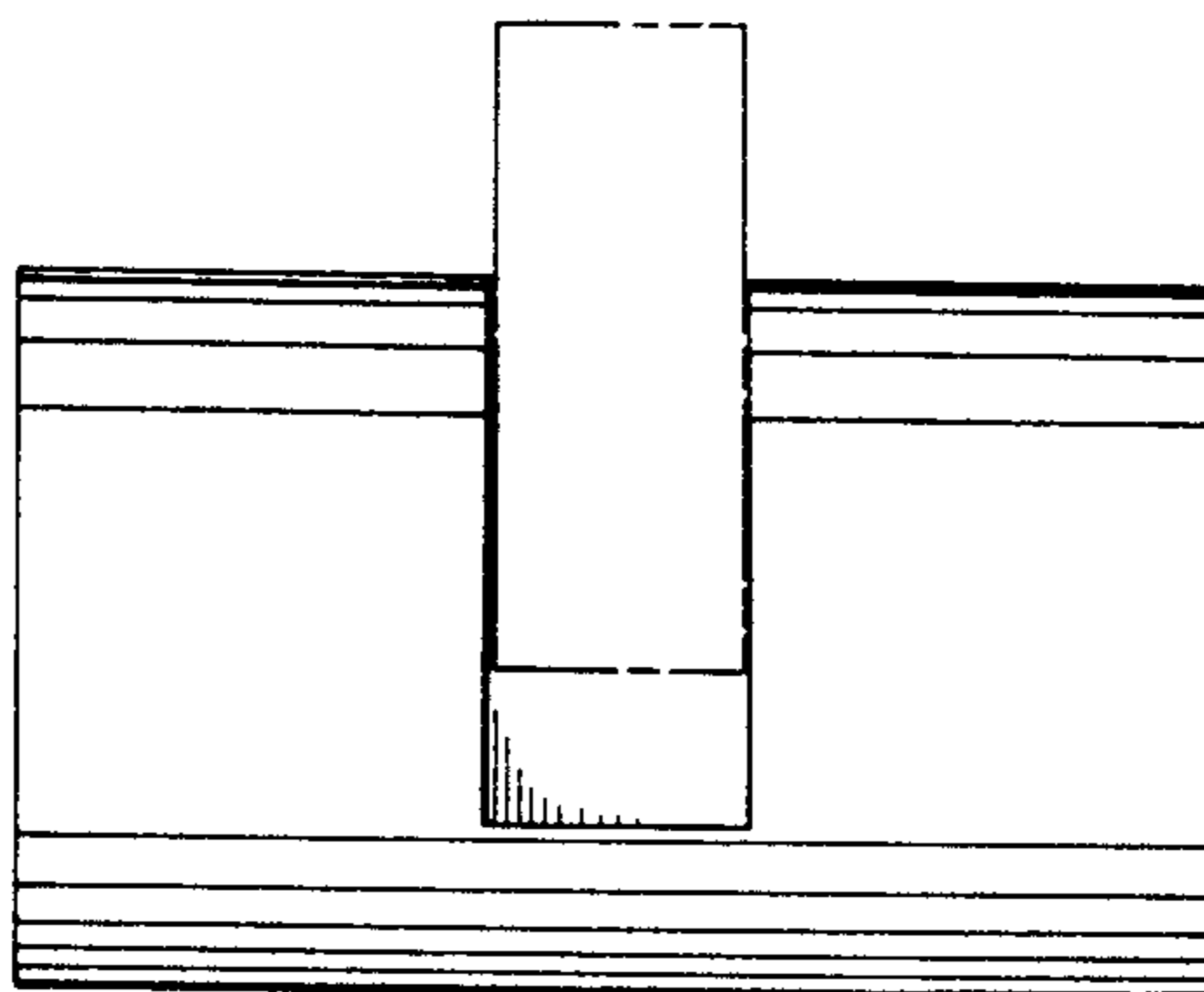


FIG. 6