

United States Patent [19]

Overman et al.

[11] Patent Number: **Des. 290,264**

[45] Date of Patent: **** Jun. 9, 1987**

[54] **MICROFILM READER**

[75] Inventors: **John W. Overman**, Sun City, Ariz.;
Thomas R. Wells, Indian Creek, Ill.

[73] Assignee: **Bell & Howell Company**, Chicago, Ill.

[**] Term: **14 Years**

[21] Appl. No.: **685,183**

[22] Filed: **Dec. 21, 1984**

[52] U.S. Cl. **D16/11; D16/14**

[58] Field of Search **D16/2, 11, 14-15,**
D16/17-18; 353/79, 27 R, 119, 44, DIG. 3;
40/361-367

[56] **References Cited**

U.S. PATENT DOCUMENTS

D. 197,613 3/1964 Hoppmann D16/15
D. 266,429 10/1982 Overman D16/11
2,258,382 10/1941 Goebel 353/79

2,712,266 7/1955 Cherouvrier 353/79 X
3,357,769 12/1967 Thompson 353/44 X
4,312,578 1/1982 Wells 353/79
4,618,232 10/1986 Wells 353/79

FOREIGN PATENT DOCUMENTS

812731 9/1951 Fed. Rep. of Germany 40/361

Primary Examiner—Nelson C. Holtje

Attorney, Agent, or Firm—Neal C. Johnson

[57] **CLAIM**

The ornamental design for a microfilm reader, as shown and described.

DESCRIPTION

FIG. 1 is a top and right front perspective view of a microfilm reader showing our new design; FIG. 2 is a left side elevational view thereof; FIG. 3 is a rear elevational view thereof; FIG. 4 is a top plan view thereof; and FIG. 5 is a bottom plan view thereof.

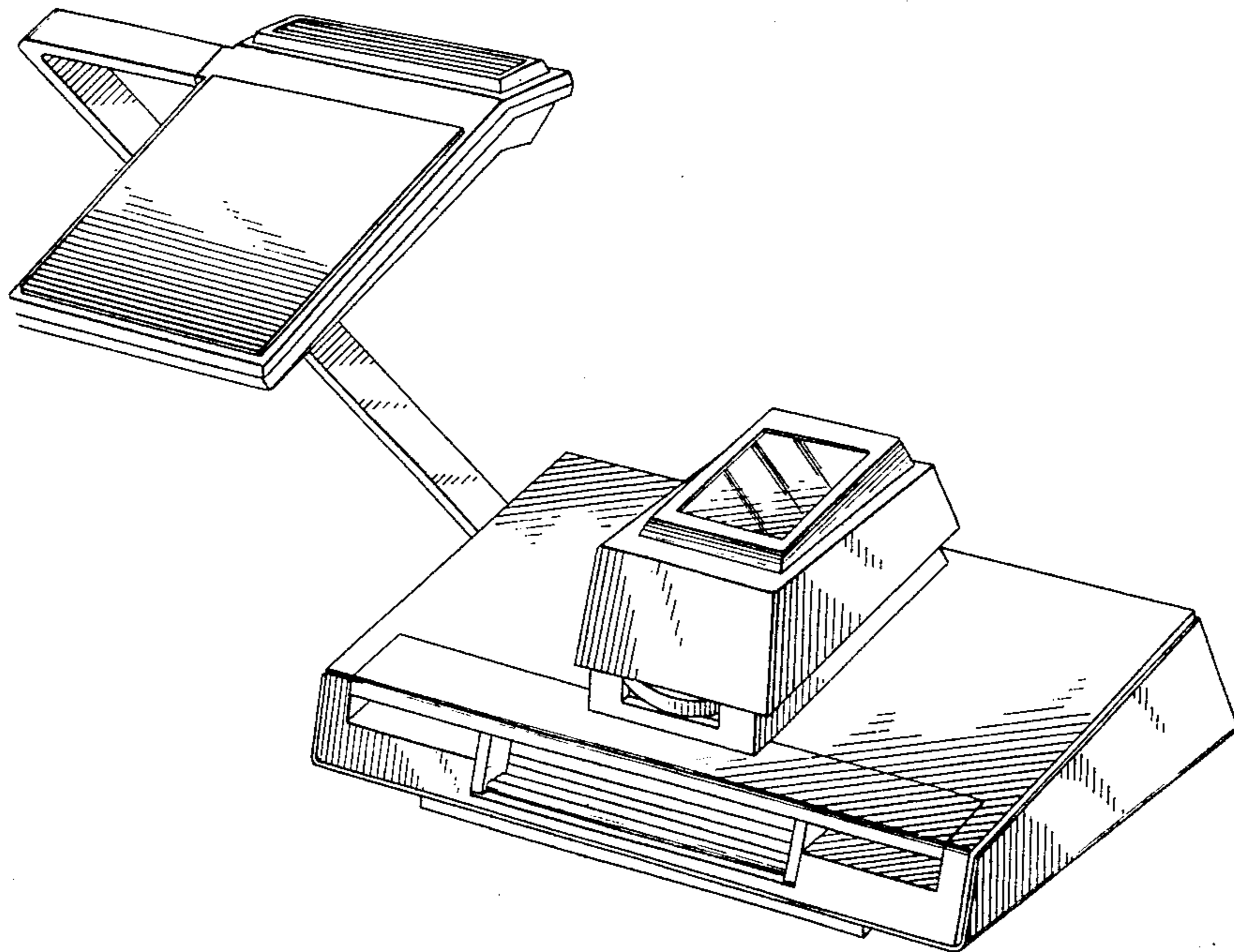


Fig. 1.

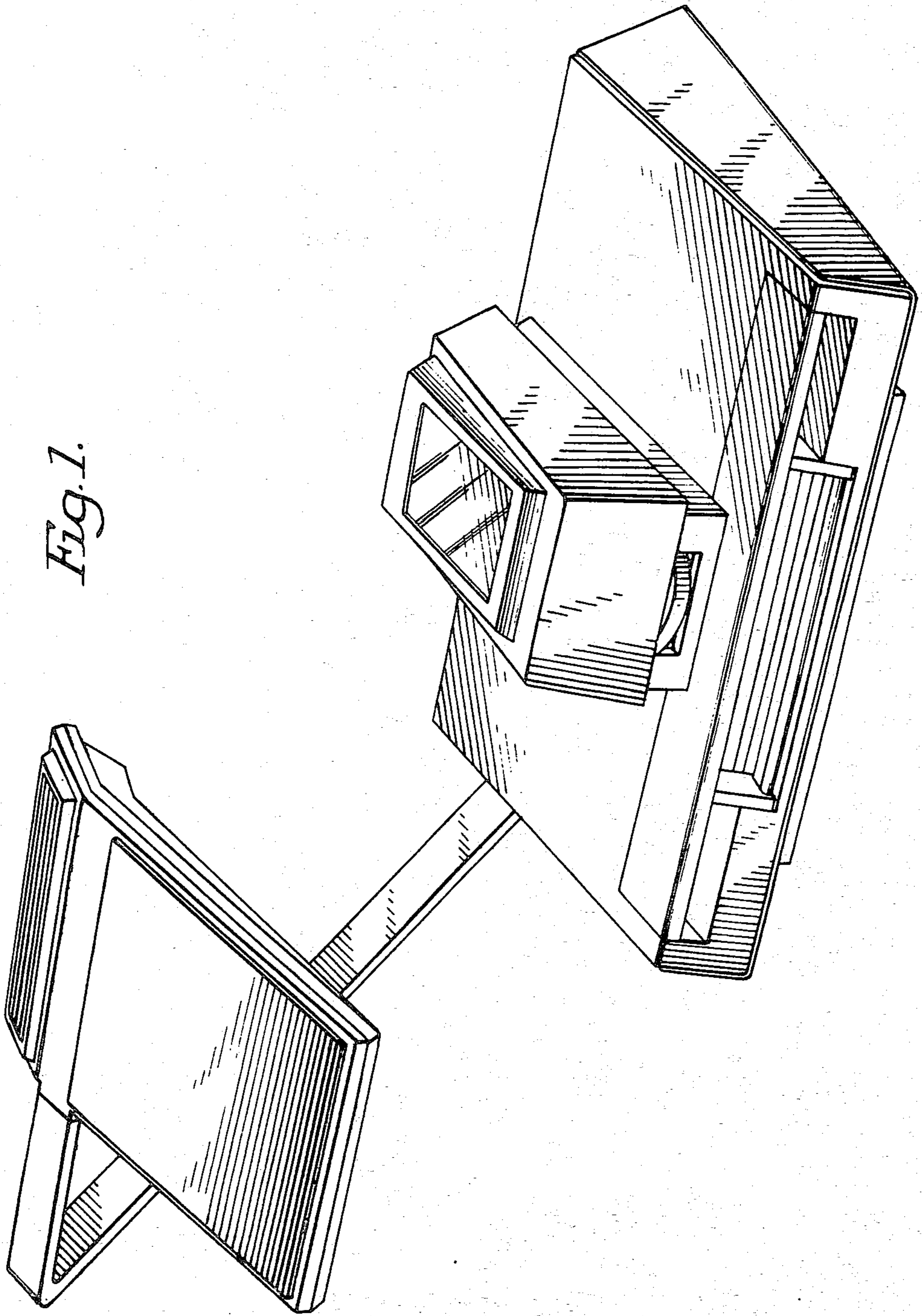


Fig. 3.

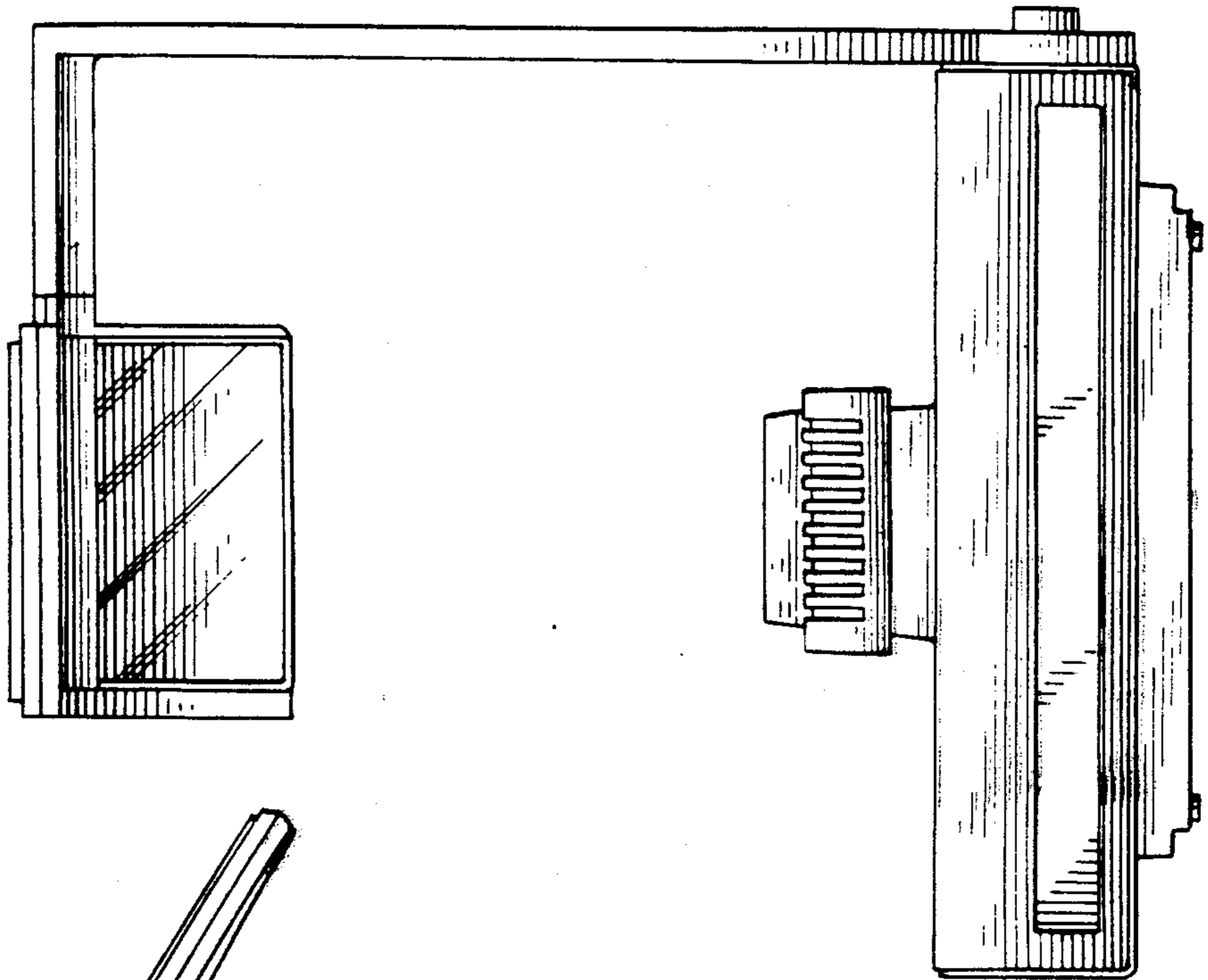


Fig. 2.

