

# United States Patent [19]

Uchida

[11] Patent Number: **Des. 290,261**

[45] Date of Patent: **\*\* Jun. 9, 1987**

[54] SEWING MACHINE

[75] Inventor: **Koji Uchida, Hachioji, Japan**

[73] Assignee: **Janome Sewing Machine Co. Ltd.,  
Tokyo, Japan**

[\*\*] Term: **14 Years**

[21] Appl. No.: **584,092**

[22] Filed: **Feb. 27, 1984**

[52] U.S. Cl. .... **D15/69**

[58] Field of Search ..... **D15/70, 69; 112/63,  
112/258-261**

[56] **References Cited**

**U.S. PATENT DOCUMENTS**

- D. 223,866 6/1972 Yamamoto ..... D15/69
- D. 270,913 10/1983 Kosugi ..... D15/69
- D. 274,435 6/1984 Hanyu et al. .... D15/69 X
- D. 276,344 11/1984 La Police et al. .... D15/69

- 3,066,627 12/1962 Schlosser et al. .... 112/260
- 4,220,103 9/1980 Kasahara et al. .... 112/260
- 4,314,517 2/1982 Kasahara ..... 112/260
- 4,434,736 3/1984 Szostak et al. .... 112/258

*Primary Examiner*—George P. Word  
*Assistant Examiner*—Linda Titolo  
*Attorney, Agent, or Firm*—Michael J. Striker

[57] **CLAIM**

The ornamental design for a sewing machine, substantially as shown and described.

**DESCRIPTION**

FIG. 1 is a front elevational view of a sewing machine, showing my new design;  
FIG. 2 is a rear elevational view thereof;  
FIG. 3 is a left side elevational view thereof;  
FIG. 4 is a right side elevational view thereof;  
FIG. 5 is a top plan view thereof;  
FIG. 6 is a bottom plan view thereof; and  
FIG. 7 is a front perspective view thereof.

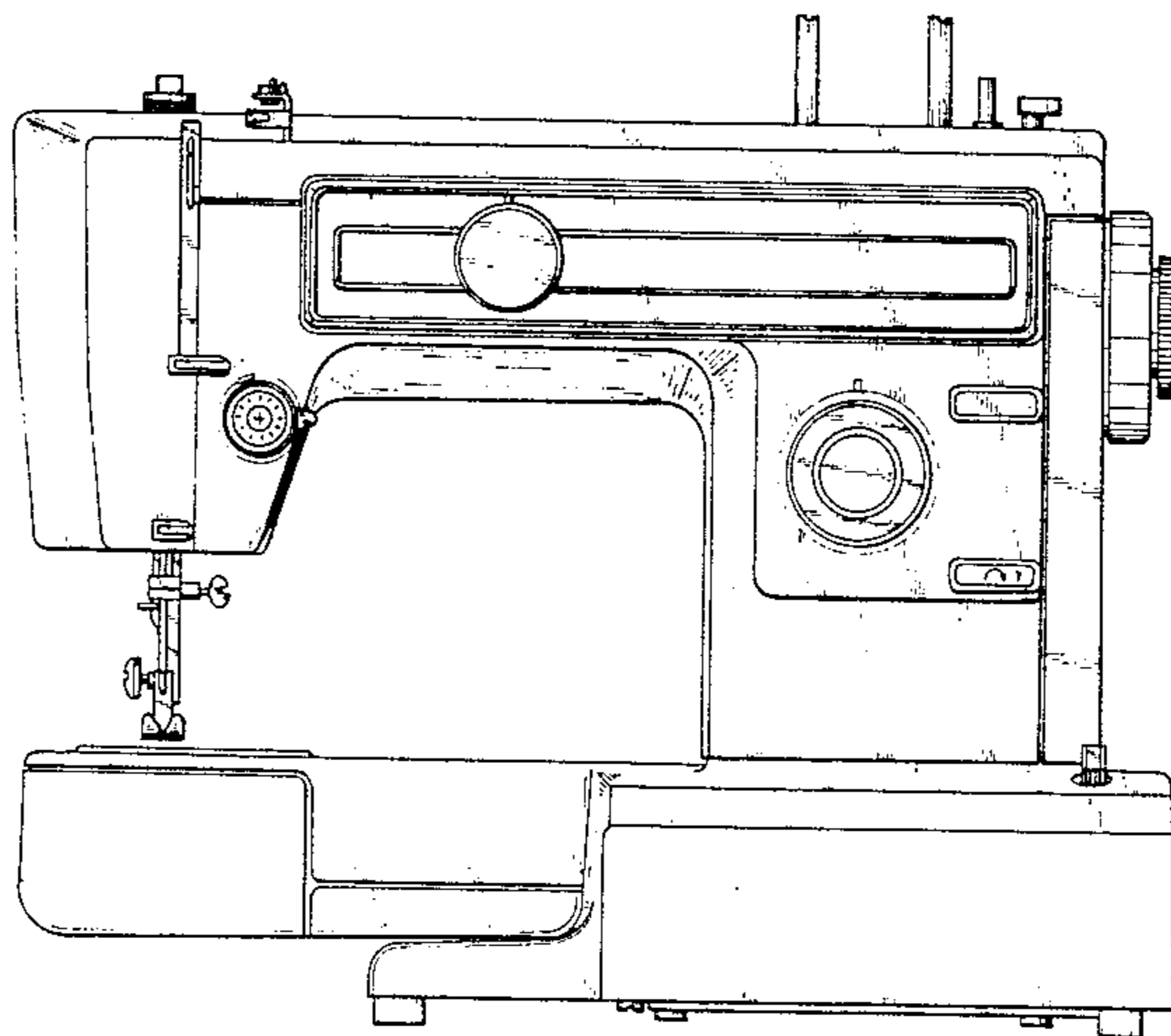


FIG. 1

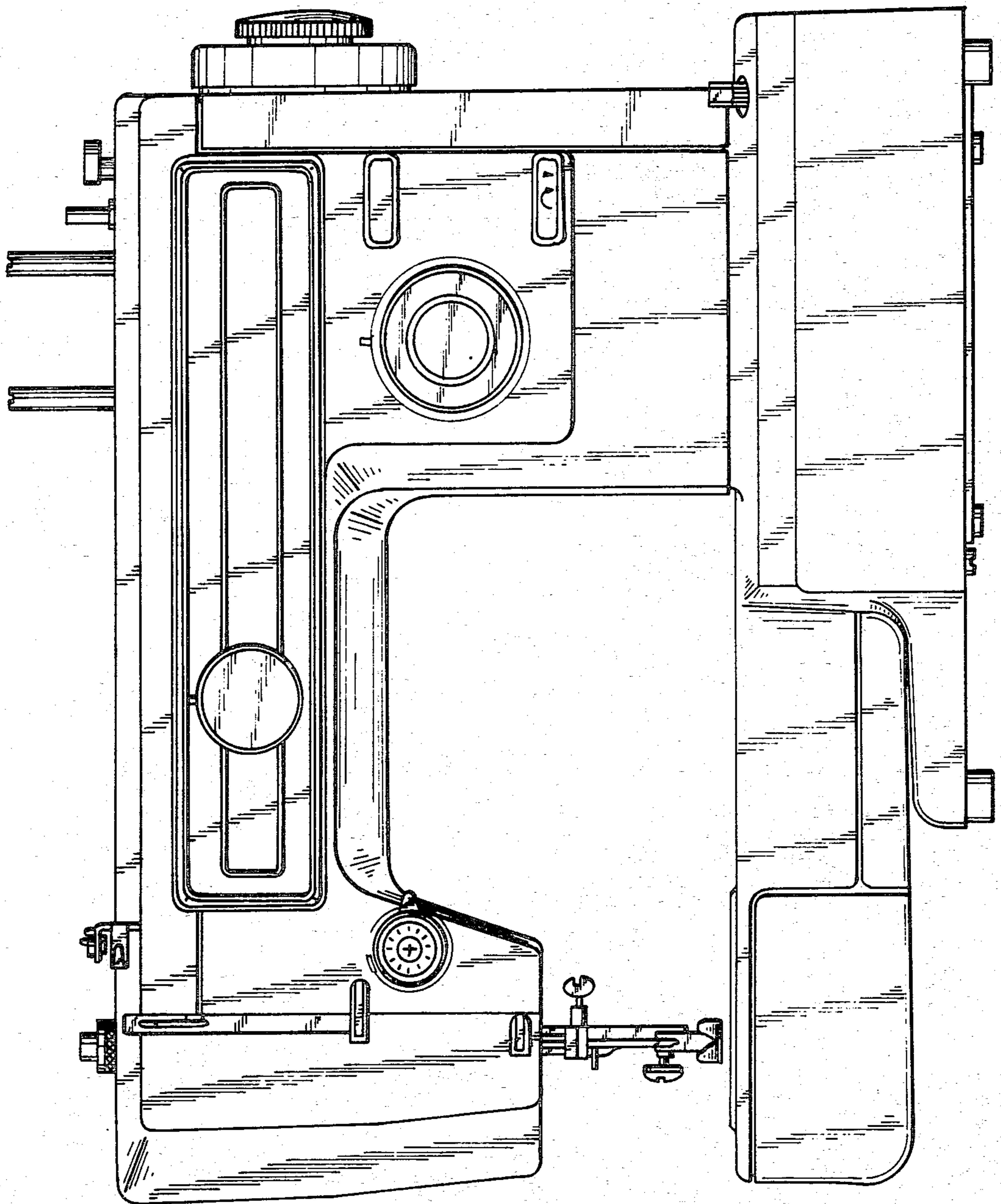


FIG. 2

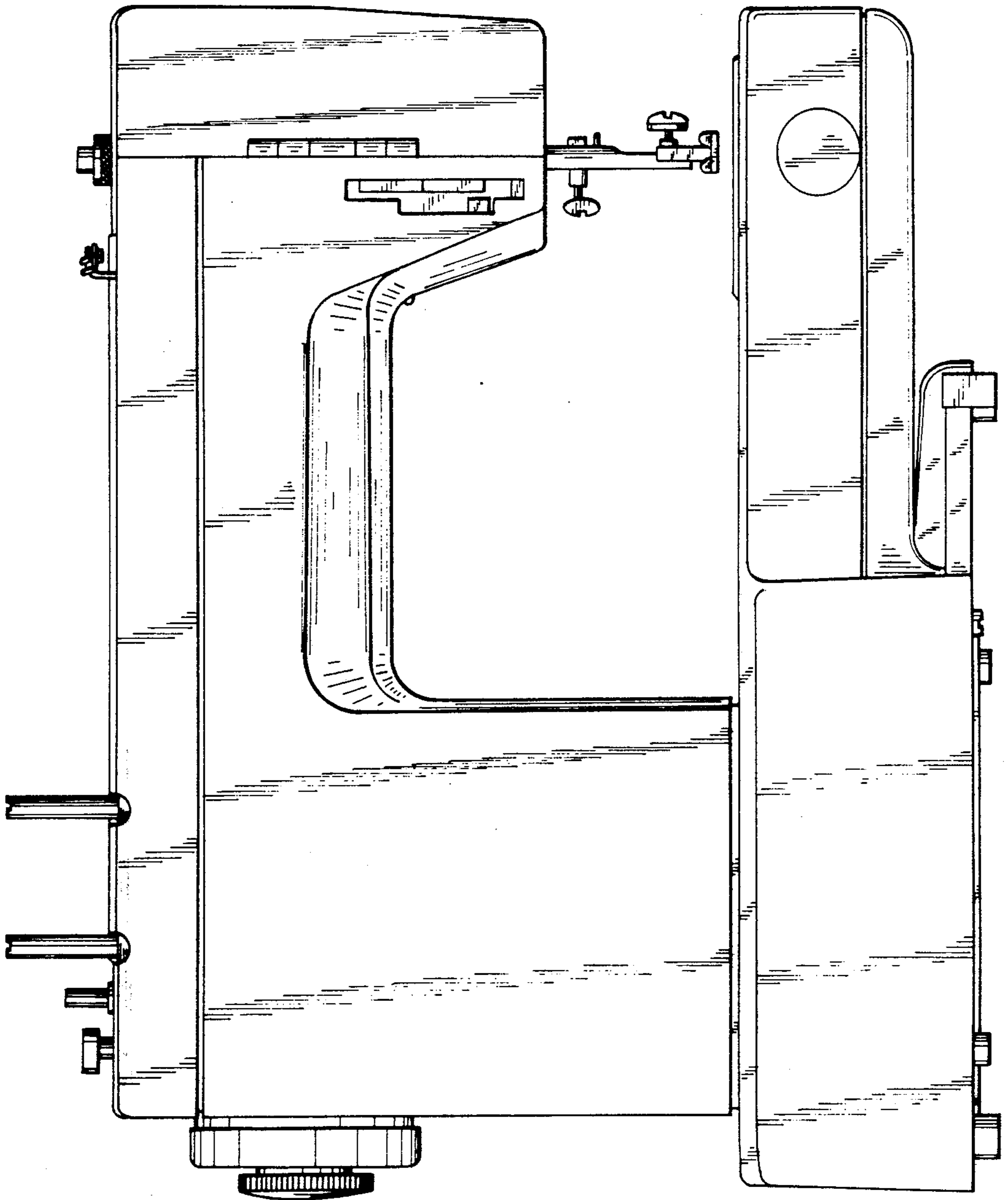


FIG. 3

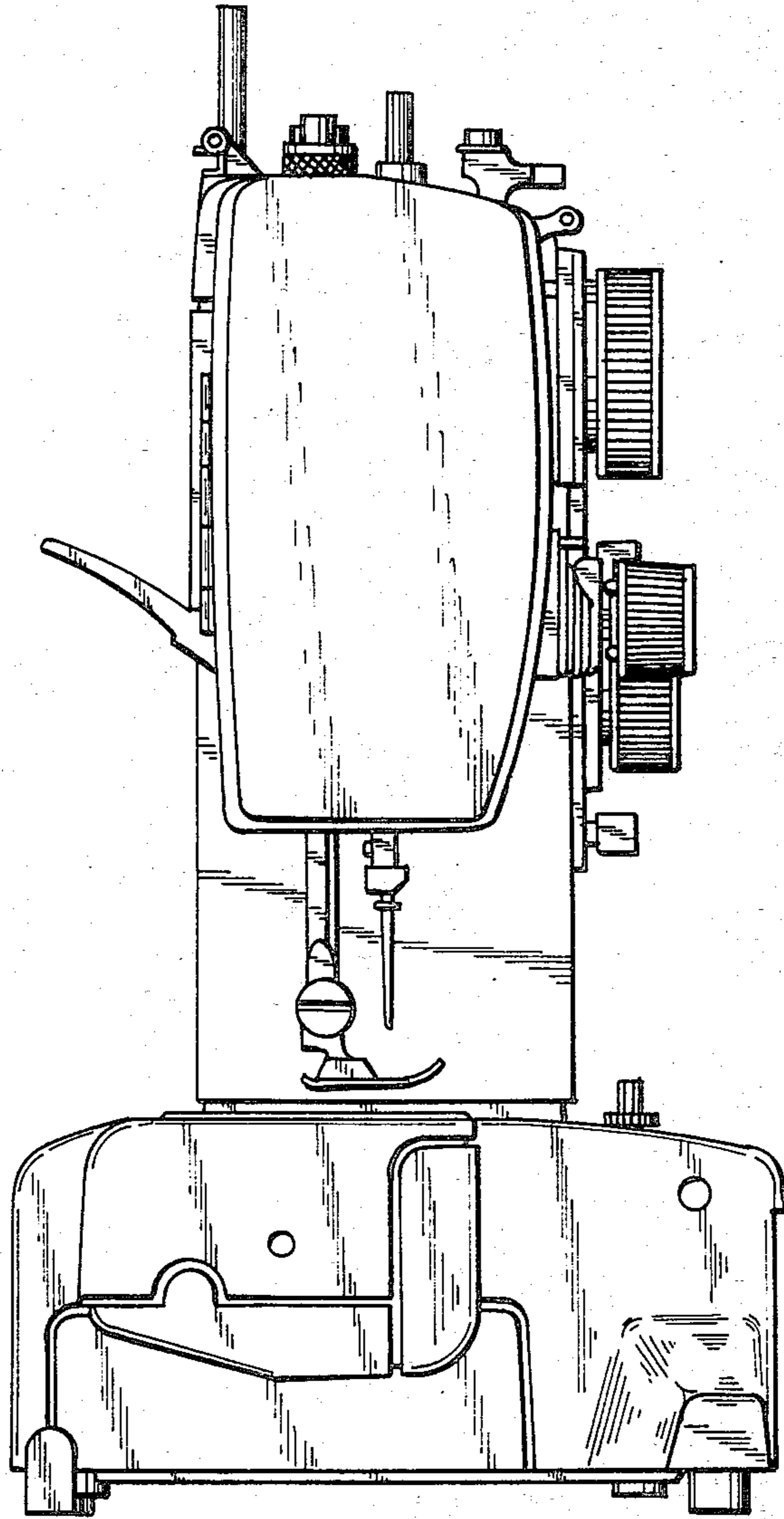


FIG. 4

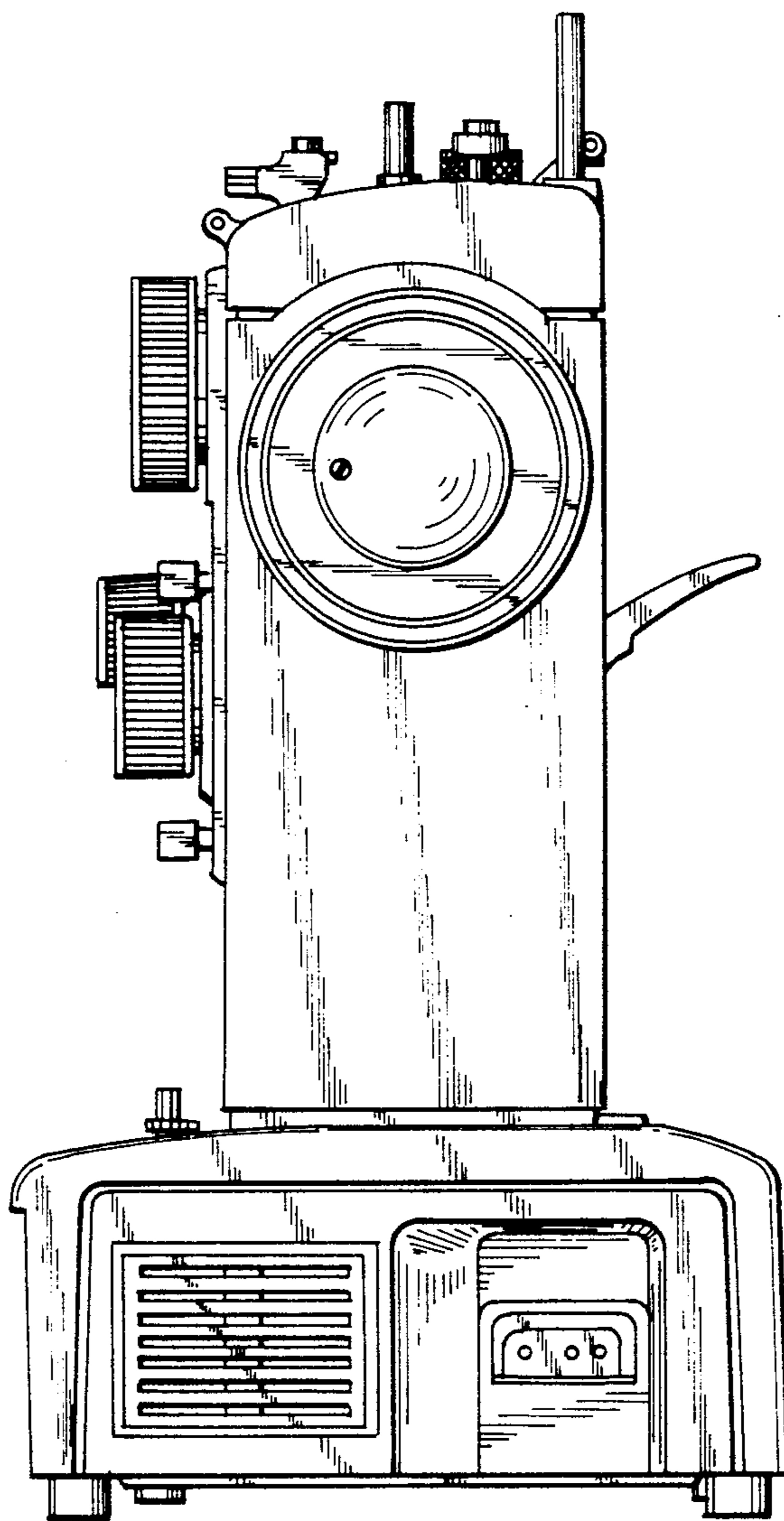


FIG. 5

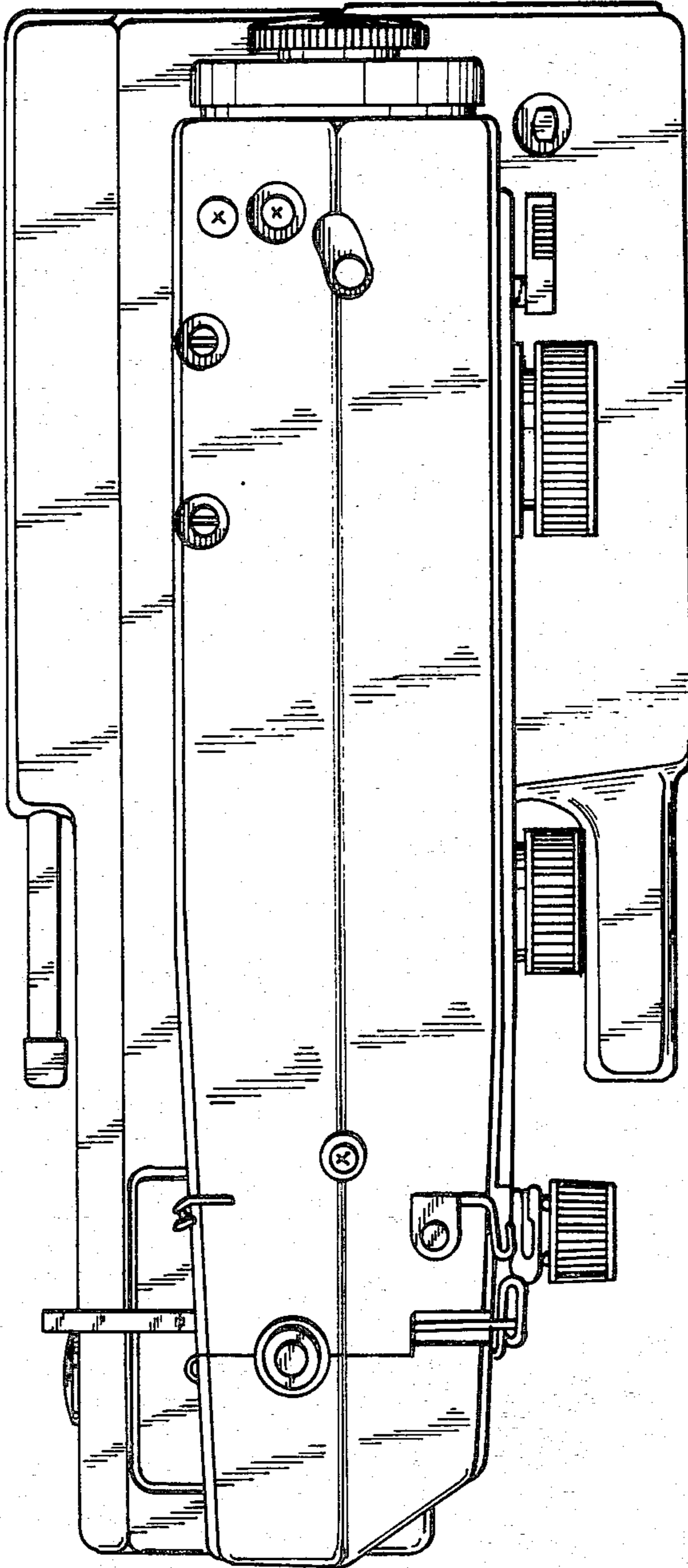
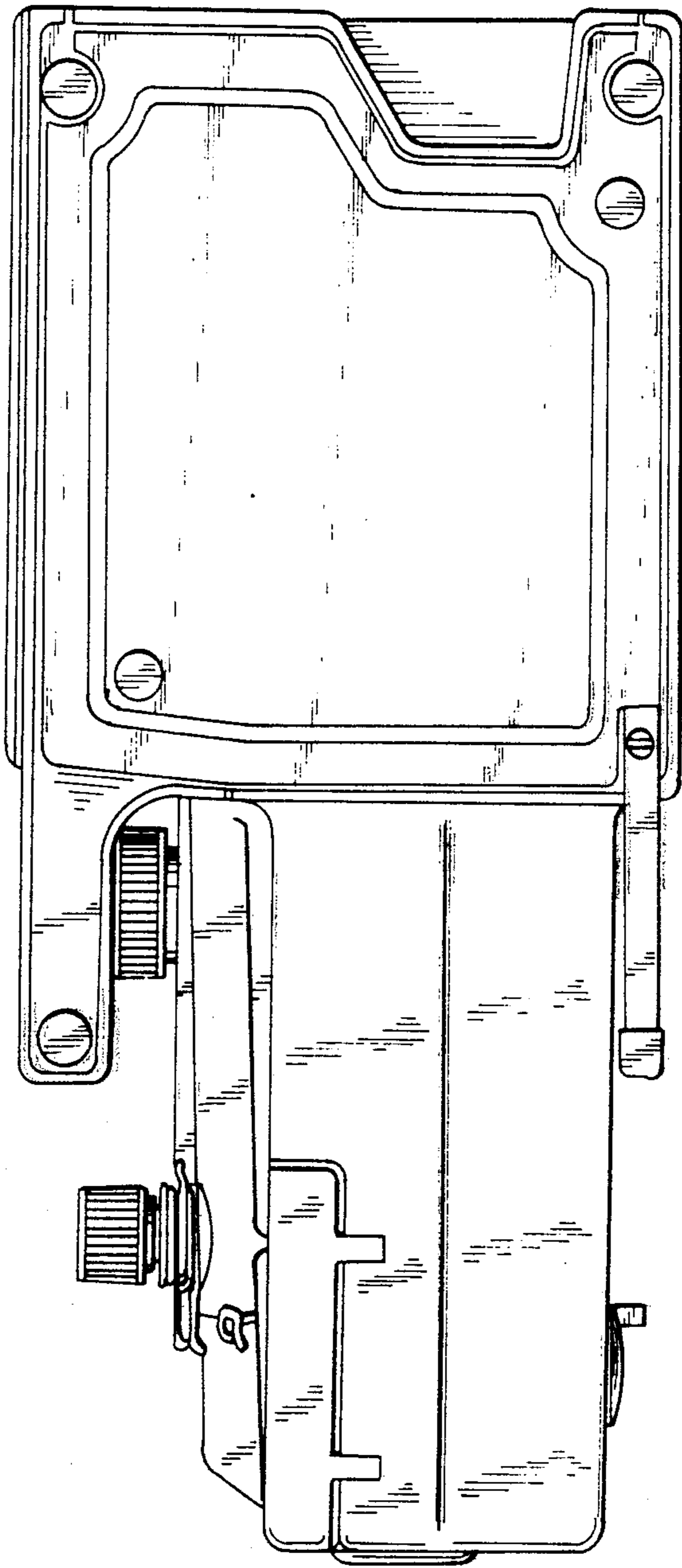


FIG. 6



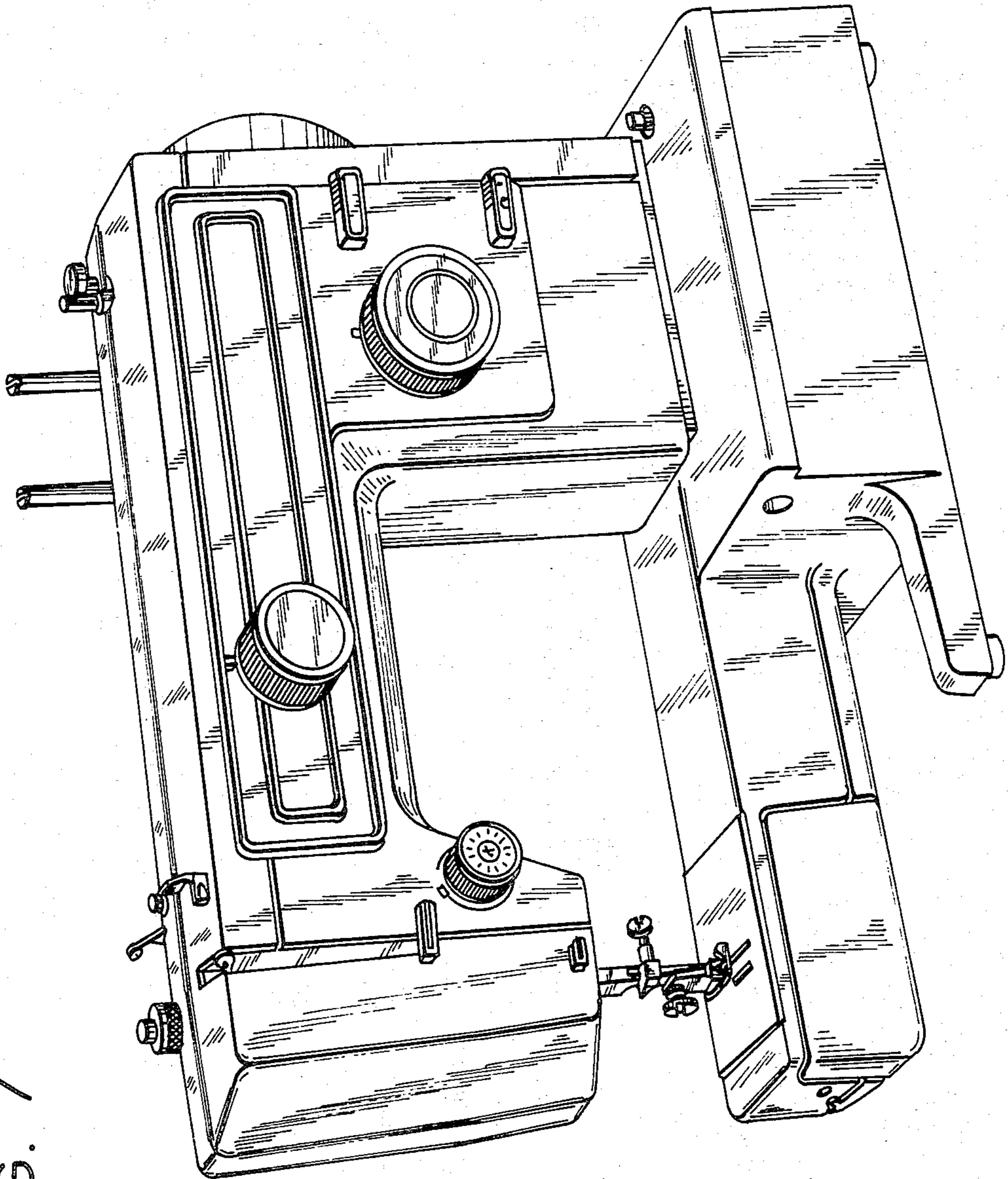


FIG. 7