

[54] HEAD FOR A SHRUB AND GARDEN GROOMER

3,877,146 4/1975 Pittinger 30/264
4,121,405 10/1978 Wolf 56/245 X

[76] Inventors: Richard L. Jackson, 7193 N. Preble County Line Rd., Lewisburg, Ohio 45338; Ansel N. John, 74 Benzella Dr., Centerville, Ohio 45459

FOREIGN PATENT DOCUMENTS

3248679 3/1984 Fed. Rep. of Germany 56/295

[**] Term: 14 Years

Primary Examiner—Wallace R. Burke
Assistant Examiner—Ruth Takemoto
Attorney, Agent, or Firm—Gustalo Nunez

[21] Appl. No.: 801,462

[57] CLAIM

[22] Filed: Nov. 25, 1985

The ornamental design for a head for a shrub and garden groomer, as shown.

[52] U.S. Cl. D15/28

[58] Field of Search D15/10-11, D15/16, 22, 26, 28, 29; 56/167-168, 233, 235-237, 239, 255, 295, 320.1, DIG. 17, DIG. 20, 12.7; 30/276, 318, DIG. 5, 388-390, 263-264; D8/64-67

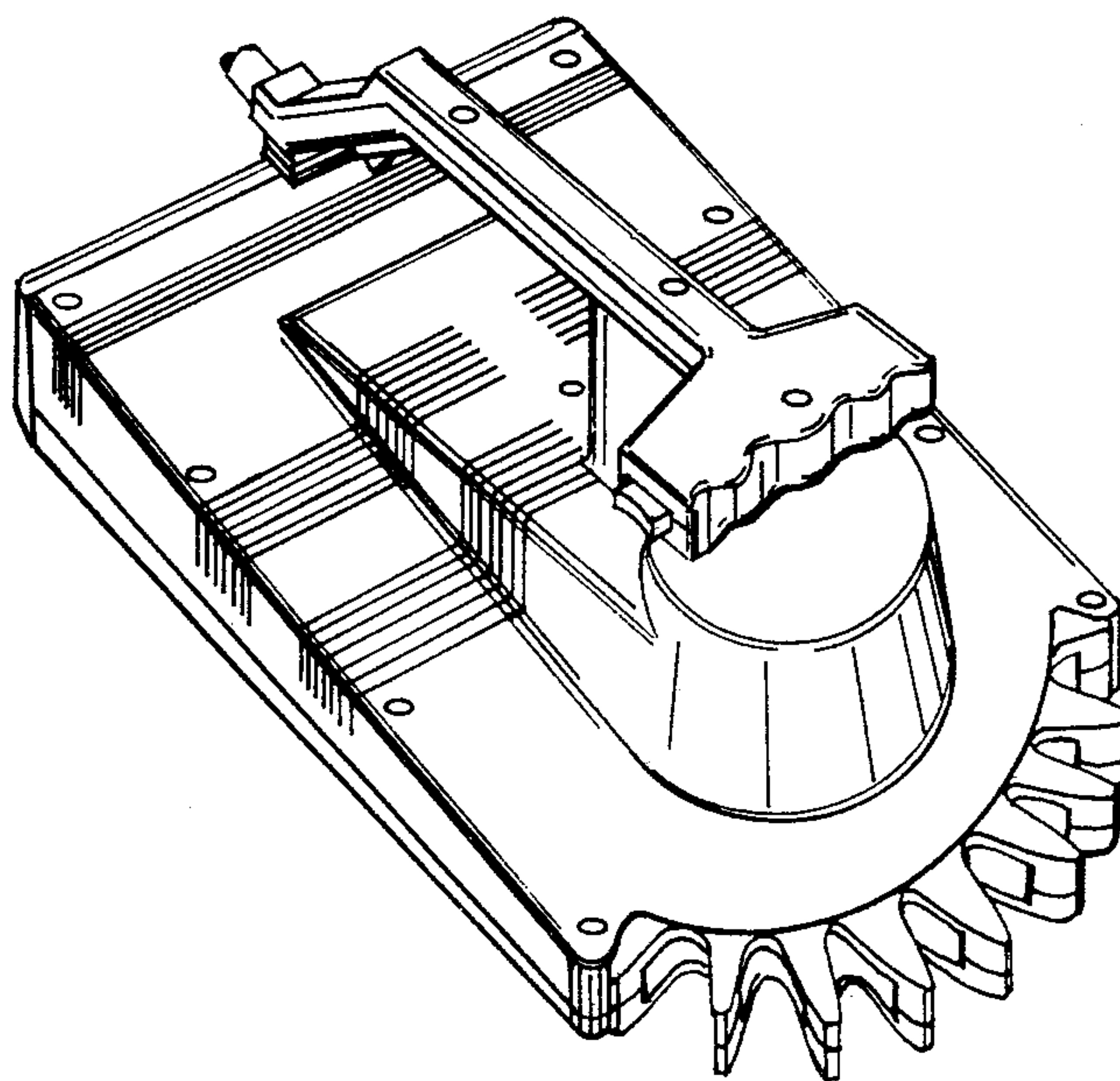
DESCRIPTION

[56] References Cited

U.S. PATENT DOCUMENTS

| | | | |
|------------|--------|---------------|-----------|
| D. 163,486 | 5/1951 | Sanford | 30/264 |
| 1,871,606 | 8/1932 | Haddad | |
| 2,832,184 | 4/1958 | Beuerle | 30/276 X |
| 2,867,040 | 1/1959 | Mertesdorf | 30/264 |
| 2,883,746 | 4/1959 | Gilsi | 30/263 |
| 3,050,854 | 8/1962 | Becker et al. | 30/264 |
| 3,672,139 | 6/1972 | Duran et al. | 56/16.9 X |
| 3,711,946 | 1/1973 | Troutman | 30/388 |

FIG. 1 is a perspective view of a head for a shrub and garden groomer.
FIG. 2 is a front view of a head for a shrub and garden groomer.
FIG. 3 is a top view of a head for a shrub and garden groomer.
FIG. 4 is a side view of a head for a shrub and garden groomer.
FIG. 5 is a rear view of a head for a shrub and garden groomer.
FIG. 6 is a top view of a head for a shrub and garden groomer.
The handle is shown fragmented in FIGS. 1, 4 and 6 for ease of illustration.



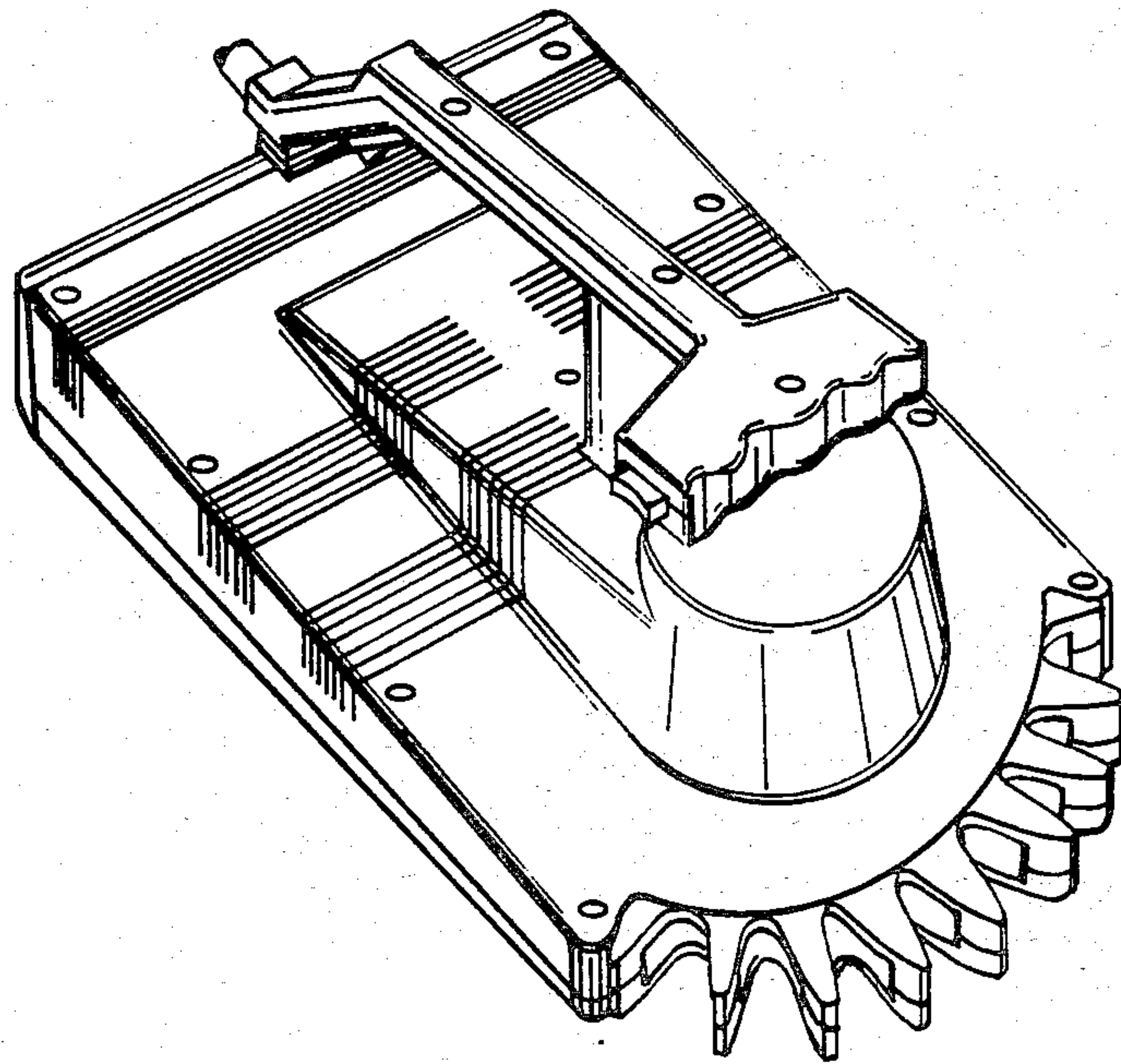


FIG. 1

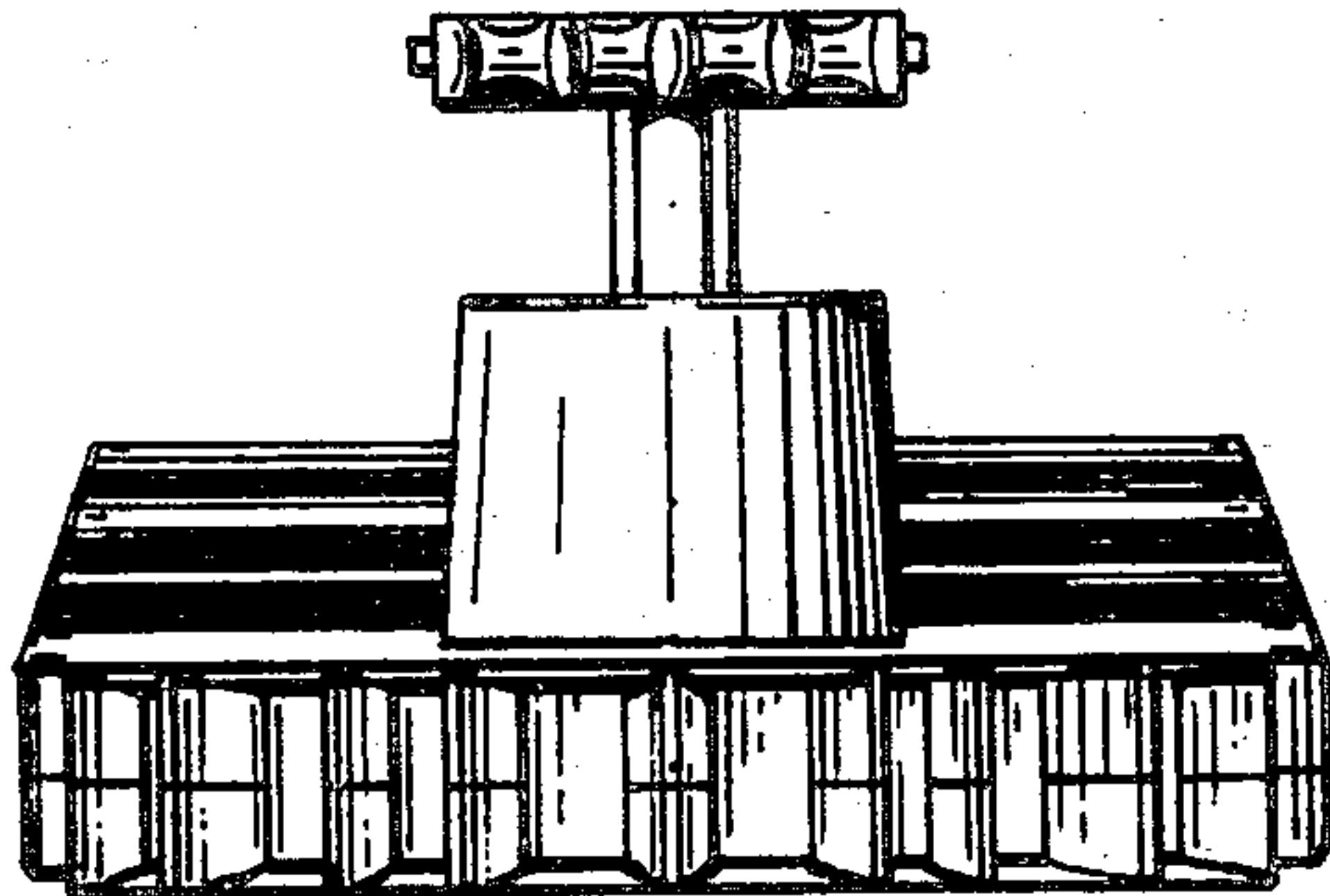
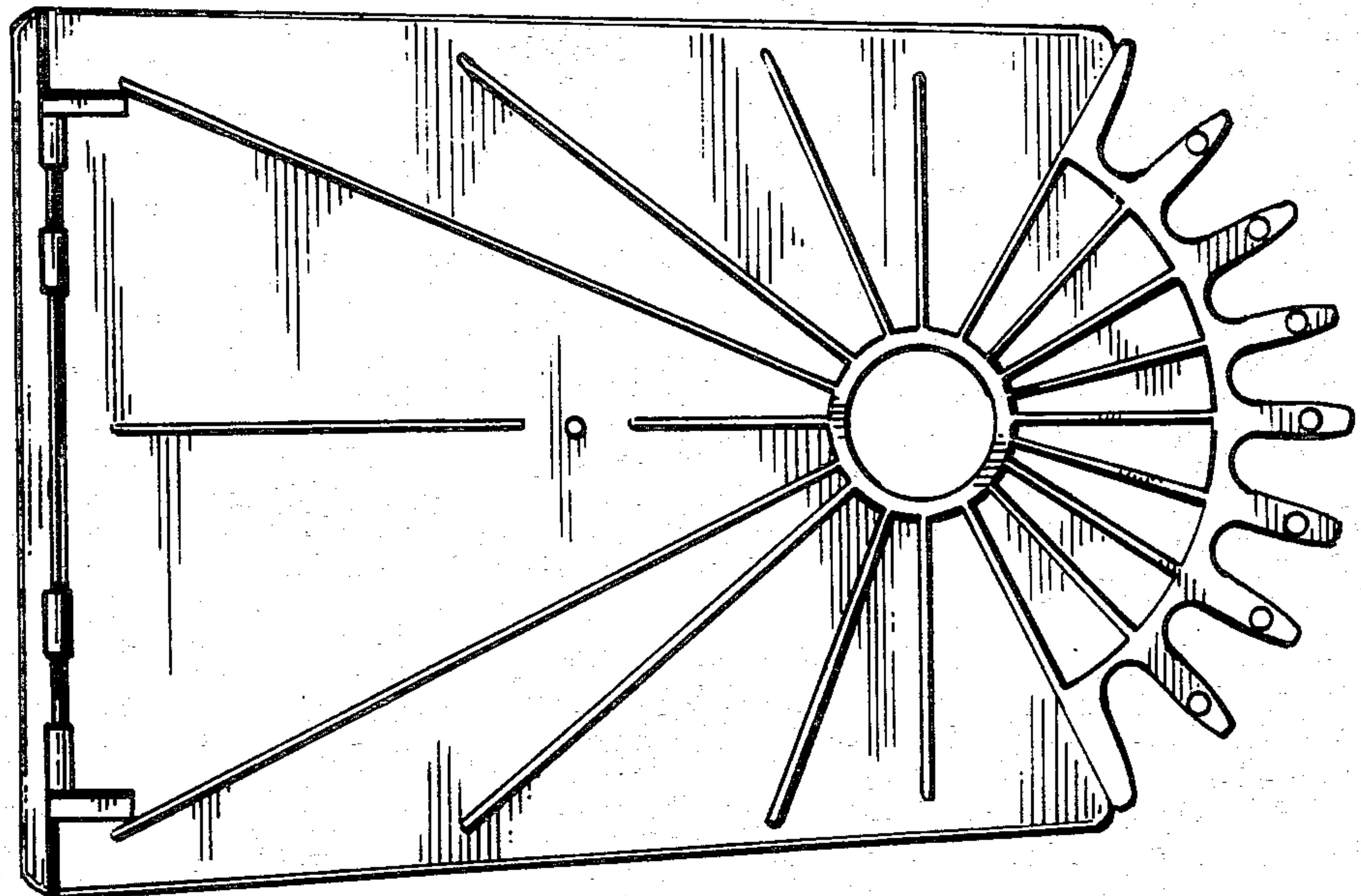


FIG. 2

FIG. 3



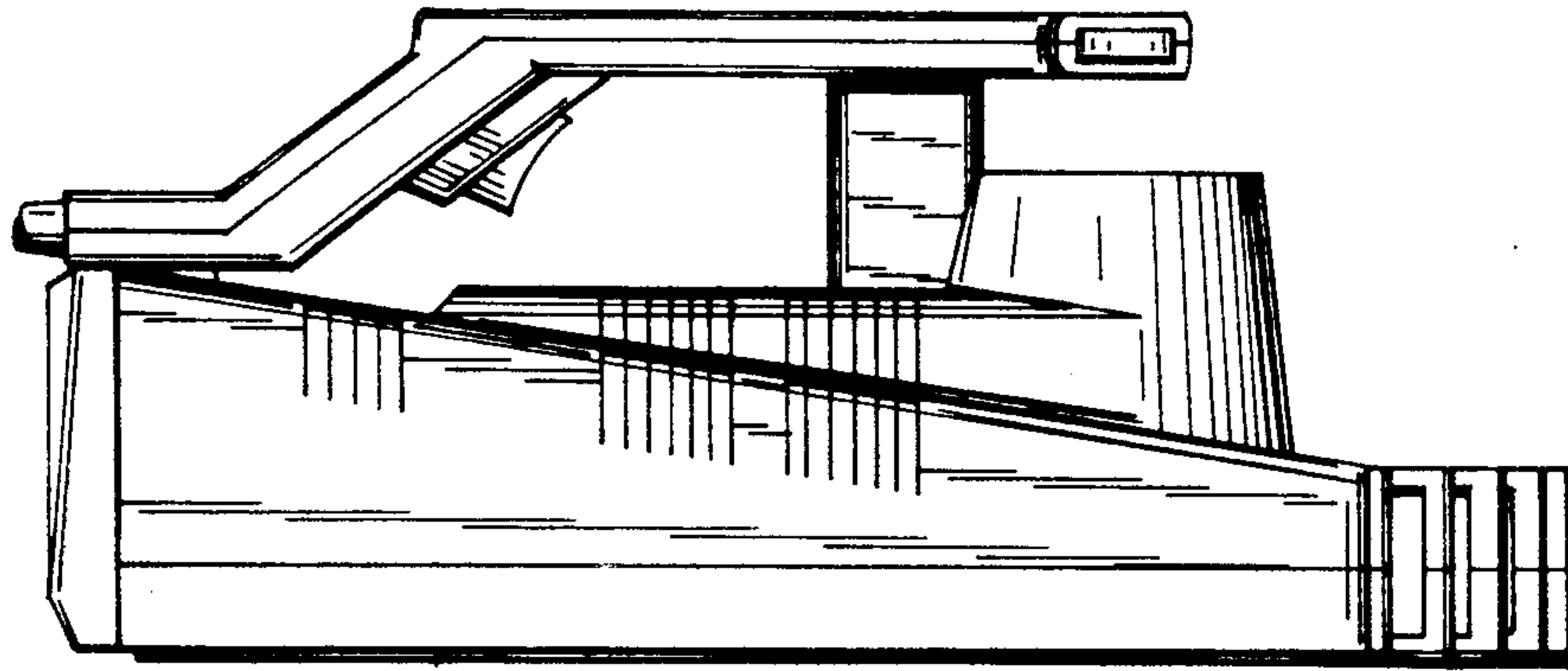


FIG. 4

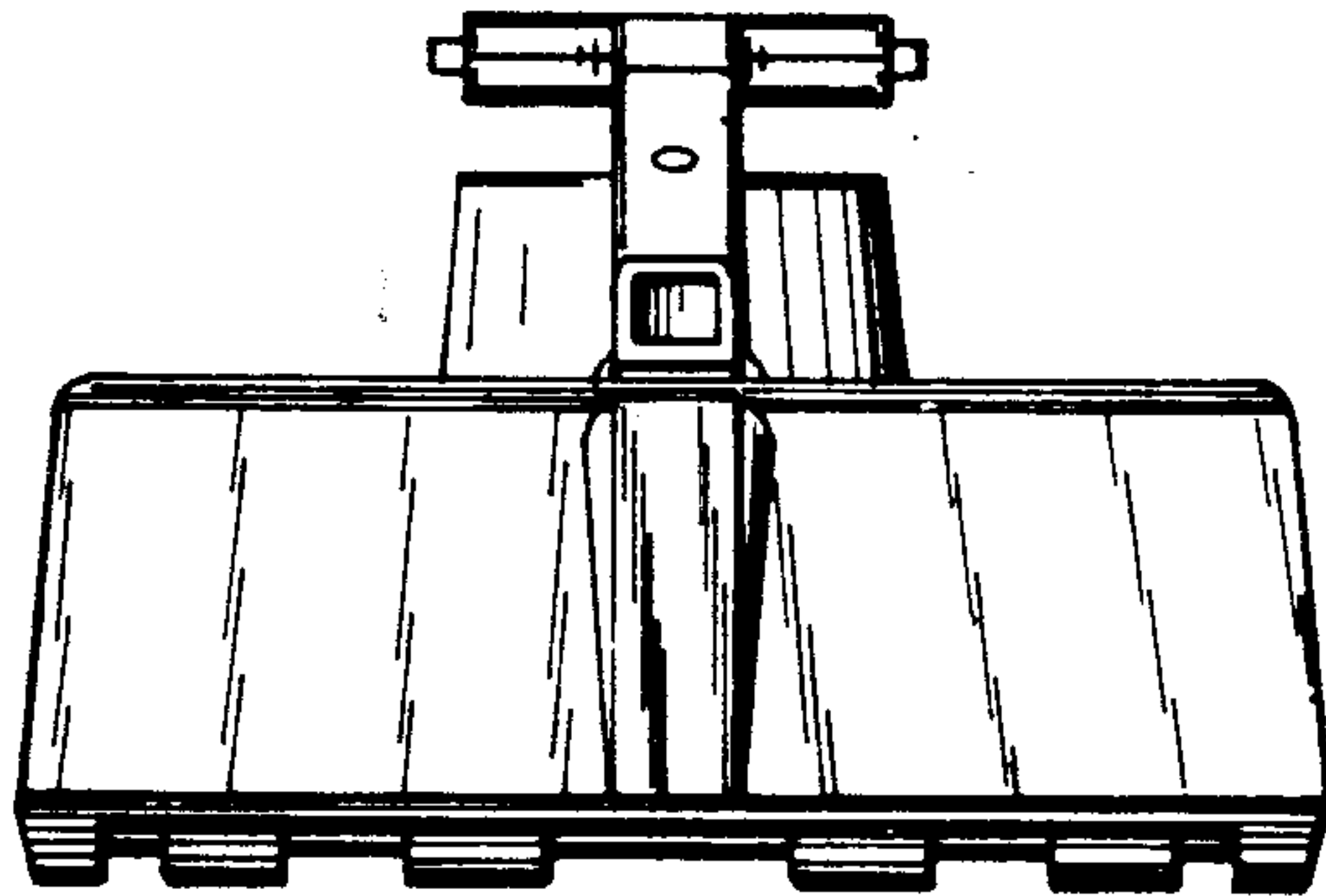


FIG. 5

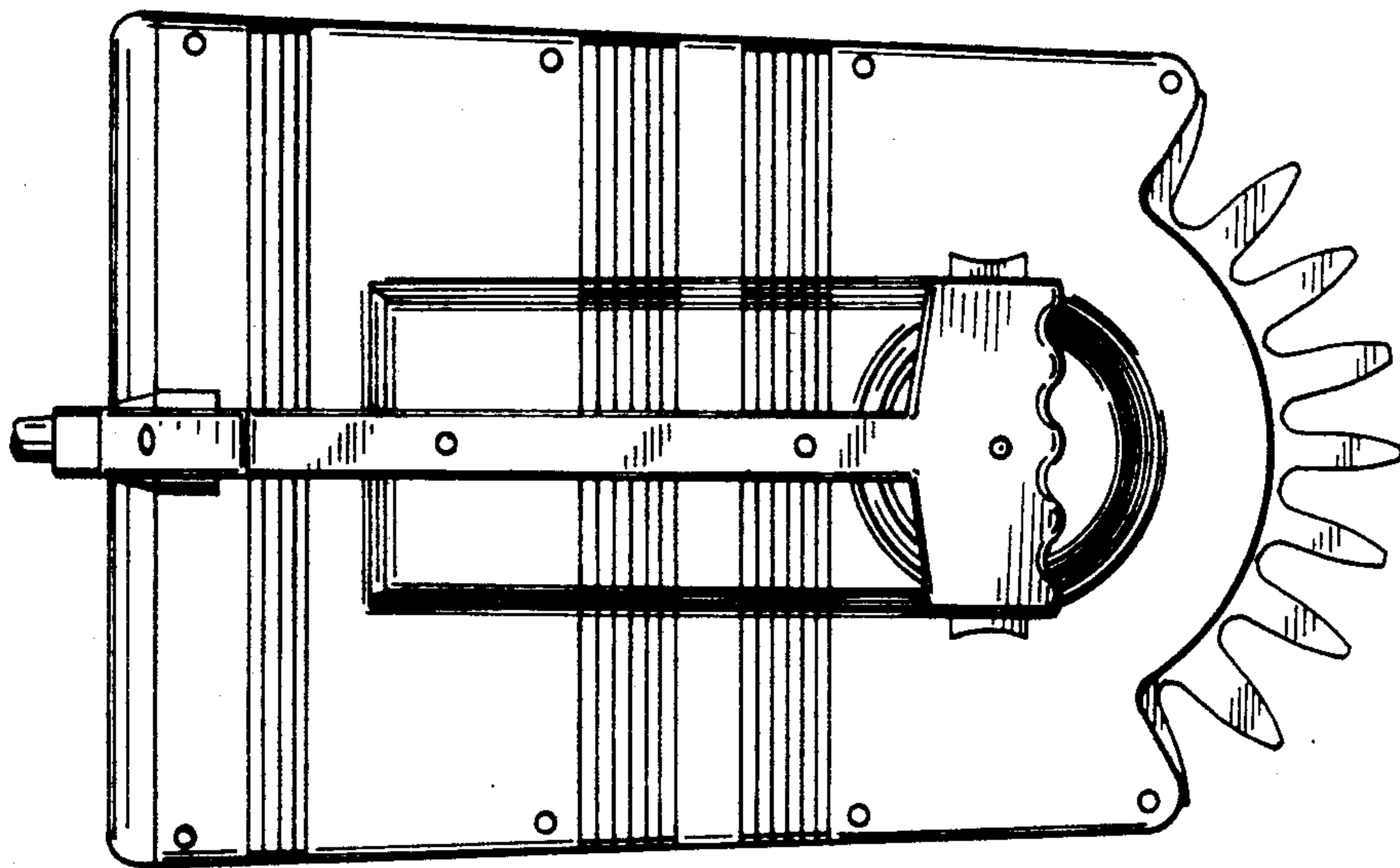


FIG. 6