

United States Patent [19]

Weisz et al.

[11] Patent Number: **Des. 290,258**

[45] Date of Patent: **** Jun. 9, 1987**

[54] **PRINTER**

[75] Inventors: **Sandor F. Weisz**, Stamford; **Ian R. Jenkins**, Westport, both of Conn.

[73] Assignee: **Dictaphone Corporation**, Rye, N.Y.

[**] Term: **14 Years**

[21] Appl. No.: **637,996**

[22] Filed: **Aug. 6, 1984**

[52] U.S. Cl. **D14/111; D18/13**

[58] Field of Search **D14/100, 107, 111, 114; D18/13, 22, 23; 400/690.1, 691, 693**

[56] **References Cited**

U.S. PATENT DOCUMENTS

D. 215,676 10/1969 Majesty D18/13
D. 220,188 3/1971 Kalvitis D14/111

D. 240,080 5/1976 Brown D18/13 X
D. 263,397 3/1982 Vierling et al. D14/111

Primary Examiner—Susan J. Lucas
Attorney, Agent, or Firm—Robert H. Whisker; Melvin J. Scolnick; David E. Pitchenik

[57] **CLAIM**

The ornamental design for a printer, as shown and described.

DESCRIPTION

FIG. 1 is a perspective view of a printer showing our new design;

FIG. 2 is a front elevational view thereof;

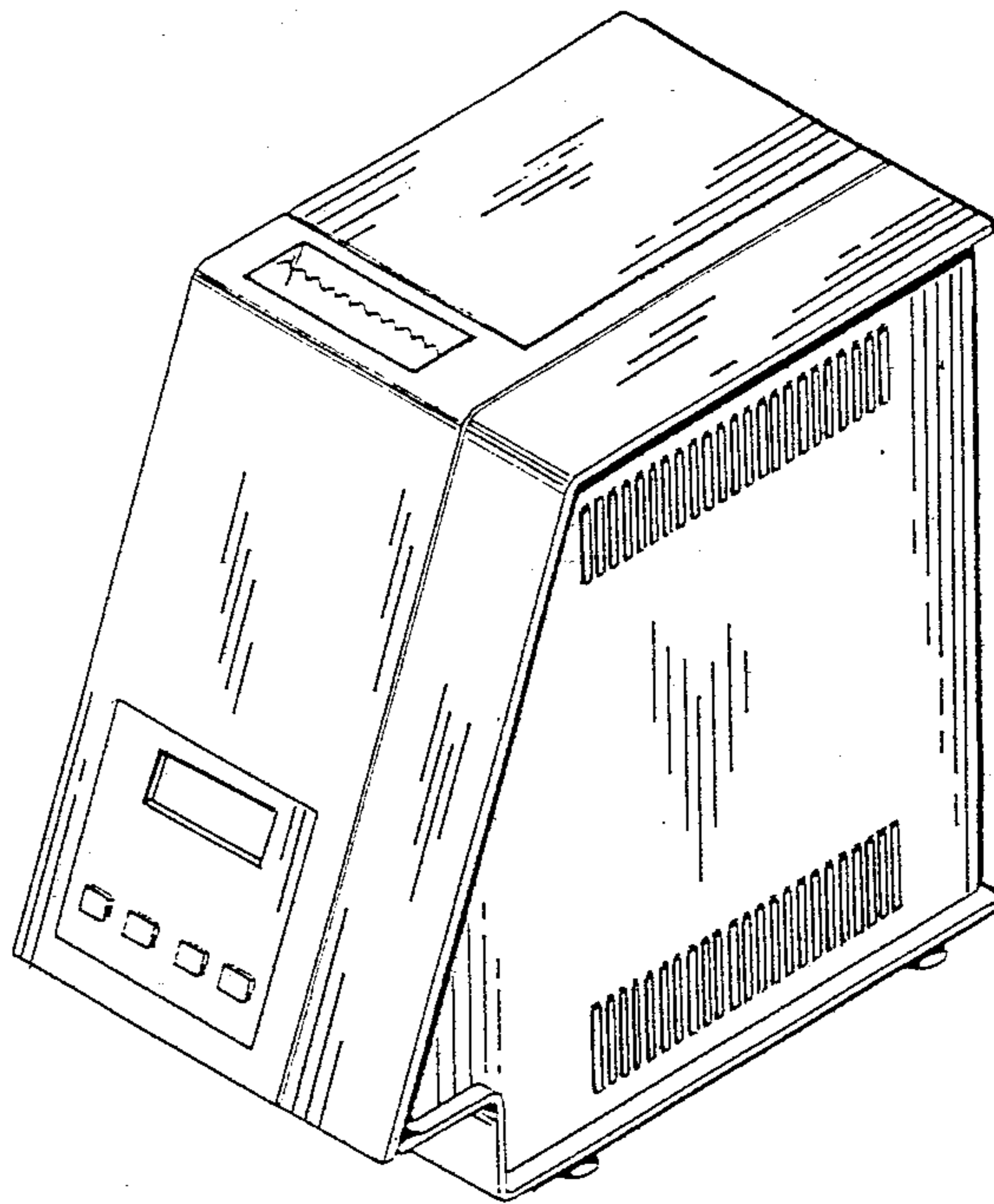
FIG. 3 is a rear elevational view thereof;

FIG. 4 is a top plan view thereof;

FIG. 5 is a bottom plan view thereof;

FIG. 6 is a left side elevational view thereof; and

FIG. 7 is a right side elevational view thereof.



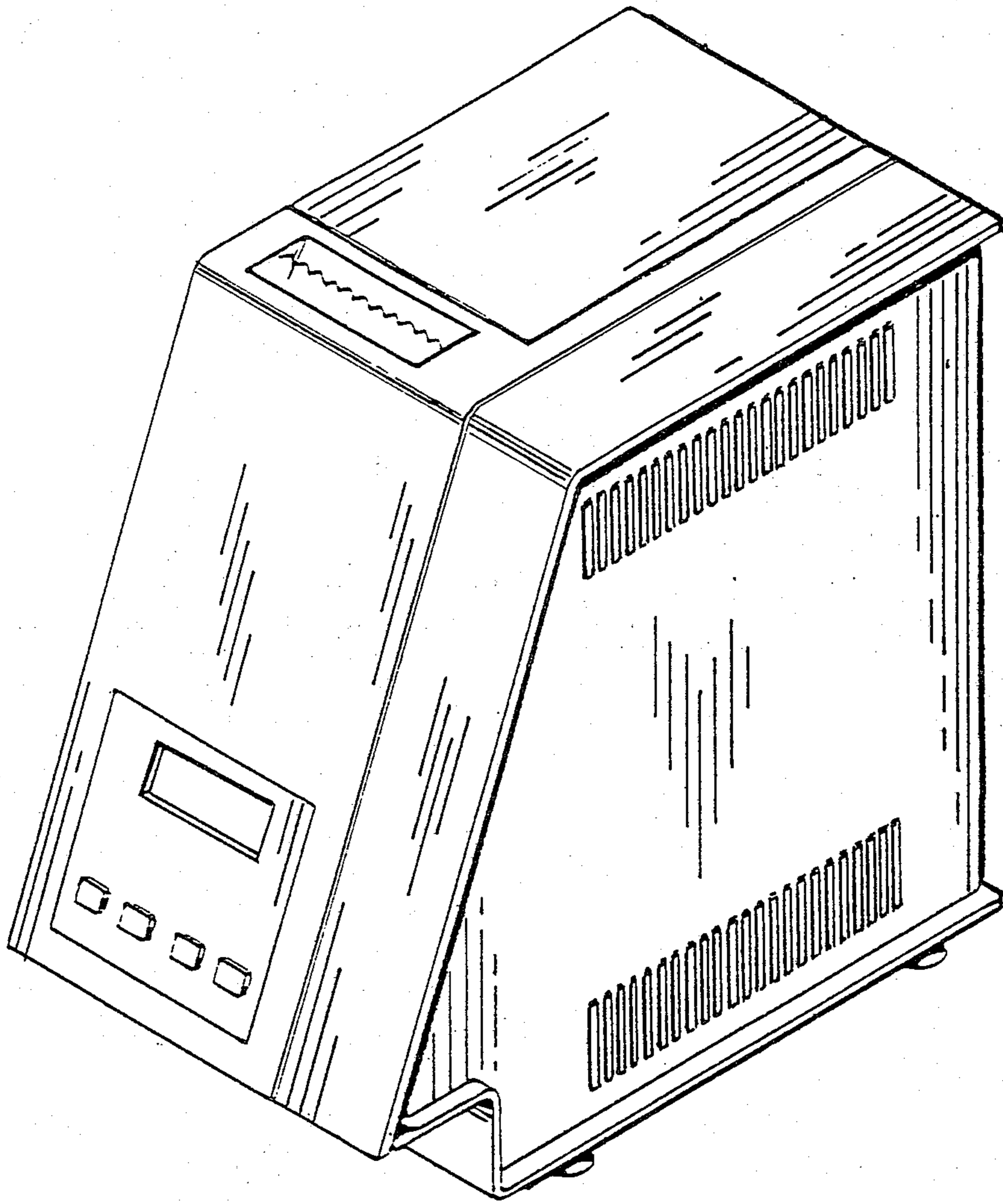


FIG. 1

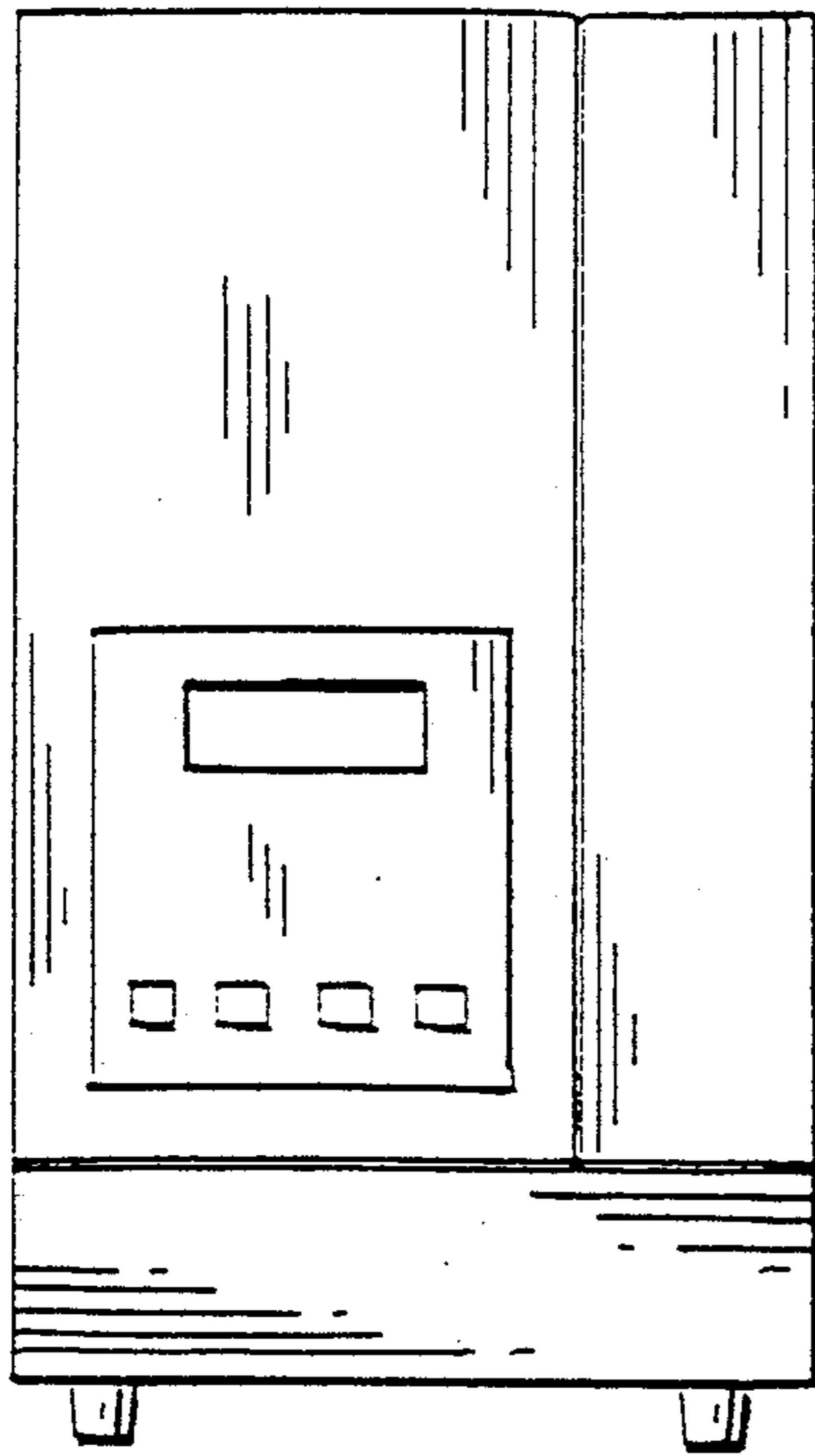


FIG. 2

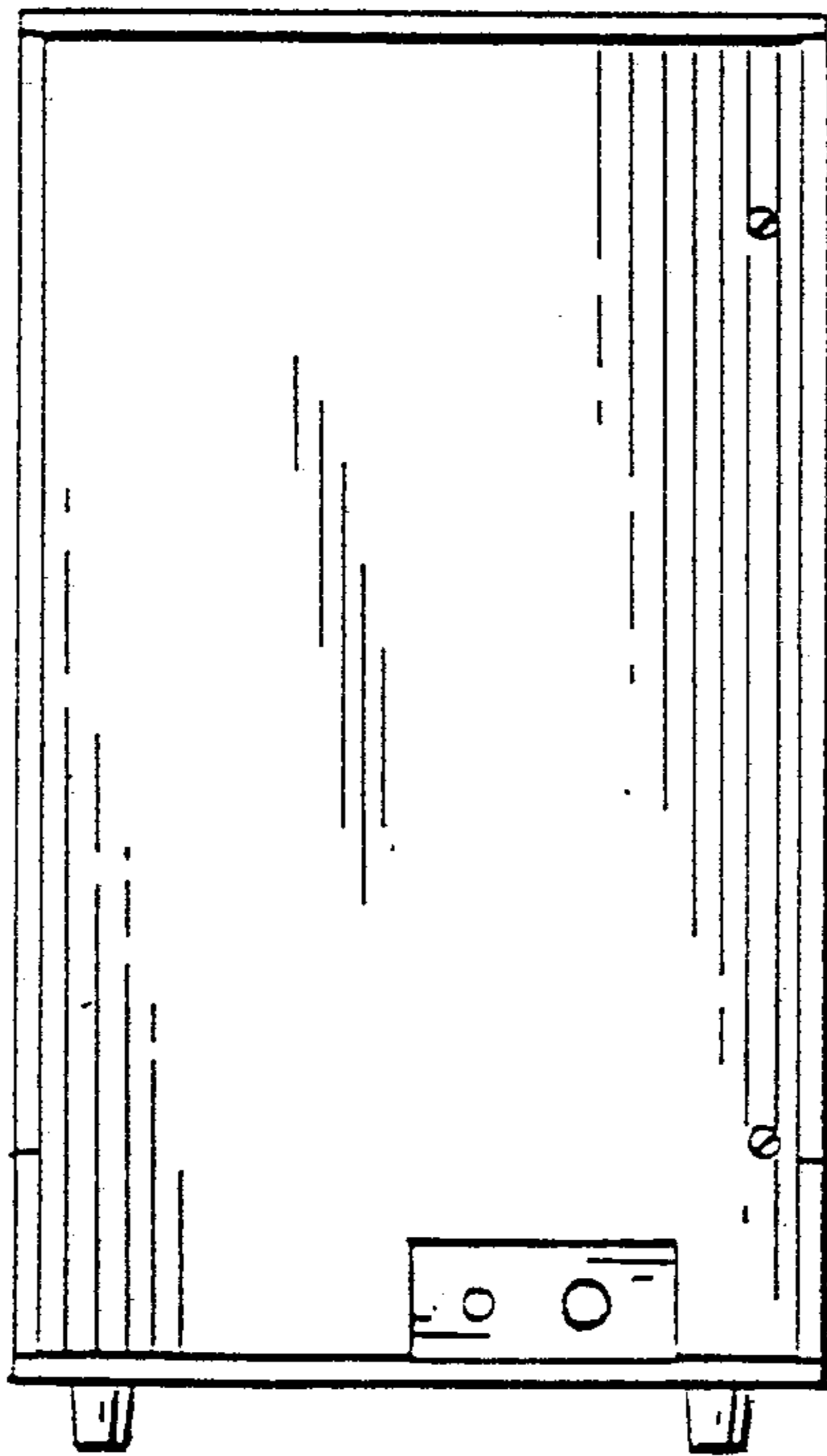


FIG. 3

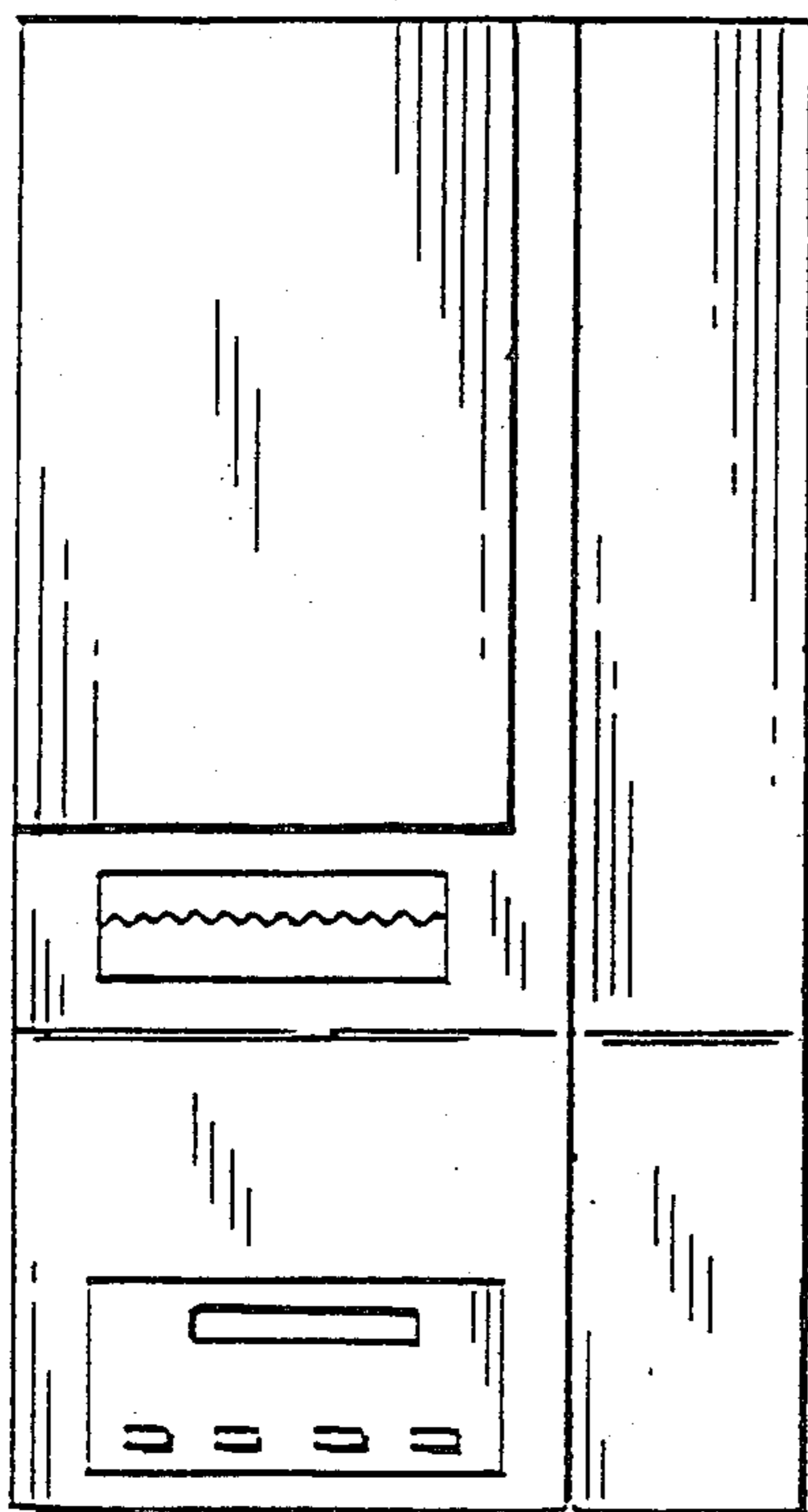


FIG. 4

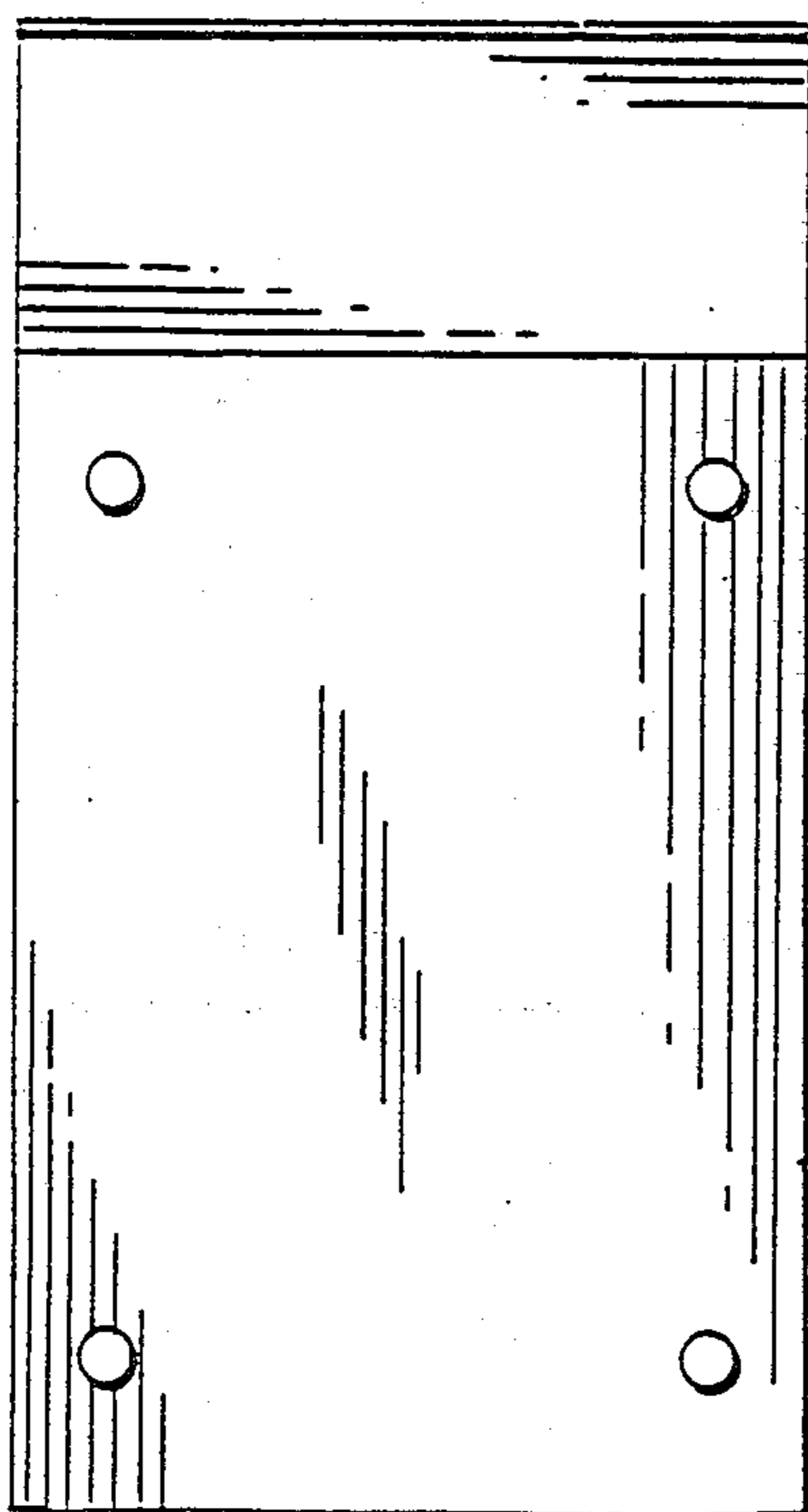


FIG. 5

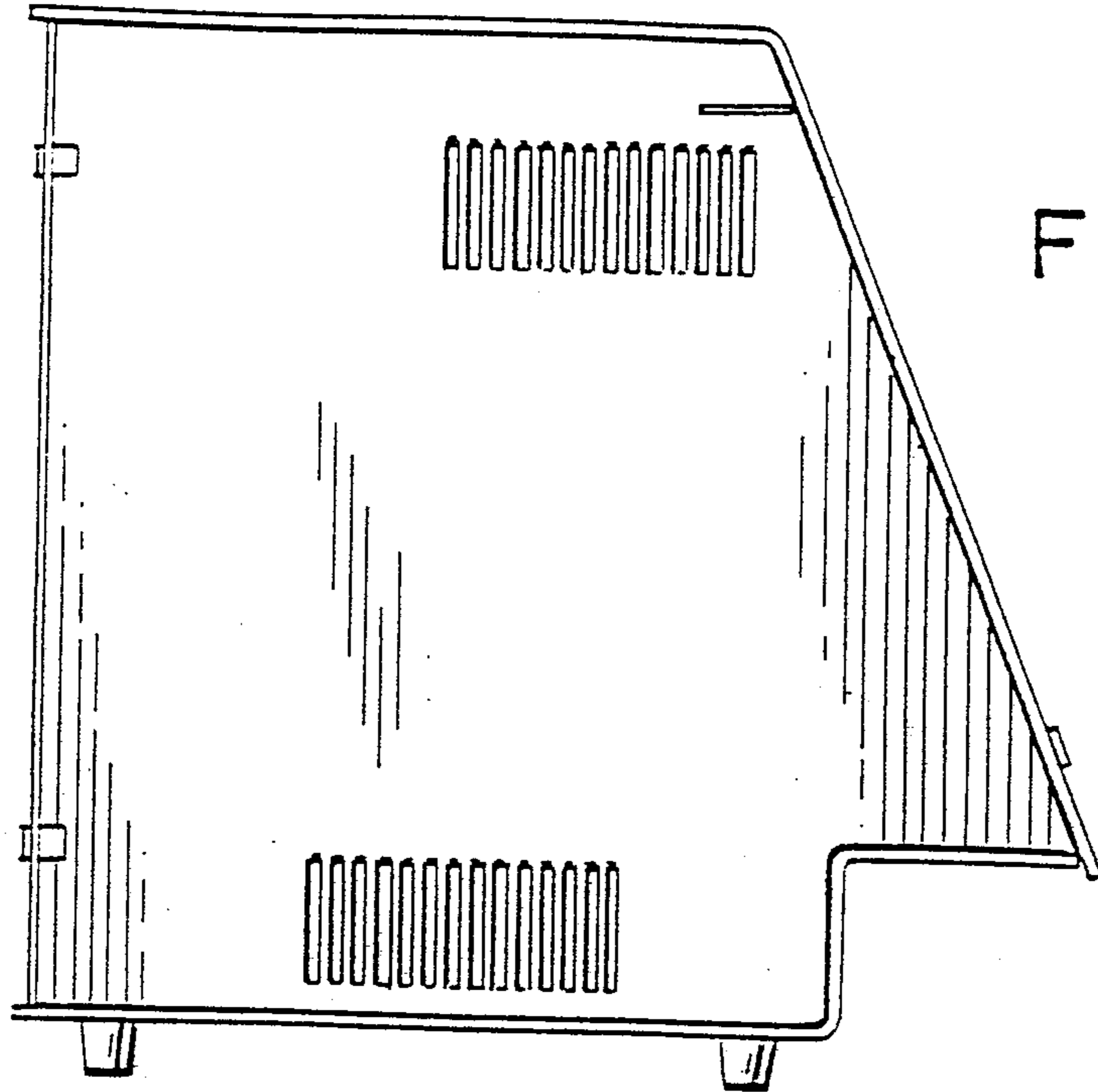


FIG. 6

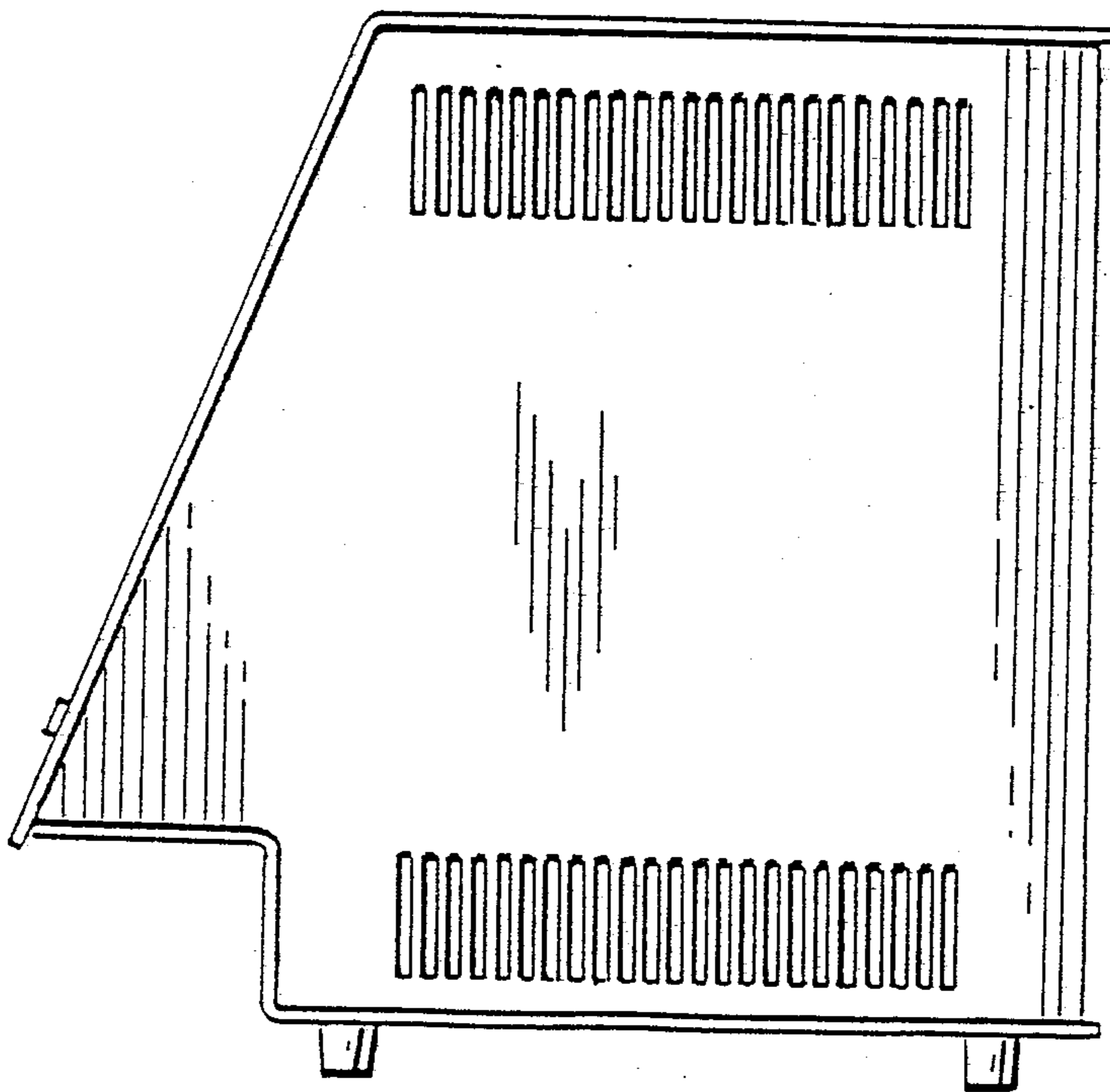


FIG. 7