

[54] **TIRE FOR A VEHICLE WHEEL**

[75] **Inventor: Giuliano Ghilardi, Sesto San Giovanni, Italy**

[73] **Assignee: Pirelli Coordinamento Pneumatici S.p.A., Italy**

[**] **Term: 14 Years**

[21] **Appl. No.: 676,273**

[22] **Filed: Nov. 29, 1984**

[30] **Foreign Application Priority Data**

Jun. 1, 1984 [IT] Italy 21994 B/84[U]
[52] **U.S. Cl. D12/142**
[58] **Field of Search D12/141-143, D12/146-151; 152/209 R, 209 D**

[56] **References Cited**

PUBLICATIONS

Modern Tire Dealer, 8/83, p. 39, Michelin Tire, center of page.

1983 Tread Design Guide, p. 149, Alliance All Steel Radial 245 Tire, top center of page.

1983 Tread Design Guide, p. 108, Concord LTR LTX-1 Steel Belted Radial Tire, bottom center of page.

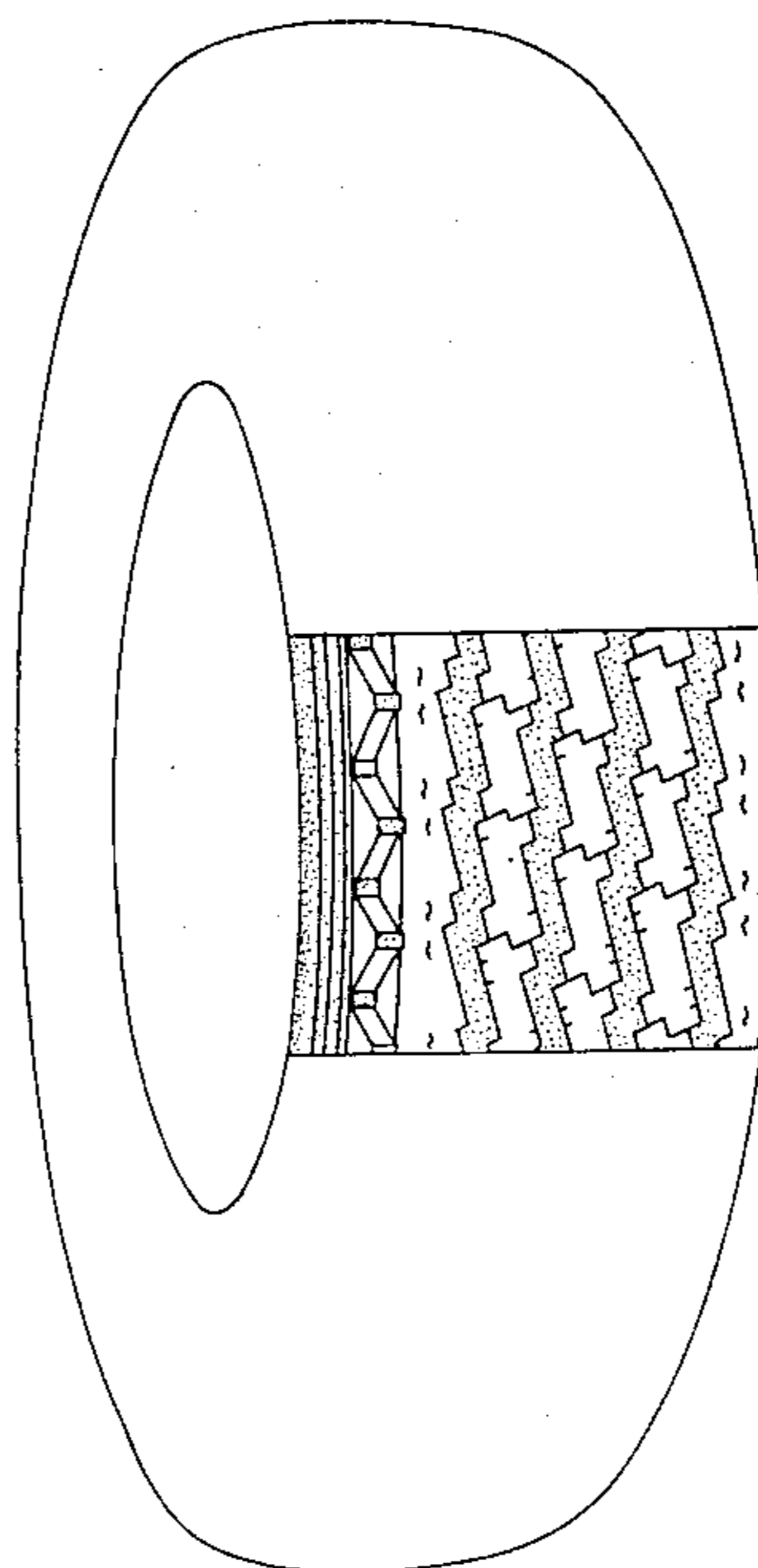
Primary Examiner—James M. Gandy
Attorney, Agent, or Firm—Stevens, Davis, Miller & Mosher

[57] **CLAIM**

The ornamental design for a tire for a vehicle wheel, as shown and described.

DESCRIPTION

FIG. 1 is a perspective view of a tire for a vehicle wheel showing my new design it being understood that the tread pattern is repeated uniformly throughout the circumference of the tire as shown schematically by solid lines, the opposite side being the same as that shown; FIG. 2 is a front elevation view thereof; and FIG. 3 is a side elevation view thereof on a reduced scale, the opposite side being a mirror image of that shown.



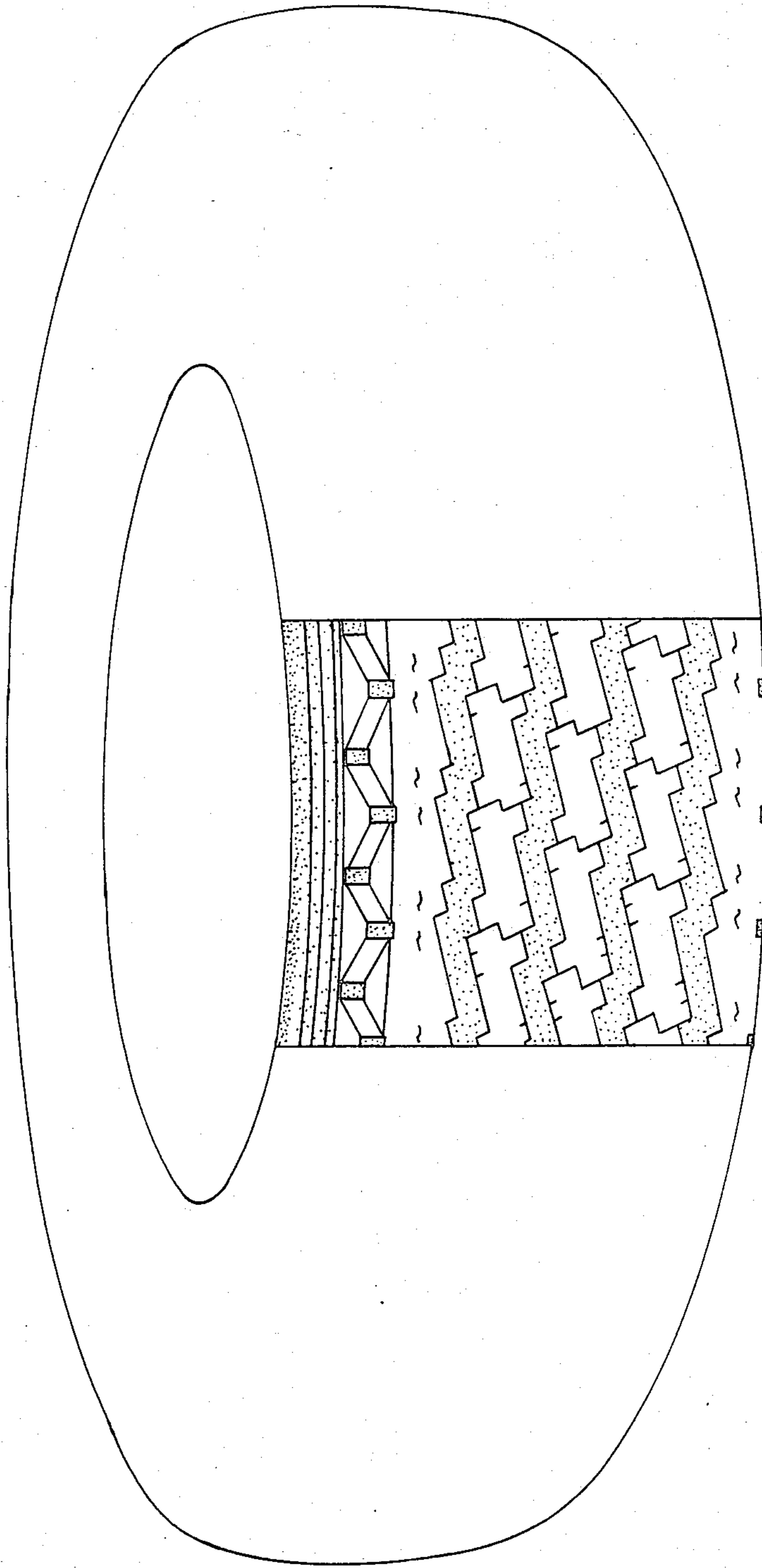


FIG 1

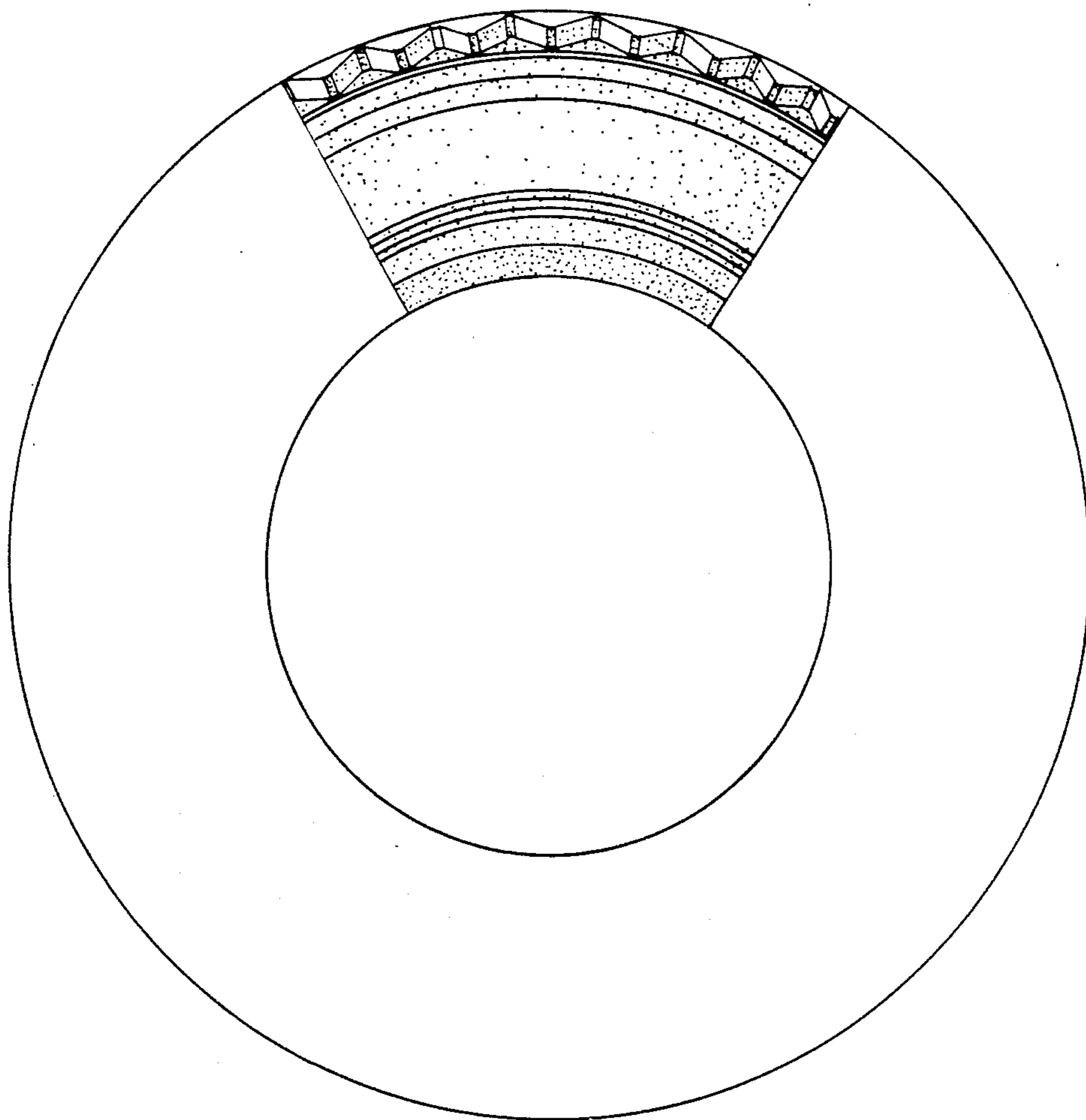


FIG 2

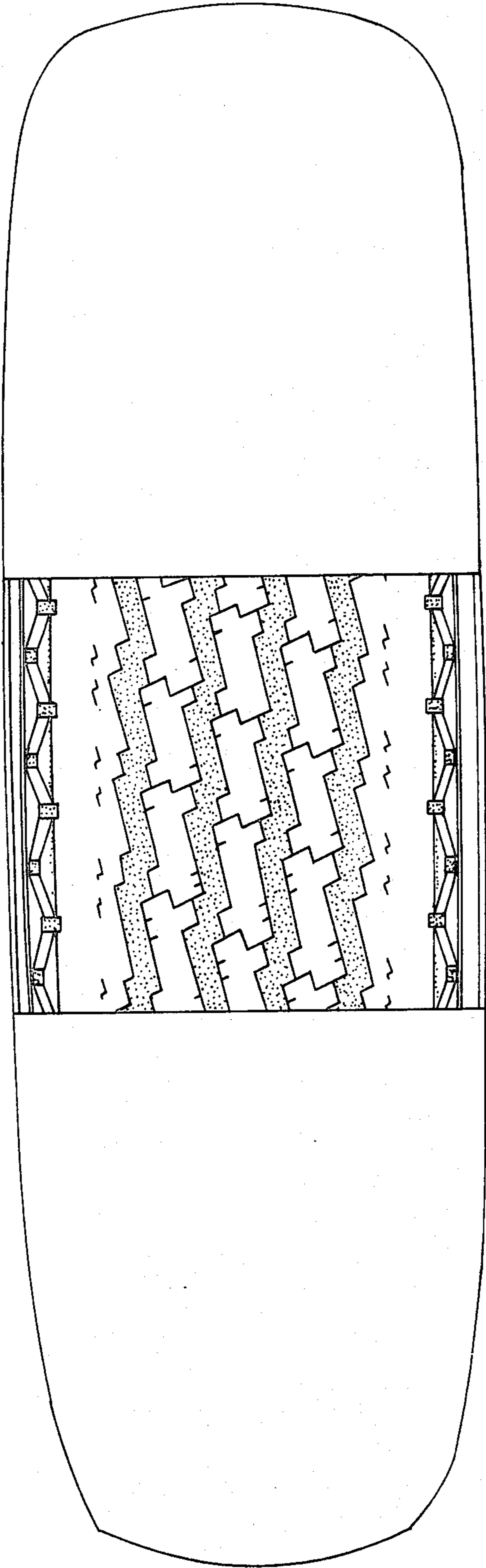


FIG 3