

United States Patent [19]

Muehlenbein

[11] Patent Number: **Des. 290,237**

[45] Date of Patent: **** Jun. 9, 1987**

[54] **HEIGHT MEASURING DEVICE**

[75] Inventor: **James A. Muehlenbein, Villa Park, Ill.**

[73] Assignee: **Novel Products, Inc., Addison, Ill.**

[**] Term: **14 Years**

[21] Appl. No.: **598,010**

[22] Filed: **Apr. 9, 1984**

[52] U.S. Cl. **D10/71**

[58] Field of Search **D10/70, 71, 72, 62, D10/65; 33/169 R, 512**

2,104,175 1/1938 Turpan 33/169 R
2,386,181 10/1945 Bailey 33/169 R
3,197,875 8/1965 D'Azzo 33/169 R
3,438,134 4/1969 Schunk 33/169 R X

Primary Examiner—Nelson C. Holtje
Attorney, Agent, or Firm—Wood, Dalton, Phillips,
Mason & Rowe

[57] **CLAIM**

The ornamental design for height measuring device, as shown and described.

DESCRIPTION

FIG. 1 is a front elevational view of a height measuring device showing my new design;
FIG. 2 is a left side elevational view thereof;
FIG. 3 is a top plan view thereof;
FIG. 4 is a partial top-left perspective view of FIG. 1 on an enlarged scale; and
FIG. 5 is a top and right perspective view of the movable measure bar on an enlarged scale, the base/support unit being omitted for ease of illustration.

[56] **References Cited**

U.S. PATENT DOCUMENTS

D. 161,662 1/1951 Stratman D10/70
D. 190,525 6/1961 Stroyman D10/71
D. 207,668 5/1967 McAtee D10/71
D. 225,019 10/1972 Oberheim D10/71
D. 232,759 9/1974 Hall D10/71
D. 259,925 7/1981 Palmer D10/71

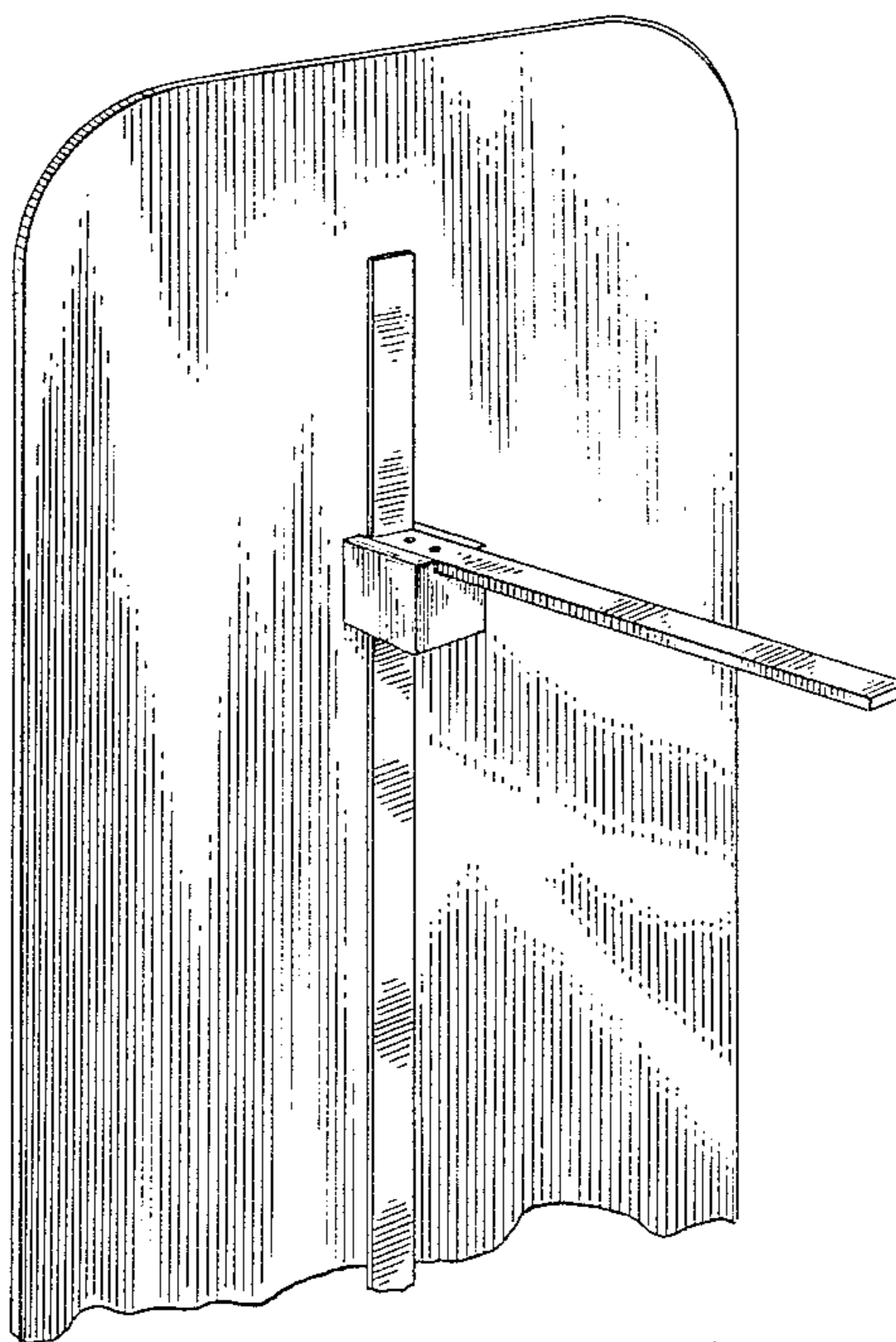


FIG. 1

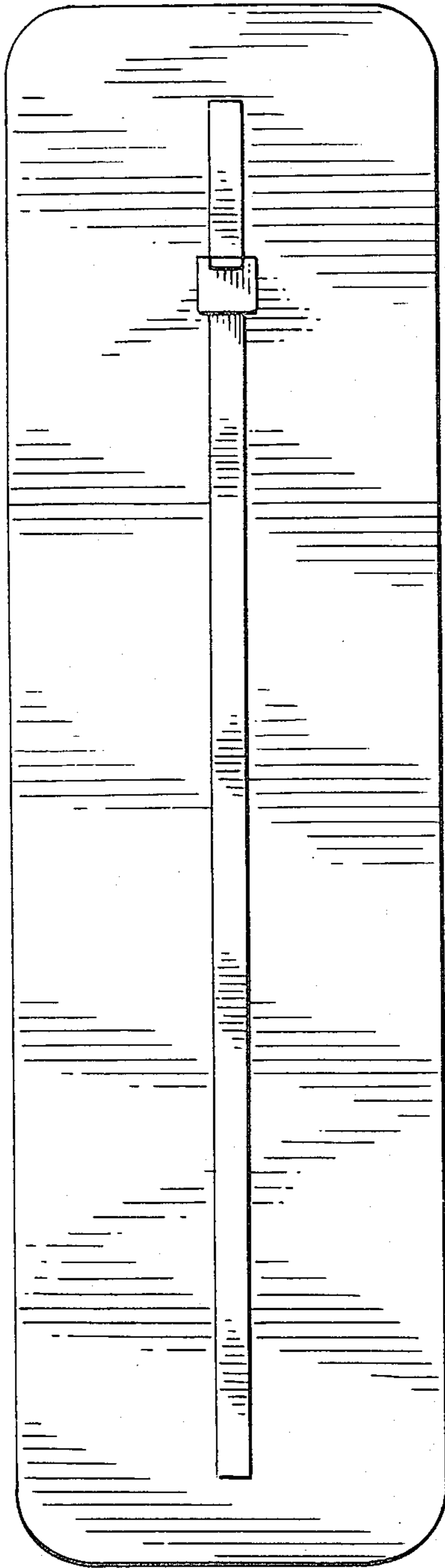


FIG. 2

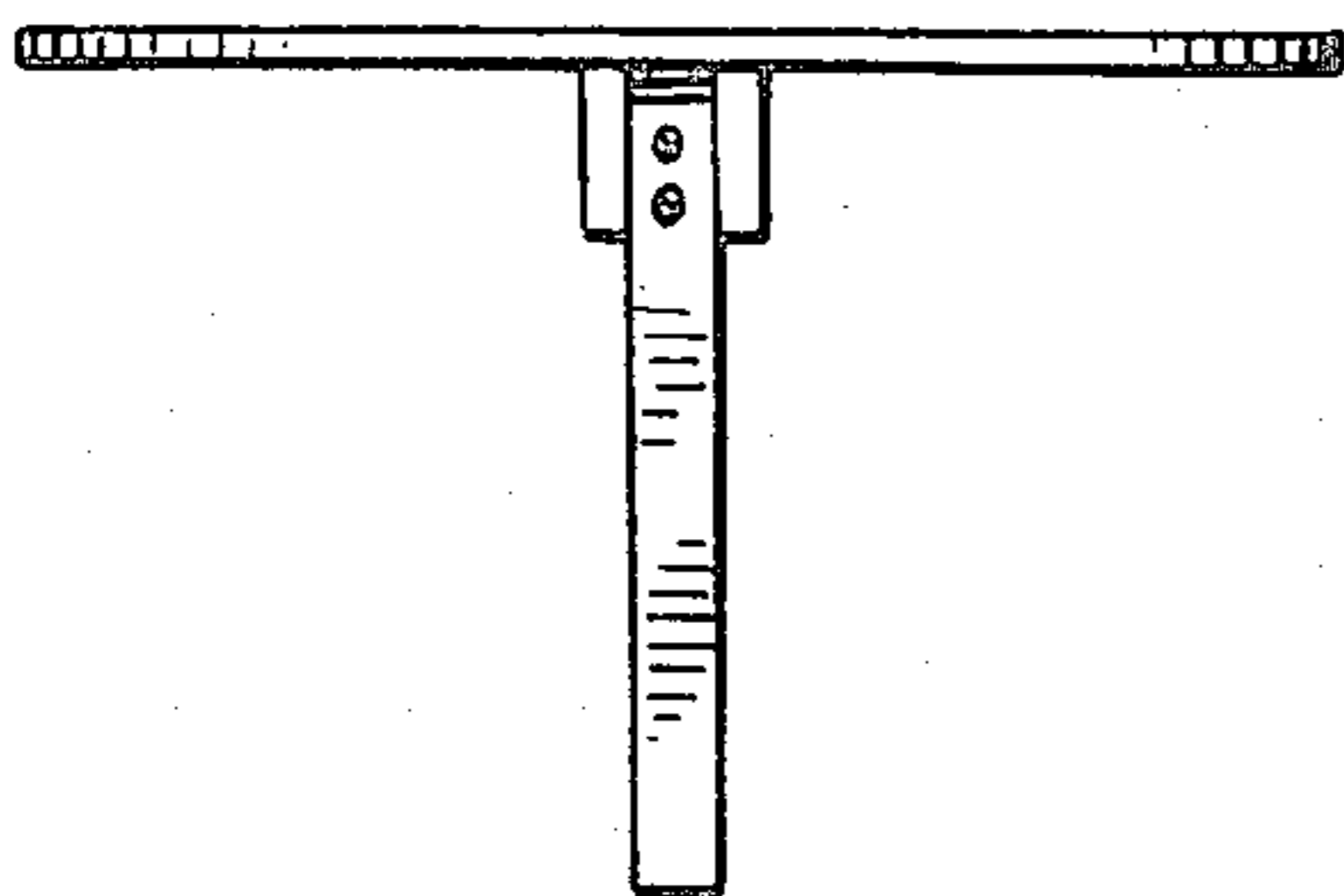
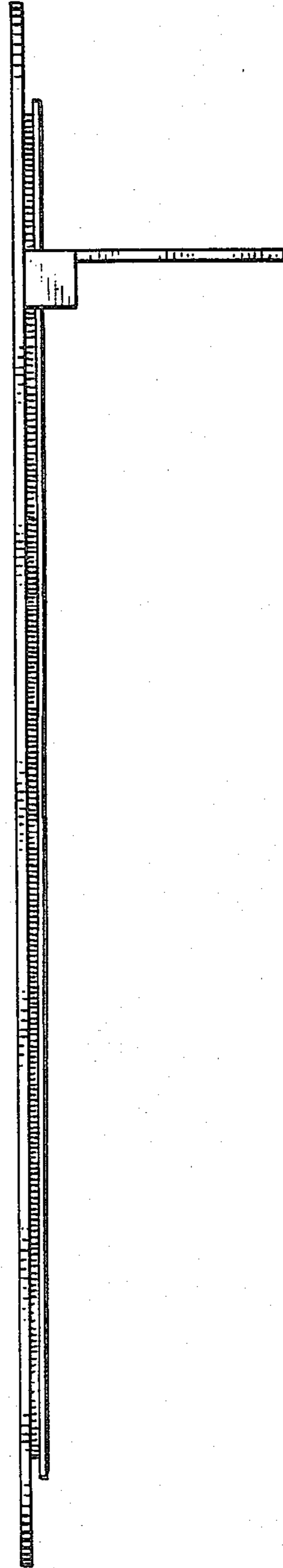
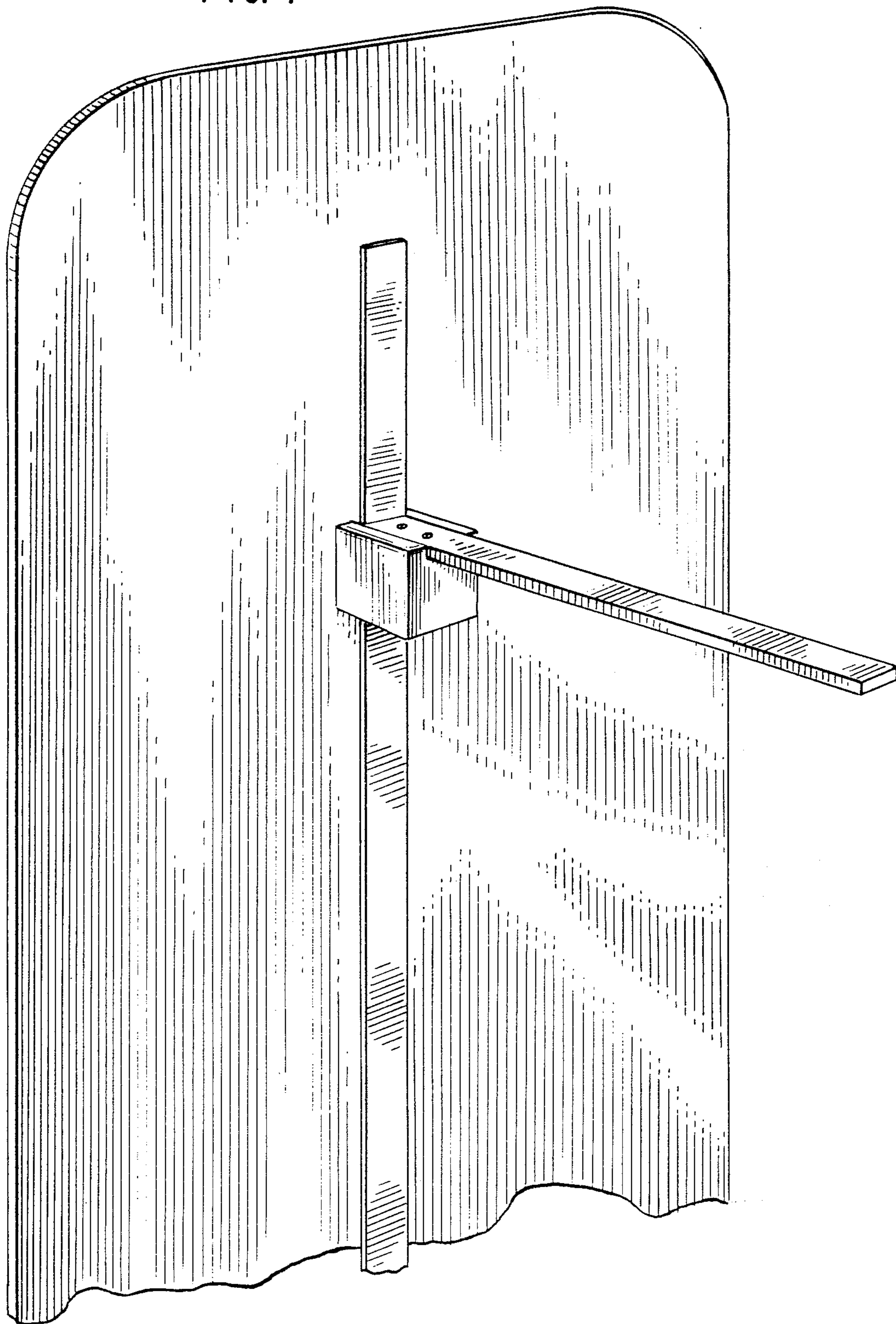


FIG. 3

FIG. 4



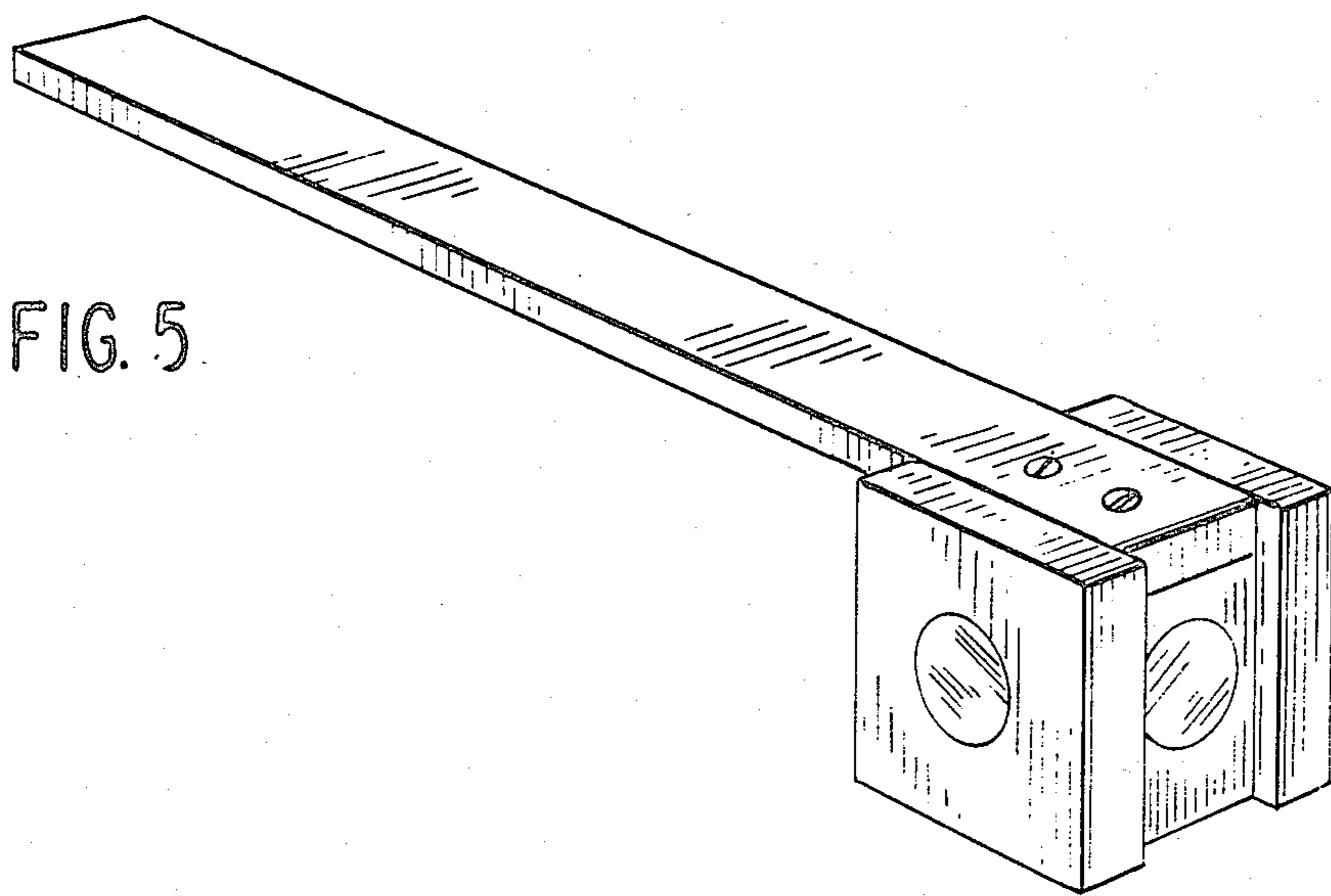


FIG. 5