

[54] **WATCH CASE**

[75] **Inventor: Jun Komatsu, Kanagawa, Japan**

[73] **Assignee: Citizen Watch Co., Ltd., Tokyo, Japan**

[\*\*] **Term: 14 Years**

[21] **Appl. No.: 692,831**

[22] **Filed: Jan. 18, 1985**

[30] **Foreign Application Priority Data**

Oct. 12, 1984 [JP] Japan ..... 59-42242

[52] **U.S. Cl. .... D10/38; D10/30**

[58] **Field of Search ..... D10/30-39, D10/40; 368/281, 282, 285, 276, 277**

[56] **References Cited**

**U.S. PATENT DOCUMENTS**

D. 155,403 10/1949 Dinhofer ..... D10/38

D. 263,031 2/1982 Carre ..... D10/39  
D. 283,402 4/1986 Glauser ..... D10/38

**OTHER PUBLICATIONS**

*Swiss Watch & Jewelry Journal*-2/82 p. 322-Watch.

*Primary Examiner*—Nelson C. Holtje  
*Attorney, Agent, or Firm*—Koda and Androlia

[57] **CLAIM**

The ornamental design for a watch case, as substantially shown and described.

**DESCRIPTION**

FIG. 1 is a top plan view of a watch case showing my new design;

FIG. 2 is a bottom plan view thereof;

FIG. 3 is a front elevational view thereof, the rear being a mirror image thereto;

FIG. 4 is a right side elevational view thereof, the left side being a mirror image thereto.

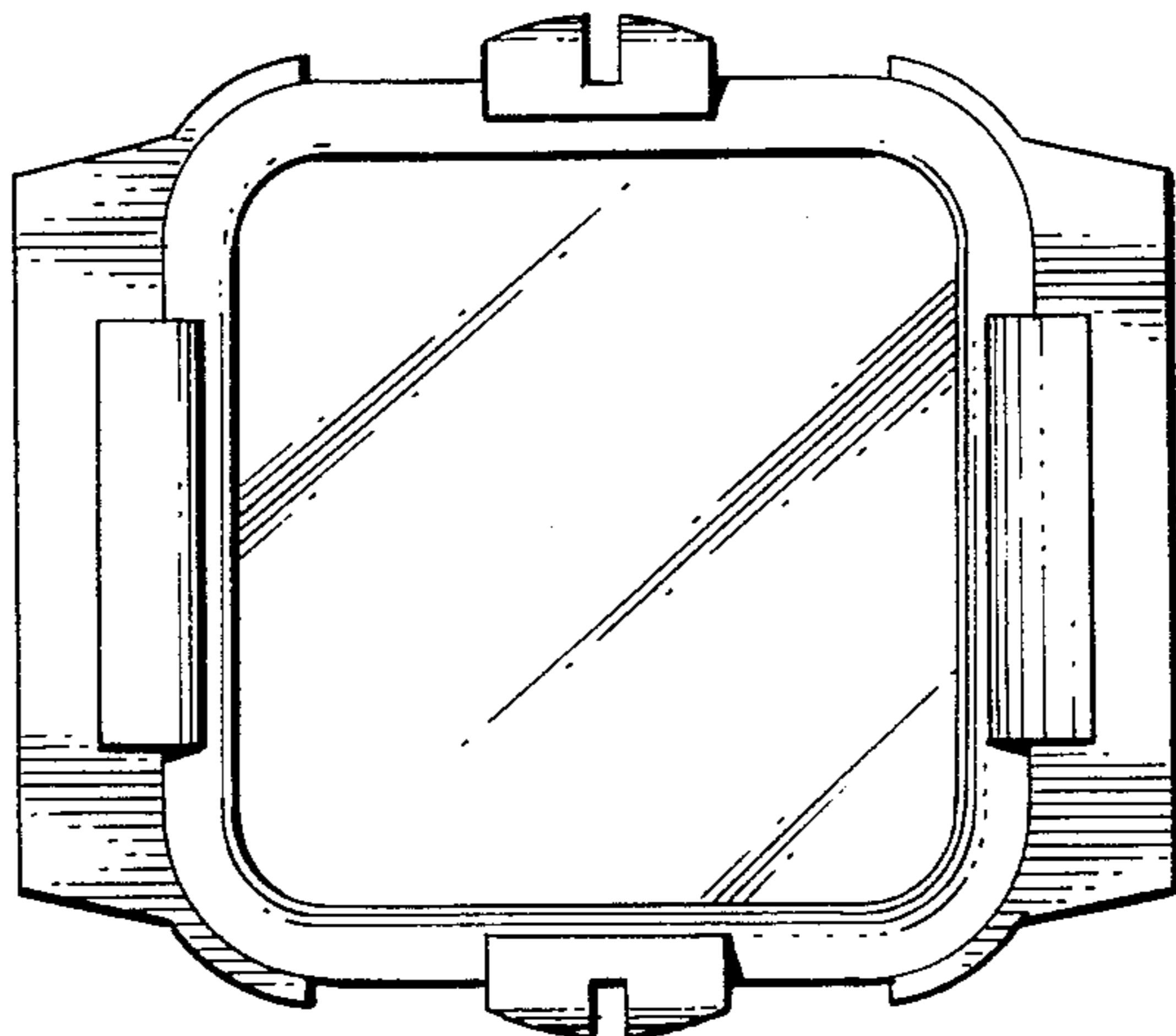


FIG. 1

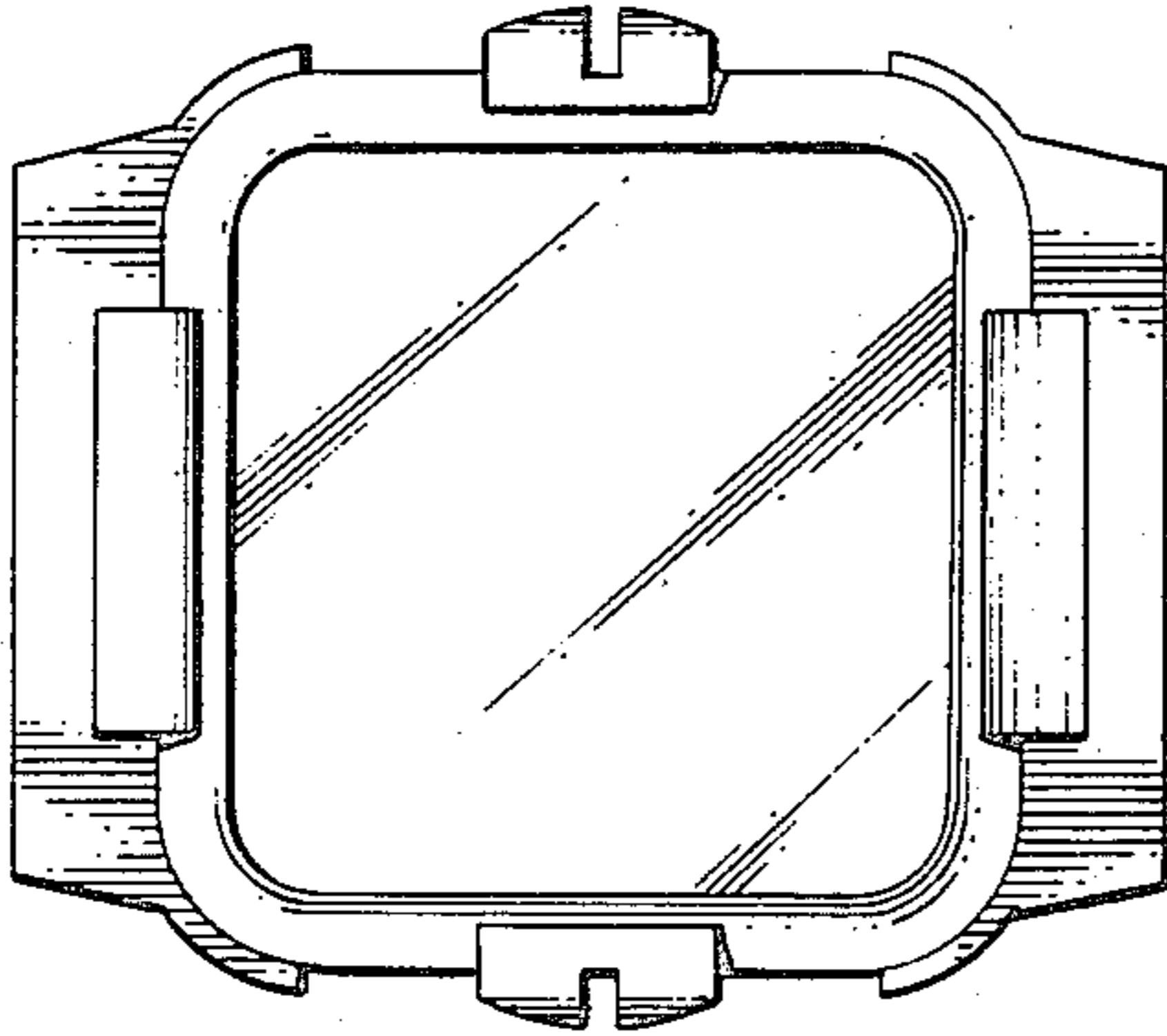


FIG. 2

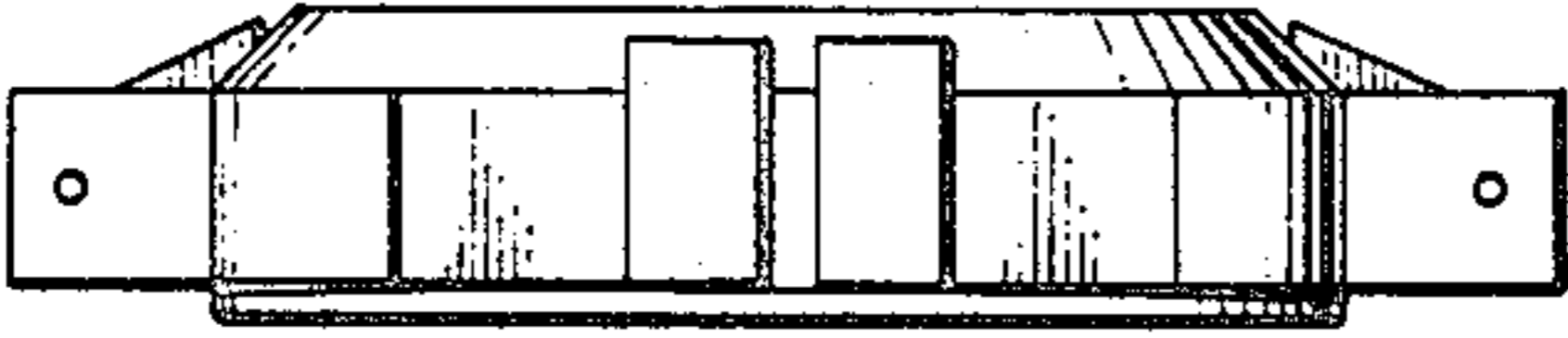
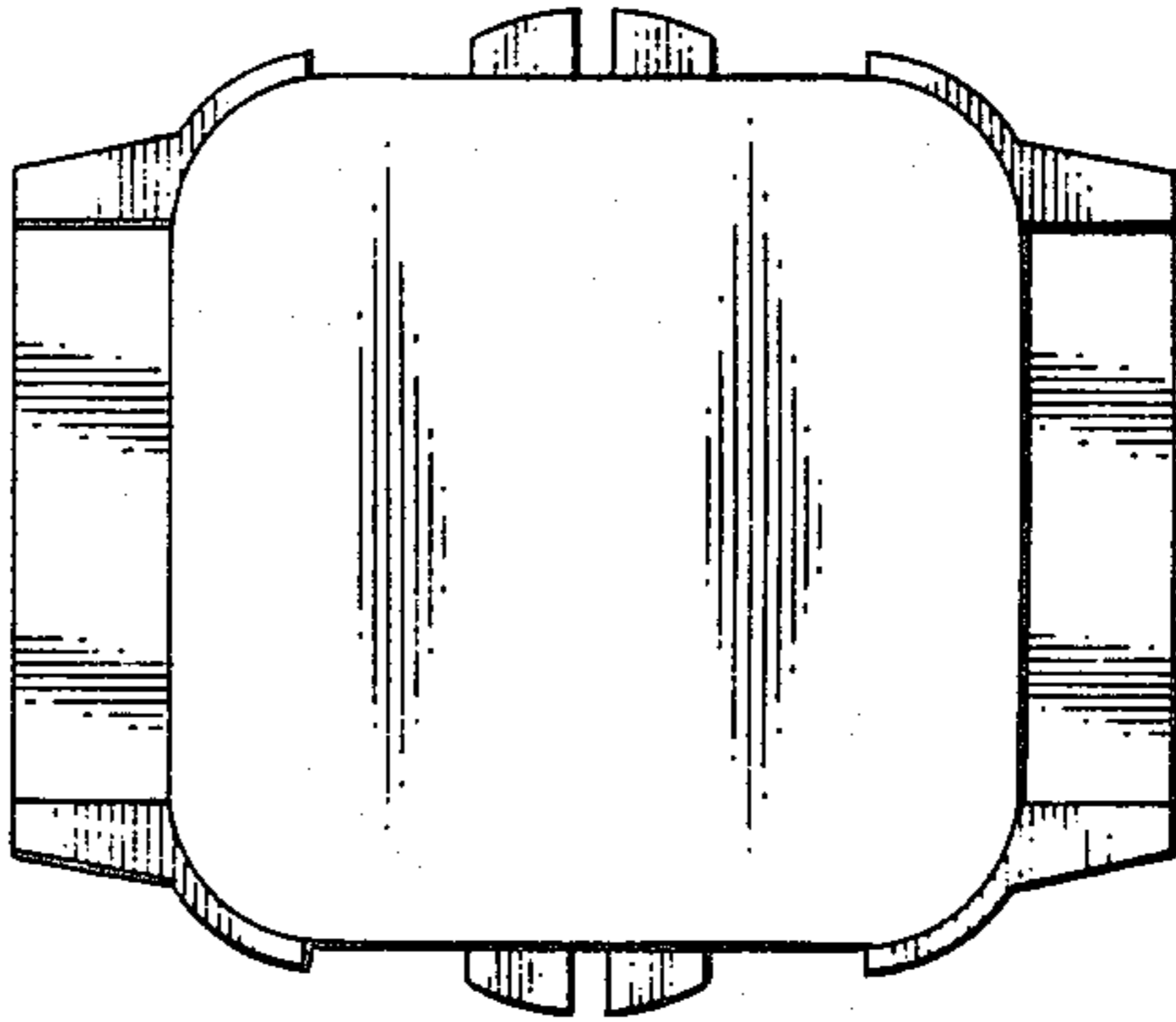


FIG. 3



FIG. 4