

[54] **TABLE CLOCK**

[75] **Inventor: Gianni Bulgari, Rome, Italy**

[73] **Assignee: Partecipazioni Bulgari, S.p.A., Rome, Italy**

[**] **Term: 14 Years**

[21] **Appl. No.: 648,772**

[22] **Filed: Sep. 10, 1984**

[30] **Foreign Application Priority Data**

Mar. 15, 1984 [IT] Italy 35649 B/84[U]

[52] **U.S. Cl.** **D10/6; D10/11; D10/28**

[58] **Field of Search** **D10/1, 6, 11, 20, 21, D10/33, 22-29, 122-126; 368/276, 277, 285**

[56] **References Cited**

U.S. PATENT DOCUMENTS

| | | | |
|------------|--------|-----------------|----------|
| D. 1,578 | 5/1862 | Otis | D10/11 X |
| D. 1,966 | 6/1864 | Dunn | D10/28 |
| D. 3,476 | 5/1869 | Terry | D10/28 |
| D. 86,660 | 4/1932 | Bisley | D10/28 |
| D. 87,292 | 7/1932 | Abel | D10/28 |
| D. 92,677 | 7/1934 | Rainbault | D10/6 |
| D. 272,049 | 1/1984 | Bulgari | D10/11 |

Primary Examiner—Nelson C. Holtje
Attorney, Agent, or Firm—Barnes, Kisselle, Raisch, Choate, Whittemore & Hulbert

[57] **CLAIM**

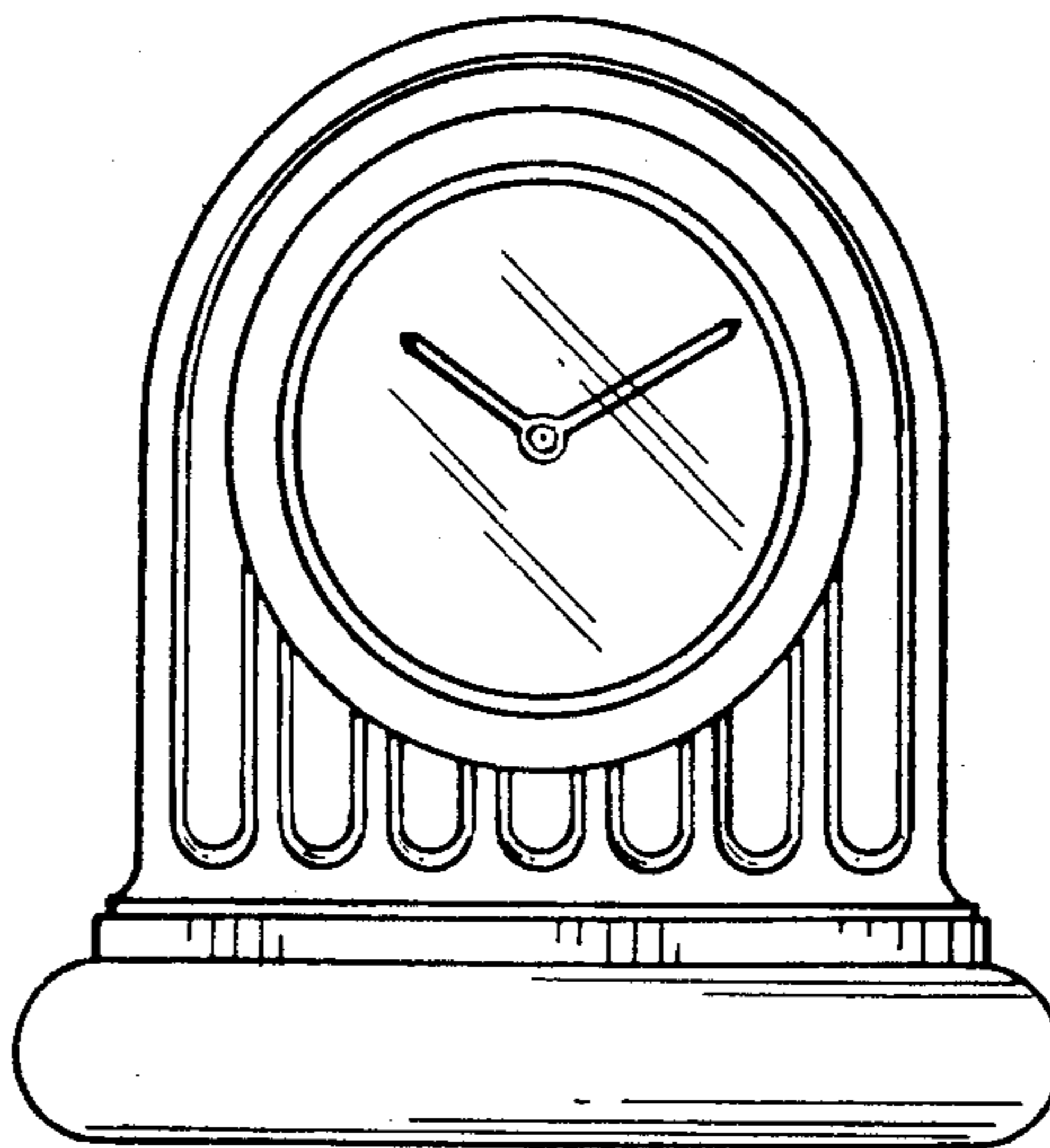
The ornamental design for a table clock, as shown and described.

DESCRIPTION

FIG. 1 is a front elevational view of a table clock showing my new design;

FIG. 2 is a right side elevational view thereof, the left side being a mirror image thereof;

FIG. 3 is a rear elevational view thereof.



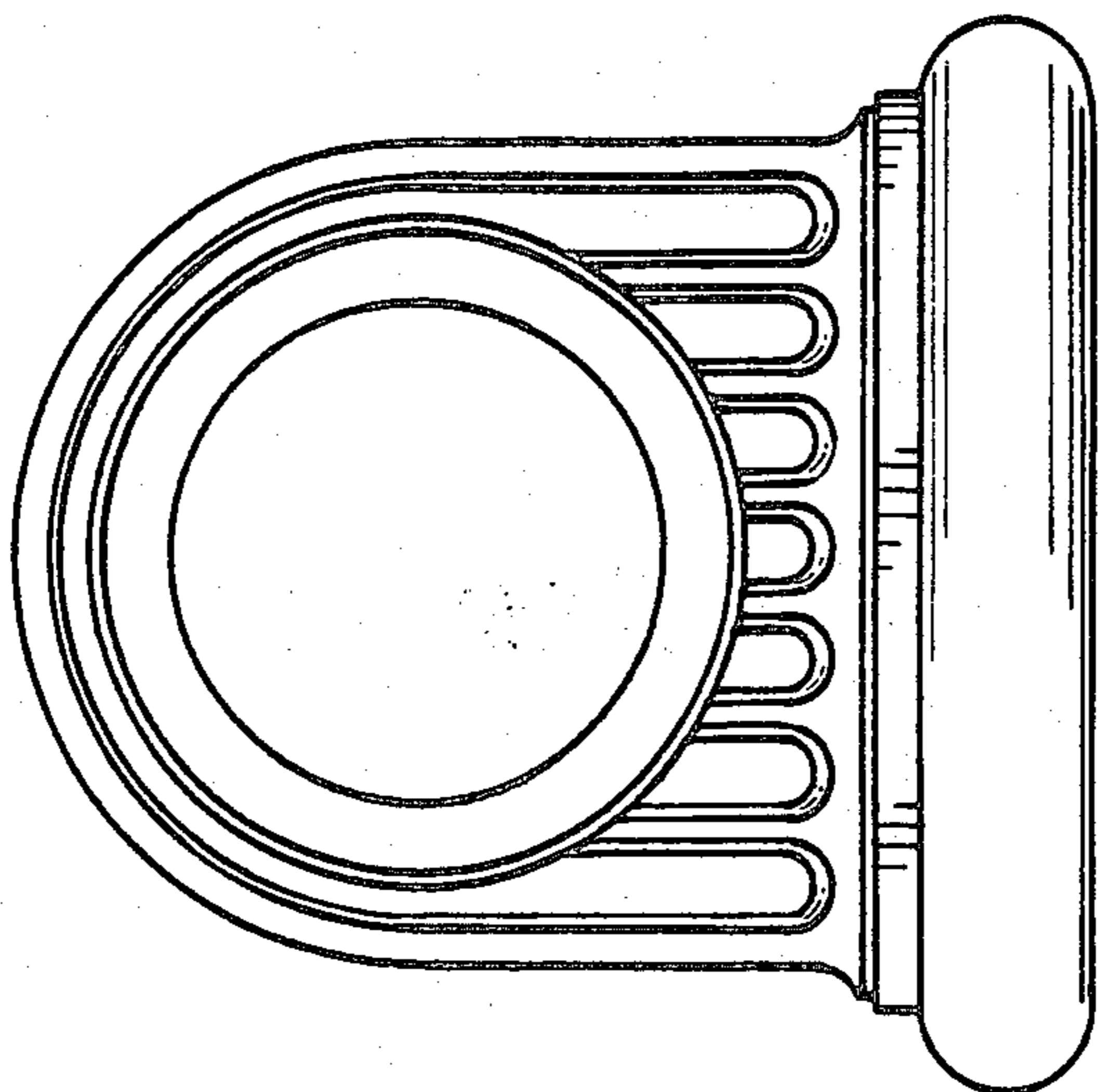


fig. 3

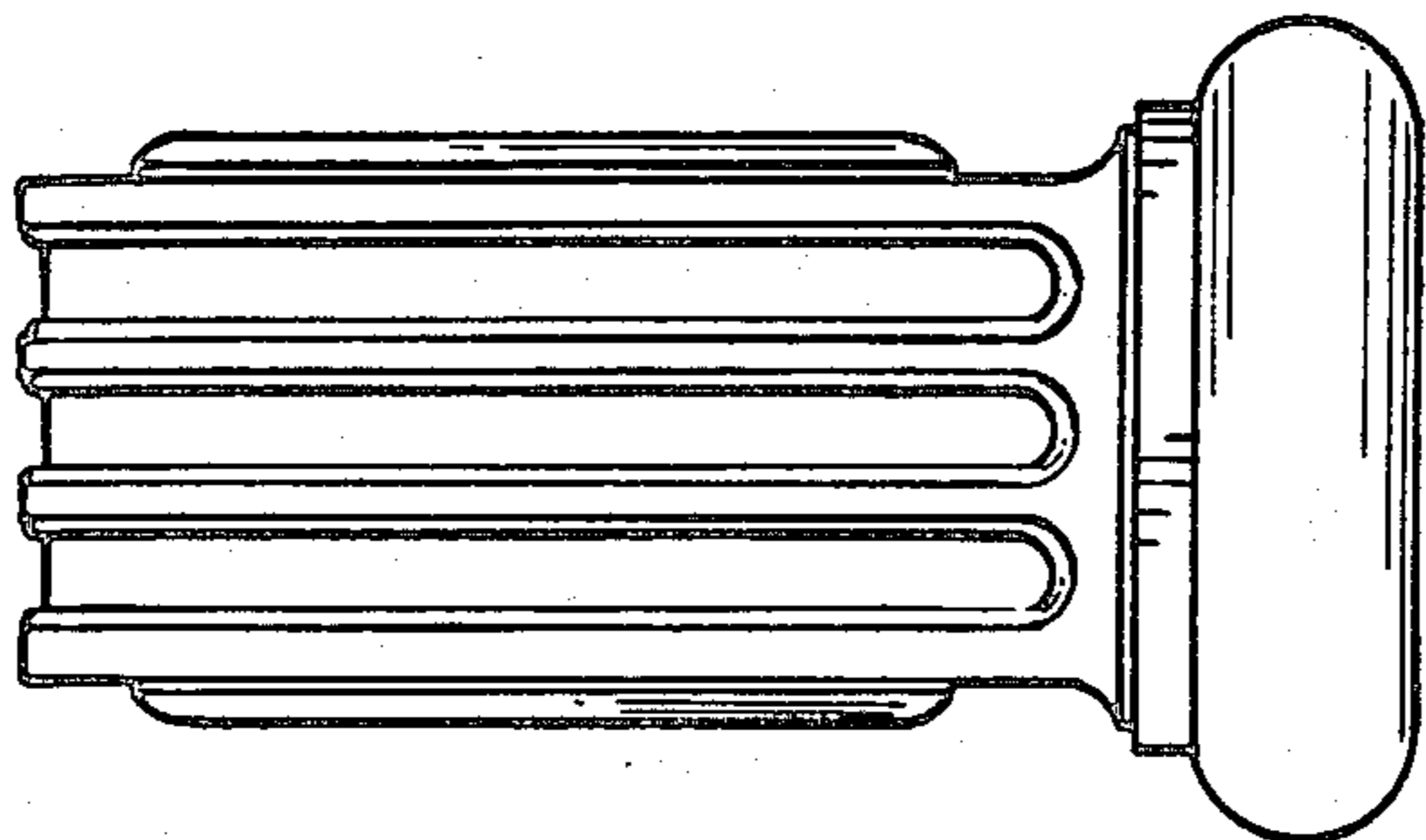


fig. 2

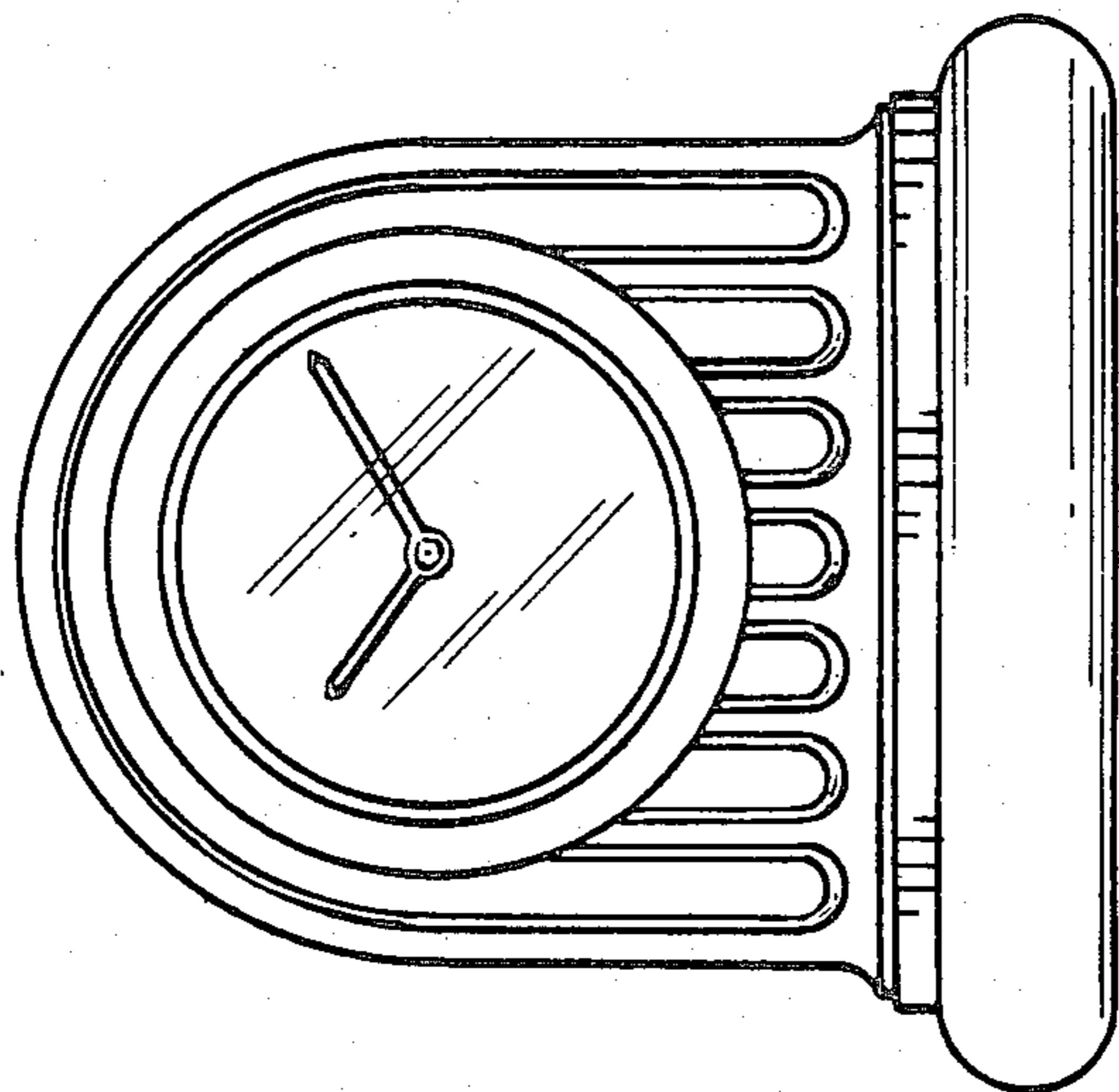


fig. 1