

- [54] CONTAINER FOR FOOD OR THE LIKE
- [75] Inventors: Michael E. Holzkopf, Libertyville;  
Thomas J. Hayes, McHenry, both of Ill.
- [73] Assignee: Ekco Products, Inc., Wheeling, Ill.
- [\*\*] Term: 14 Years
- [21] Appl. No.: 578,868
- [22] Filed: Feb. 10, 1984
- [52] U.S. Cl. .... D9/424
- [58] Field of Search ..... D9/424, 414; D7/16,  
D7/40, 83; 229/87 F; 206/45.32, 45.33, 551;  
220/4 B, 4 E

3,690,902 9/1972 Dahl ..... D7/83 X

Primary Examiner—Robert C. Spangler  
Attorney, Agent, or Firm—Neuman, Williams, Anderson & Olson

**CLAIM**

The ornamental design for a container for food or the like, as shown.

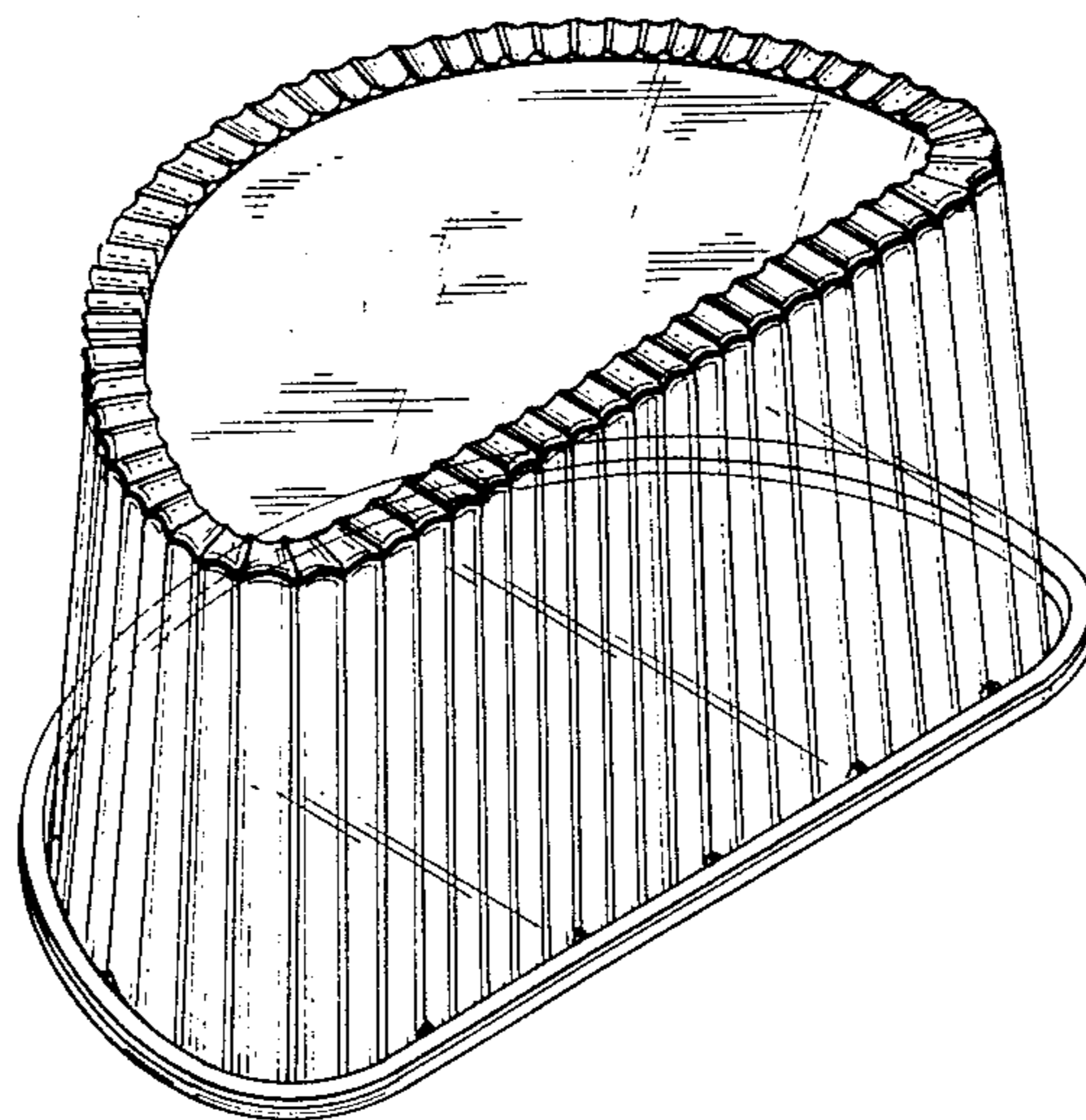
**DESCRIPTION**

FIG. 1 is a perspective view of a container for food or the like showing our new design.  
 FIG. 2 is a top plan view thereof.  
 FIG. 3 is a front elevational view thereof.  
 FIG. 4 is a right side elevational view thereof.  
 FIG. 5 is a back elevational view thereof.  
 FIG. 6 is a bottom view thereof.  
 FIG. 7 is a sectional view taken along line 7—7 of FIG. 2.  
 FIG. 8 is a perspective view of another embodiment of our new design wherein the uppermost portion of the container side wall adjacent the top wall is beveled.  
 FIG. 9 is a sectional view taken along line 9—9 of FIG. 8.

[56] **References Cited**

**U.S. PATENT DOCUMENTS**

- D. 82,327 10/1930 Kempter ..... D7/83
- D. 116,150 8/1939 Sharlitt et al. .... D7/83
- D. 190,751 6/1961 Schwartz ..... D7/83
- D. 195,699 7/1963 Bostrom ..... D9/429
- D. 213,718 4/1969 Bliss ..... D7/083
- D. 227,226 6/1973 Bird ..... D9/425
- 3,154,215 10/1964 Vesconte ..... 229/1.5 R



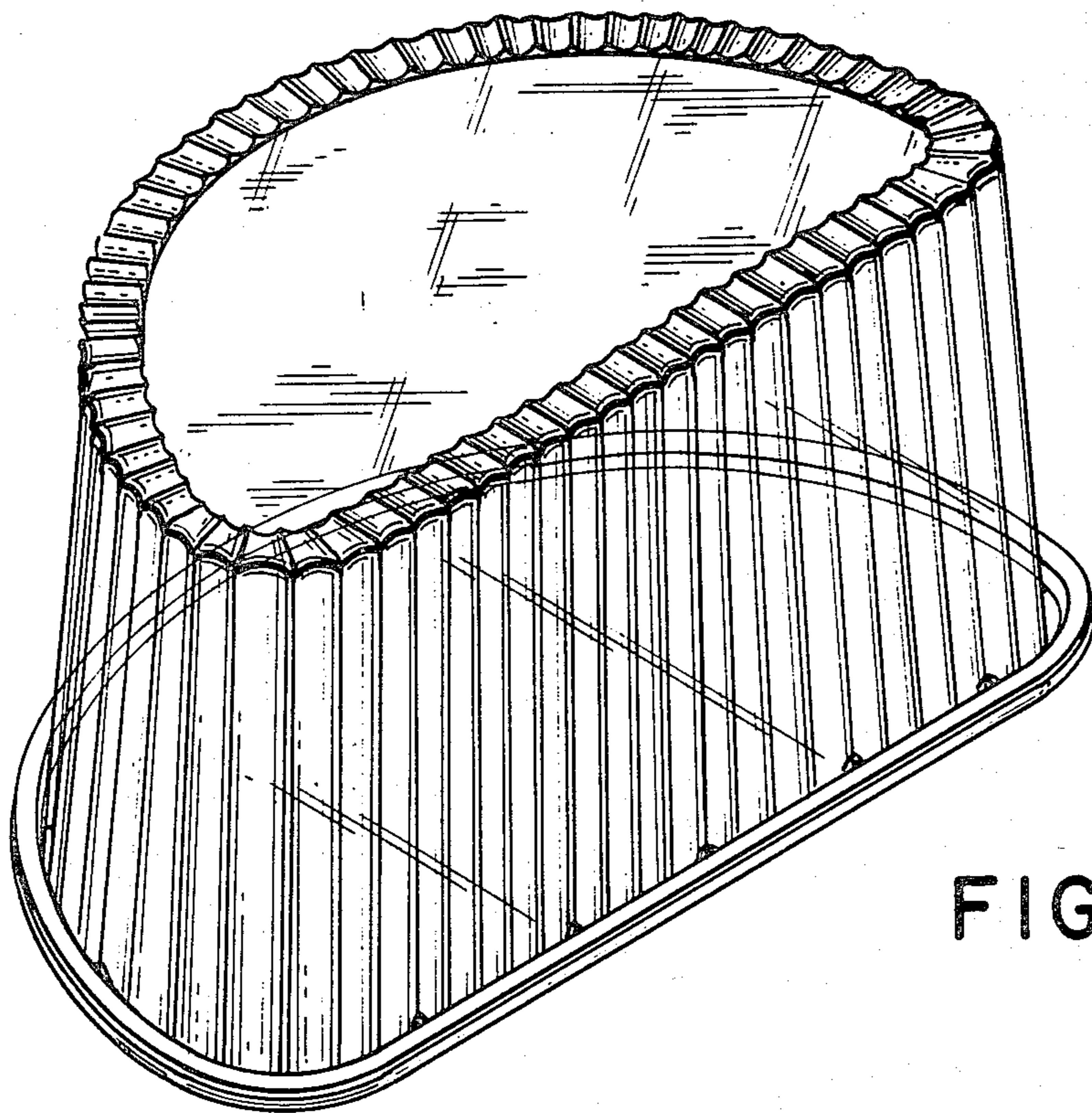


FIG. 1

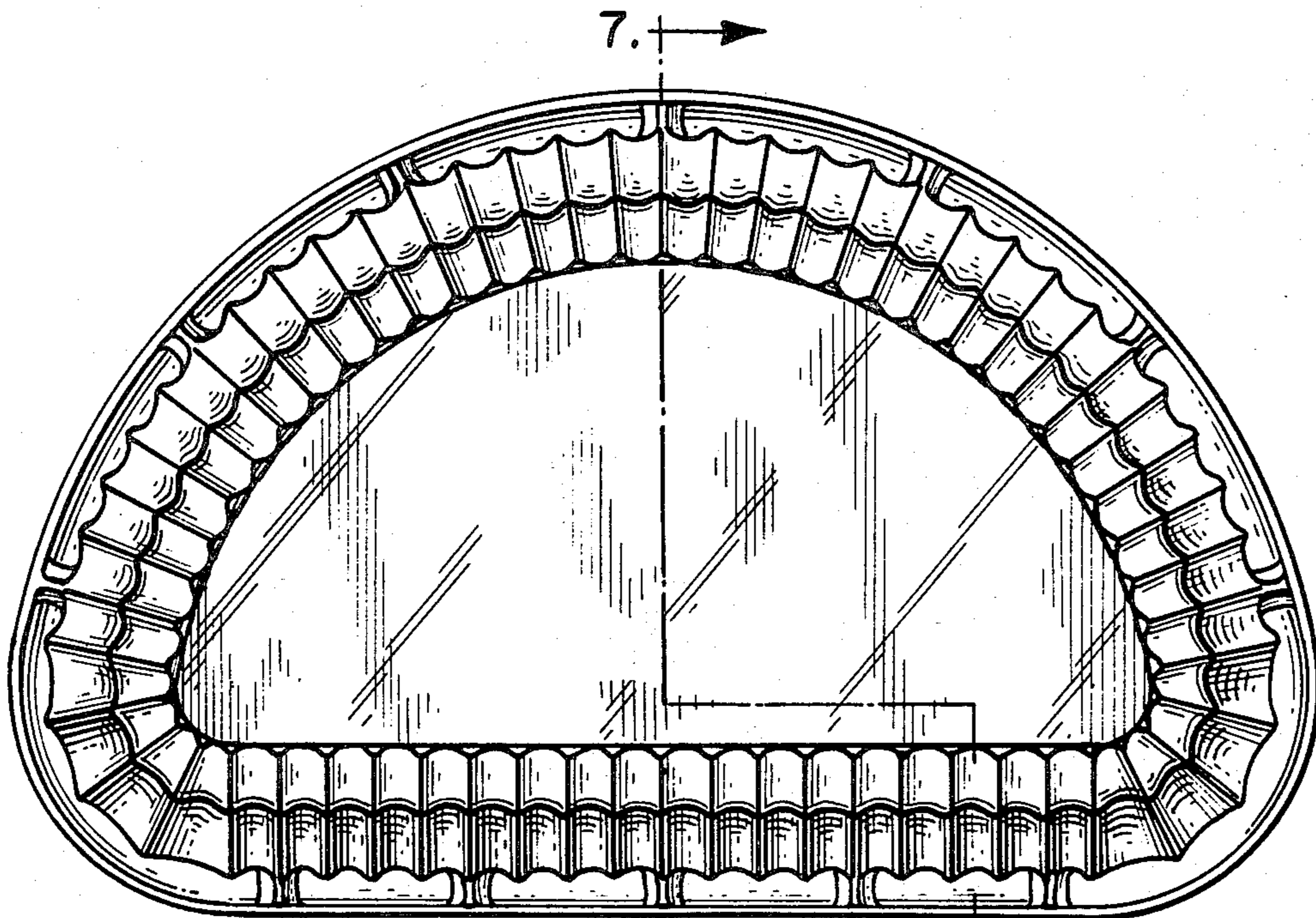


FIG. 2



FIG. 3

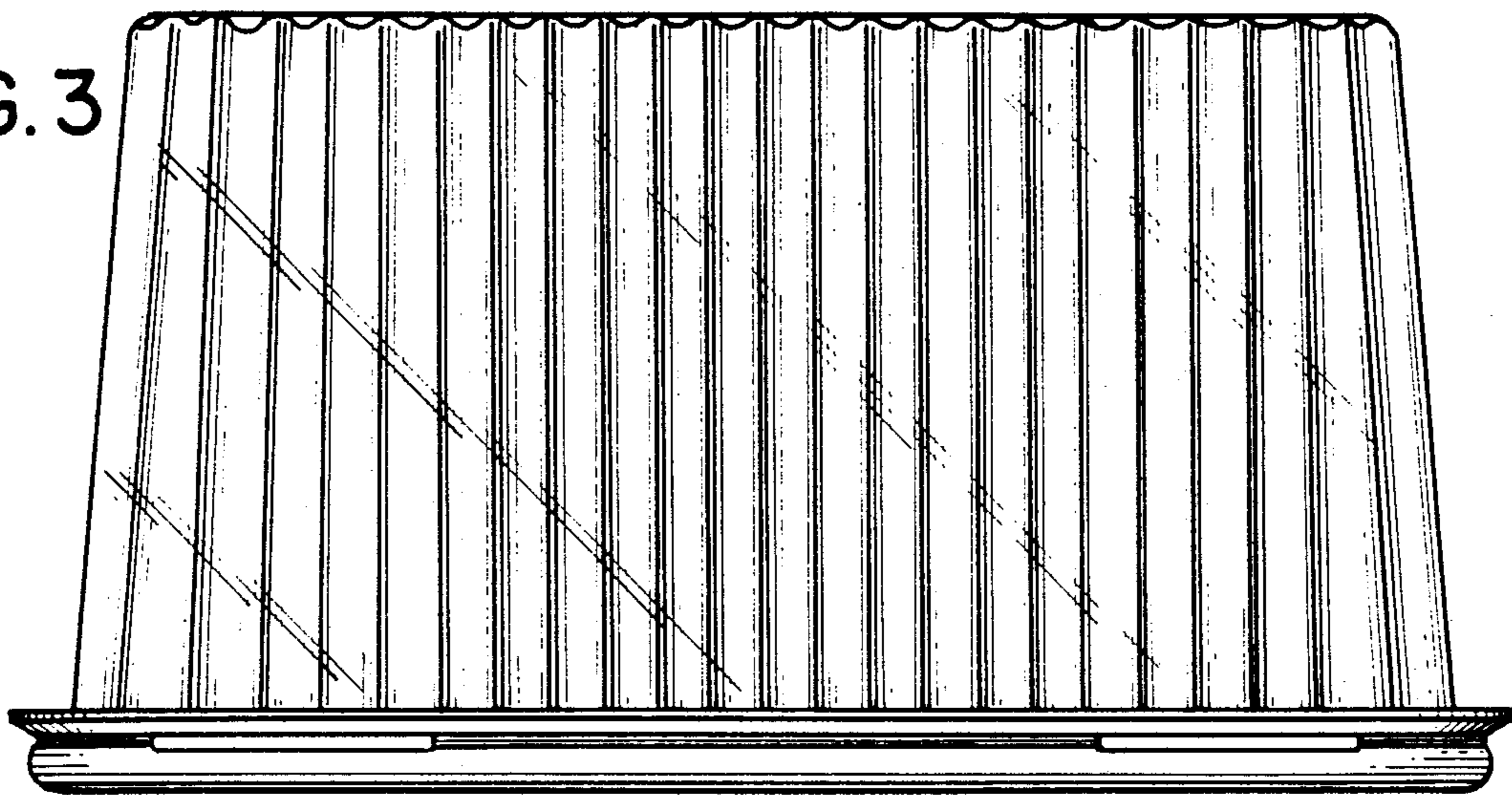


FIG. 4

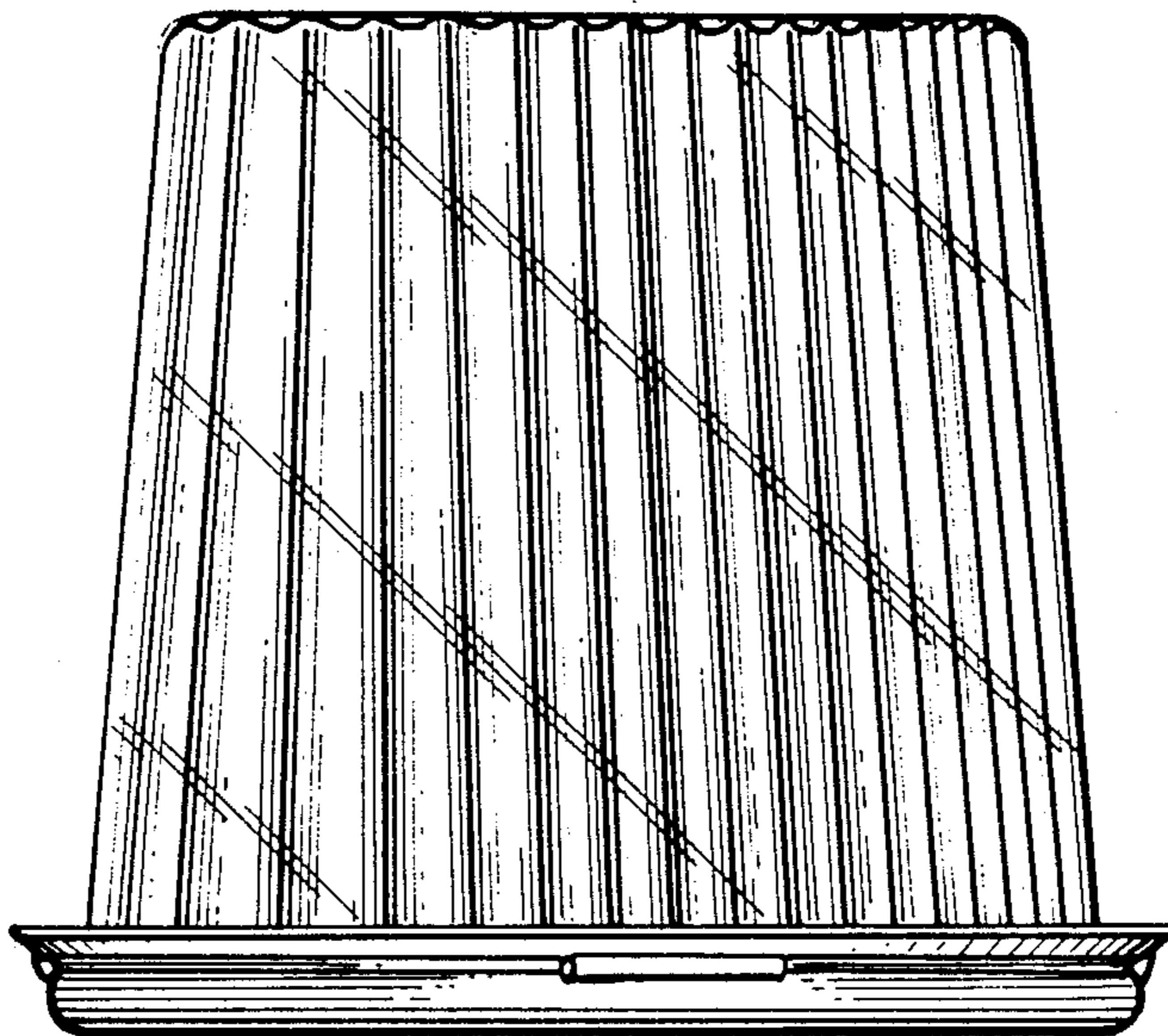


FIG. 5

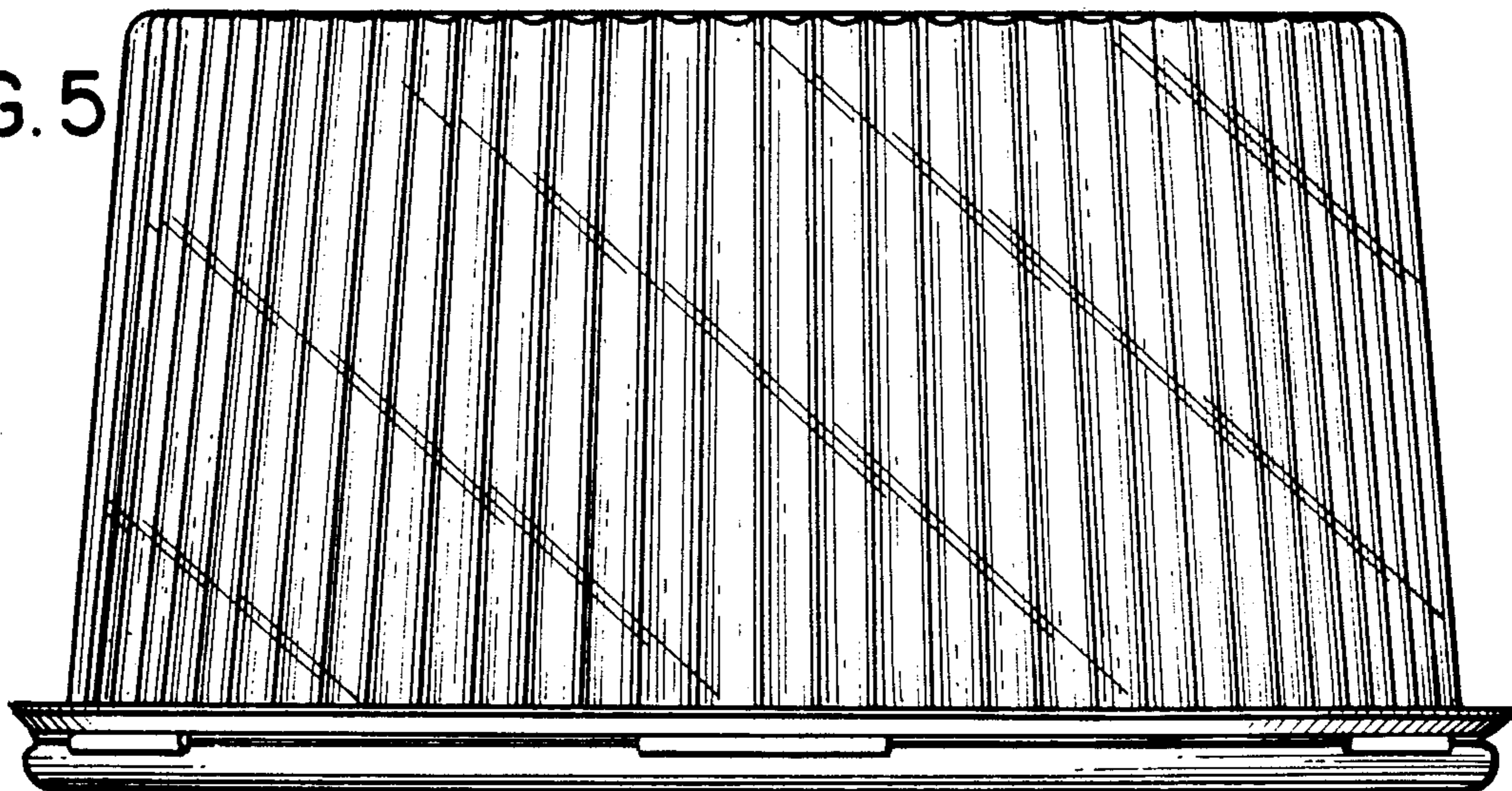


FIG. 7

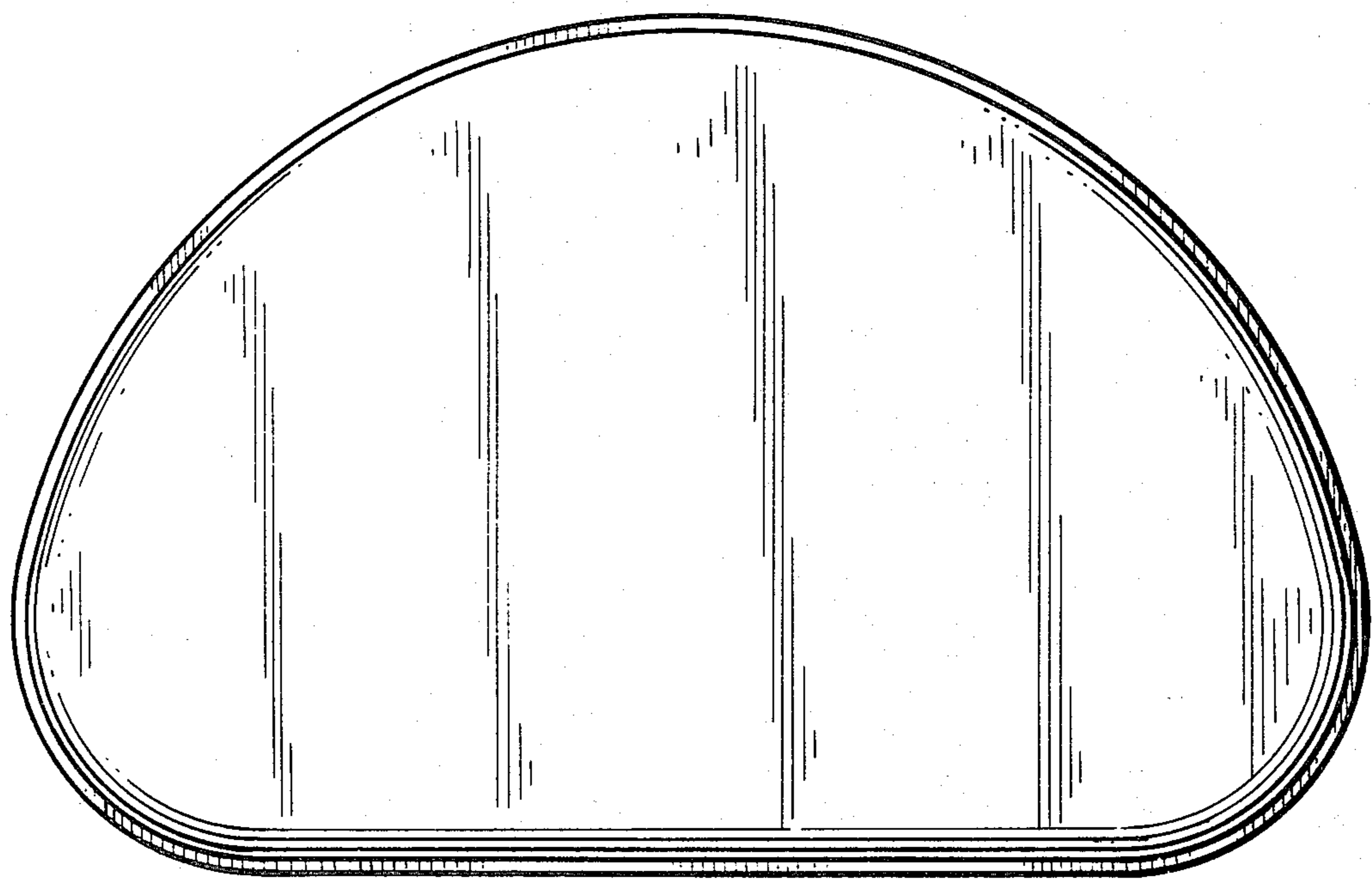
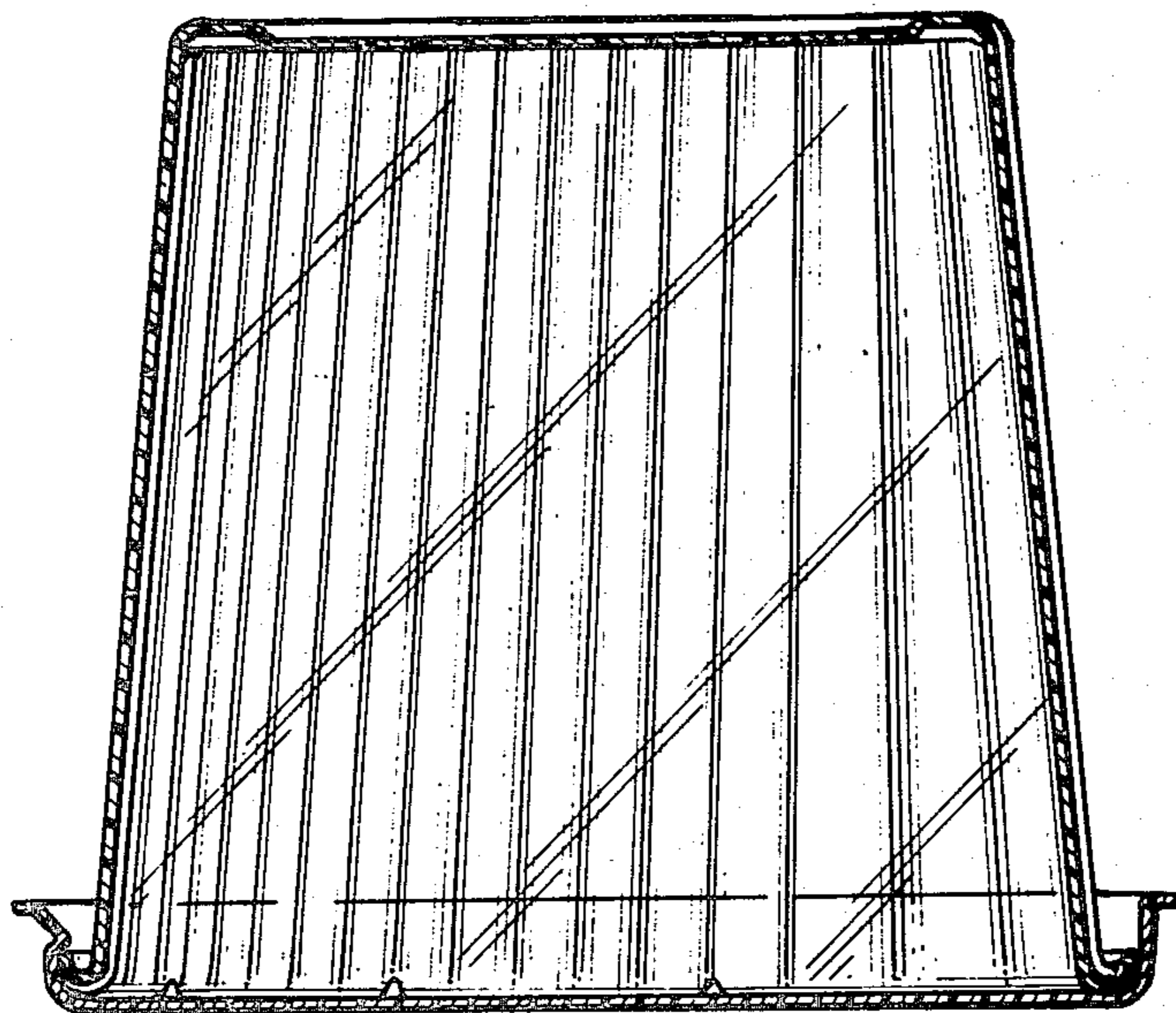


FIG. 6

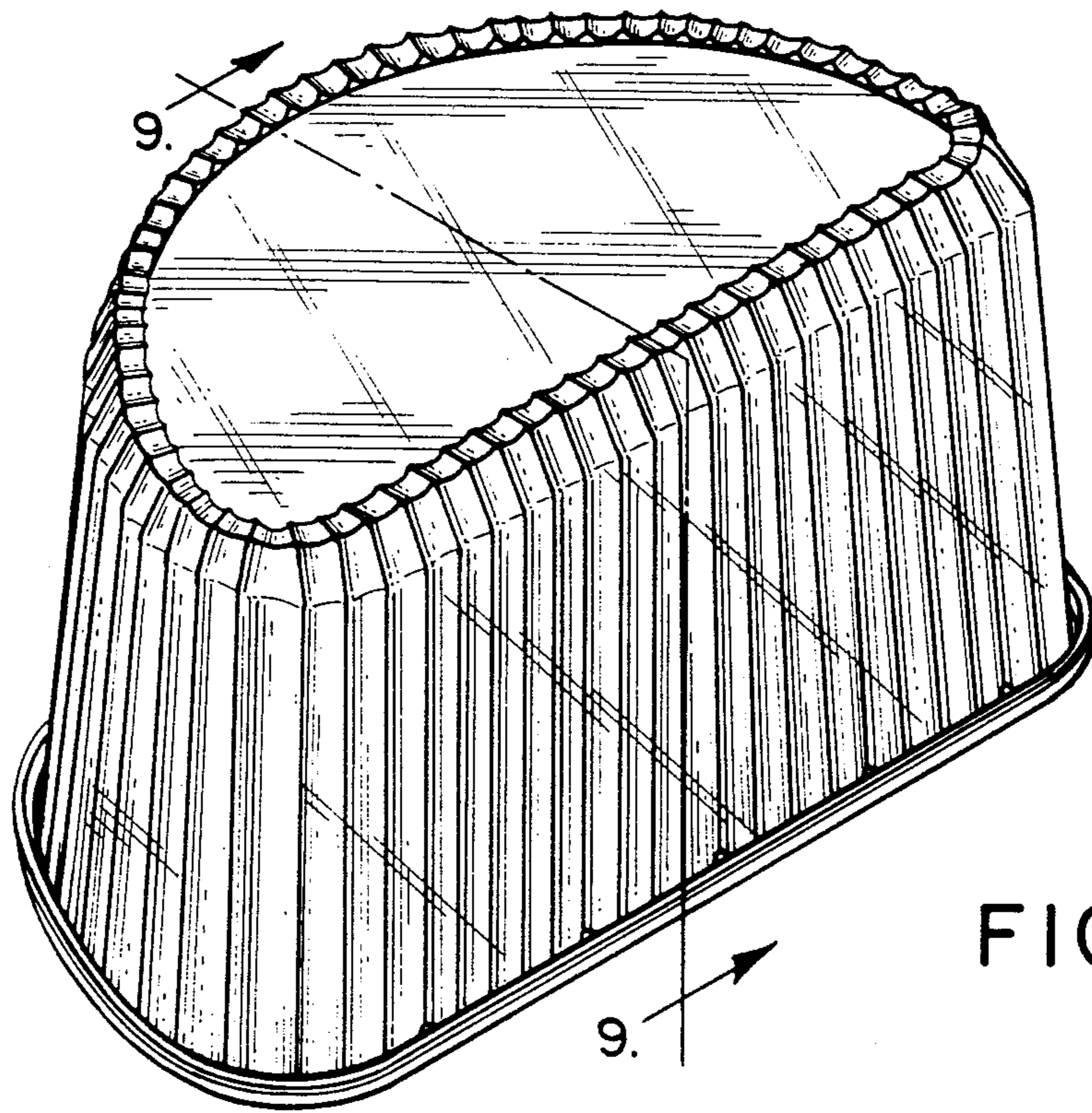


FIG. 8

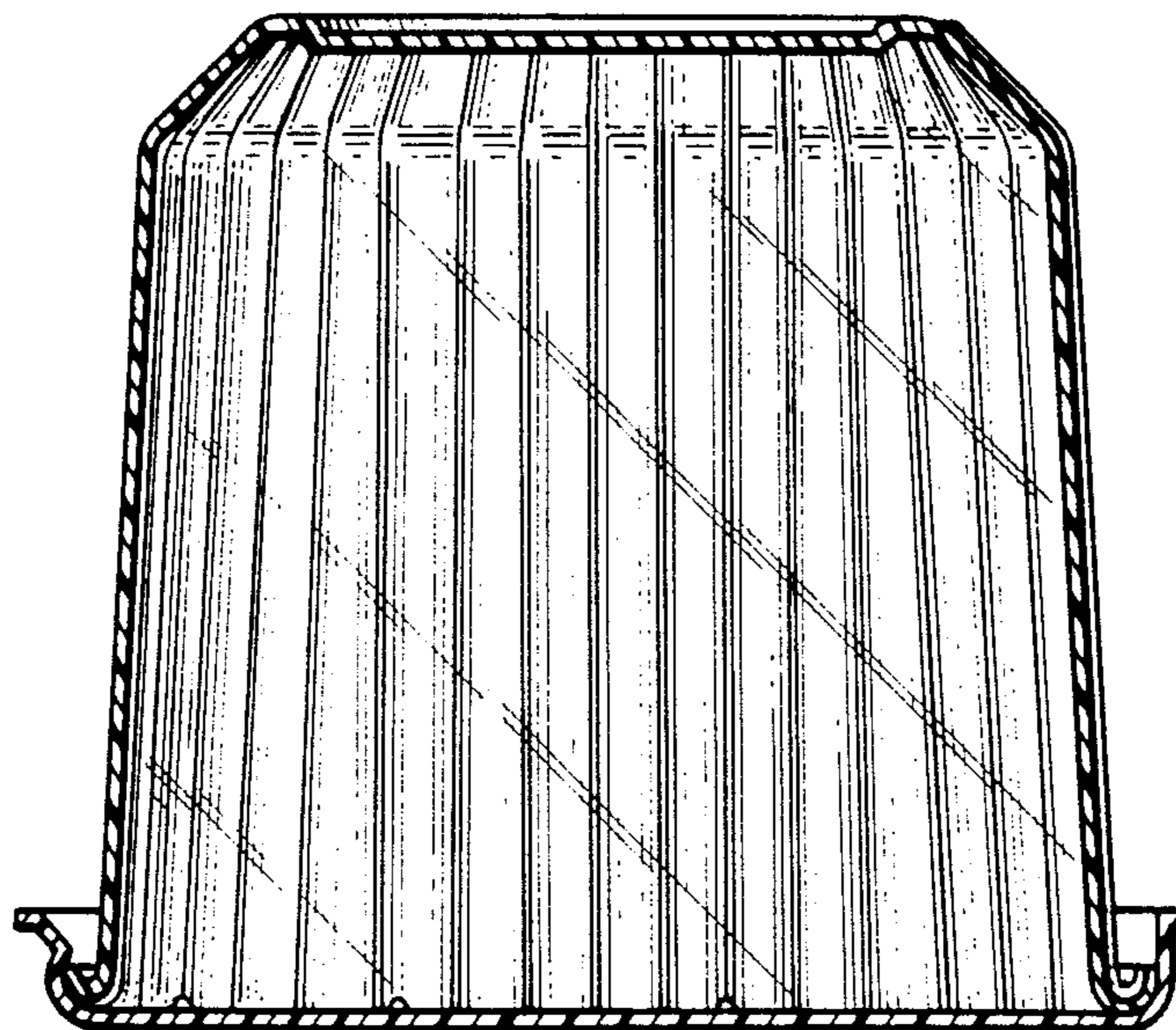


FIG. 9