

[54] **MULTI-STONE HONE**

[75] Inventor: **Carl T. Moody, Benton, Ark.**
[73] Assignee: **Arkansas Hones, Inc., Malvern, Ark.**
[**] Term: **14 Years**
[21] Appl. No.: **669,346**
[22] Filed: **Nov. 8, 1984**
[52] U.S. Cl. **D8/91**
[58] Field of Search **D8/71, 90-94;**
51/157, 158, 211 R, 211 H, 212, 214, 221 BS,
205 WG; 72/83, 88

[56] **References Cited**

U.S. PATENT DOCUMENTS

D. 266,274	9/1982	Arns	D8/71 X
1,098,672	6/1914	Lynch	51/214
1,959,647	5/1934	Stivers	51/211 R
3,280,514	10/1966	Raymond	51/211 R
3,643,328	2/1972	Wainwright, Jr.	76/88 X
3,797,334	3/1974	Sinclair	D8/91 X

FOREIGN PATENT DOCUMENTS

280595	1/1952	Switzerland	51/211 R
--------	--------	-------------	-------	----------

OTHER PUBLICATIONS

Gutman Cutlery, Inc. Catalog No. 21, p. 58—Ceramic Sharpening Rods #23-111.

Primary Examiner—Susan J. Lucas
Assistant Examiner—C. E. Heflin
Attorney, Agent, or Firm—Stephen D. Carver

[57] **CLAIM**

The ornamental design for a multi-stone hone, as shown and described.

DESCRIPTION

FIG. 1 is a front elevational view of the multi-stone hone showing my new design;
FIG. 2 is an isometric view thereof;
FIG. 3 is a right end elevational view thereof;
FIG. 4 is a left end elevational view thereof;
FIG. 5 is a top plan view thereof;
FIG. 6 is a rear elevational view thereof;
FIG. 7 is a bottom plan view thereof;
FIG. 8 is a sectional view thereof taken along line 8—8 of FIG. 1;
FIG. 9 is a sectional view thereof taken along line 9—9 of FIG. 1;
FIG. 10 is a sectional view thereof taken along line 10—10 of FIG. 4.

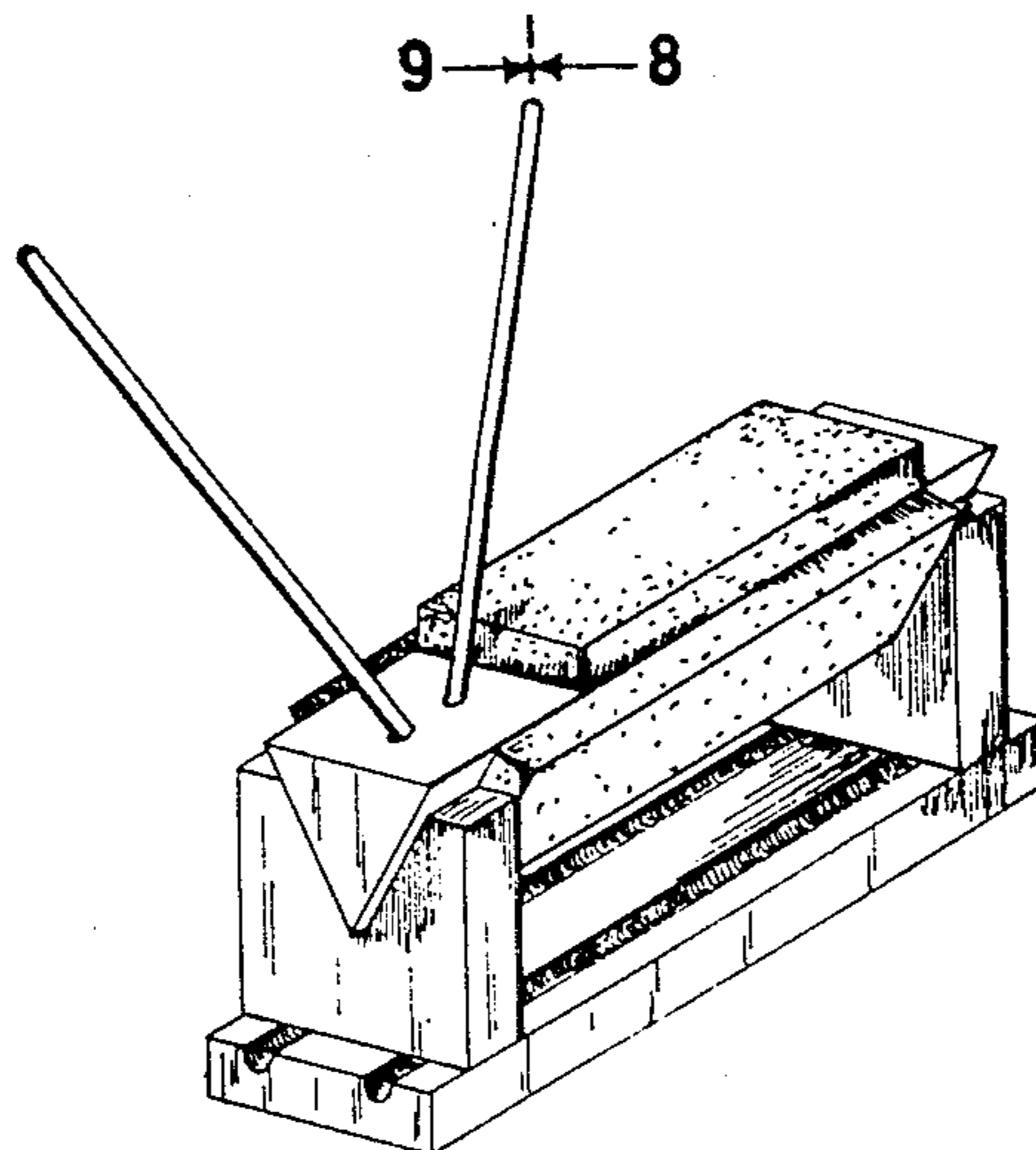


FIG. 1

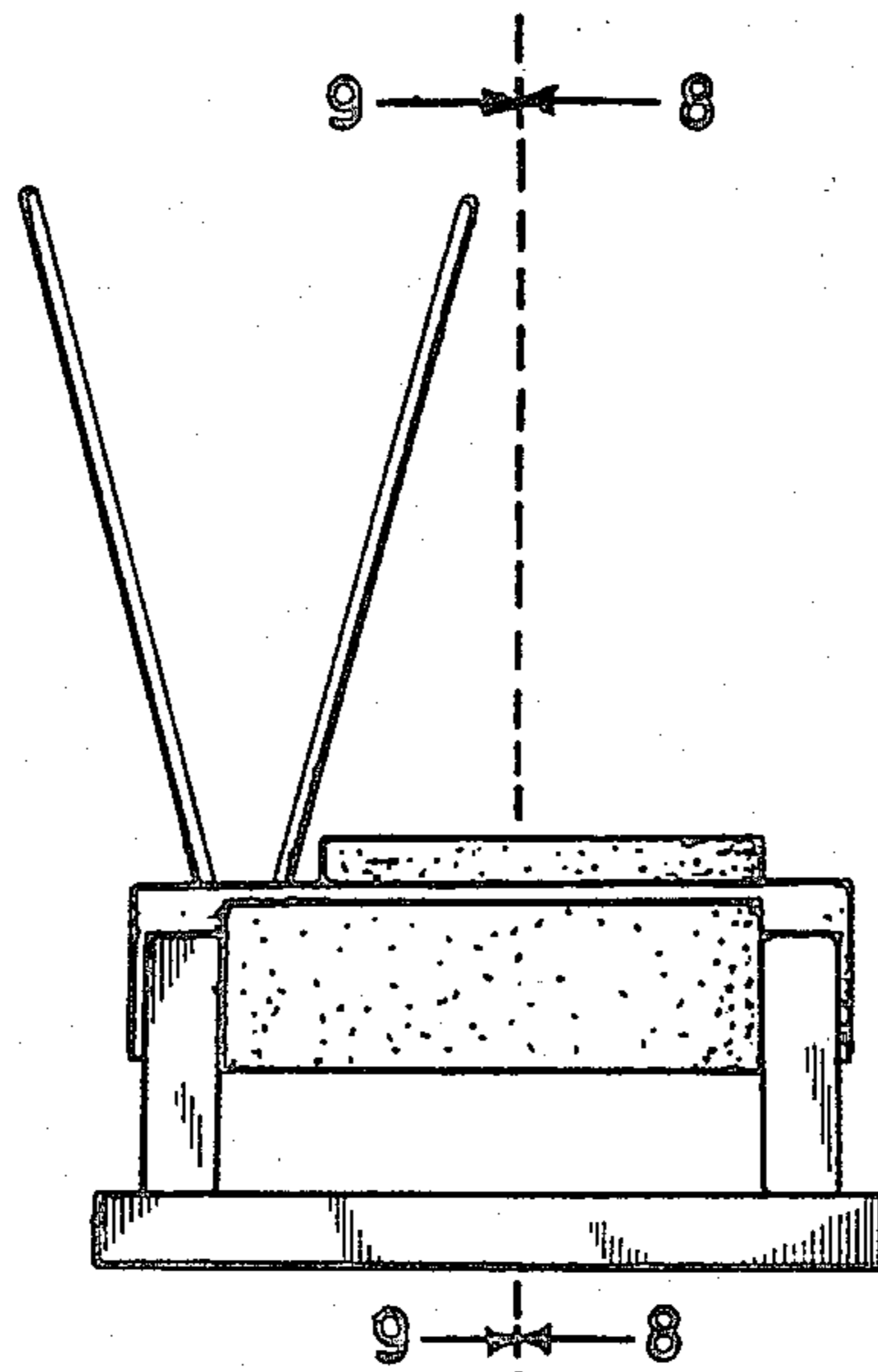


FIG. 2

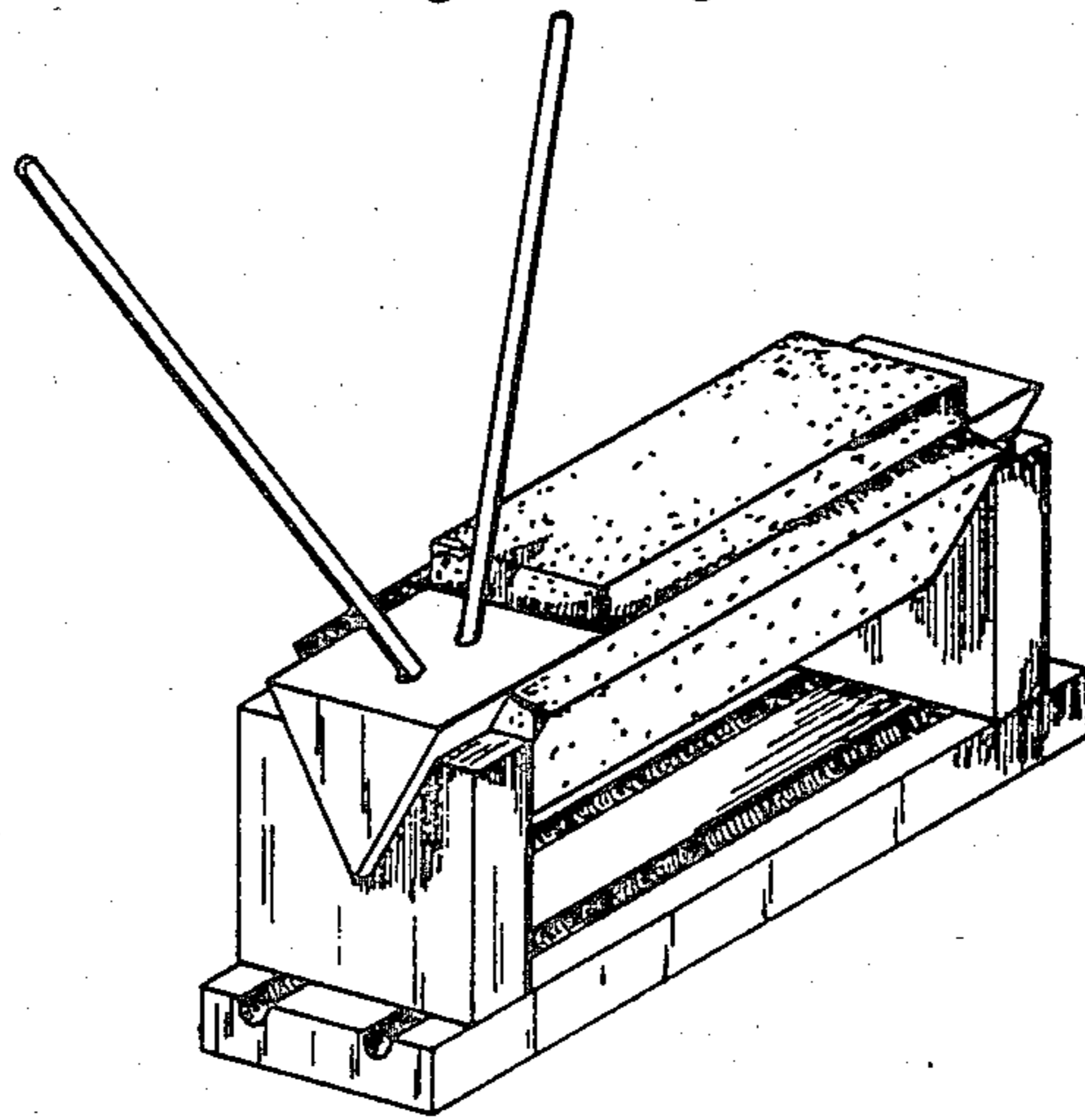


FIG. 3

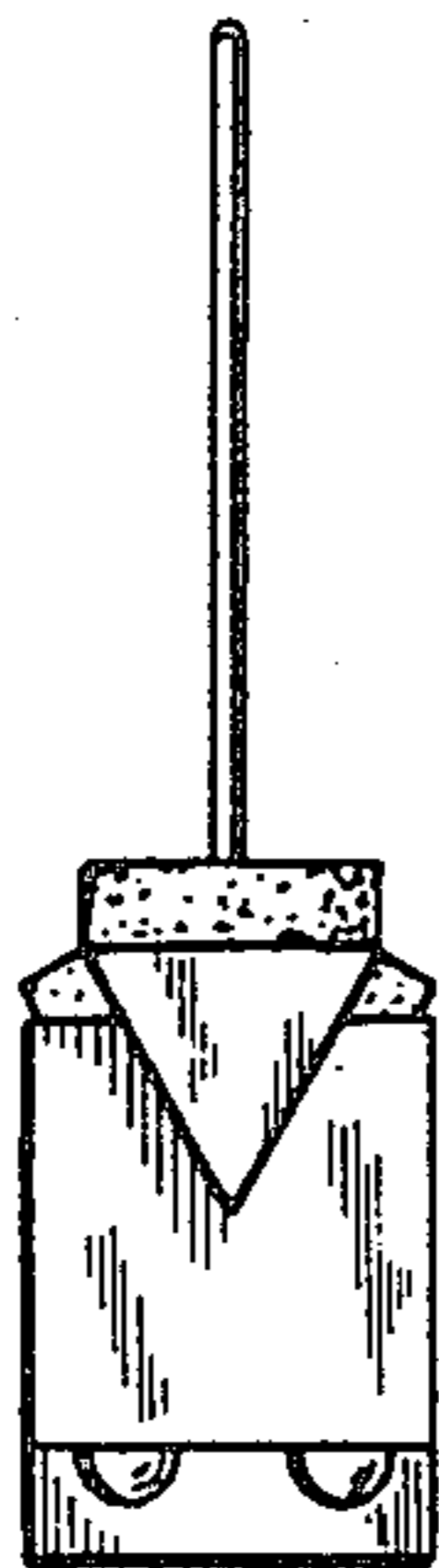


FIG. 4

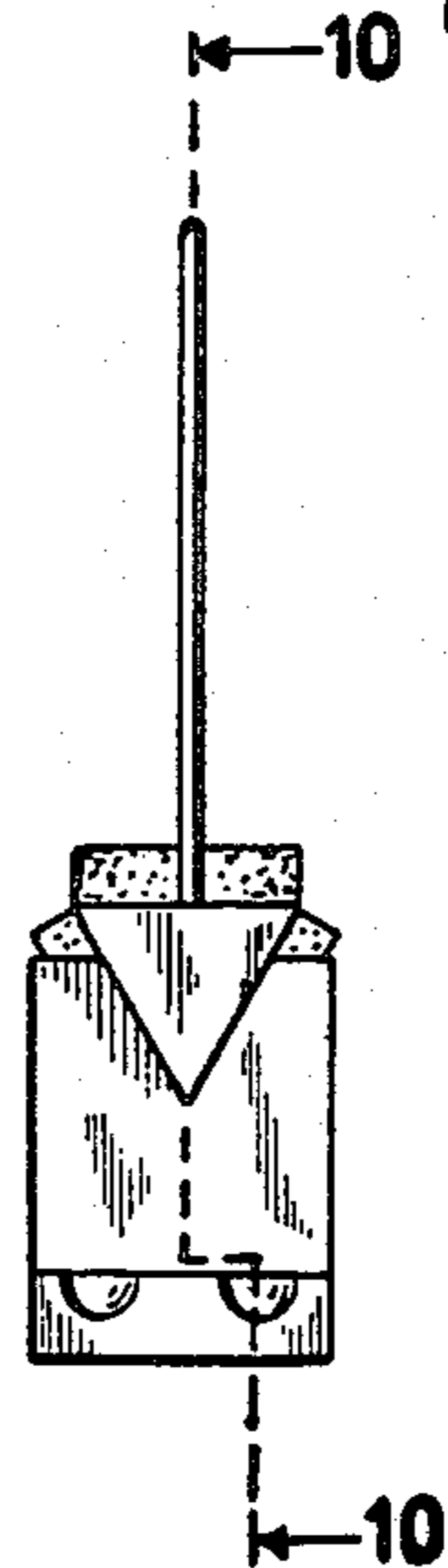


FIG. 5

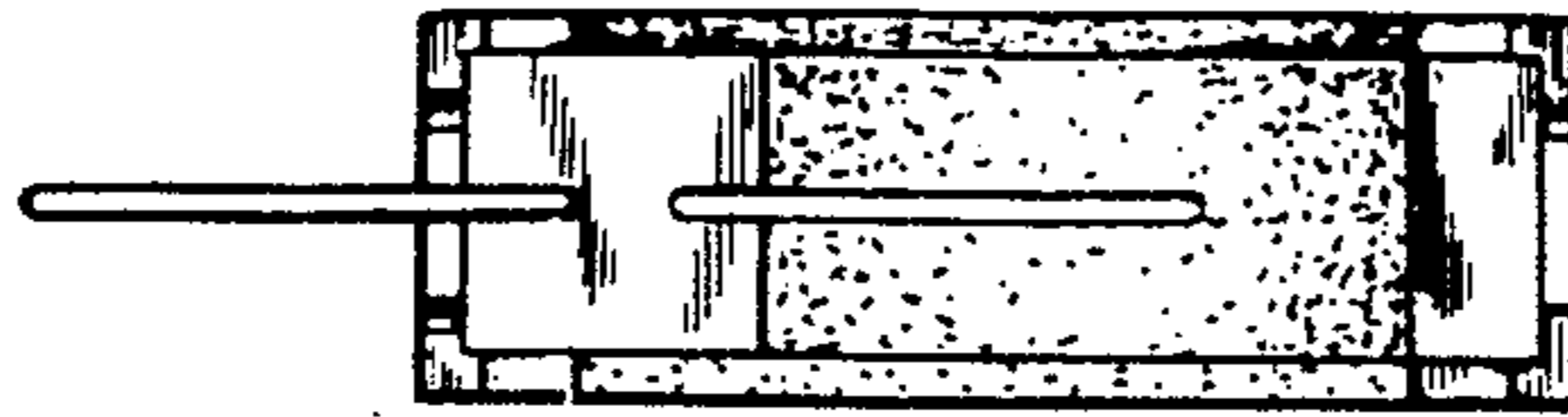


FIG. 6

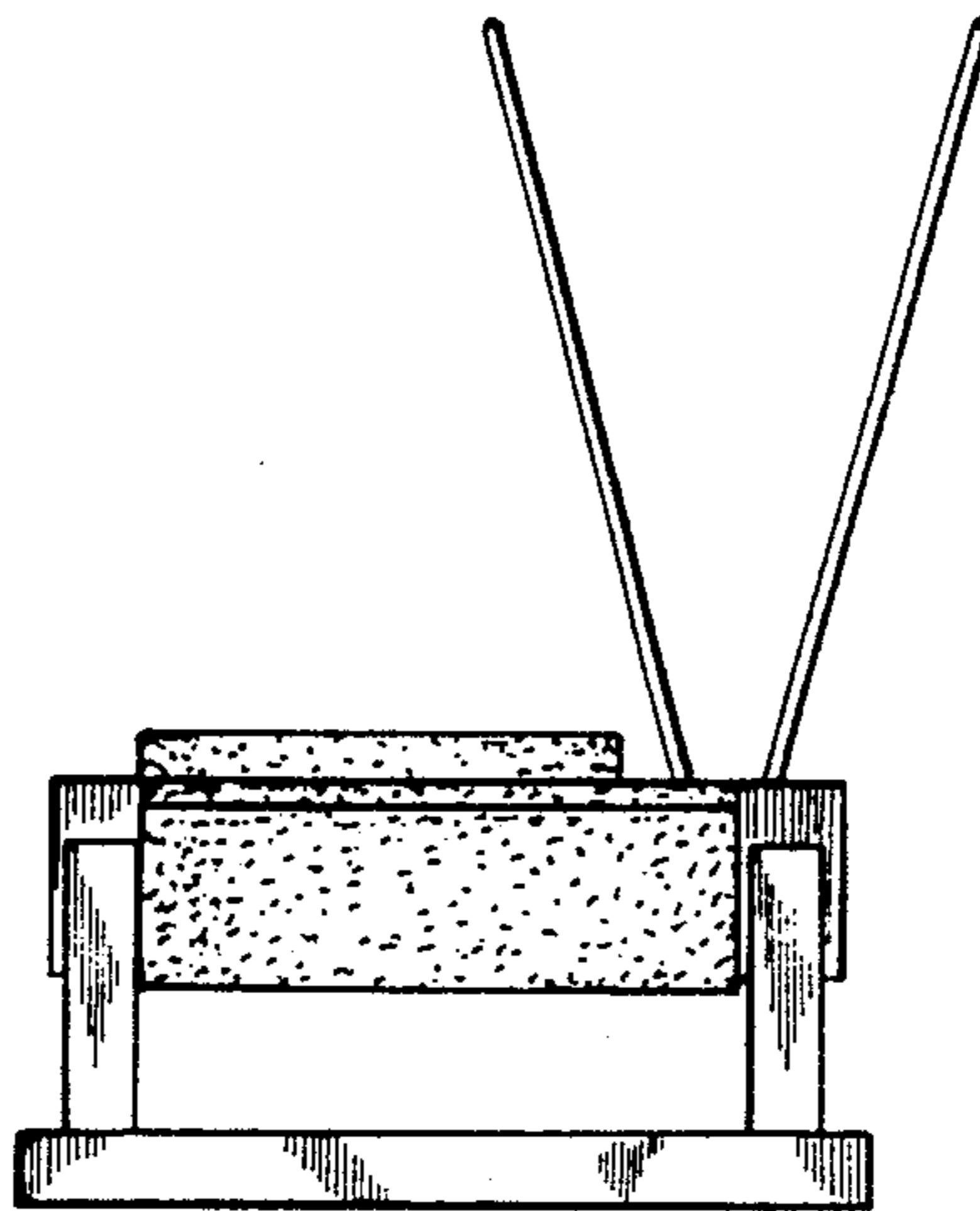


FIG. 7

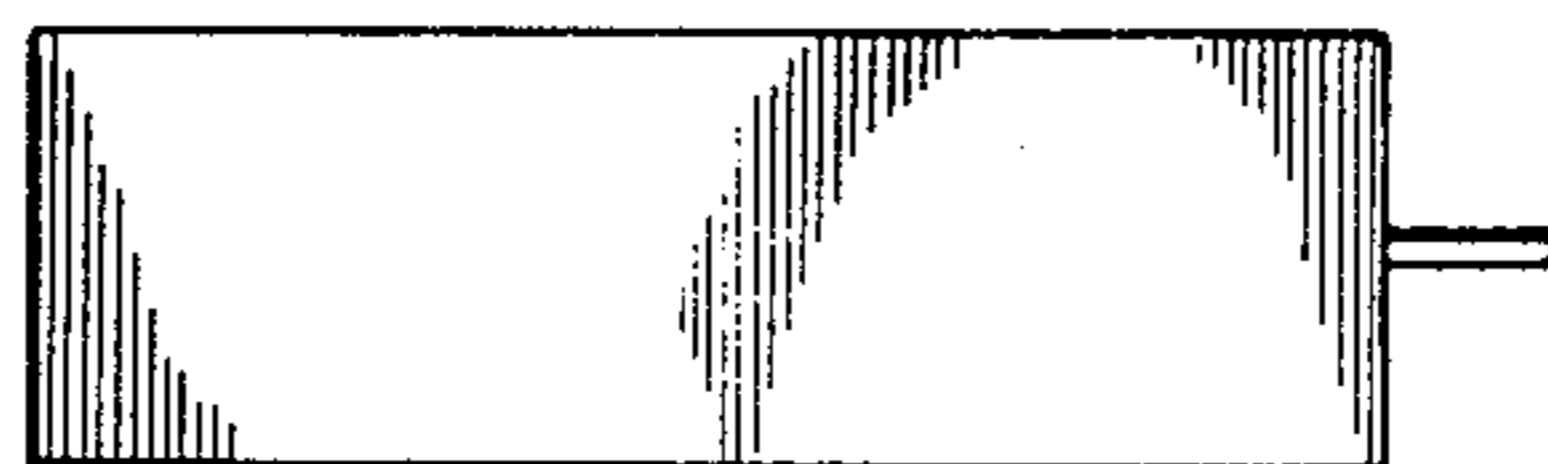


FIG. 8

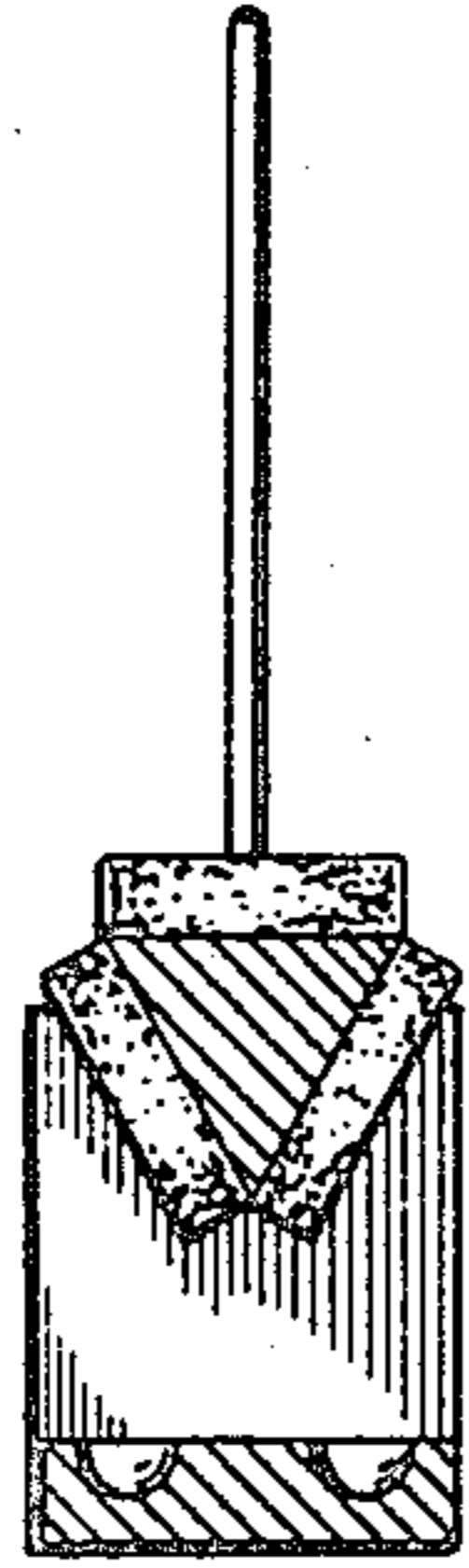


FIG. 9

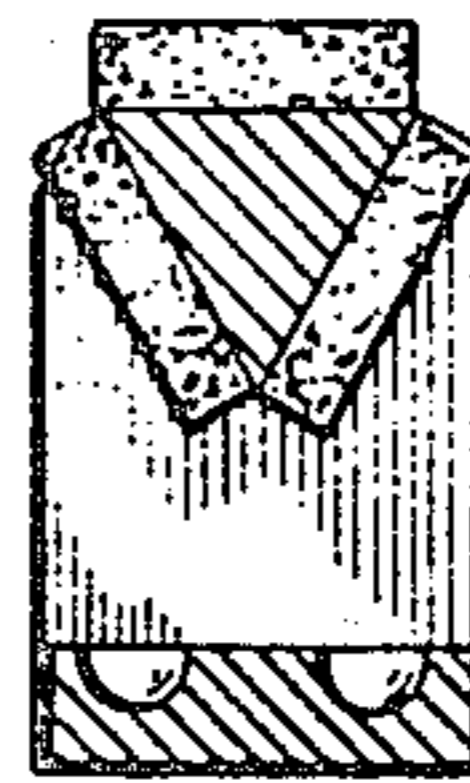


FIG. 10

