

United States Patent [19]

Wilson et al.

[11] Patent Number: **Des. 290,221**

[45] Date of Patent: **** Jun. 9, 1987**

[54] STAND FOR A HOT AIR GUN

[75] Inventors: **Peter H. Wilson; Laurence T. Cunningham**, both of Stockton-on-Tees, England

[73] Assignee: **Black & Decker Inc.**, Newark, Del.

[**] Term: **14 Years**

[21] Appl. No.: **657,396**

[22] Filed: **Oct. 3, 1984**

[30] Foreign Application Priority Data

Apr. 12, 1984 [GB] United Kingdom 1,019,063

[52] U.S. Cl. **D8/71; D28/17**

[58] Field of Search **D8/14, 71; D28/17; 219/242; D6/512, 553; 248/126, 146, 176, 117.2**

[56] References Cited

U.S. PATENT DOCUMENTS

3,964,708 6/1976 Reeves 219/242

4,333,623 6/1982 May 248/176

FOREIGN PATENT DOCUMENTS

0056188 7/1982 European Pat. Off. .
0382385 11/1964 Switzerland D28/17
2064319 6/1981 United Kingdom .

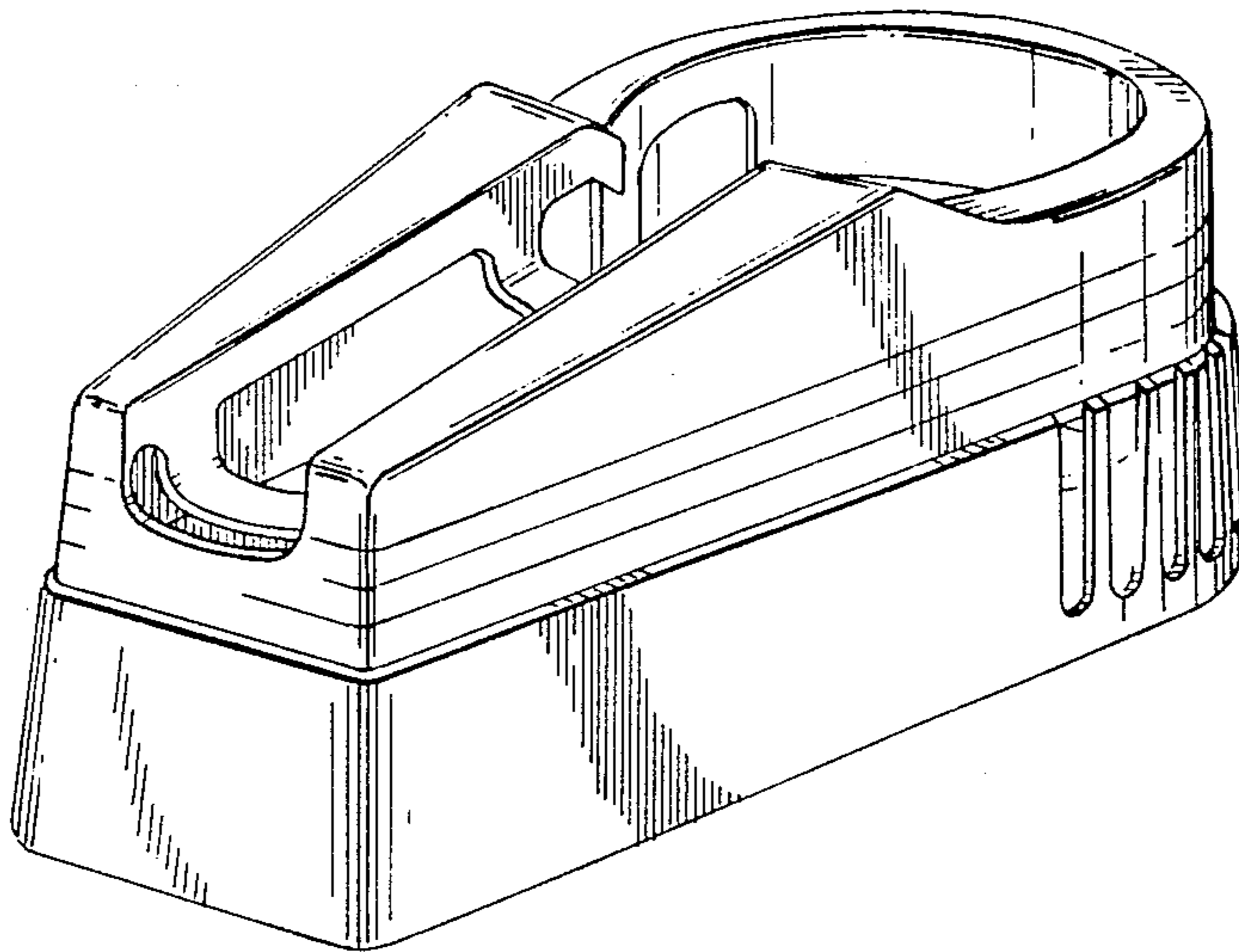
Primary Examiner—B. J. Bullock
Attorney, Agent, or Firm—Edward D. Murphy; Charles E. Yocum; Edward D. C. Bartlett

[57] CLAIM

The ornamental design for a stand for a hot air gun, as shown.

DESCRIPTION

FIG. 1 is a top perspective view of a stand for a hot air gun showing my new design;
FIG. 2 is a top view thereof;
FIG. 3 is a bottom view thereof;
FIG. 4 is a side view of the side opposite that shown in FIG. 1;
FIG. 5 is a right end view thereof;
FIG. 6 is a left end view thereof.



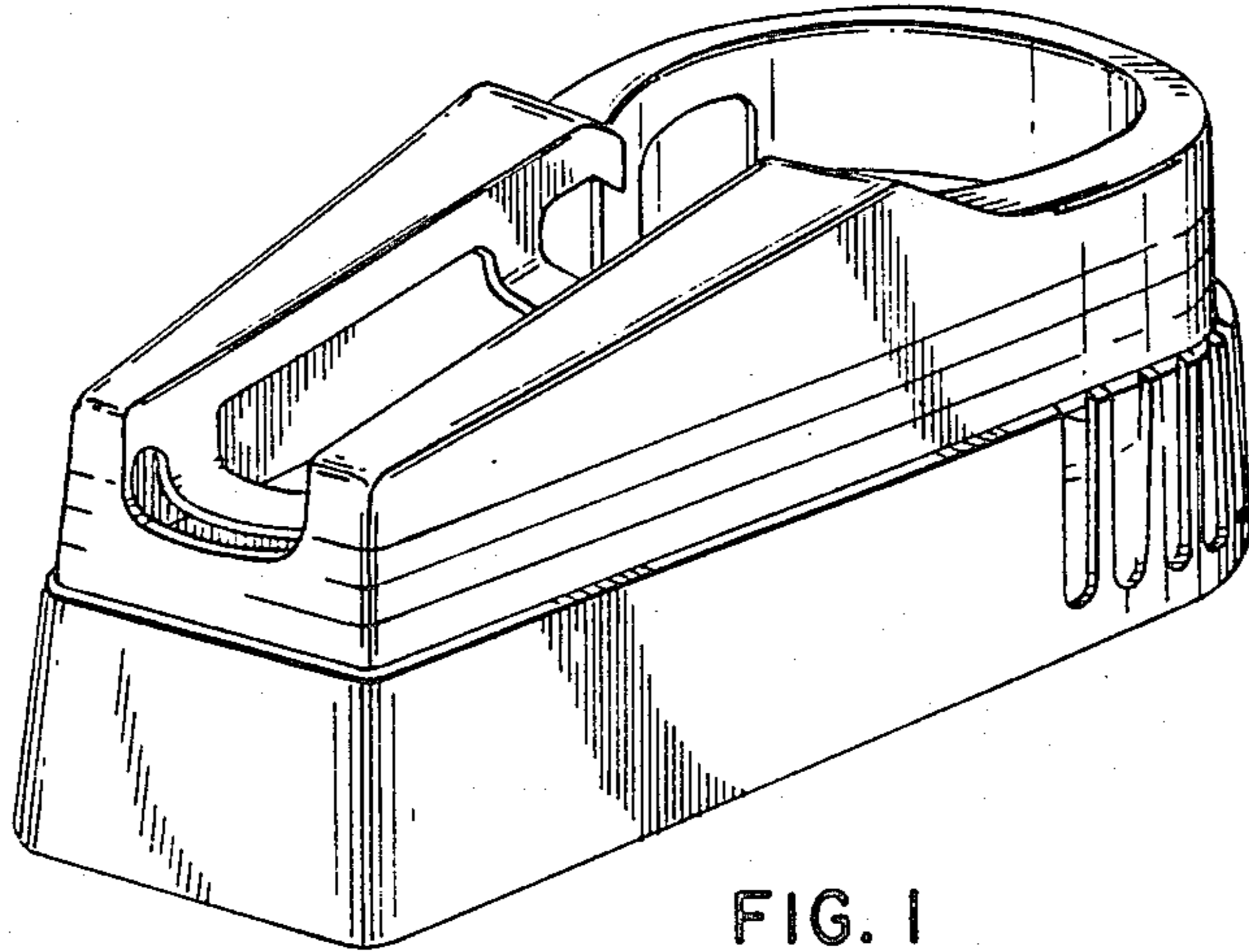


FIG. 1

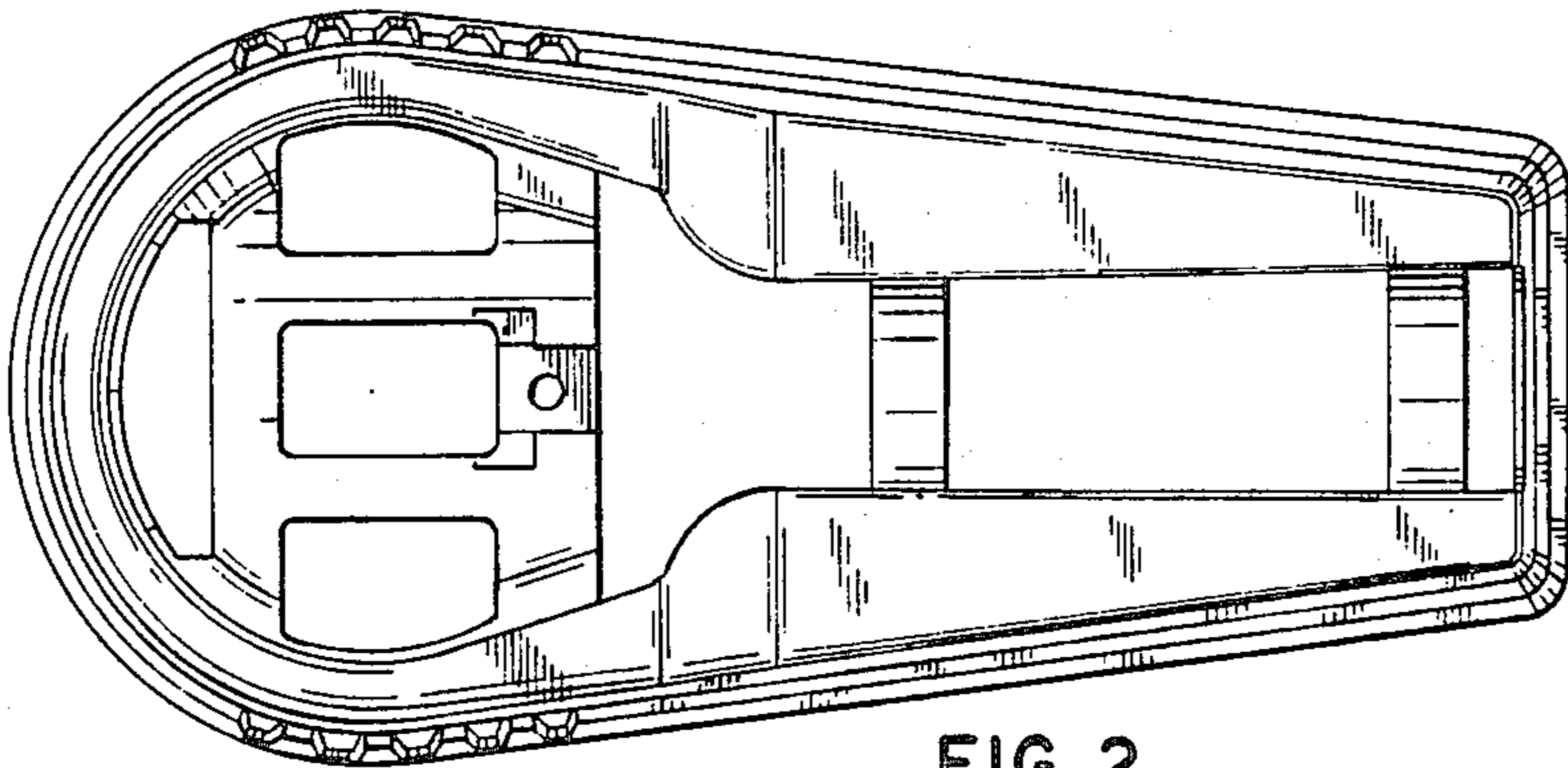


FIG. 2

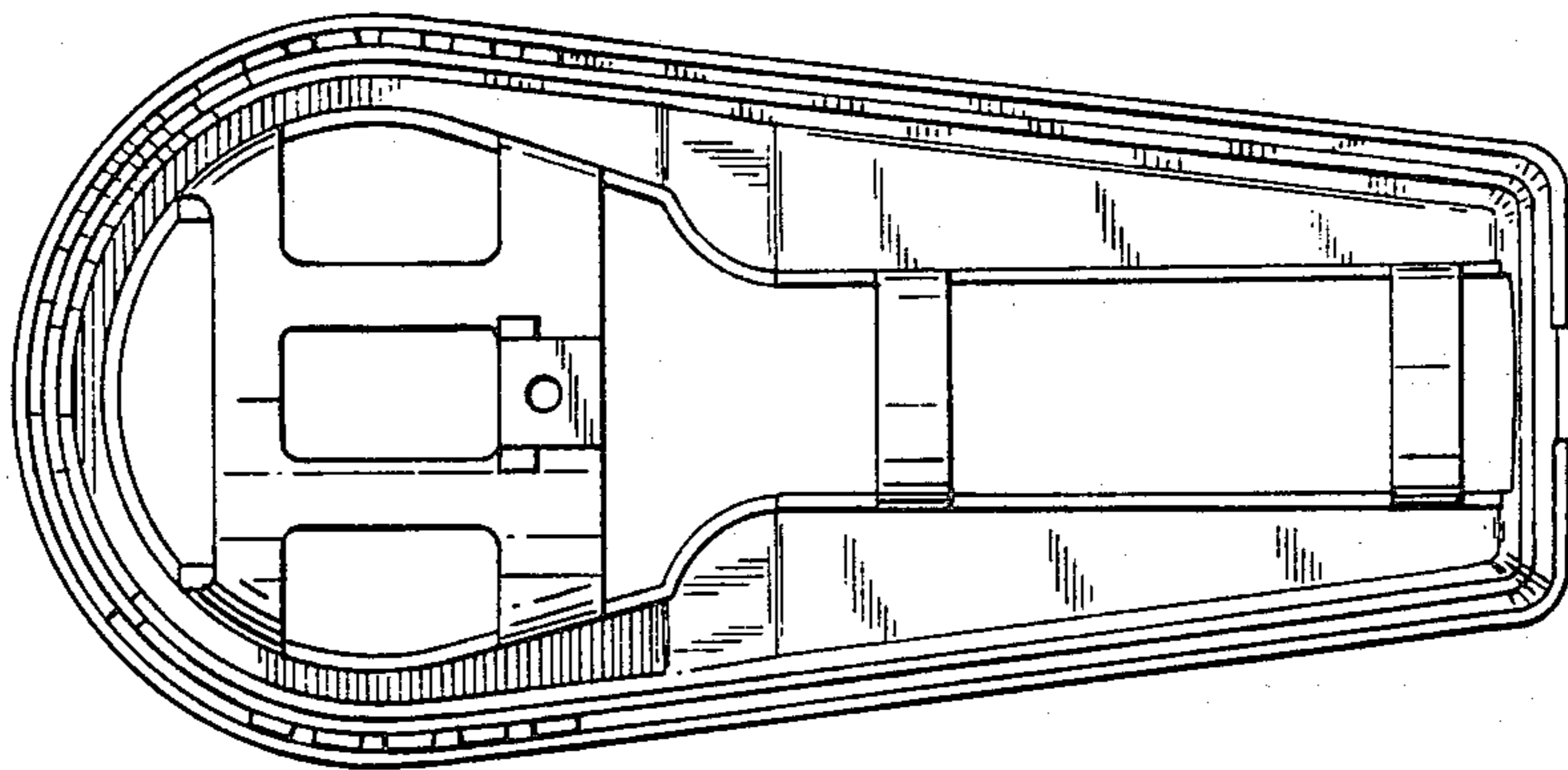


FIG. 3

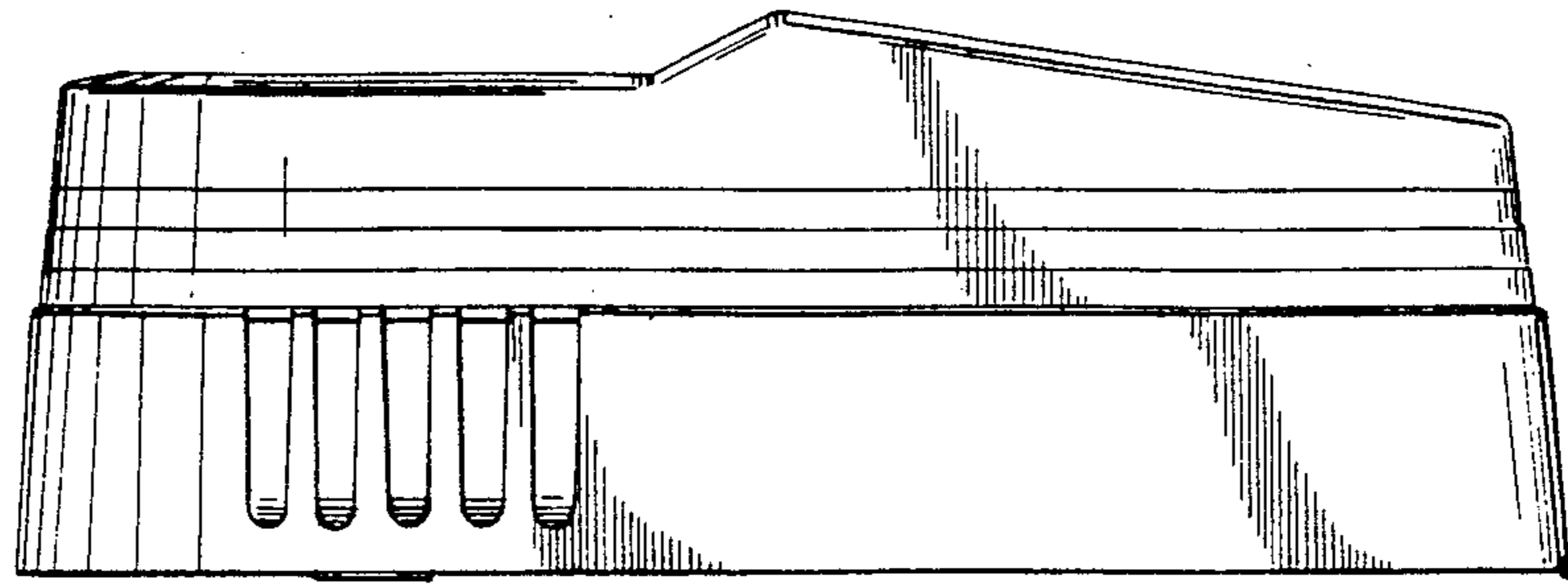


FIG. 4

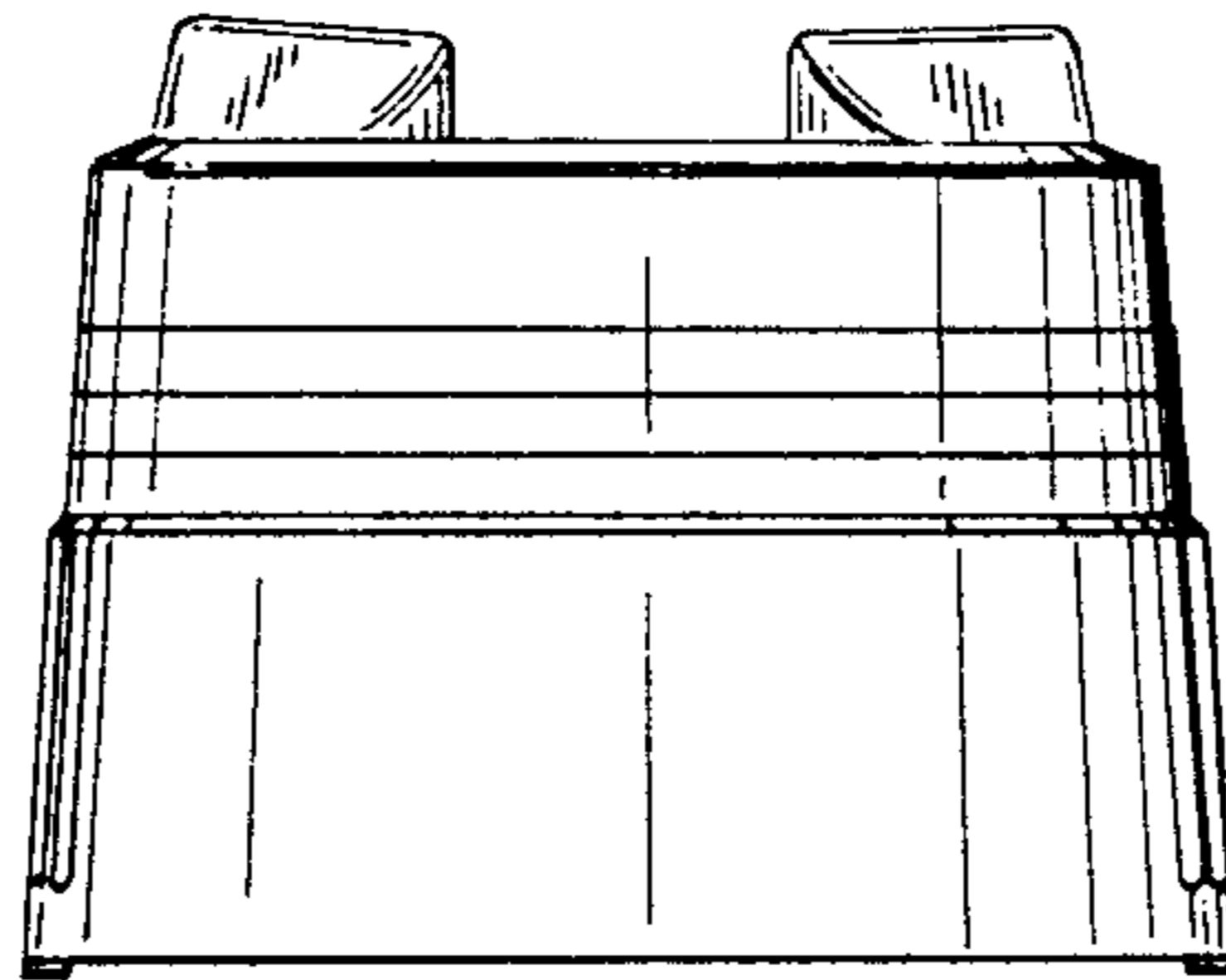


FIG. 5

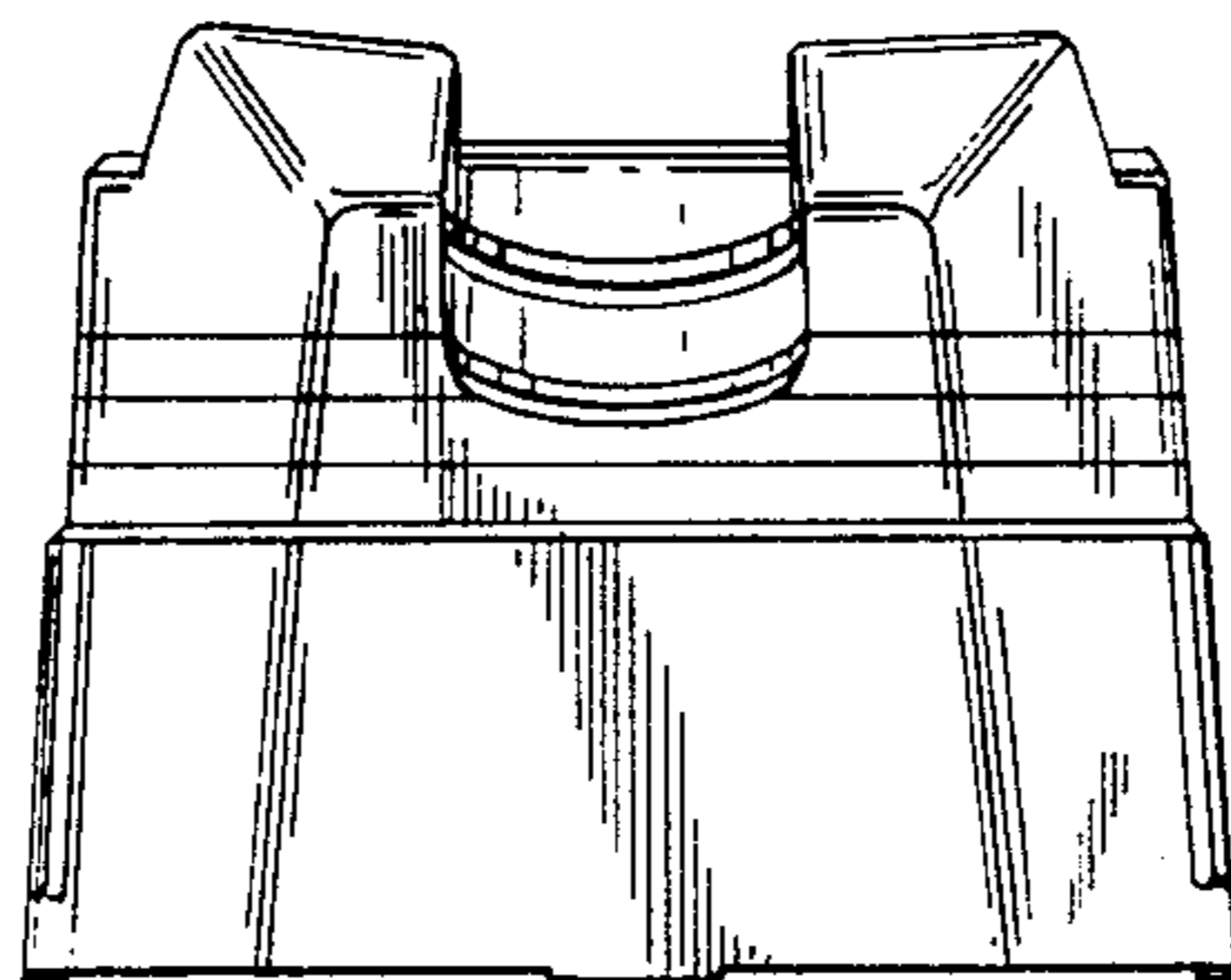


FIG. 6