

[54] **POWER TOOL REACTION BRACE**

[75] Inventor: **Richard E. Eckman, Houston, Tex.**

[73] Assignee: **Dresser Industries, Inc., Dallas, Tex.**

[**] Term: **14 Years**

[21] Appl. No.: **439,673**

[22] Filed: **Nov. 8, 1982**

[52] U.S. Cl. **D8/71**

[58] Field of Search **D8/71; 81/177 R; 408/238, 241 G, 241 R; 16/113, DIG. 25**

[56] **References Cited**

U.S. PATENT DOCUMENTS

D. 242,897	1/1977	Lundmark	D8/107
1,496,600	6/1924	Rau	16/113 X
3,414,315	12/1968	O'Quinn	D8/71 X
3,948,477	4/1976	Lample	81/177 R X
4,274,314	6/1981	Repinski	408/239 X

FOREIGN PATENT DOCUMENTS

140062	10/1920	Fed. Rep. of Germany	16/DIG. 25 X
0119306	9/1981	Japan	408/239

Primary Examiner—Susan J. Lucas
Assistant Examiner—C. E. Heflin
Attorney, Agent, or Firm—Richard M. Byron; Roy L. Van Winkle

[57] **CLAIM**

The ornamental design for a power tool reaction brace, as shown.

DESCRIPTION

FIG. 1 is a right side elevational view of the power tool reaction brace showing my new design with the power tool being shown in broken lines for illustrative purposes only;

FIG. 2 is a rear elevational view thereof;

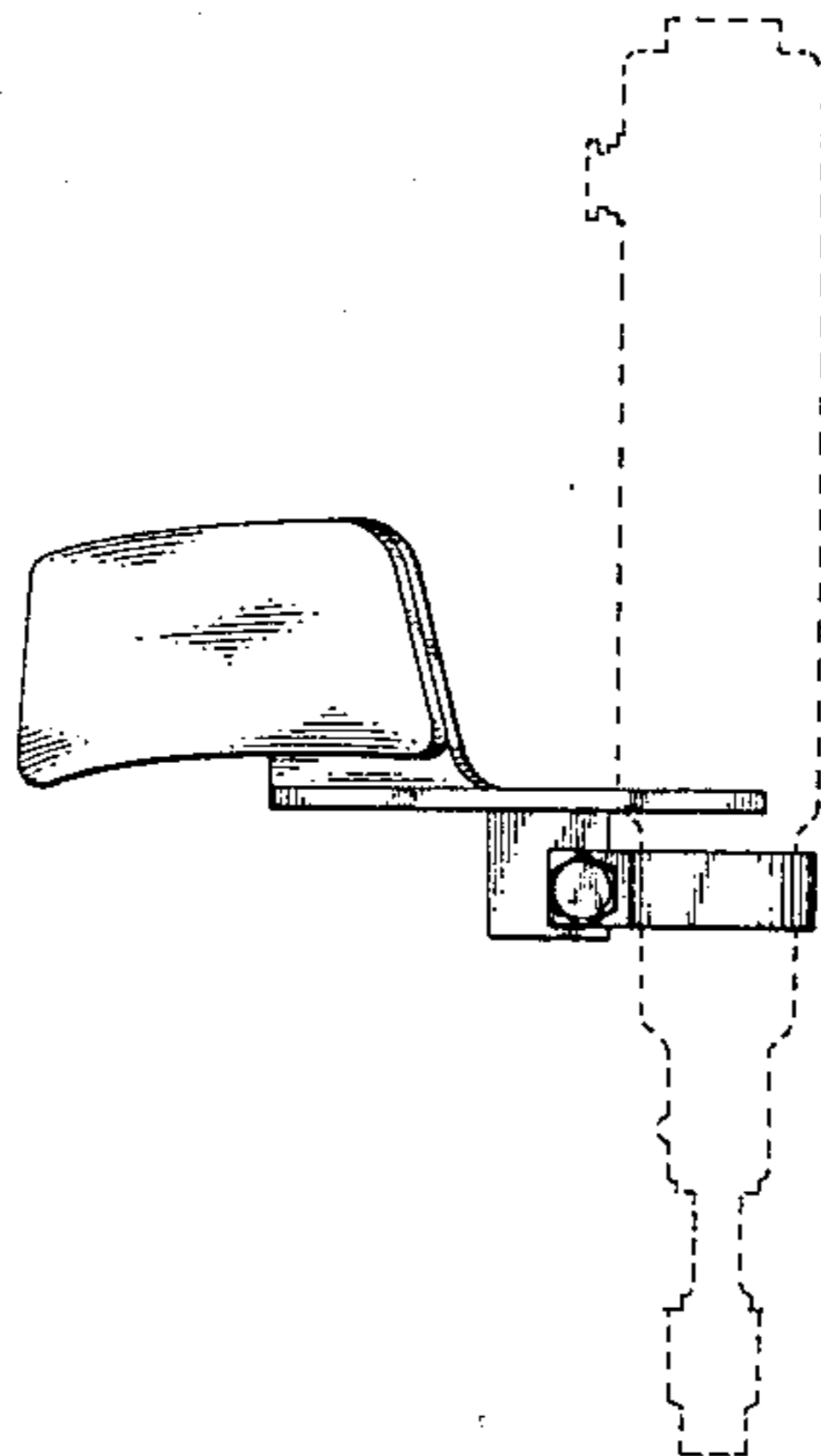
FIG. 3 is a top plan view thereof;

FIG. 4 is a left side elevational view thereof;

FIG. 5 is a front elevational view thereof;

FIG. 6 is a bottom plan view thereof.

The purpose of the claimed article is to brace an operator's arm and hand while operating a power tool; the upstanding portion fitting the contours of the operator's arm and the portion perpendicular to that supporting the operator's hand.



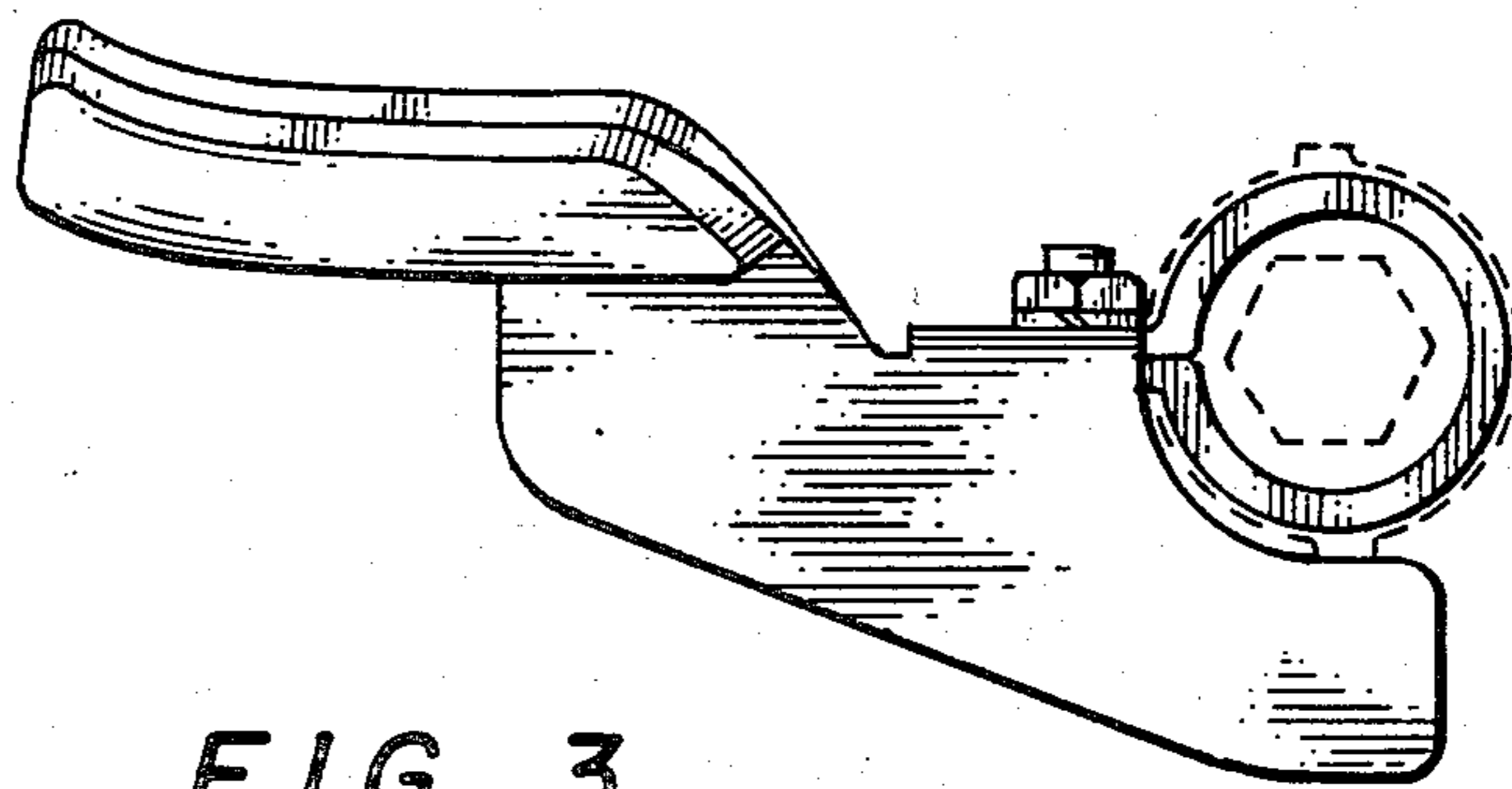


FIG. 3

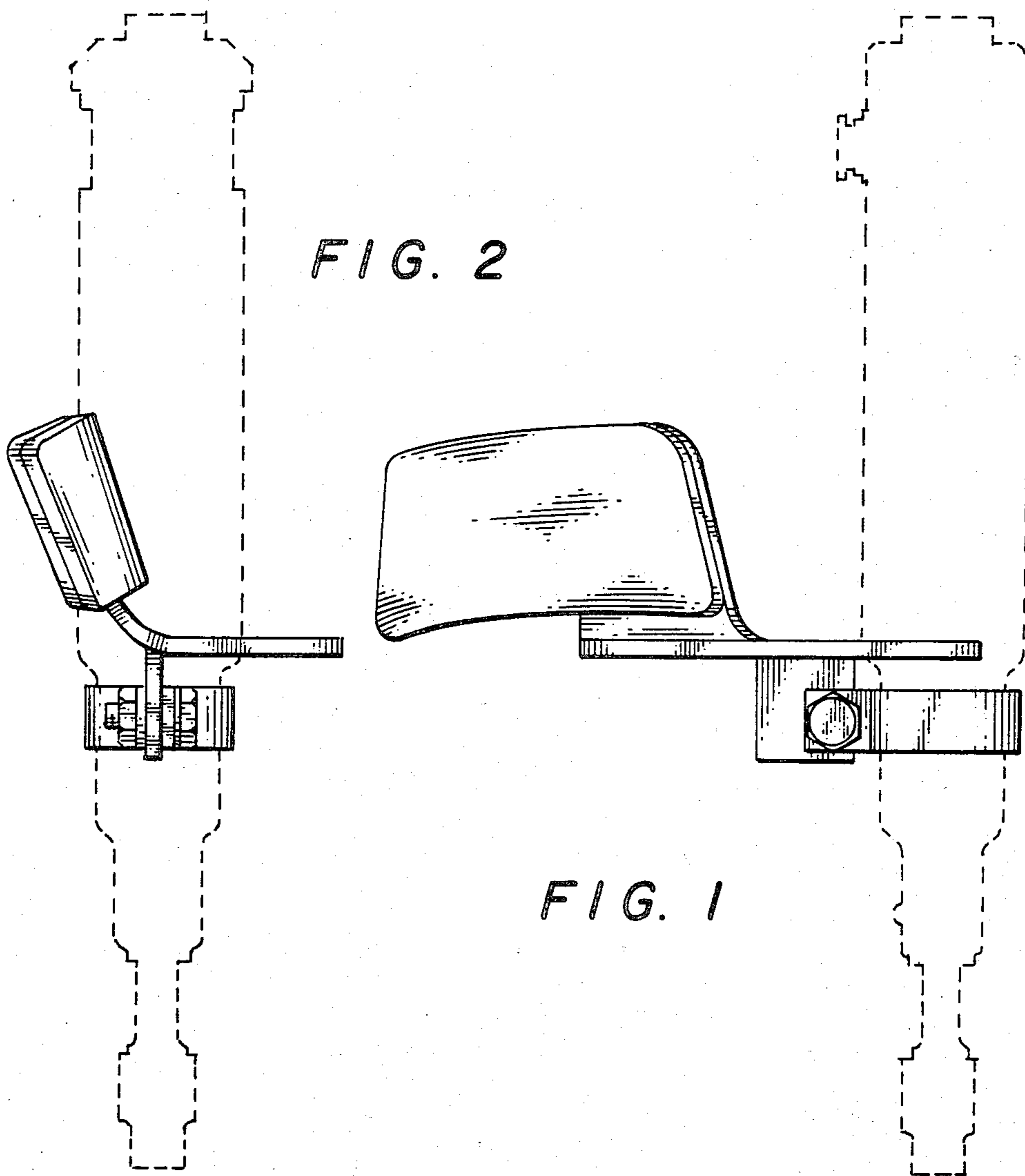


FIG. 2

FIG. 1

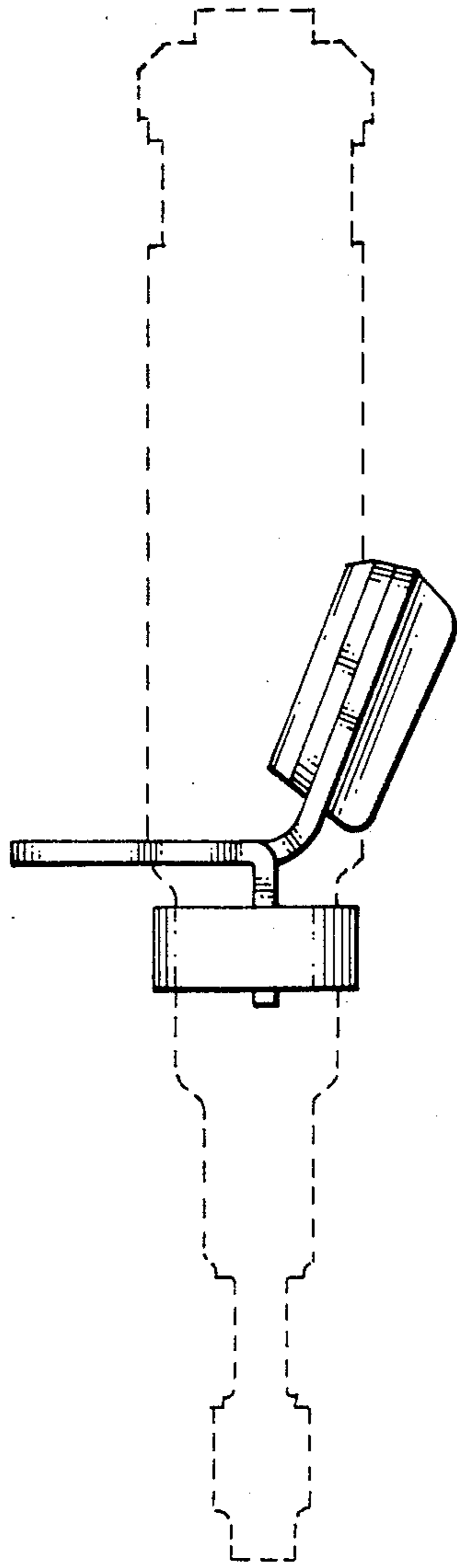


FIG. 4

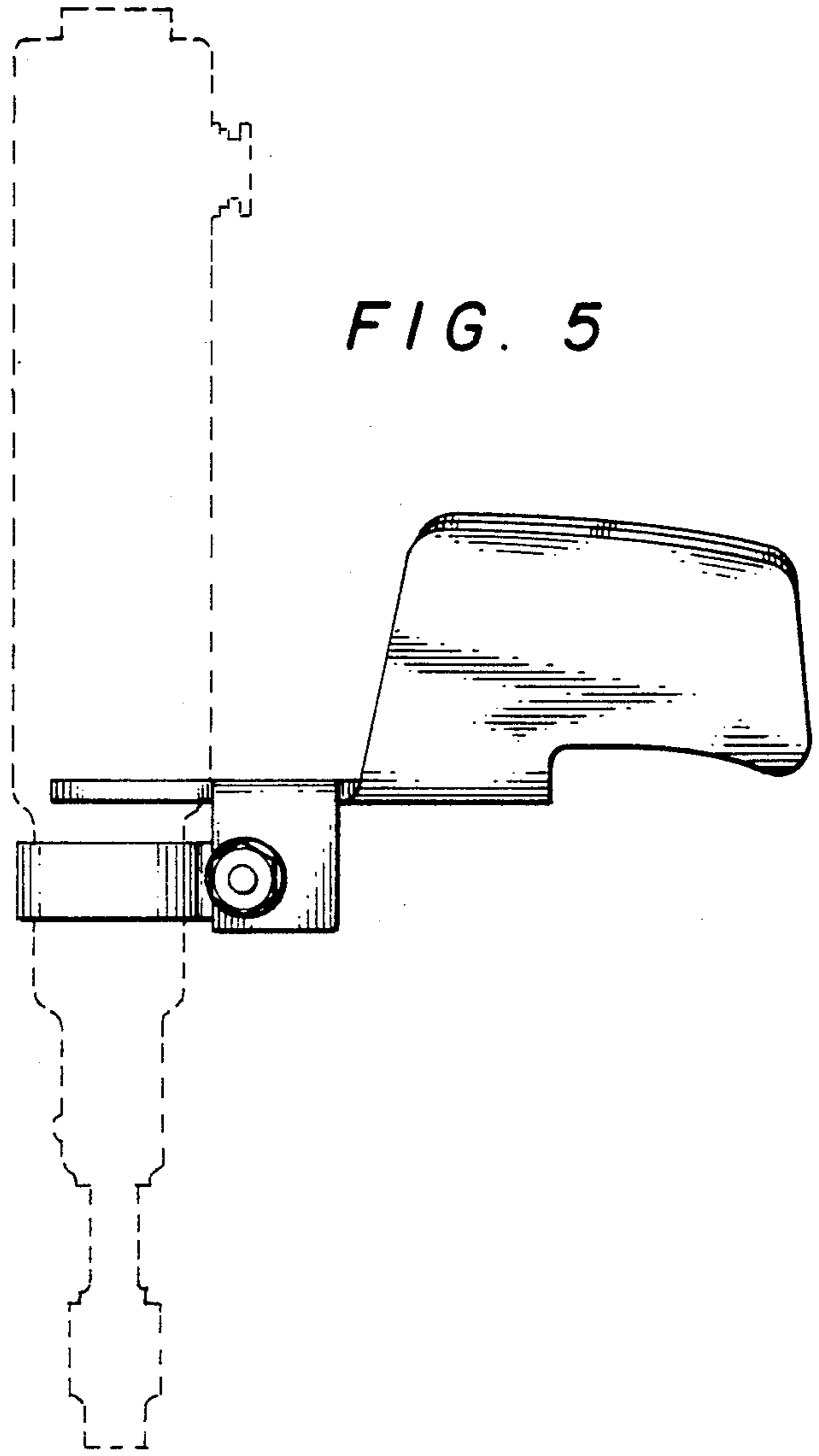


FIG. 5

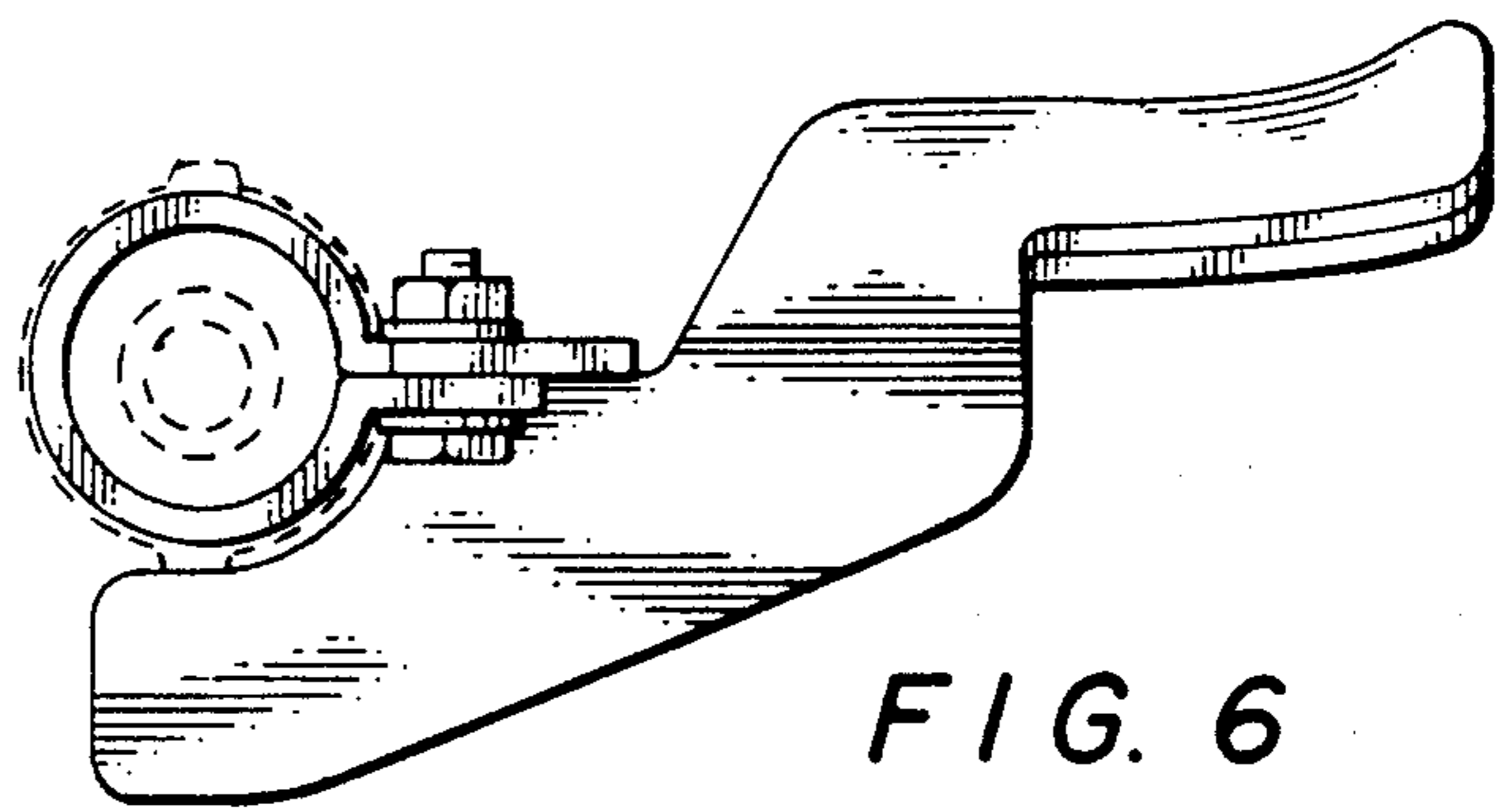


FIG. 6