

United States Patent [19]
Precht

[11] **Patent Number: Des. 290,216**
[45] **Date of Patent: ** Jun. 9, 1987**

[54] **COFFEE BREWER**

[75] **Inventor: Hans-Jürgen Precht, Solingen, Fed. Rep. of Germany**

[73] **Assignee: Robert Krups Stiftung & Co. KG, Solingen, Fed. Rep. of Germany**

[**] **Term: 14 Years**

[21] **Appl. No.: 662,953**

[22] **Filed: Oct. 19, 1984**

[30] **Foreign Application Priority Data**

Jul. 12, 1984 [DE] Fed. Rep. of Germany ... 5 MR 9476

[52] **U.S. Cl. D7/309**

[58] **Field of Search D7/305, 309, 398; 99/300**

[56] **References Cited**

U.S. PATENT DOCUMENTS

D. 240,386 7/1976 Stuetzer D7/309
4,083,295 4/1978 Hollingsworth D7/309 X

4,356,381 10/1982 Flaherty, Jr. et al. D7/309 X

FOREIGN PATENT DOCUMENTS

2732054 2/1979 Fed. Rep. of Germany 99/300

OTHER PUBLICATIONS

Schoner Wohnen, Oct. 1983, pp. 72, 74, "KRUPS" Beverage Mach., top right p. 72, top row p. 74.

Primary Examiner—Winifred E. Herrmann
Attorney, Agent, or Firm—Michael J. Striker

[57] **CLAIM**

The ornamental design for a coffee brewer, substantially as shown and described.

DESCRIPTION

FIG. 1 is a front elevational view of a coffee brewer showing my new design;

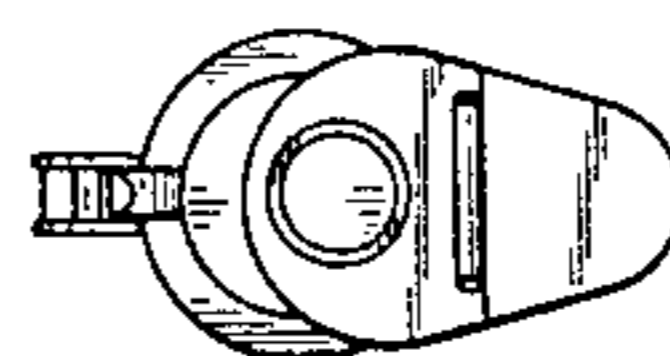
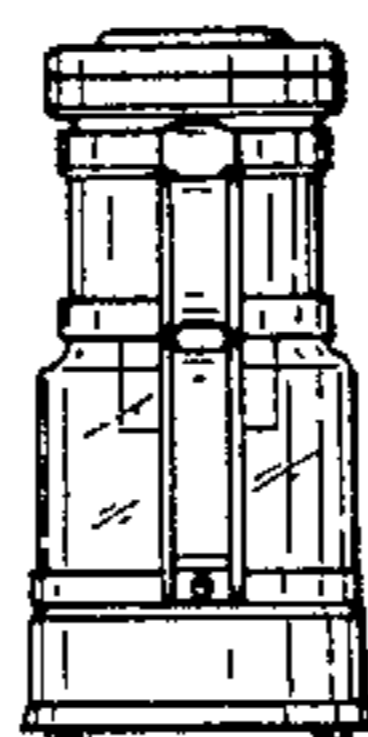
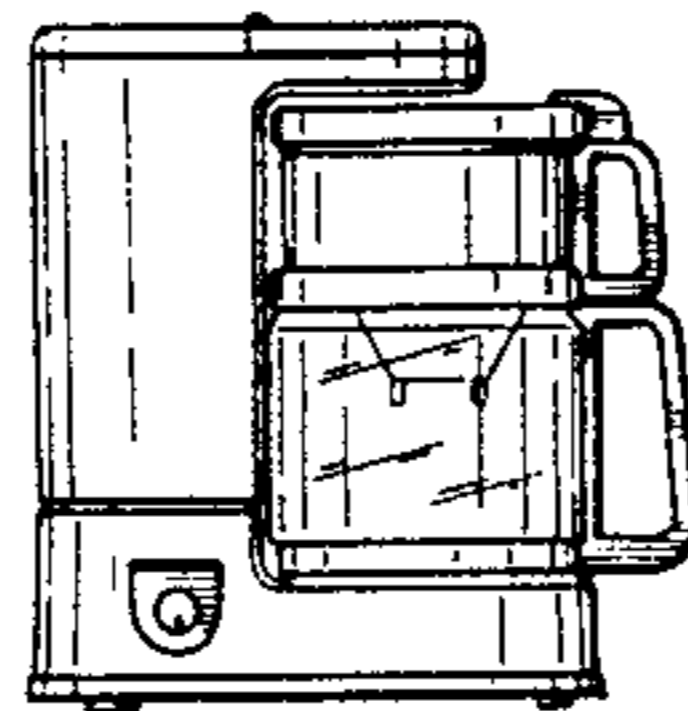
FIG. 2 is a rear elevational view thereof;

FIG. 3 is a top plan view thereof;

FIG. 4 is a bottom plan view thereof;

FIG. 5 is a right side elevational view thereof;

FIG. 6 is a left side elevational view thereof.



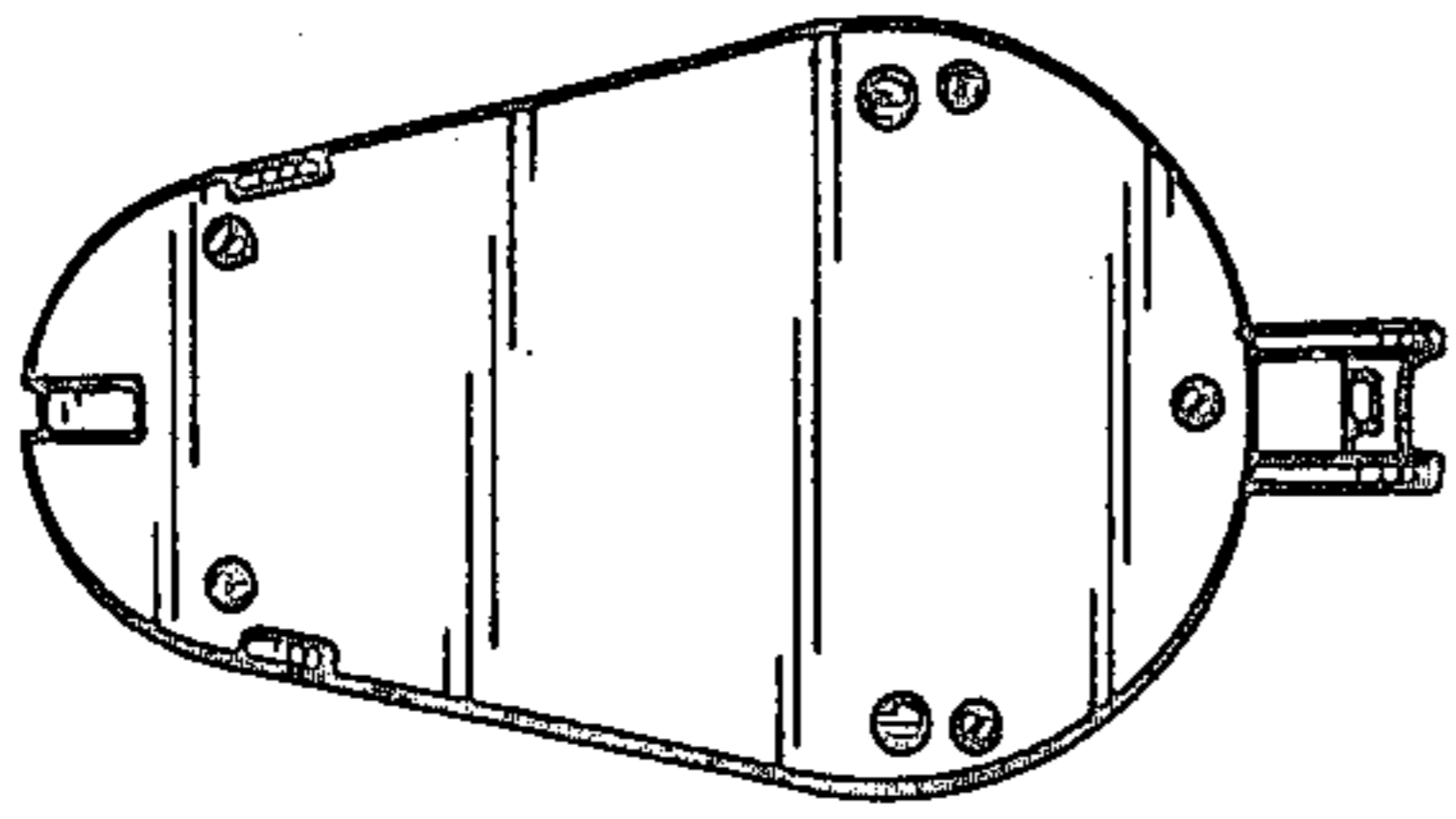


FIG. 4.

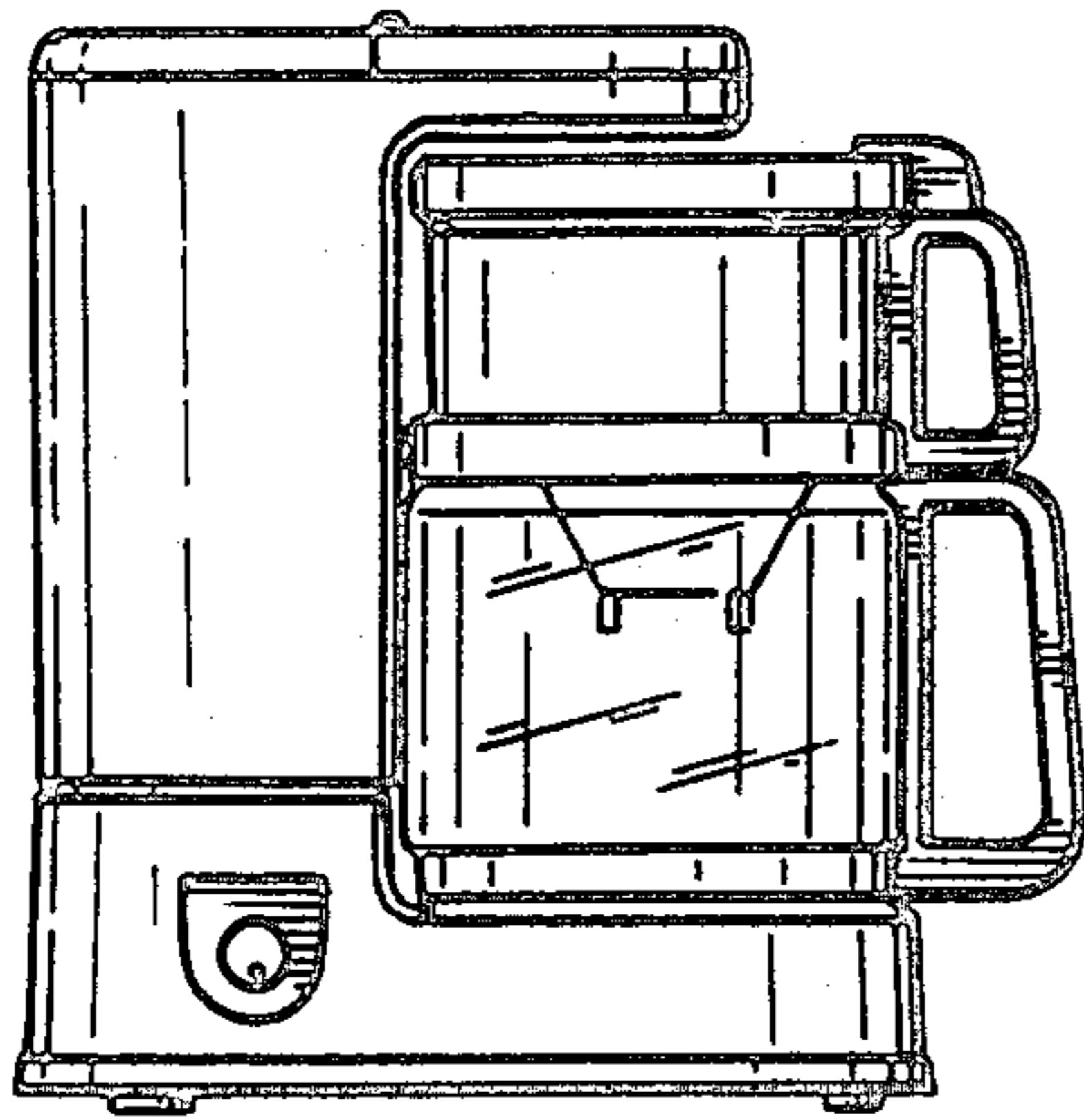


FIG. 1.

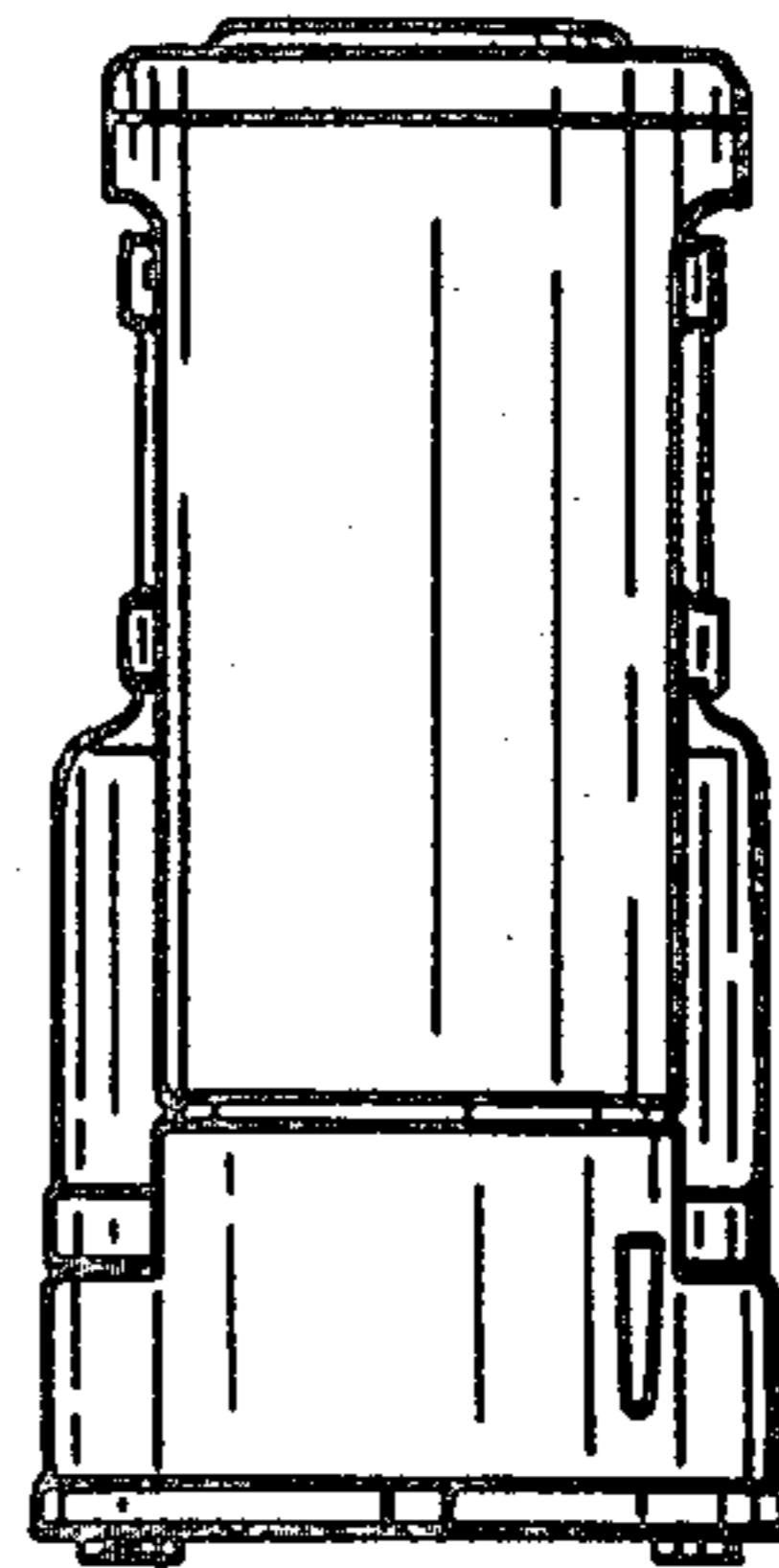


FIG. 6.

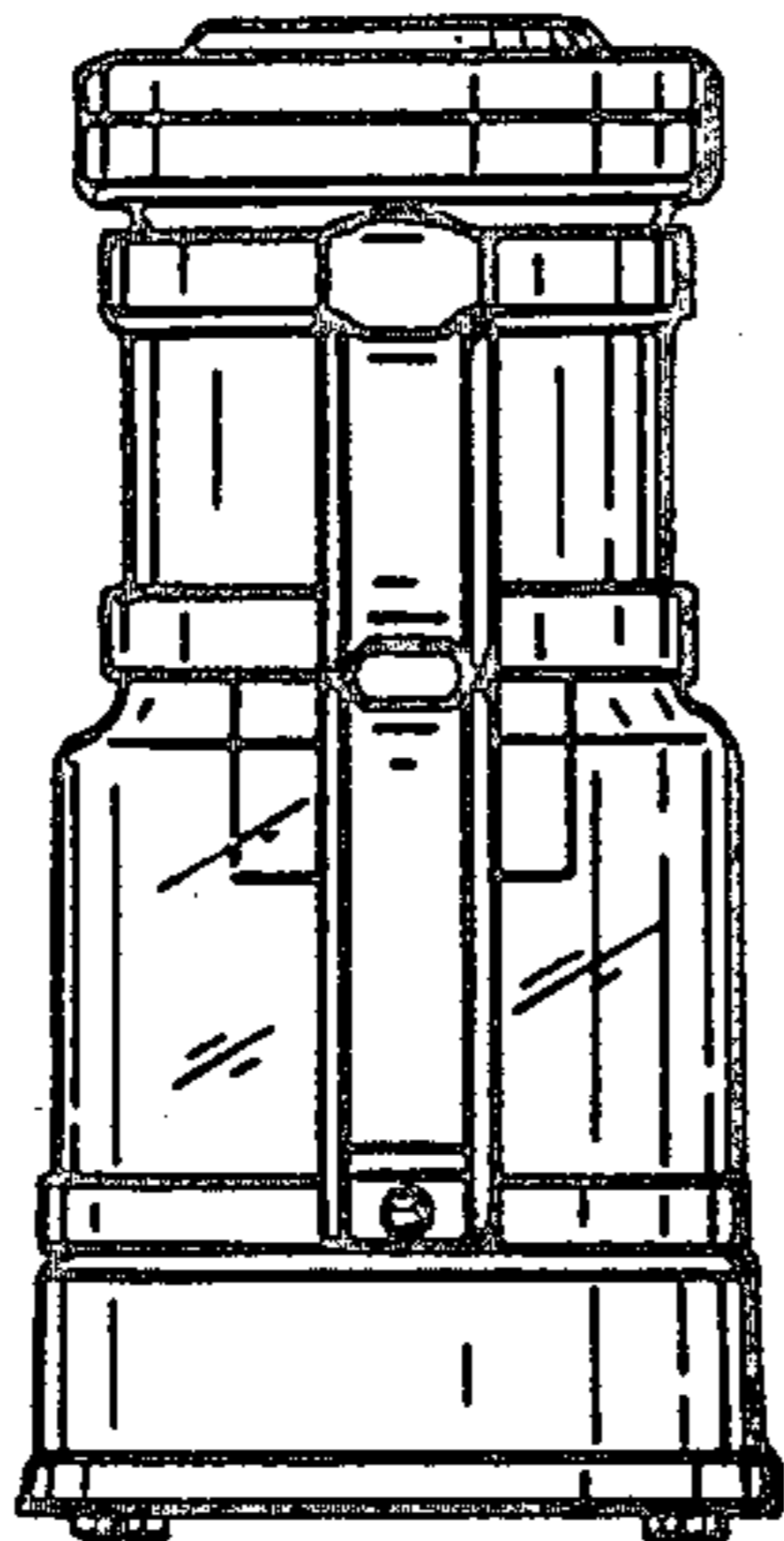


FIG. 5.

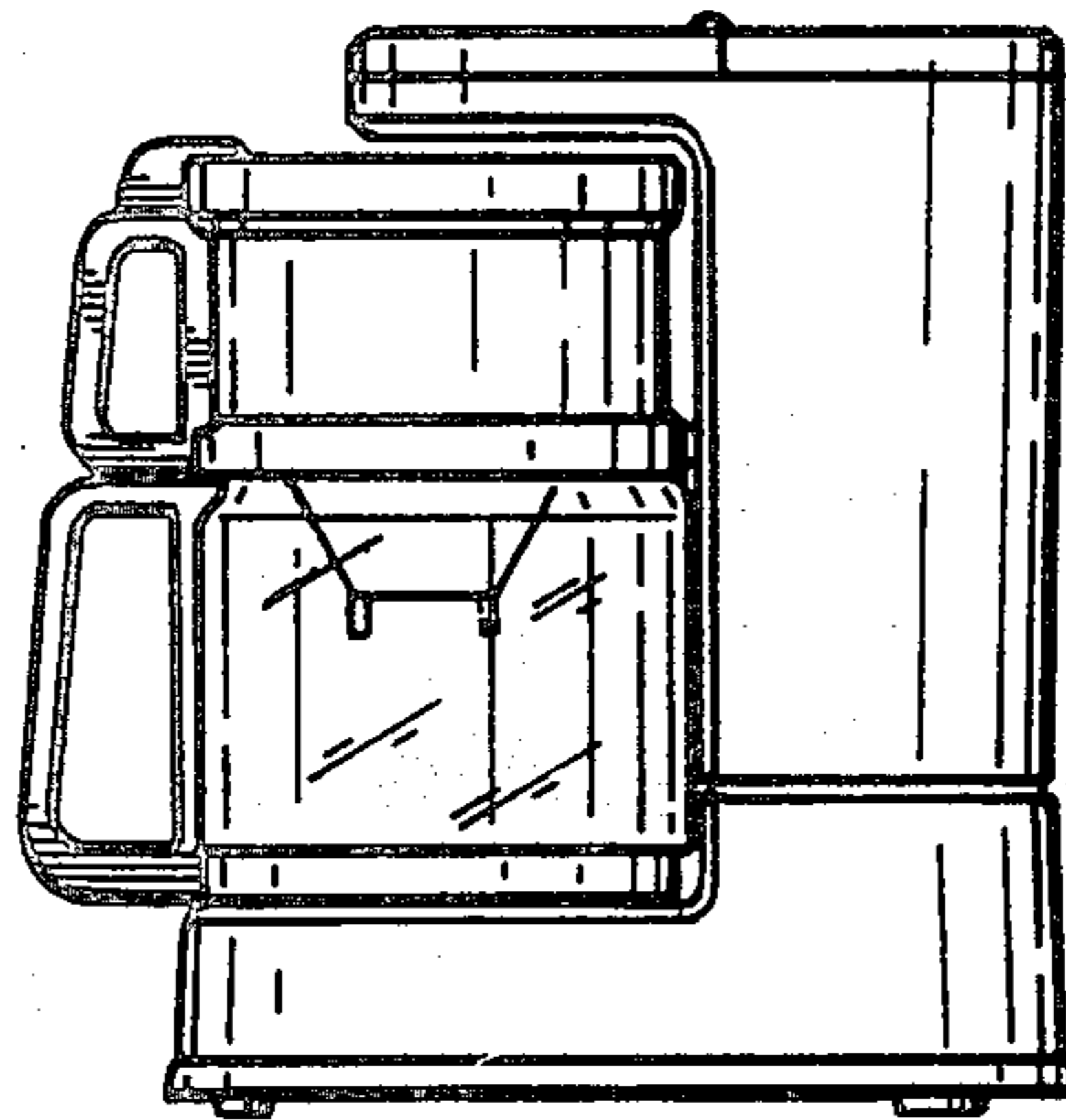


FIG. 2.

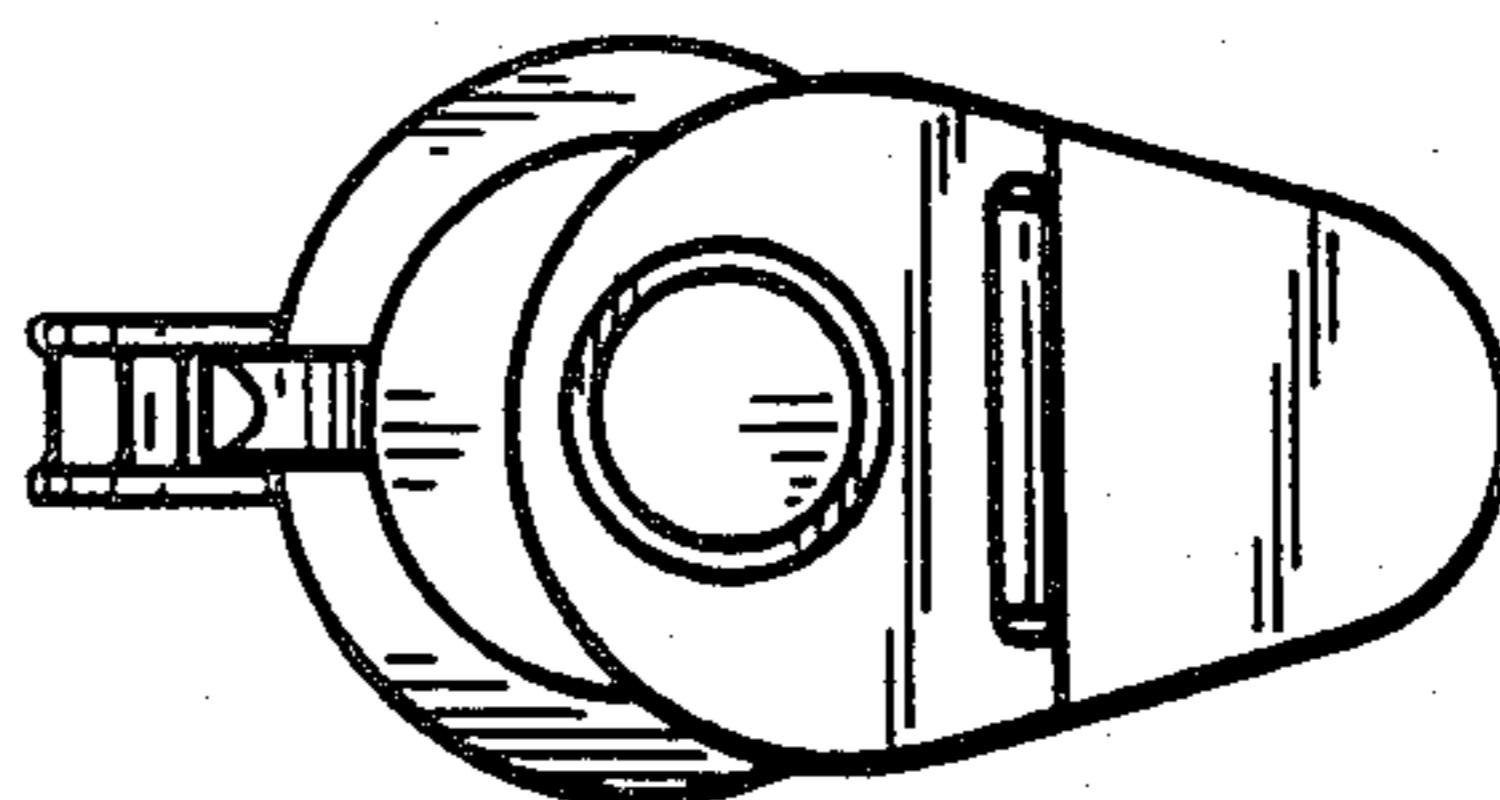


FIG. 3.