

[54] **COFFEEMAKER**

[75] Inventors: **Kurt J. Sonnentag**, Naperville;
Norman A. Steinkamp, LaGrange
Park, both of Ill.

[73] Assignee: **John Zink Company**, Tulsa, Okla.

[**] Term: **14 Years**

[21] Appl. No.: **662,663**

[22] Filed: **Oct. 19, 1984**

[52] U.S. Cl. **D7/309; D7/305**

[58] Field of Search **D7/305, 309, 308, 311,**
D7/397, 400, 310; 99/300

[56] **References Cited**

U.S. PATENT DOCUMENTS

D. 242,891	1/1977	Hauenstein	D7/309
D. 269,488	6/1983	Marotta	D7/309
D. 285,276	8/1986	Daher	D7/309
4,070,956	1/1978	Brown	D7/309 X

OTHER PUBLICATIONS

Schoner Wohnen, Nov., 1982, p. 113SW, Melitta "Aromacenter".

Merchandising, Apr. 1984, p. 14, "Up 'N Away" Coffee Maker at top-Hamilton Beach adv.

Primary Examiner—Winifred E. Herrmann
Attorney, Agent, or Firm—Neil M. Rose

[57] **CLAIM**

The ornamental design for a coffeemaker, as shown and described.

DESCRIPTION

FIG. 1 is a perspective view of a coffeemaker showing our new design;

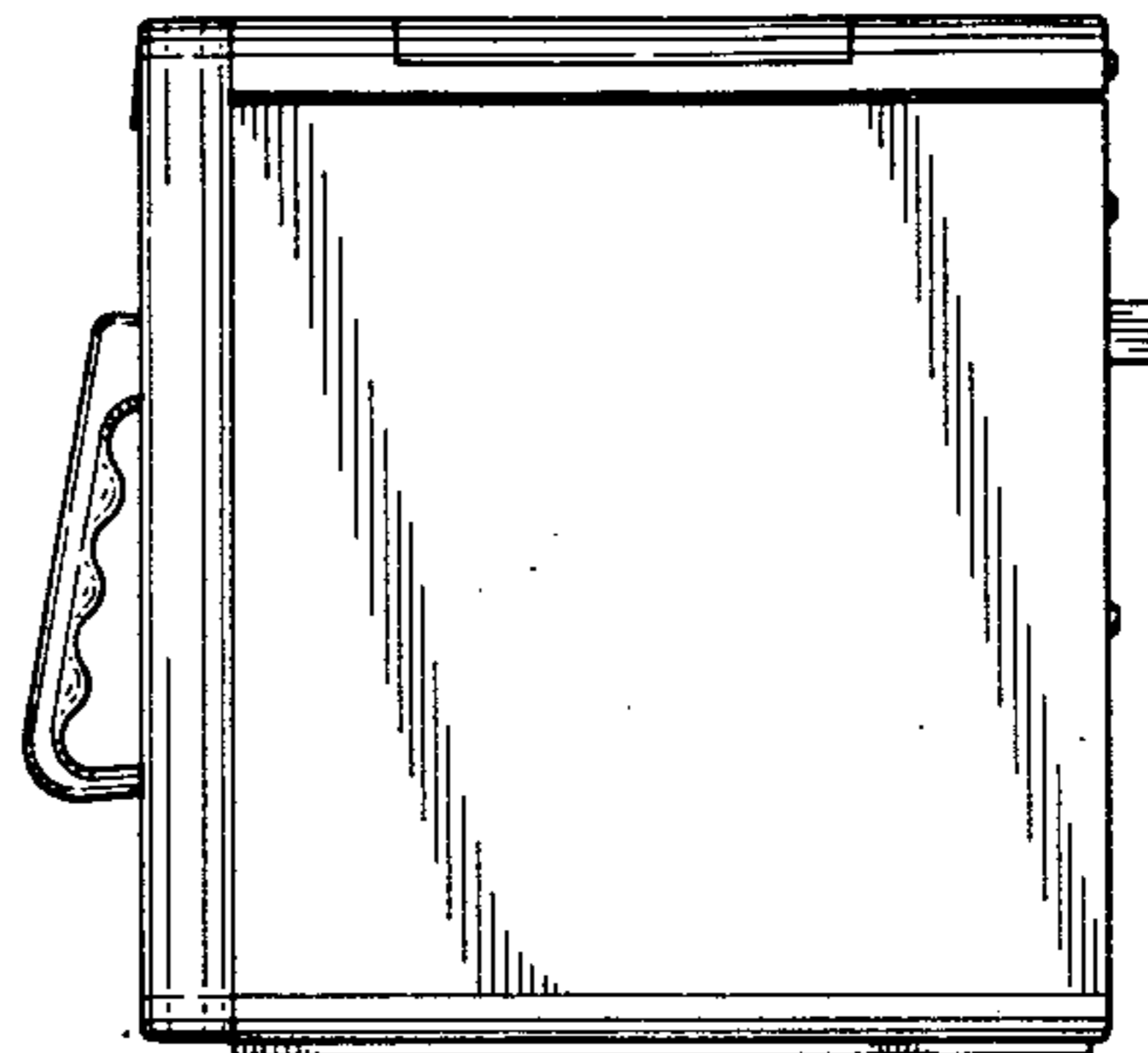
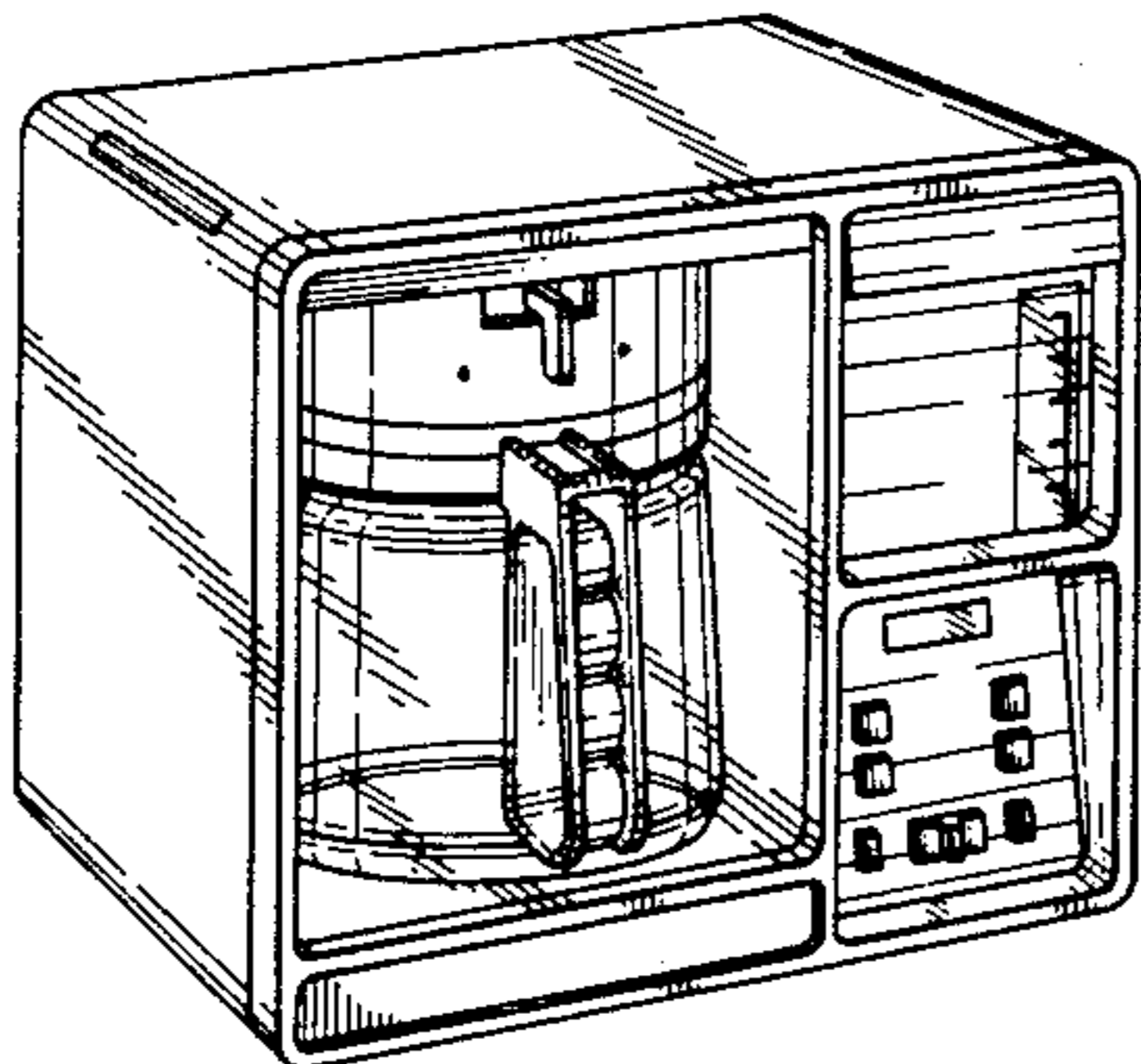
FIG. 2 is a front elevational view thereof;

FIG. 3 is a side elevational view of the side opposite the side shown in FIG. 1;

FIG. 4 is a rear elevational view thereof;

FIG. 5 is a top plan view thereof; and

FIG. 6 is a bottom plan view thereof.



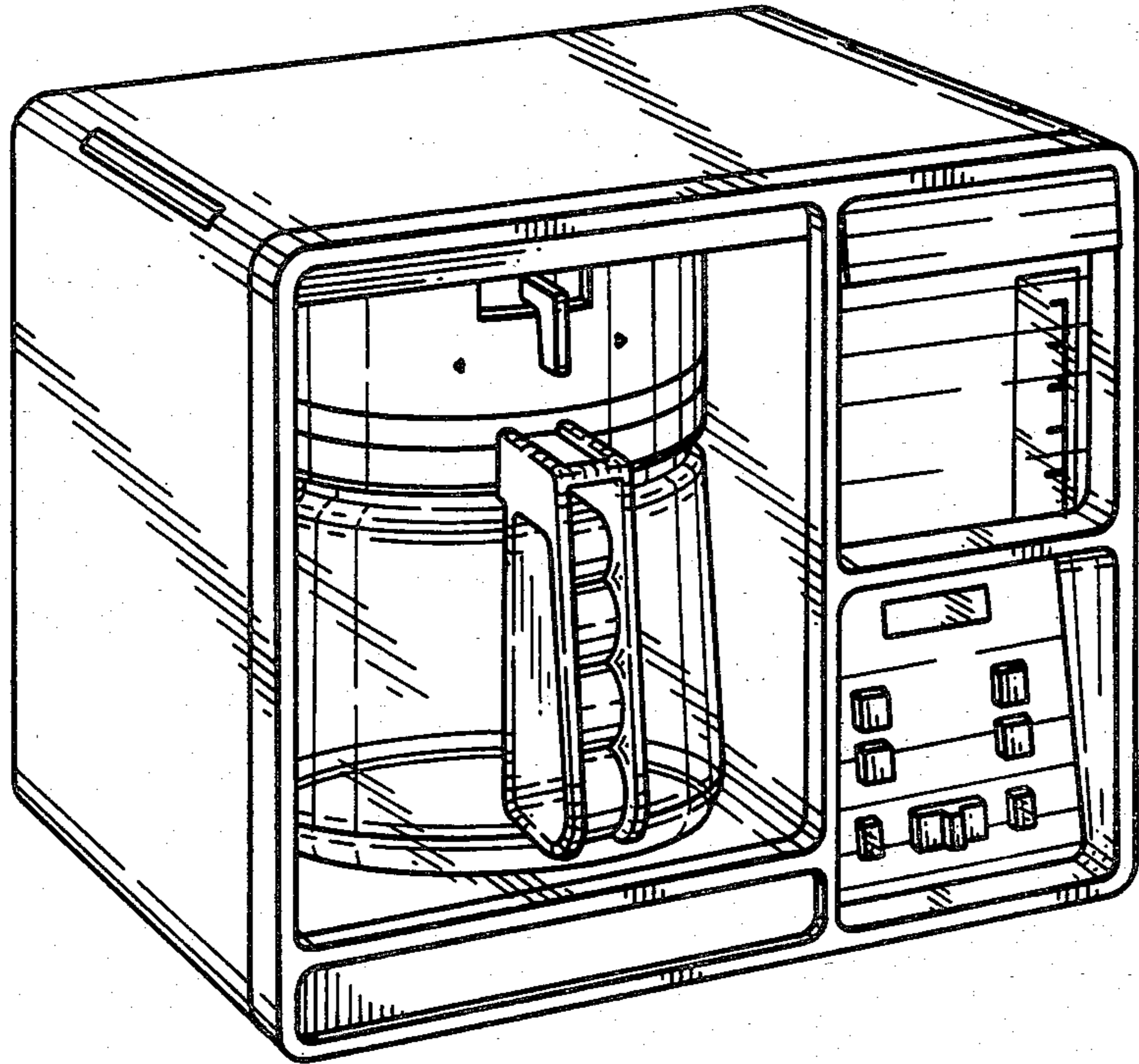


FIG. 1

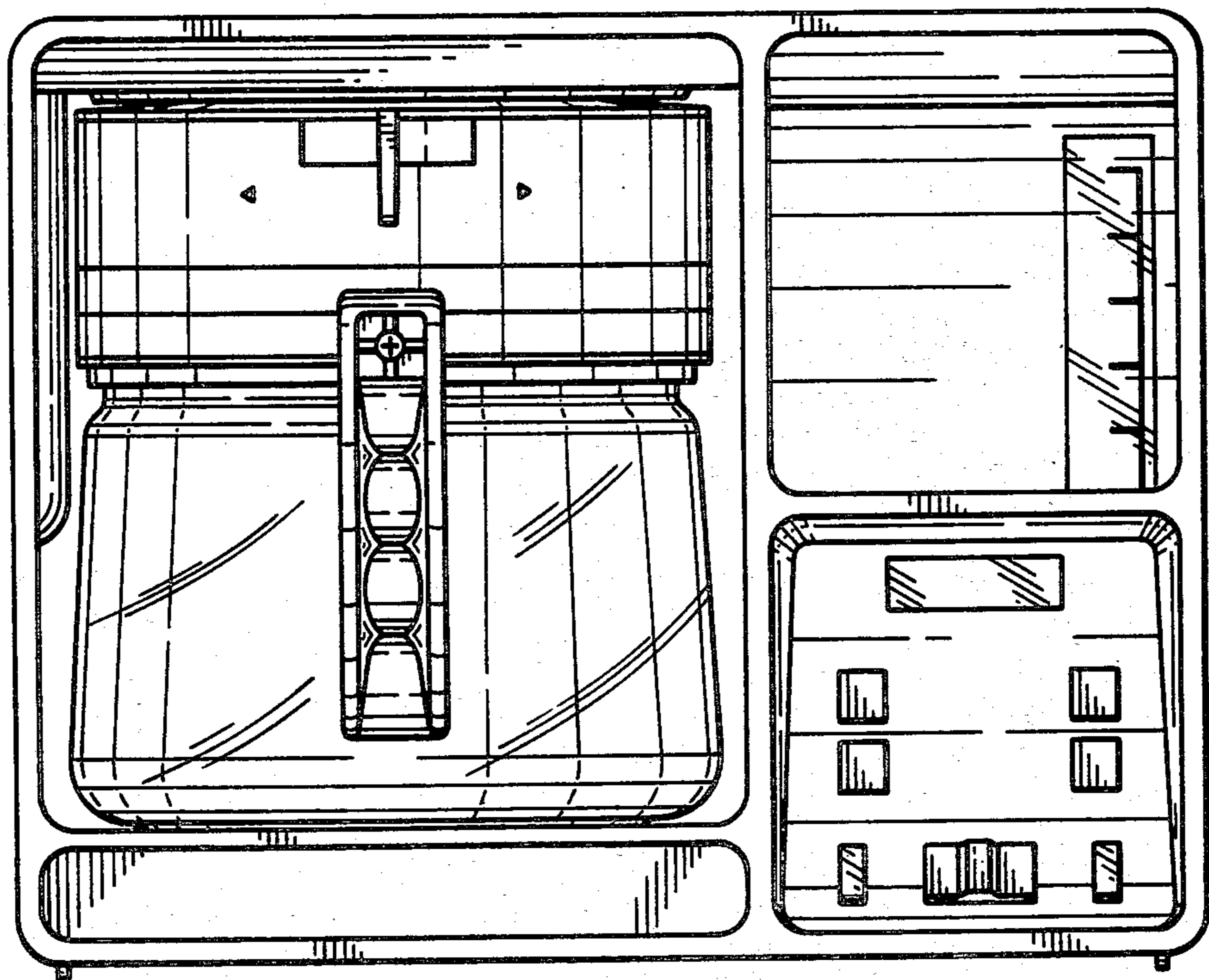


FIG. 2

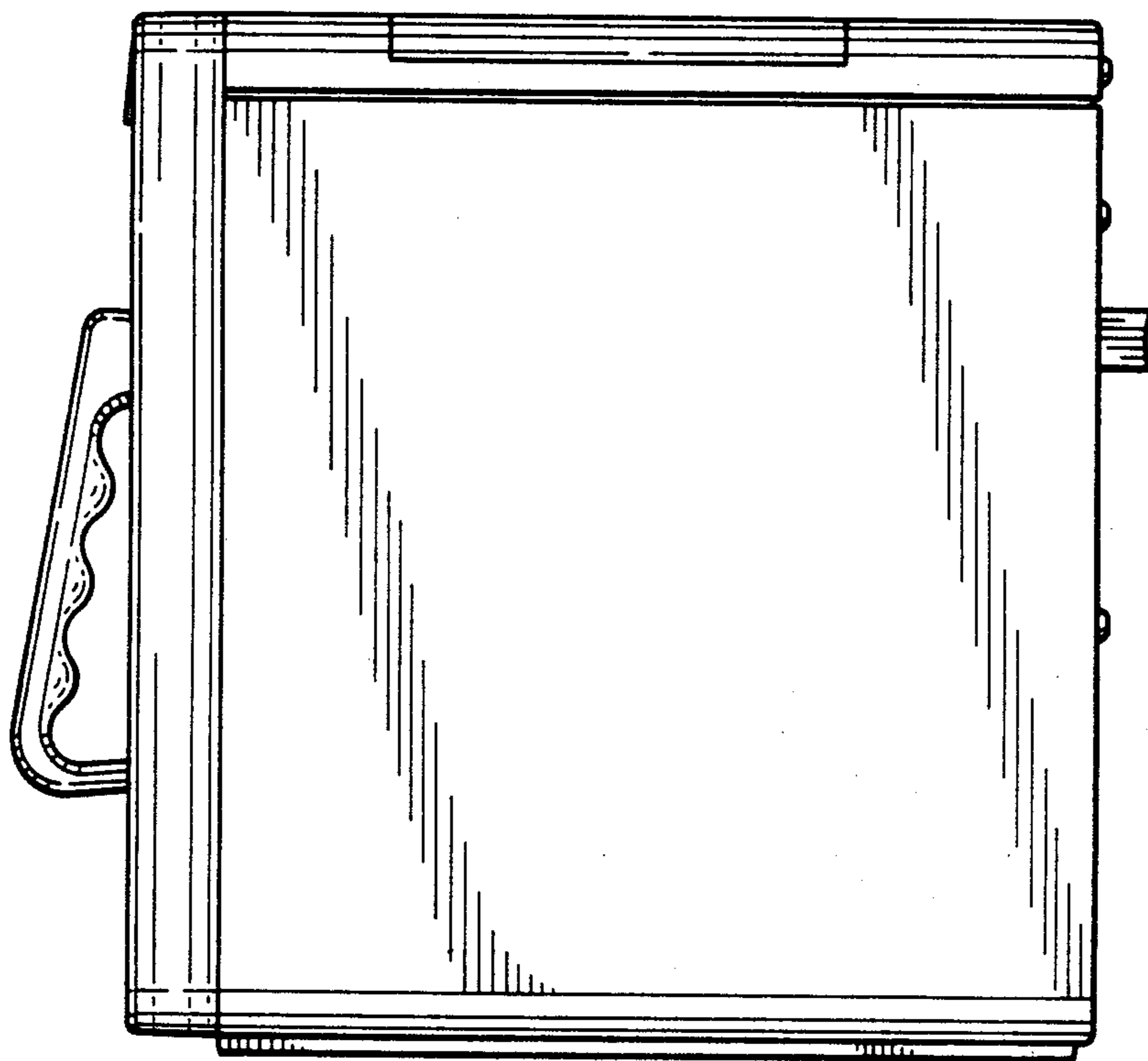


FIG. 3

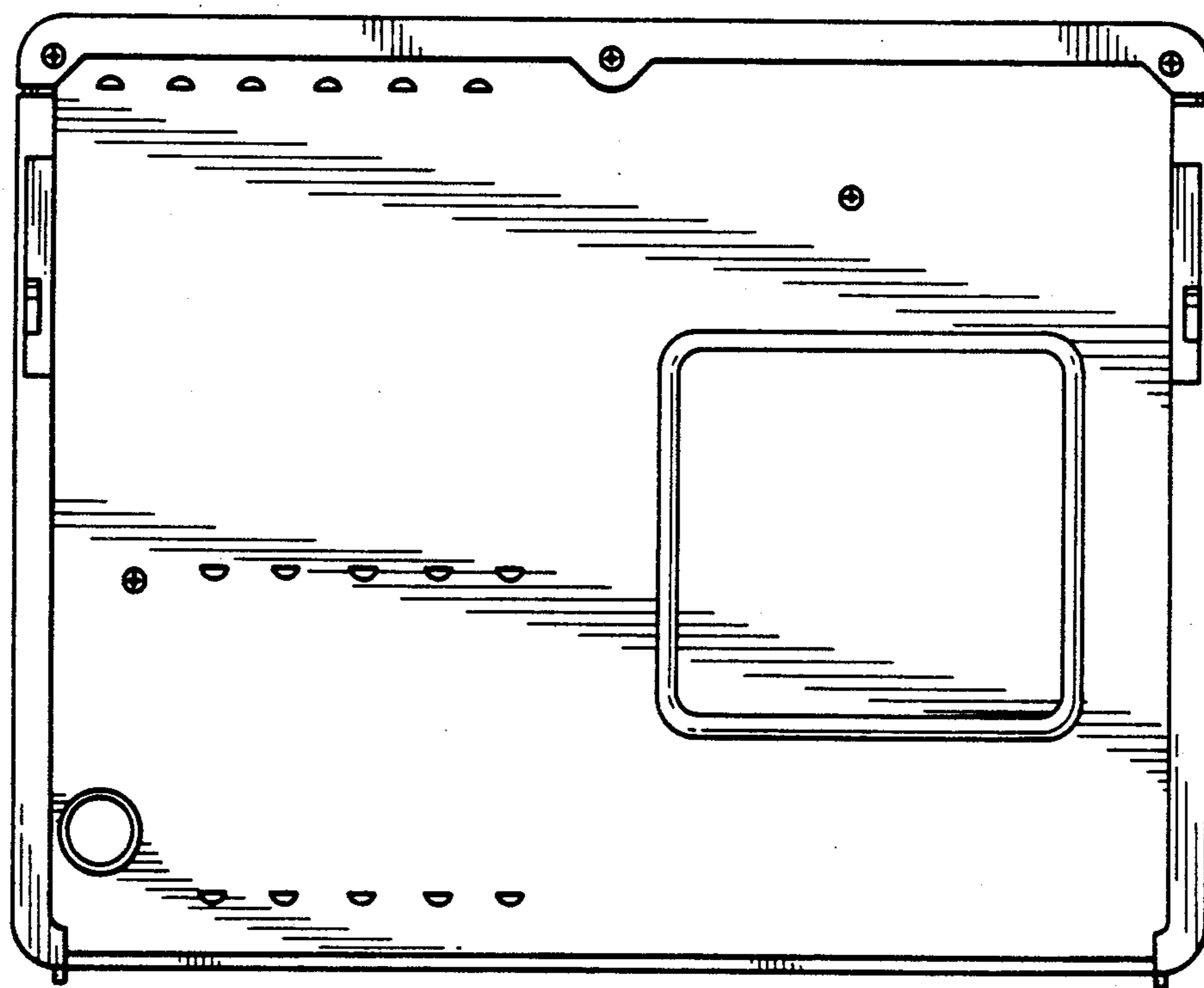


FIG. 4

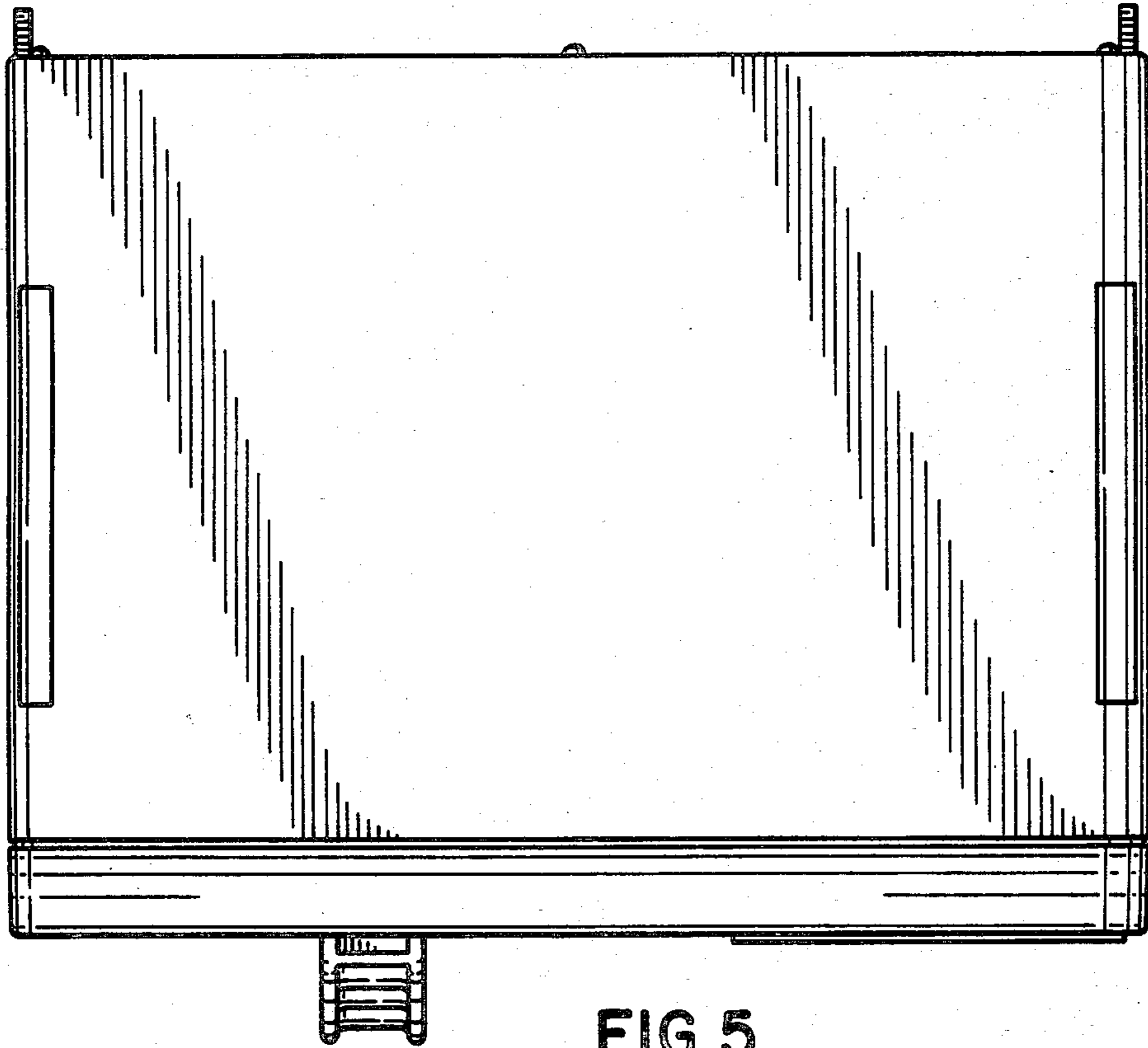


FIG. 5

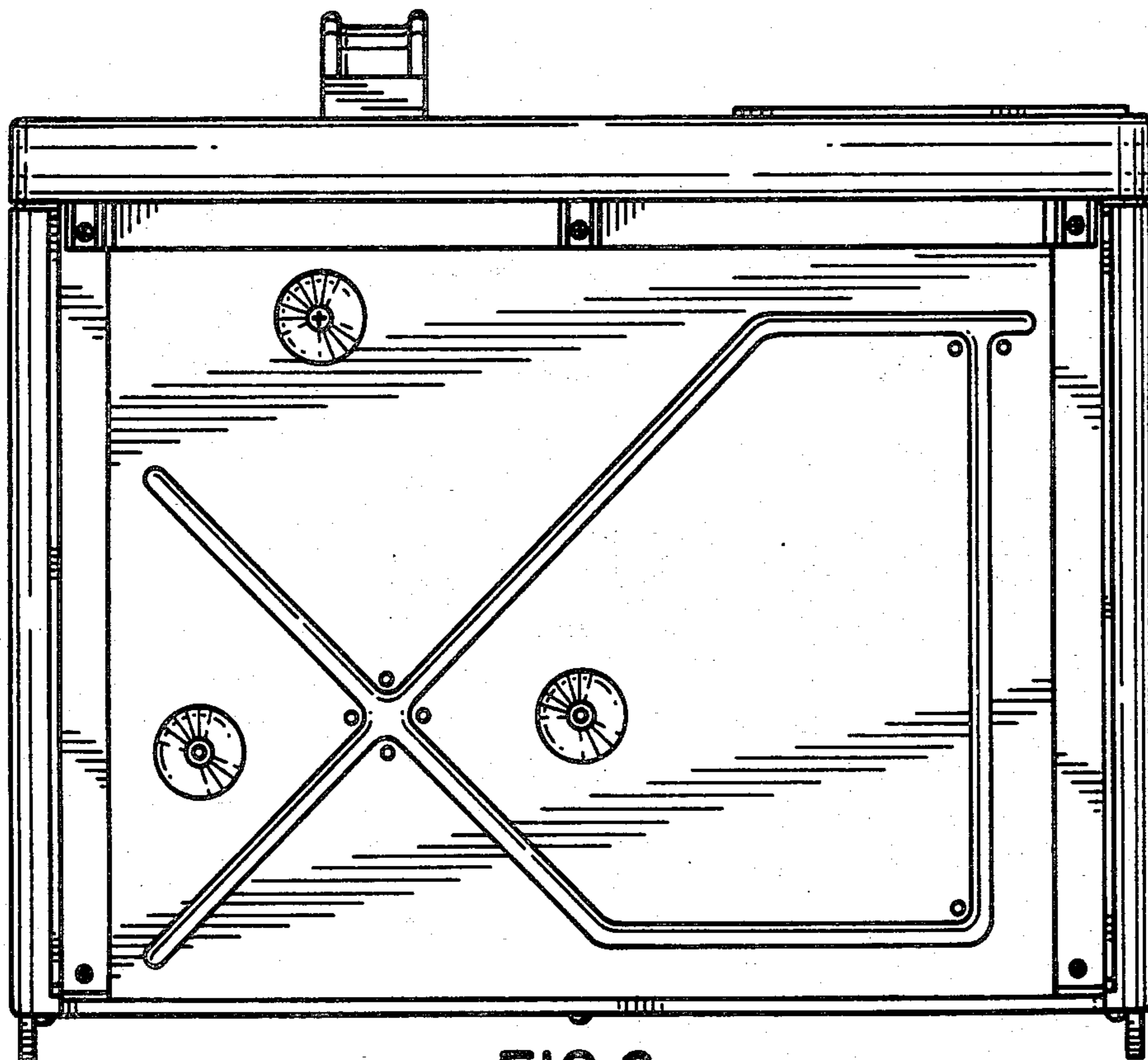


FIG. 6