

[54] **TWO HANDLE ROLLER**  
 [76] Inventor: **Betty A. Nellis**, 2600 Walker, Little Rock, Ark. 72204  
 [\*\*] Term: **14 Years**  
 [21] Appl. No.: **570,452**  
 [22] Filed: **Jan. 13, 1984**  
 [52] U.S. Cl. .... **D7/99; D4/122**  
 [58] Field of Search ..... **D4/122; 15/230.11; 128/57; D7/99; 29/110, 110.5**

3,244,122 4/1966 Agler .  
 3,263,260 8/1966 Filler .  
 3,369,269 2/1968 Deck et al. .... 15/230.11  
 3,568,285 3/1971 Lieberg .  
 3,958,292 5/1976 Powell ..... 15/230.11 X  
 4,314,395 2/1982 Brock .

*Primary Examiner*—Catherine E. Kemper  
*Attorney, Agent, or Firm*—Boyd D. Cox

[57] **CLAIM**

The ornamental design for a two handle roller, as shown and described.

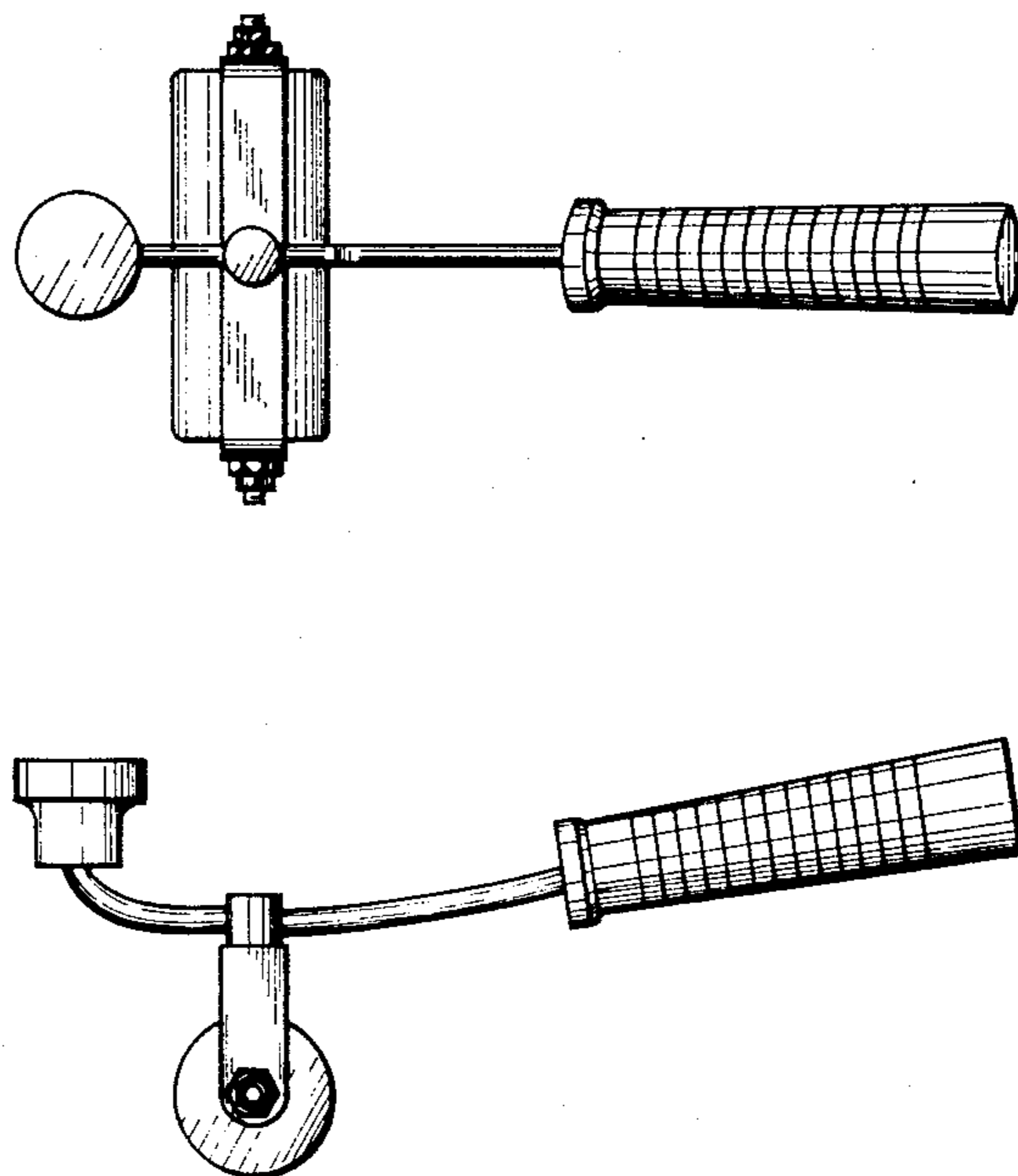
**DESCRIPTION**

FIG. 1 is a top plan view of a two handle roller showing my new design;  
 FIG. 2 is a side elevational view thereof;  
 FIG. 3 is a bottom plan view thereof;  
 FIG. 4 is an end elevational view of the roller from the left of FIG. 2; and  
 FIG. 5 is an end elevational view of the roller from the right of FIG. 2.

[56] **References Cited**

**U.S. PATENT DOCUMENTS**

D. 51,070	7/1917	Kielar	.....	D7/99
132,736	11/1872	Peirce	.	
448,883	3/1891	Kahn	.....	128/57
736,027	8/1903	Sauer	.	
1,441,919	1/1923	Gstalter	.....	15/230.11 X
1,461,815	7/1923	Bird	.	
2,592,969	4/1952	Stachowiak	.....	15/230.11 X



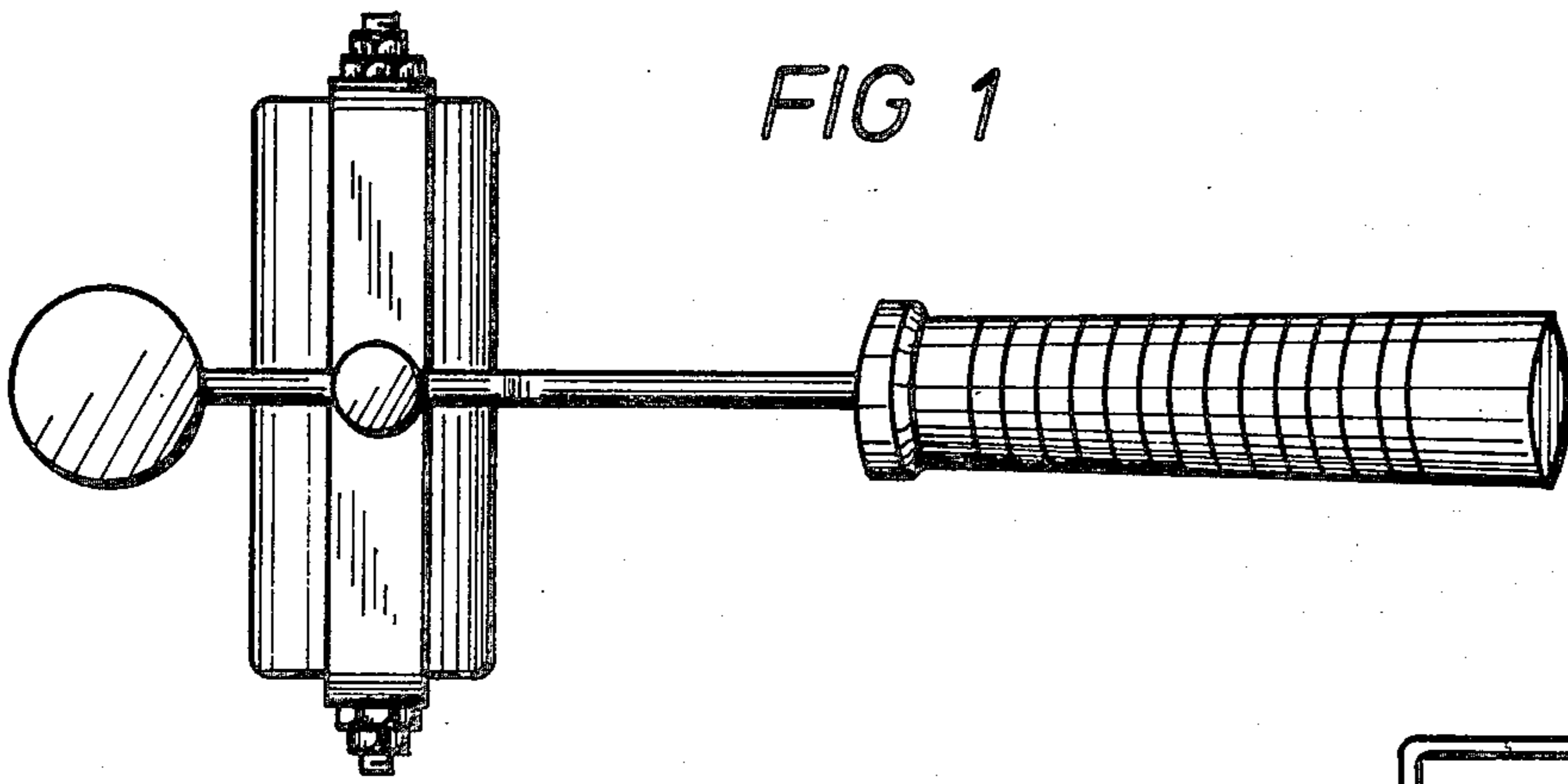


FIG 1

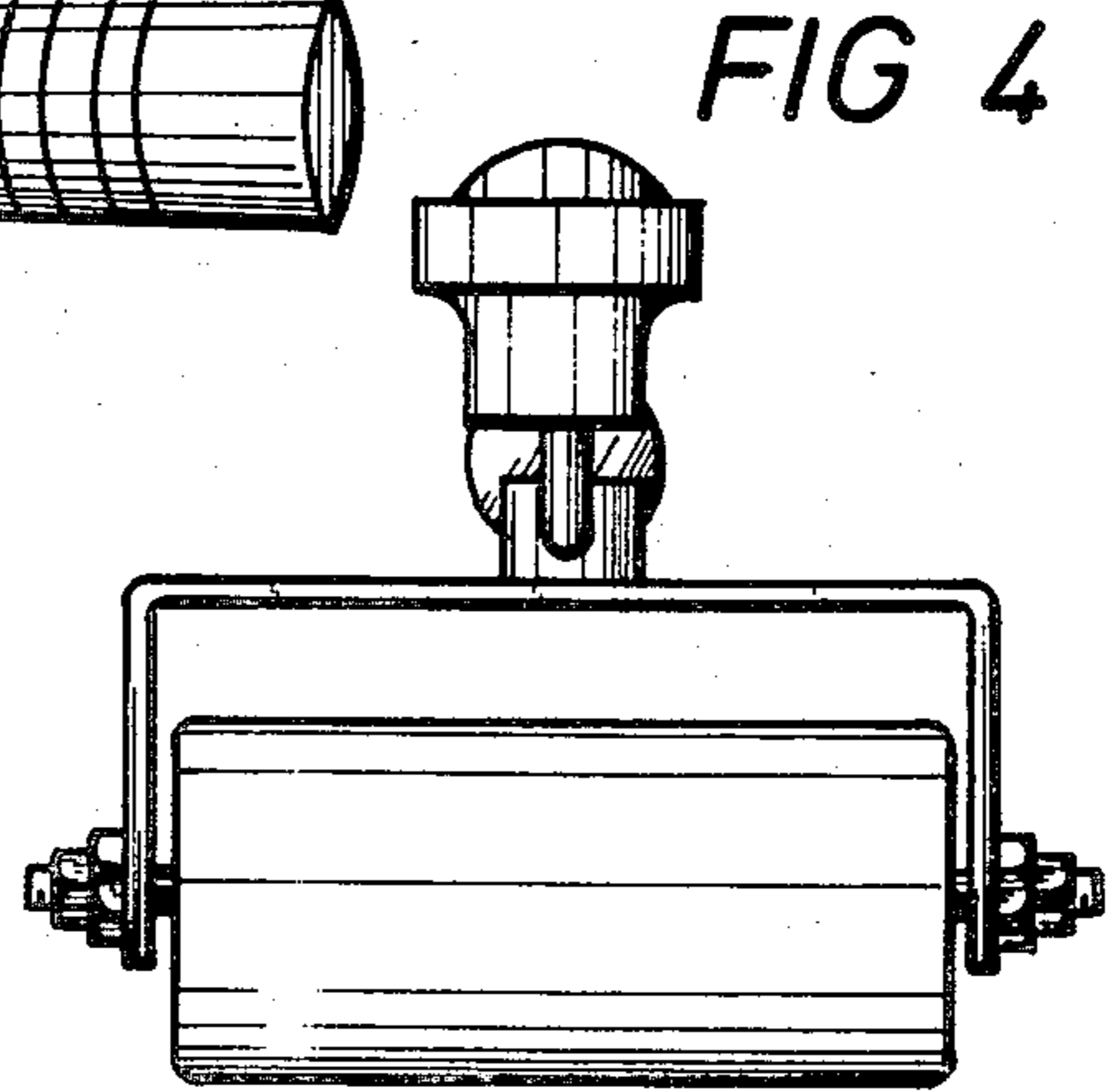


FIG 4

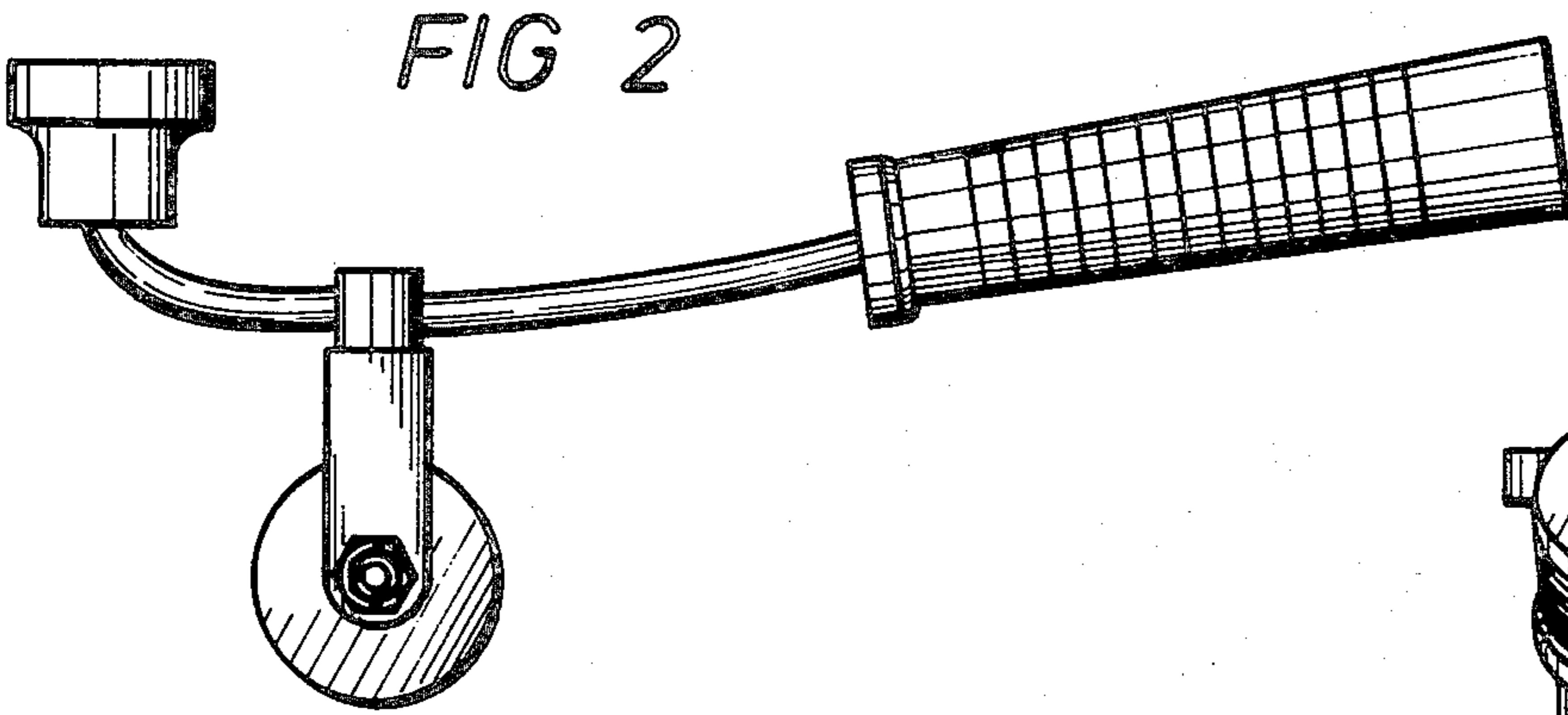


FIG 2

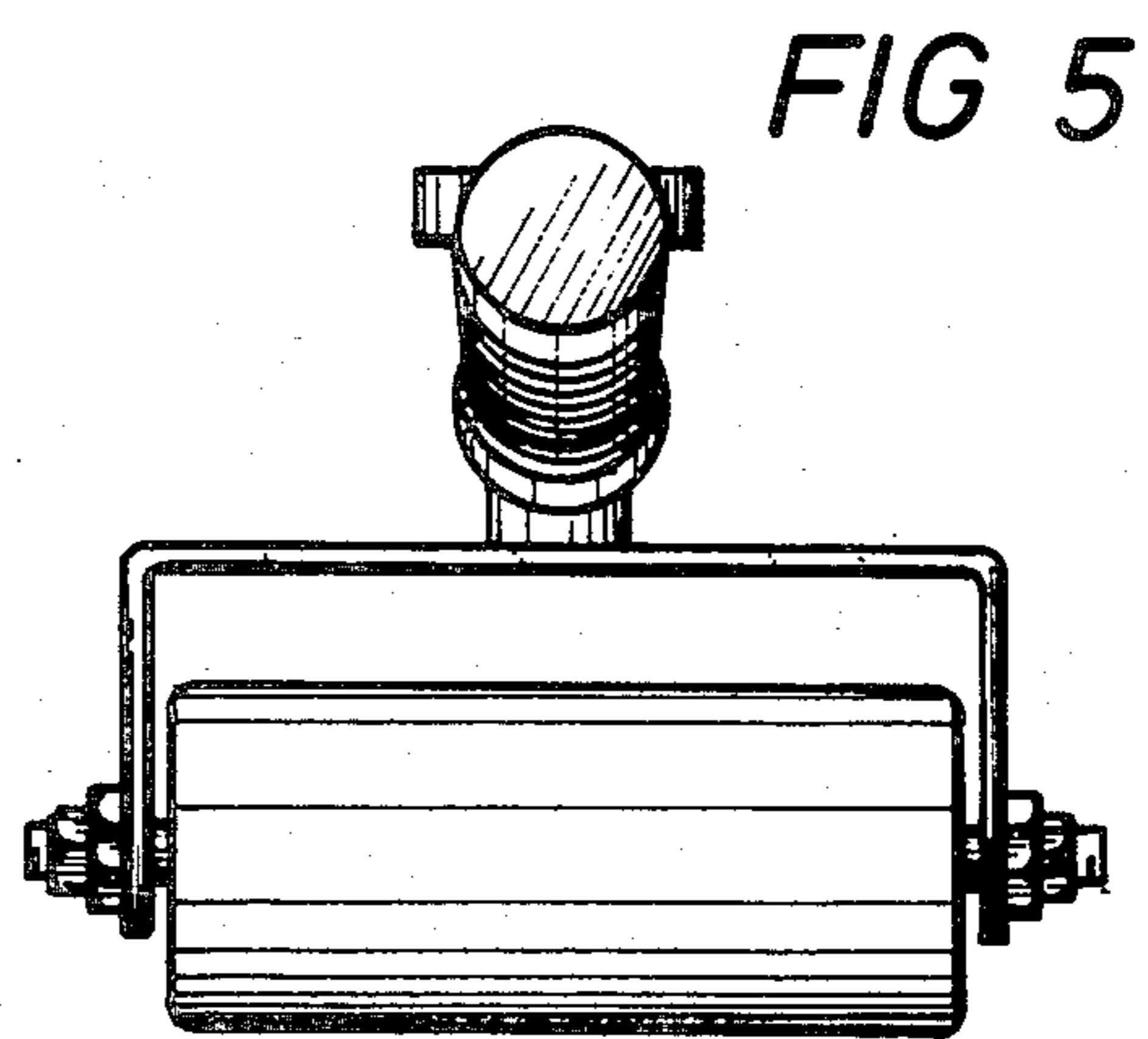


FIG 5

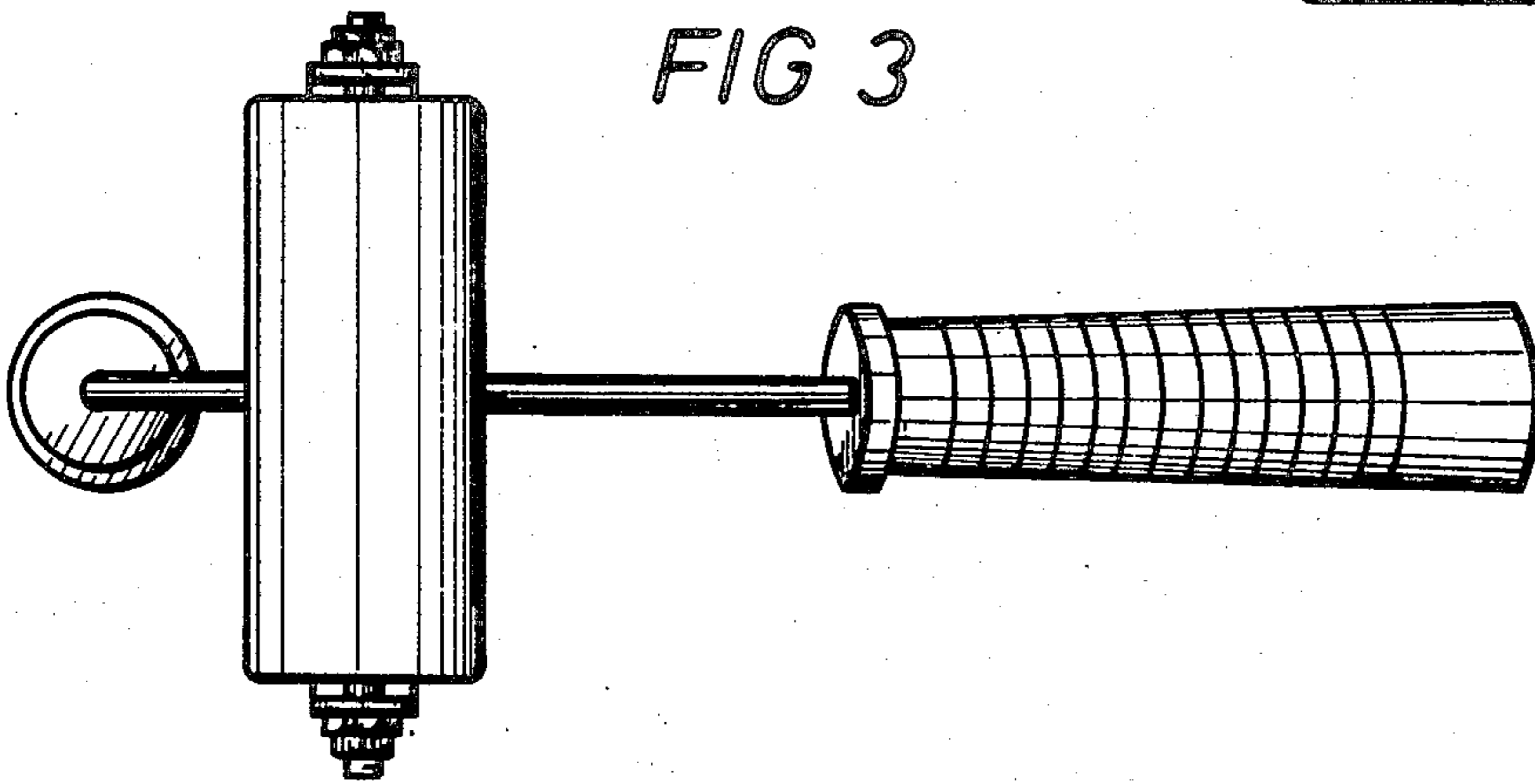


FIG 3