

[54] ADJUSTABLE EQUIPMENT SUPPORT STAND

[76] Inventor: Leslie N. Wilder, 150 Jennie La., Fairfield, Conn. 06430

[**] Term: 14 Years

[21] Appl. No.: 659,774

[22] Filed: Oct. 11, 1984

[52] U.S. Cl. D6/464; D6/407; D6/429; D6/462

[58] Field of Search D6/407, 429, 462, 464; 297/445, 254; 248/187, 441 R

[56] References Cited

U.S. PATENT DOCUMENTS

D. 184,900	4/1959	Von Meyer	D6/464 X
D. 187,378	3/1960	Allen	D6/407
D. 190,501	6/1961	Von Meyer	D6/407
D. 192,120	1/1962	Heling	D6/407
D. 203,513	1/1966	Warren	D6/462
3,744,845	7/1973	Sooker	297/445

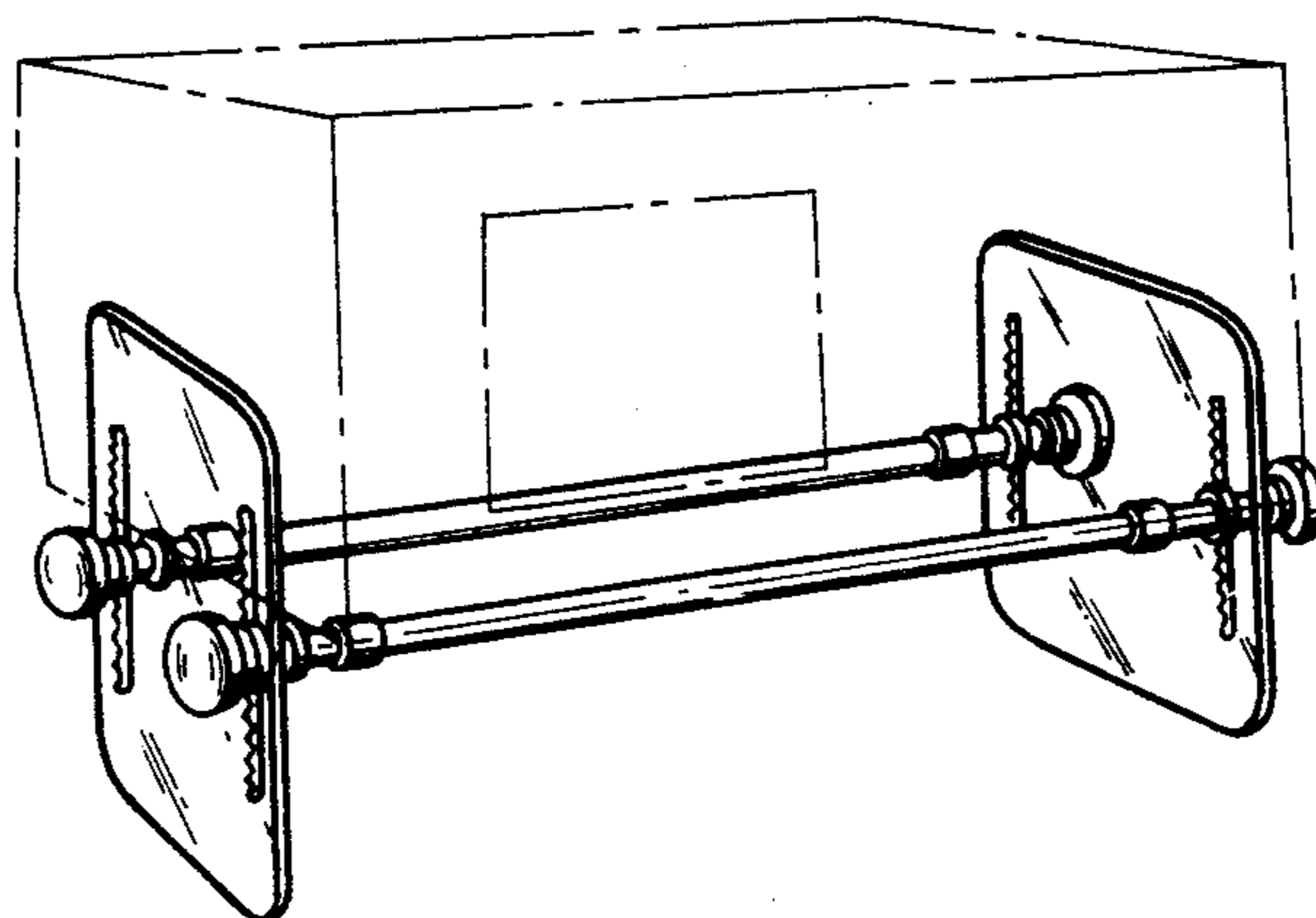
Primary Examiner—Bruce W. Dunkins
Attorney, Agent, or Firm—McAulay, Fields, Fisher, Goldstein & Nissen

[57] CLAIM

The ornamental design for an adjustable equipment support stand, substantially as shown and described.

DESCRIPTION

FIG. 1 is a perspective view of an adjustable equipment support stand showing my design, the broken lines disclosed therein being for illustrative purposes only; FIG. 2 is a front elevational view thereof on an enlarged scale, the rear elevational view being substantially the same; FIG. 3 is a top plan view thereof on an enlarged scale, the bottom plan view thereof being substantially the same; and FIG. 4 is a left end elevational view thereof on an enlarged scale, the right end elevational view being substantially a mirror image thereof. FIGS. 2 and 3 have been shown broken away at the center for ease of illustration.



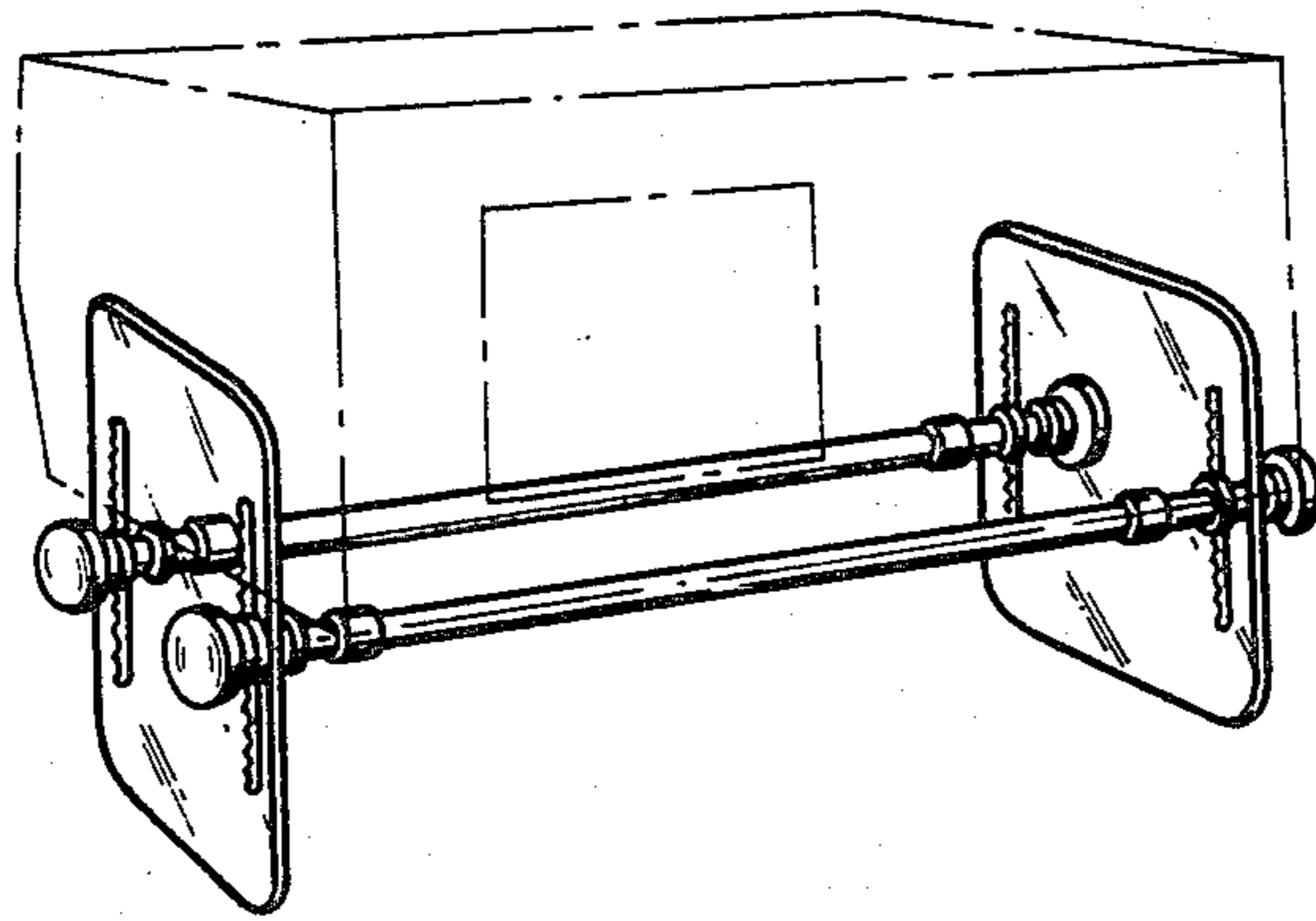


Fig. 1

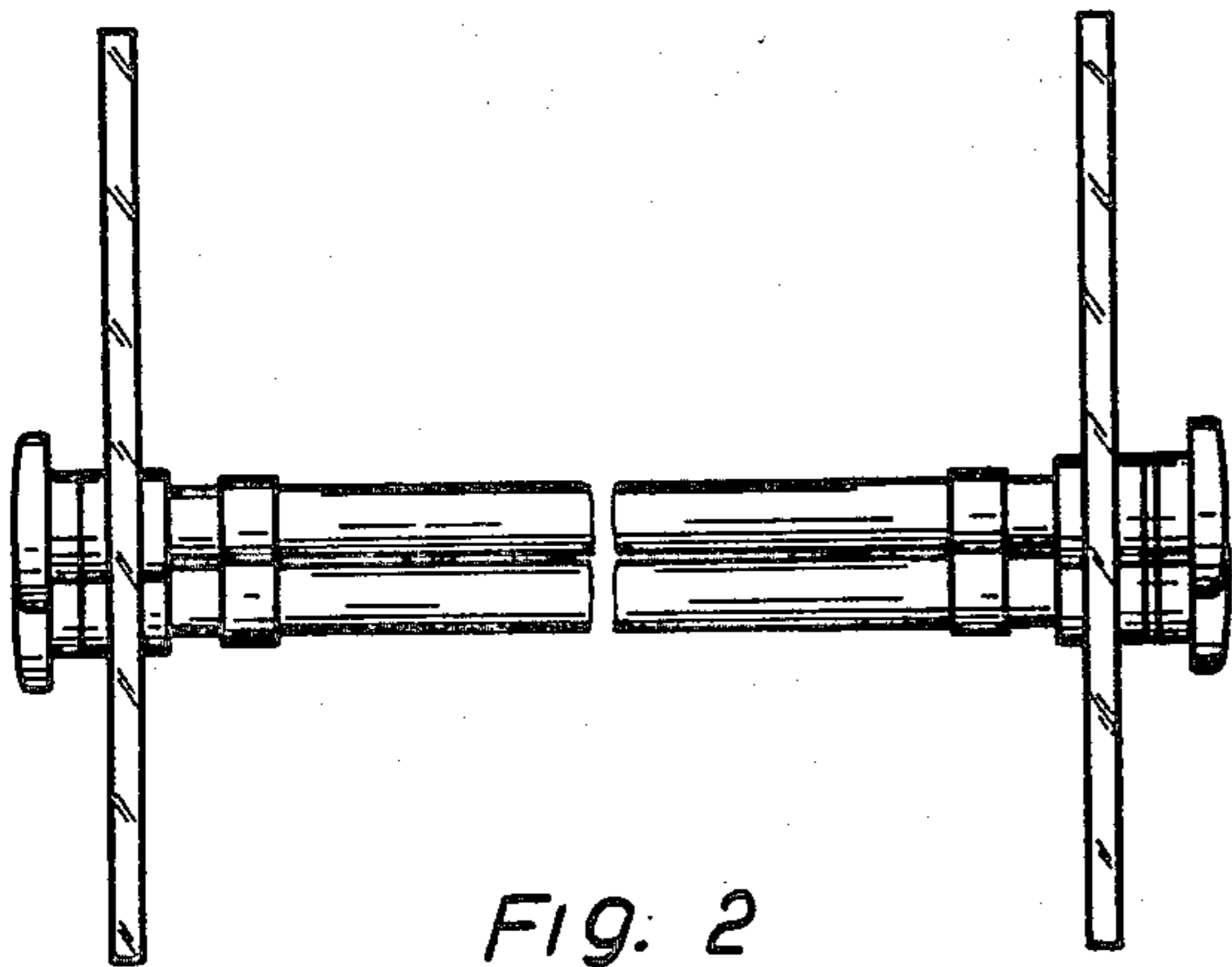


Fig. 2

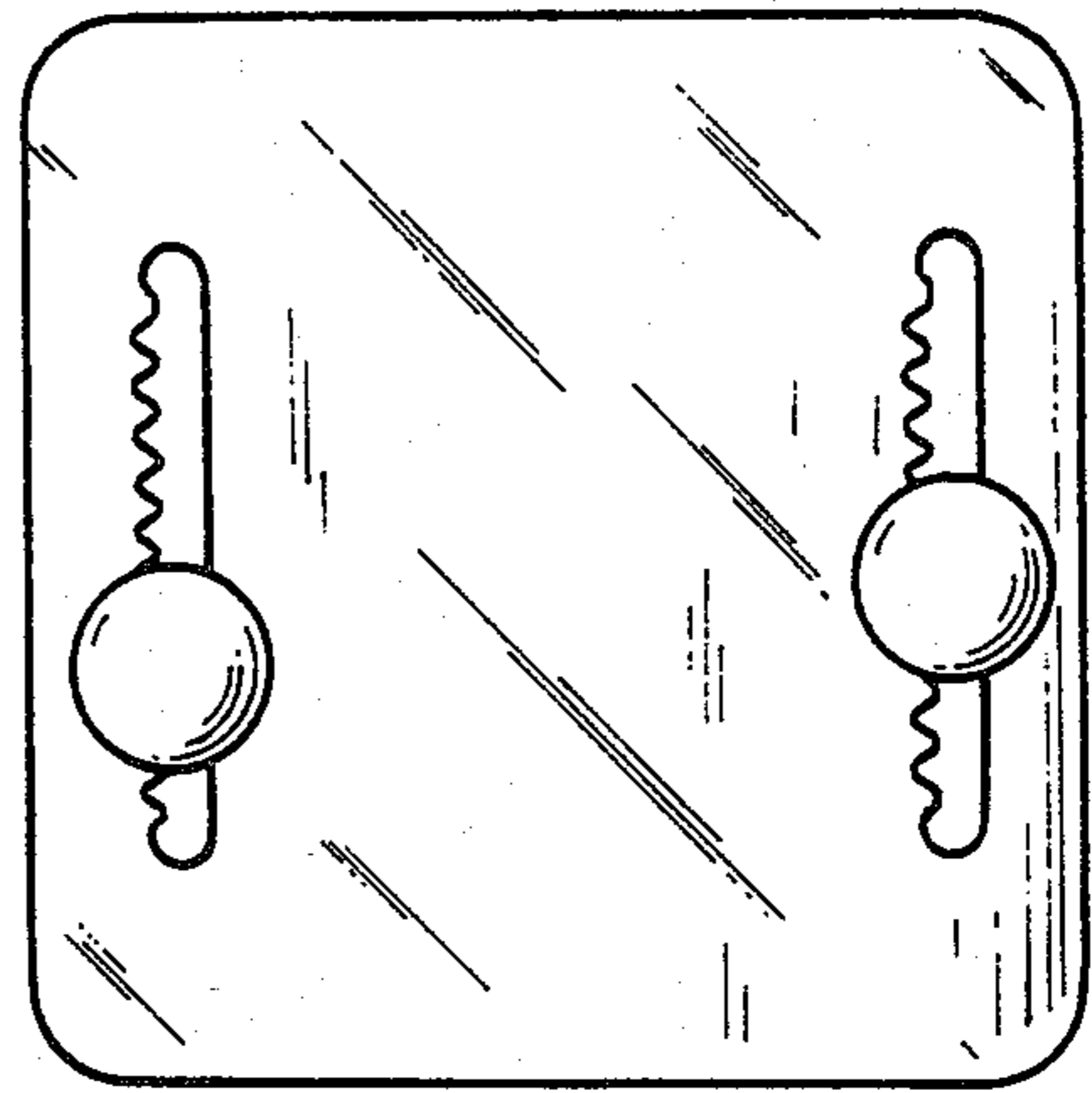


Fig. 4

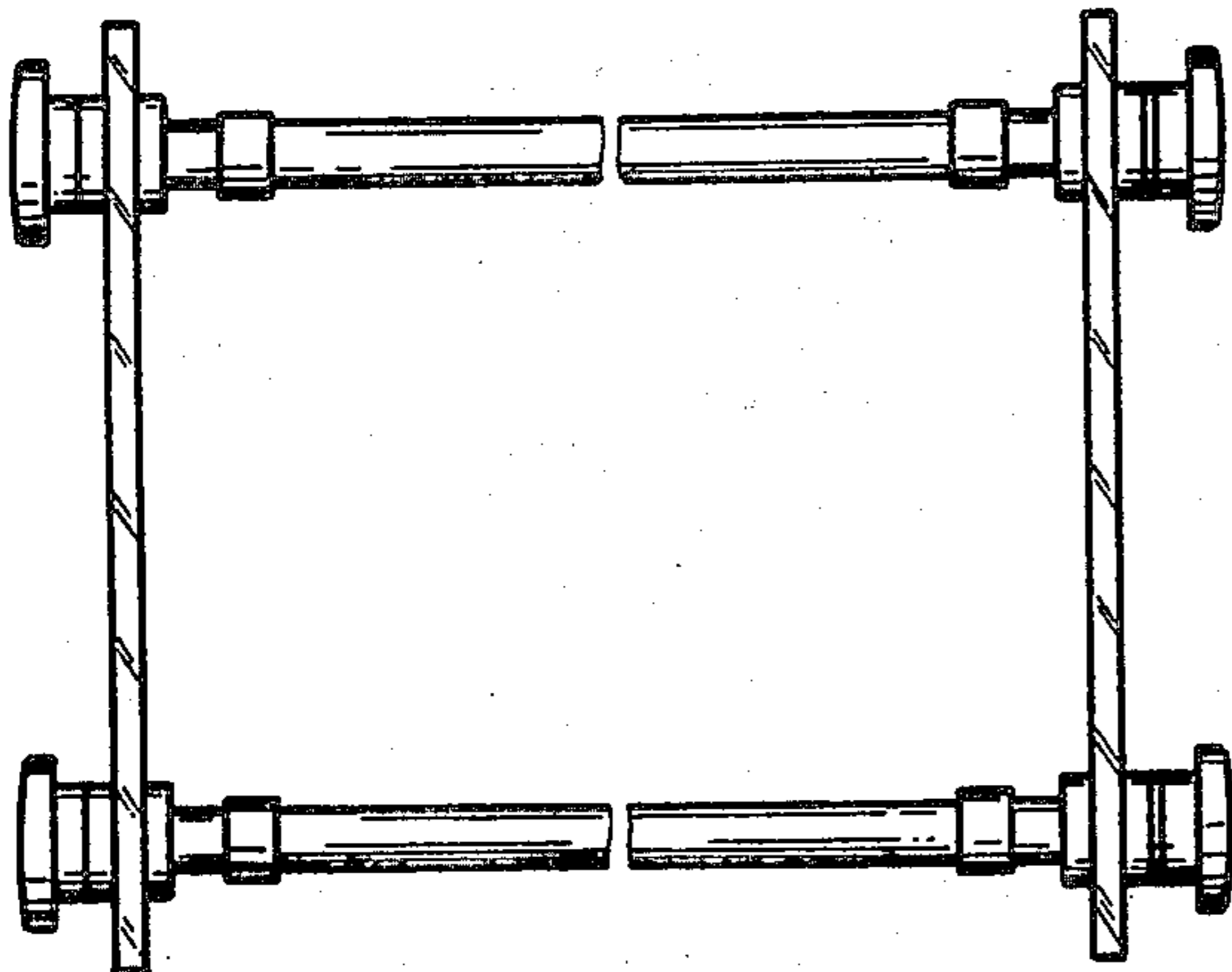


Fig. 3