

[54] **VIDEO DISPLAY TERMINAL STAND**

[75] Inventor: **James F. Hampshire**, Stephens City, Va.

[73] Assignee: **Rubbermaid Commercial Products, Inc.**, Winchester, Va.

[**] Term: **14 Years**

[21] Appl. No.: **703,378**

[22] Filed: **Feb. 20, 1985**

[52] U.S. Cl. **D6/431; D6/426; D6/474; D6/486**

[58] Field of Search **D6/422-429, D6/430, 431, 474, 477, 479, 480, 486**

[56] **References Cited**

U.S. PATENT DOCUMENTS

- D. 266,468 10/1982 Ylänkö D6/429 X
- D. 270,788 10/1983 Umanoff et al. D6/431
- D. 274,586 7/1984 Cope et al. D6/431 X
- D. 277,056 1/1985 Nicholson D6/420

OTHER PUBLICATIONS

Catalog p. 1 entitled "INOTEC" published by Intotec Systems Inc., P.O. Box 330; Oakmont, PA 15139, Date of publication unknown.

"Westinghouse Wes-Tech" catalog, p. 2, Westinghouse

Electric Corporation, 4300 36th St. SE Grand Rapids, MI 49508, Date of publication unknown.

"Series 3900 Work Stations" catalog, p. 1, Monarch Systems, Inc., P.O. Box 4081, New Windsor, NY 12550, Publication date unknown.

"Steelcase" catalog p. 1, Steelcase Inc., Grand Rapids, MI 49501, Publication date unknown.

Primary Examiner—Bruce W. Dunkins

Attorney, Agent, or Firm—Richard B. O'Planick

[57] **CLAIM**

The ornamental design for a video display terminal stand, as shown and described.

DESCRIPTION

FIG. 1 is a perspective view of a video display terminal stand, embodying my new design, illustrated in a position having the work surfaces thereof in a fully retracted parallel orientation.

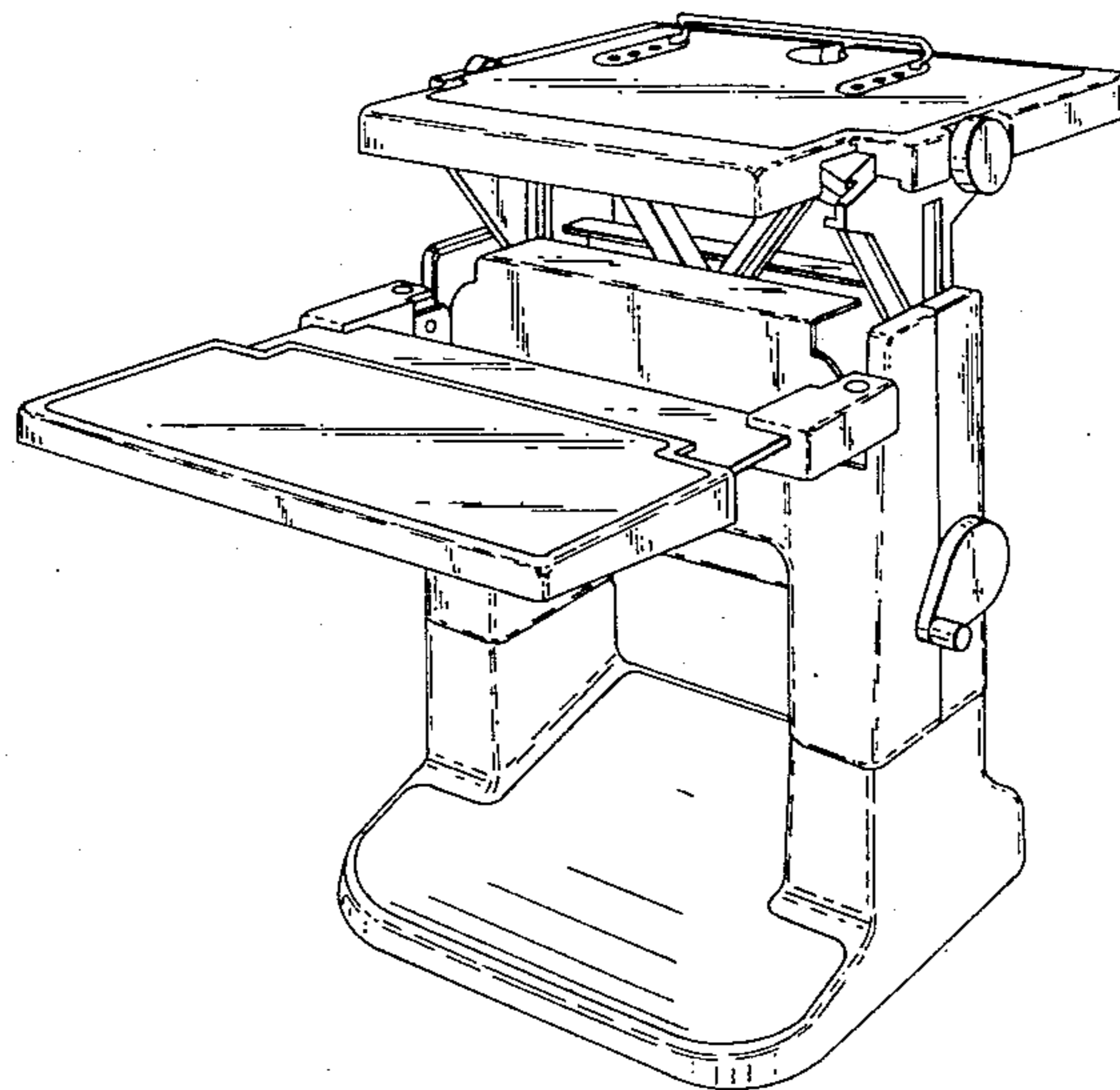
FIG. 2 is a perspective view thereof, with the work surfaces illustrated in the fully extended position.

FIG. 3 is a side elevation of the video display terminal stand, the side not shown being a mirror image thereof.

FIG. 4 is a front elevation view thereof.

FIG. 5 is a rear elevation view thereof.

FIG. 6 is a top plan view thereof.



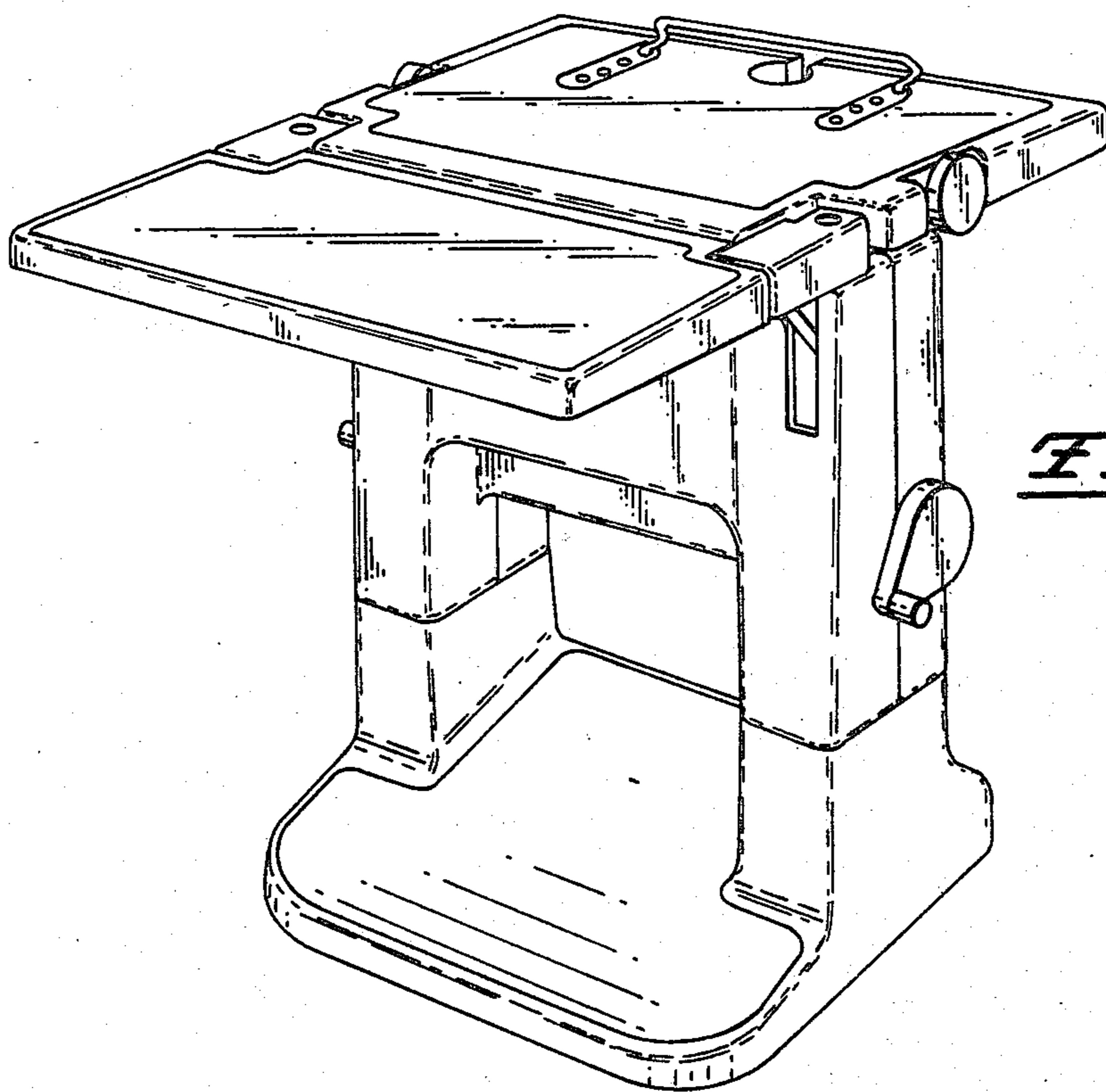


Fig. 1

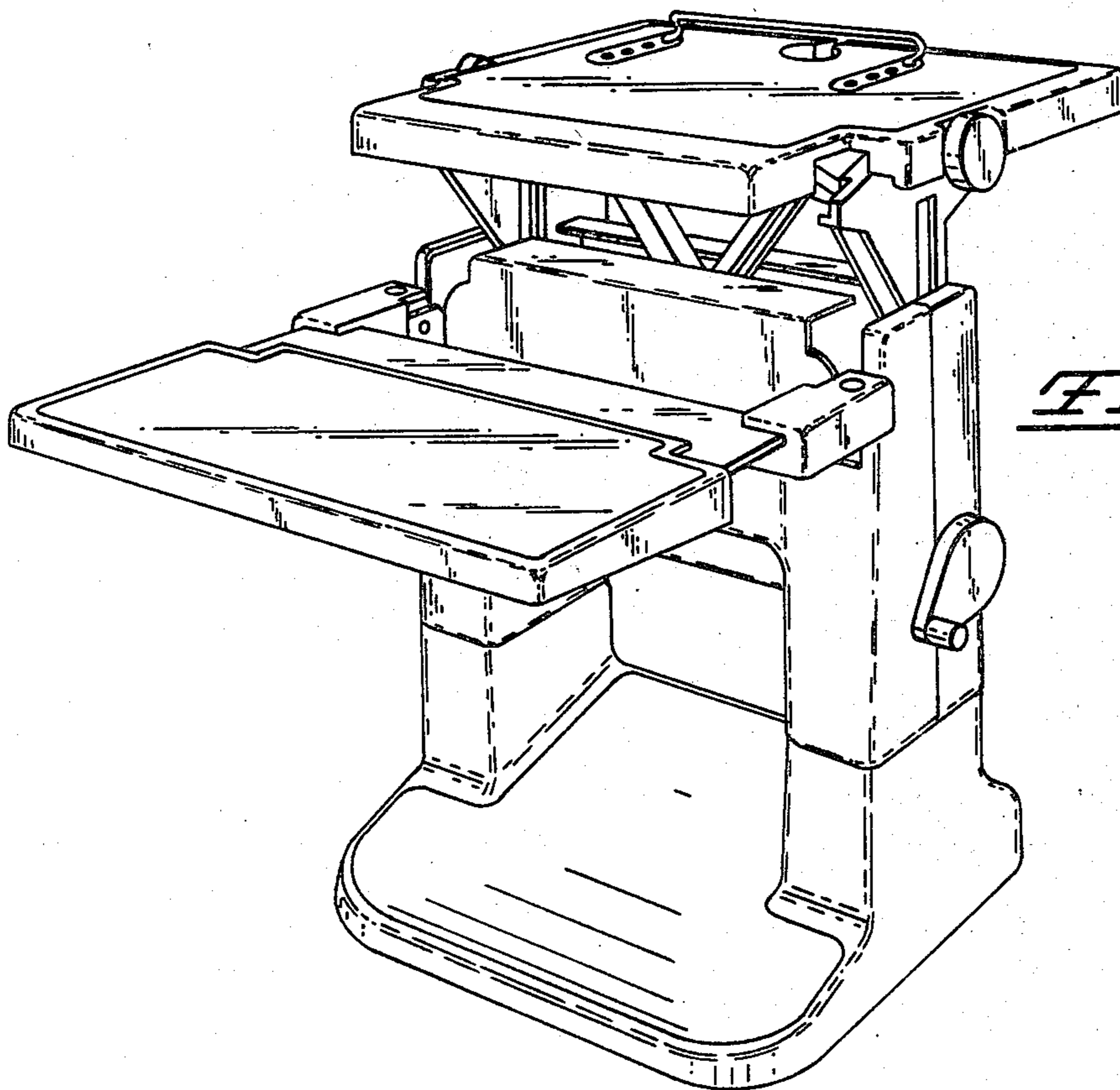
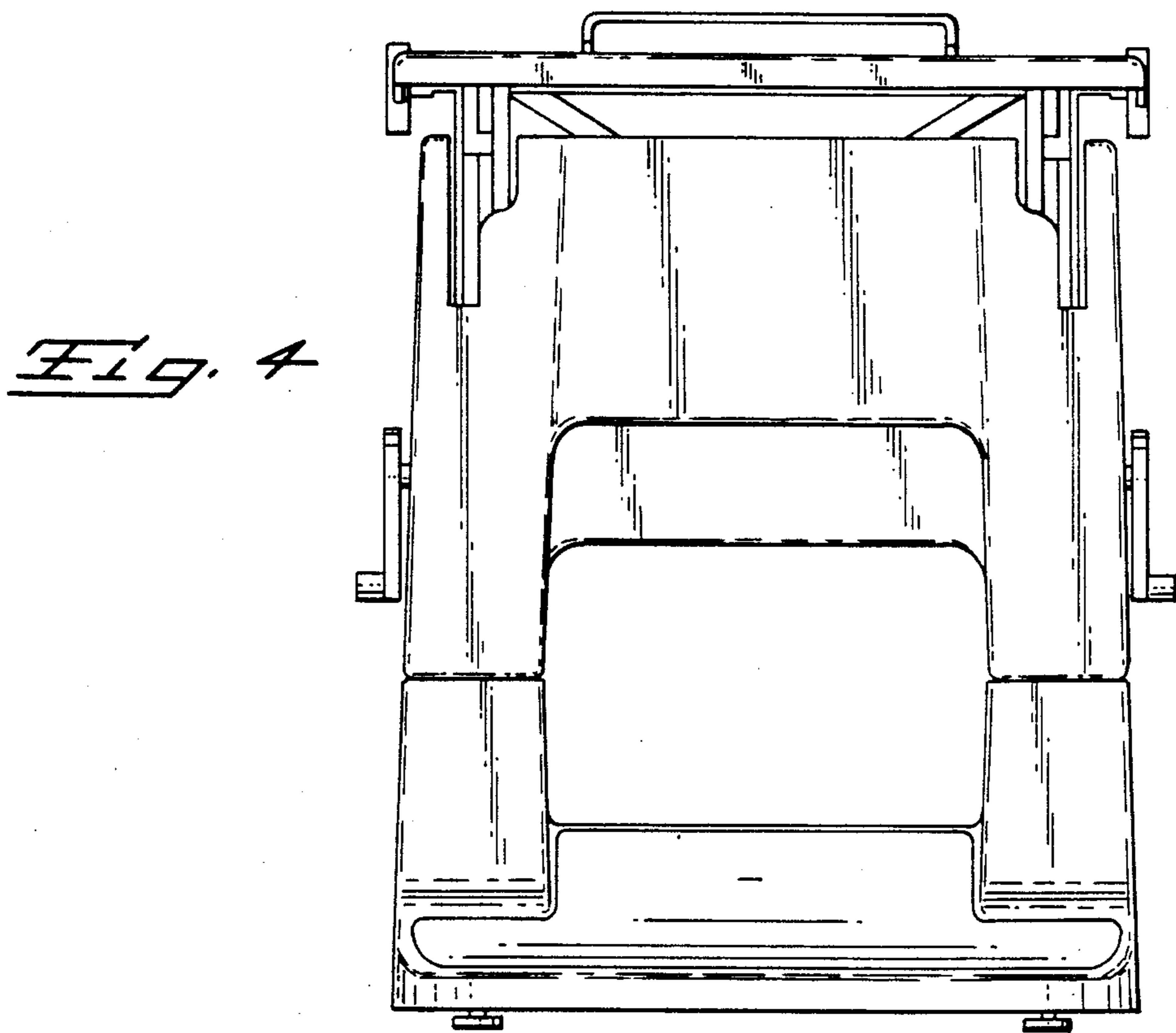
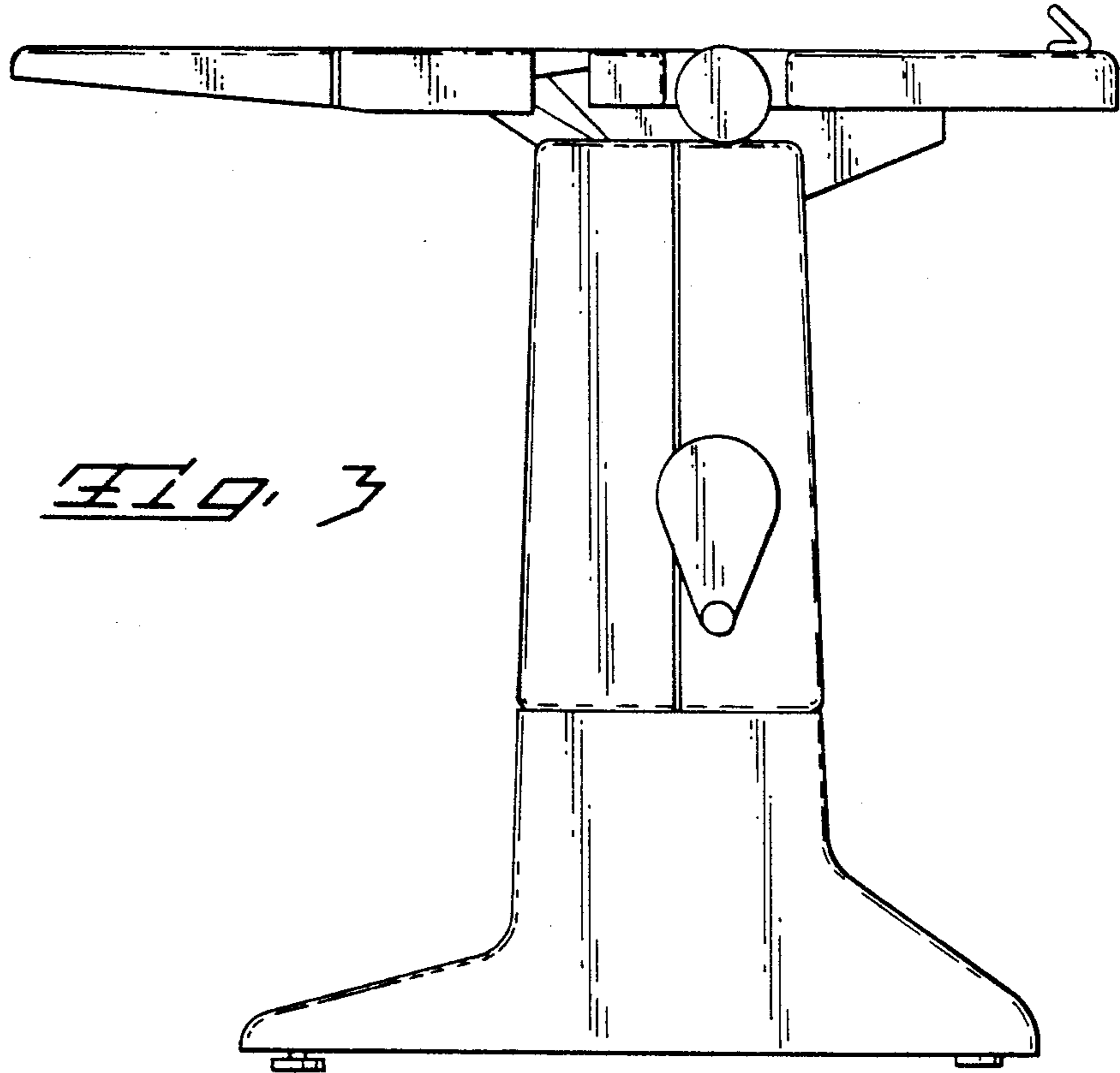


Fig. 2



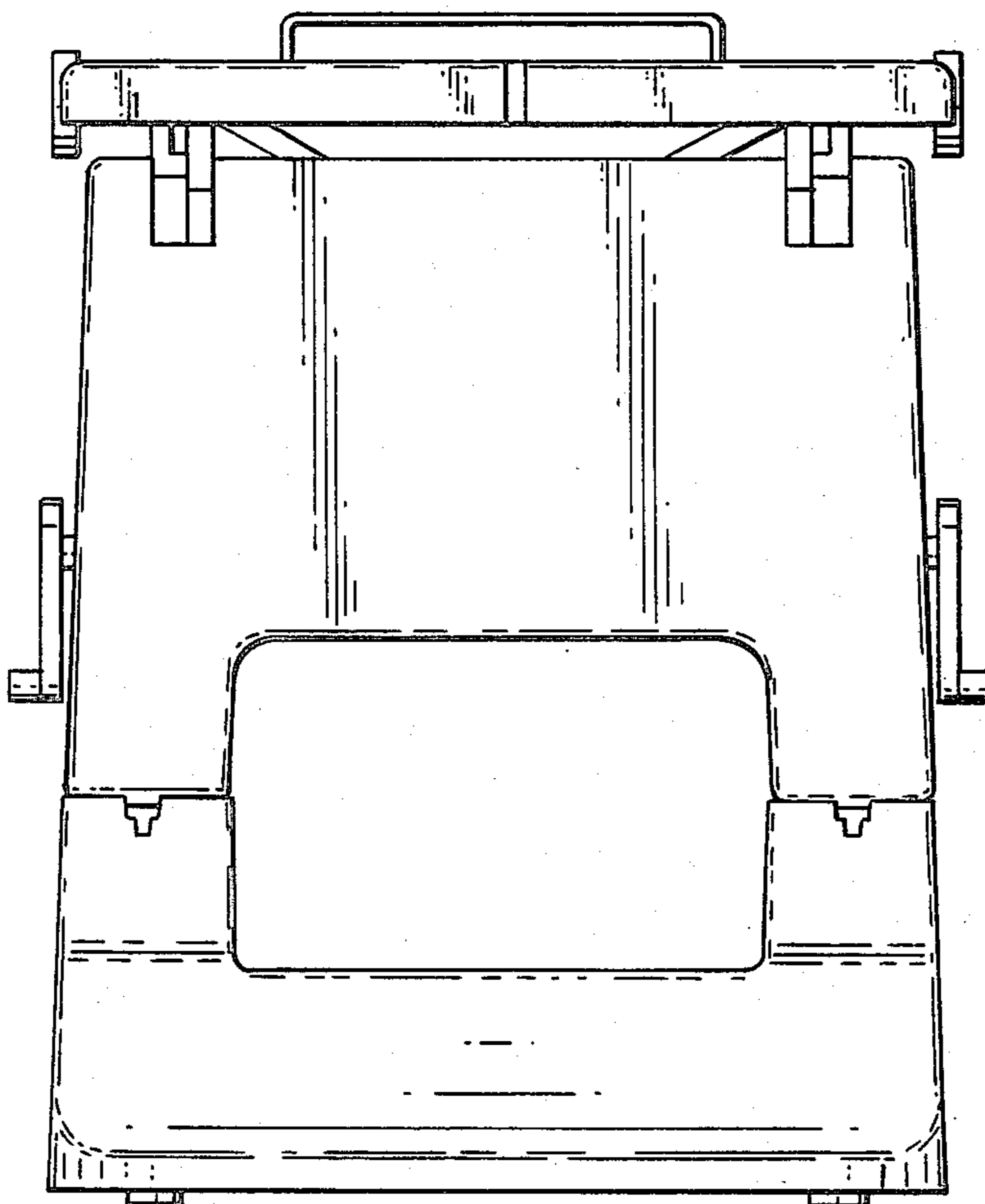


Fig. 5

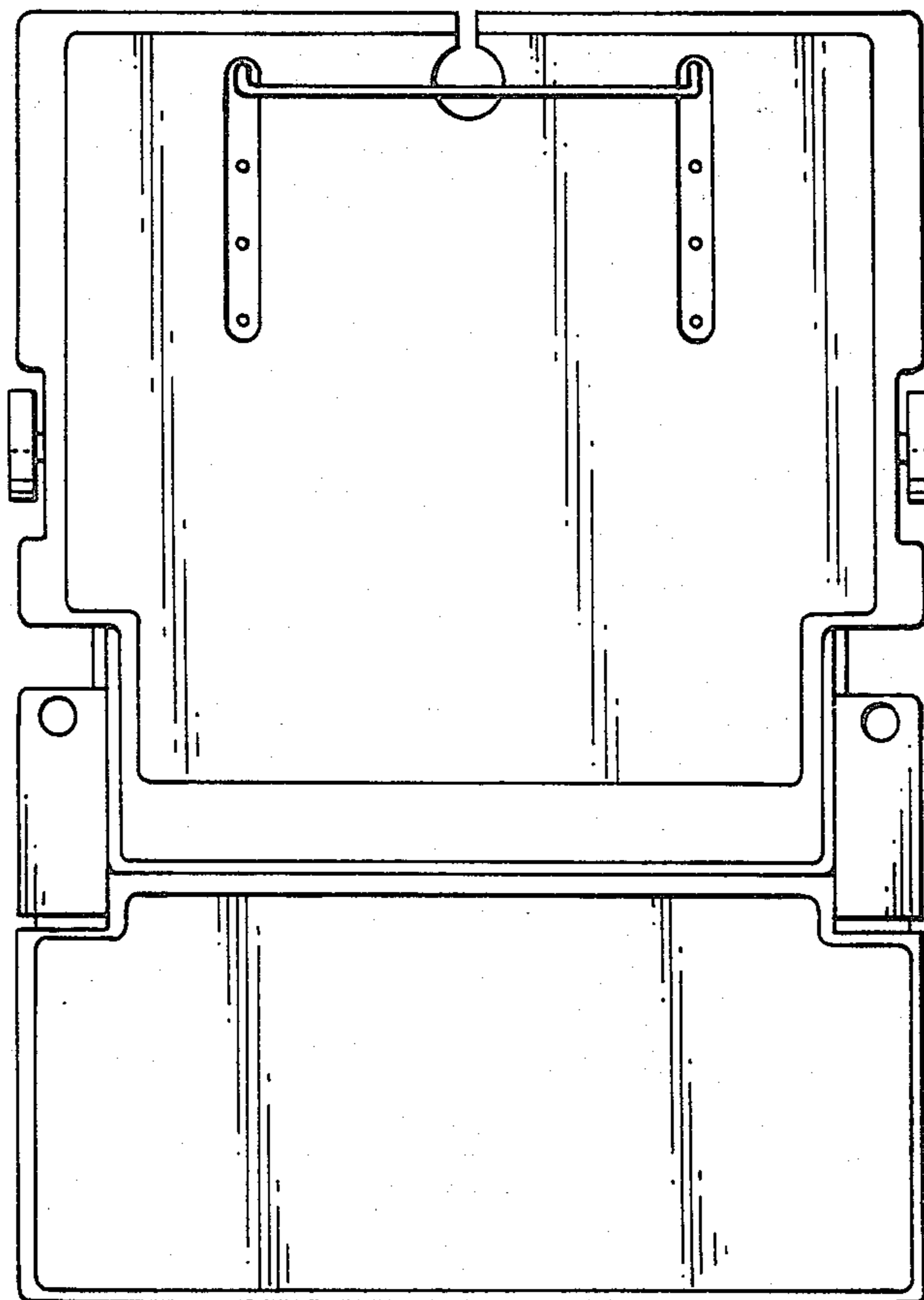


Fig. 6