

[54] CHAIR

[75] Inventors: Mark A. Harter, Hamilton; Raoul J. P. Schoumaker, Wyoming, both of Mich.; Shoichi Kurokawa, Tokyo, Japan

[73] Assignee: Westinghouse Electric Corp., Pittsburgh, Pa.

[**] Term: 14 Years

[21] Appl. No.: 637,252

[22] Filed: Aug. 3, 1984

[52] U.S. Cl. D6/366

[58] Field of Search D6/365, 366, 356, 360 367, 379, 380; 297/325, 344, 345, 445; 248/188.7

[56] References Cited

U.S. PATENT DOCUMENTS

D. 250,374	11/1978	Prizlow et al.	D6/366
D. 254,278	2/1980	Wilson	D6/366
D. 259,000	4/1981	Vogtherr	D6/366
D. 259,750	7/1981	Buhk	D6/366
D. 273,730	5/1984	Cafiero	D6/366
D. 274,868	7/1984	Lopez-Benitez	D6/366
D. 279,332	6/1985	Diffriant	D6/379

OTHER PUBLICATIONS

Design Catalog, Apr. 1981, p. 40, Chair by Giroflex.

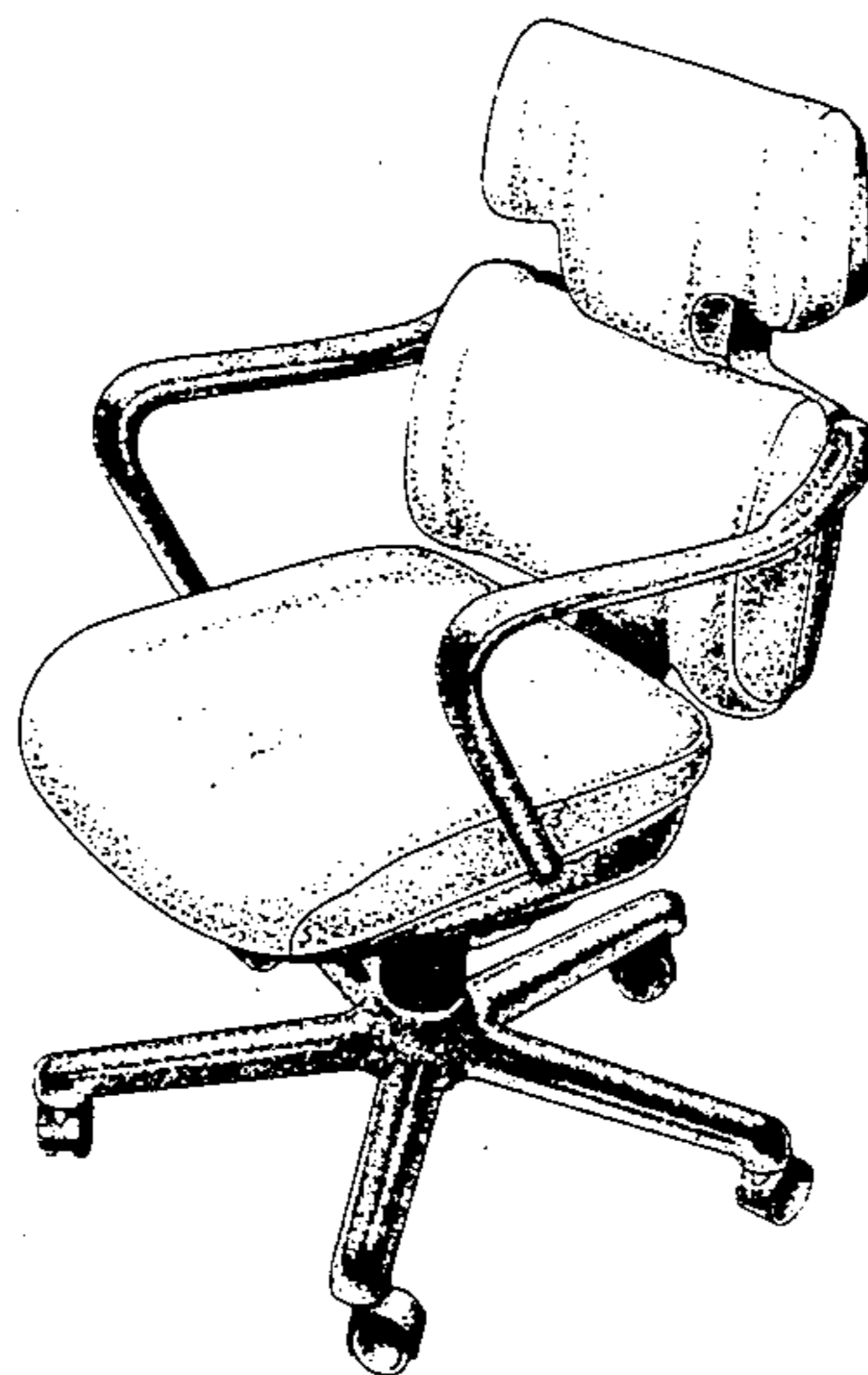
Primary Examiner—Bruce W. Dunkins
Attorney, Agent, or Firm—B. R. Studebaker

[57] CLAIM

The ornamental design for a chair, substantially as shown and described.

DESCRIPTION

FIG. 1 is a front perspective view of a chair showing our design;
 FIG. 2 is a front elevational view thereof;
 FIG. 3 is a top plan view thereof;
 FIG. 4 is a side elevational view thereof;
 FIG. 5 is a back elevational view thereof;
 FIG. 6 is a perspective view of a shorter chair illustrating our new design;
 FIG. 7 is a front elevational view thereof;
 FIG. 8 is a top plan view thereof;
 FIG. 9 is a side elevational view thereof;
 FIG. 10 is a back elevational view thereof;
 FIG. 11 is a perspective view of a taller chair illustrating our new design;
 FIG. 12 is a front elevational view thereof;
 FIG. 13 is a top plan view thereof;
 FIG. 14 is a side elevational view thereof; and
 FIG. 15 is a rear elevational view thereof.



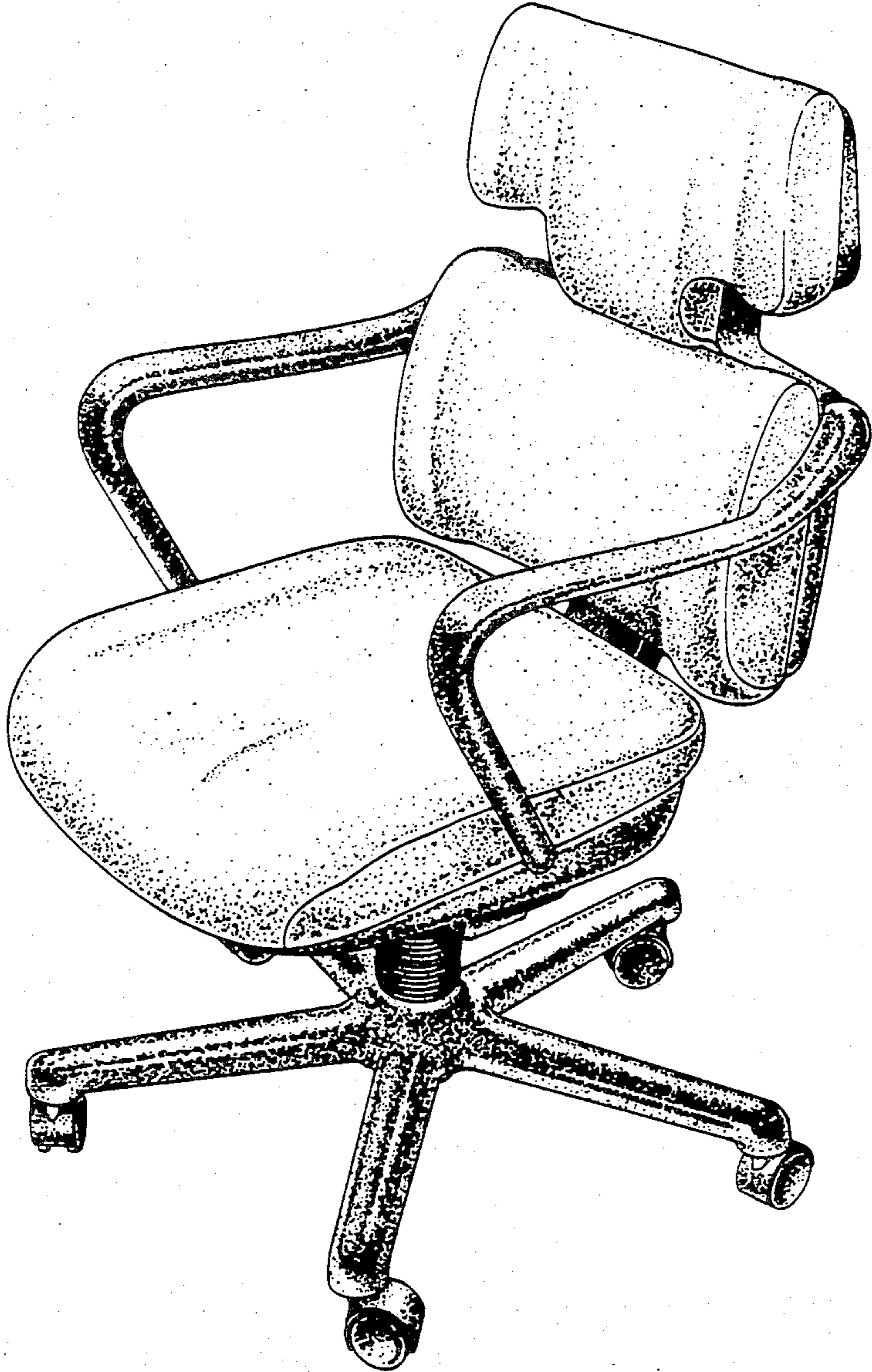


FIG. 1

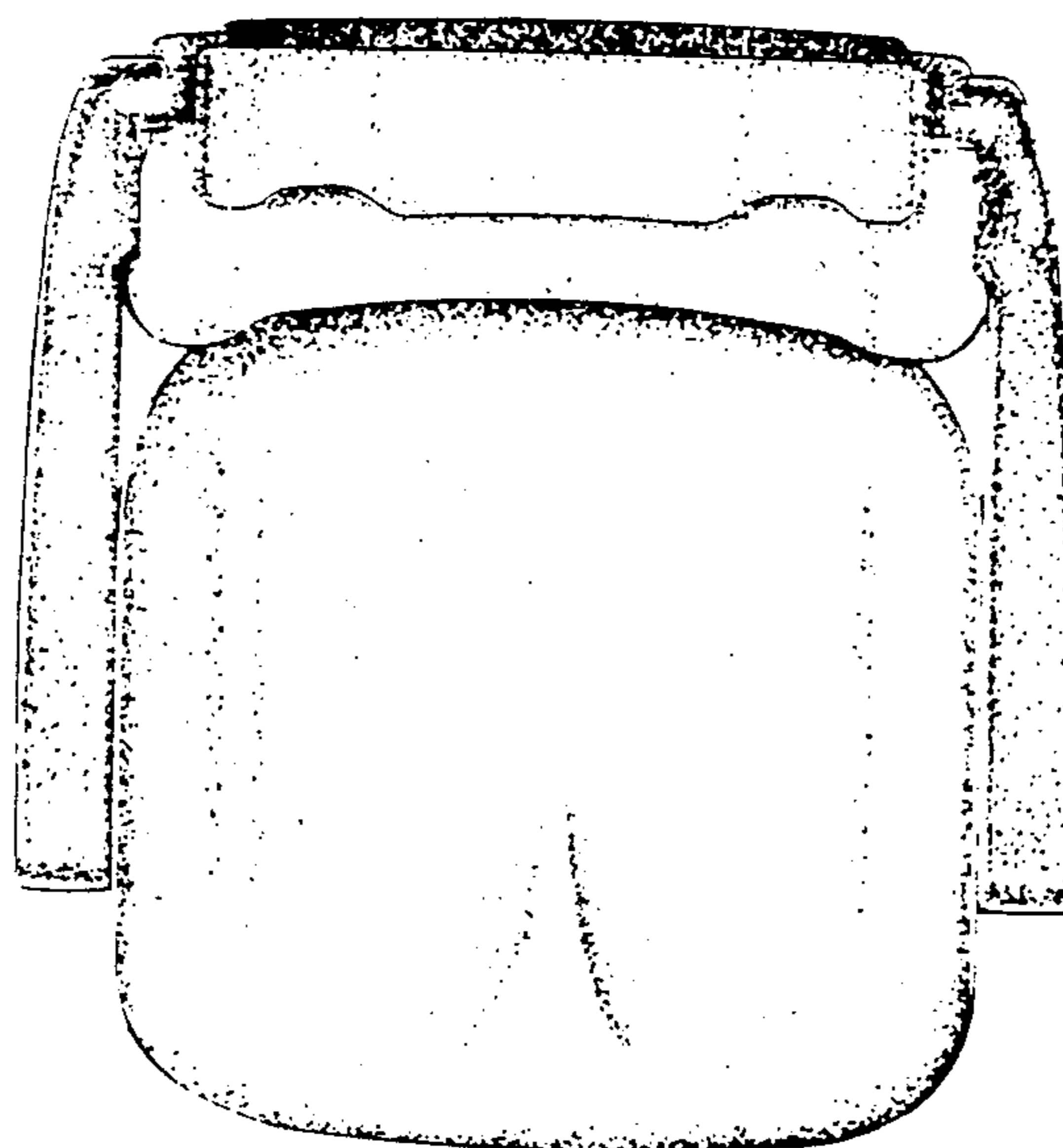


FIG. 3

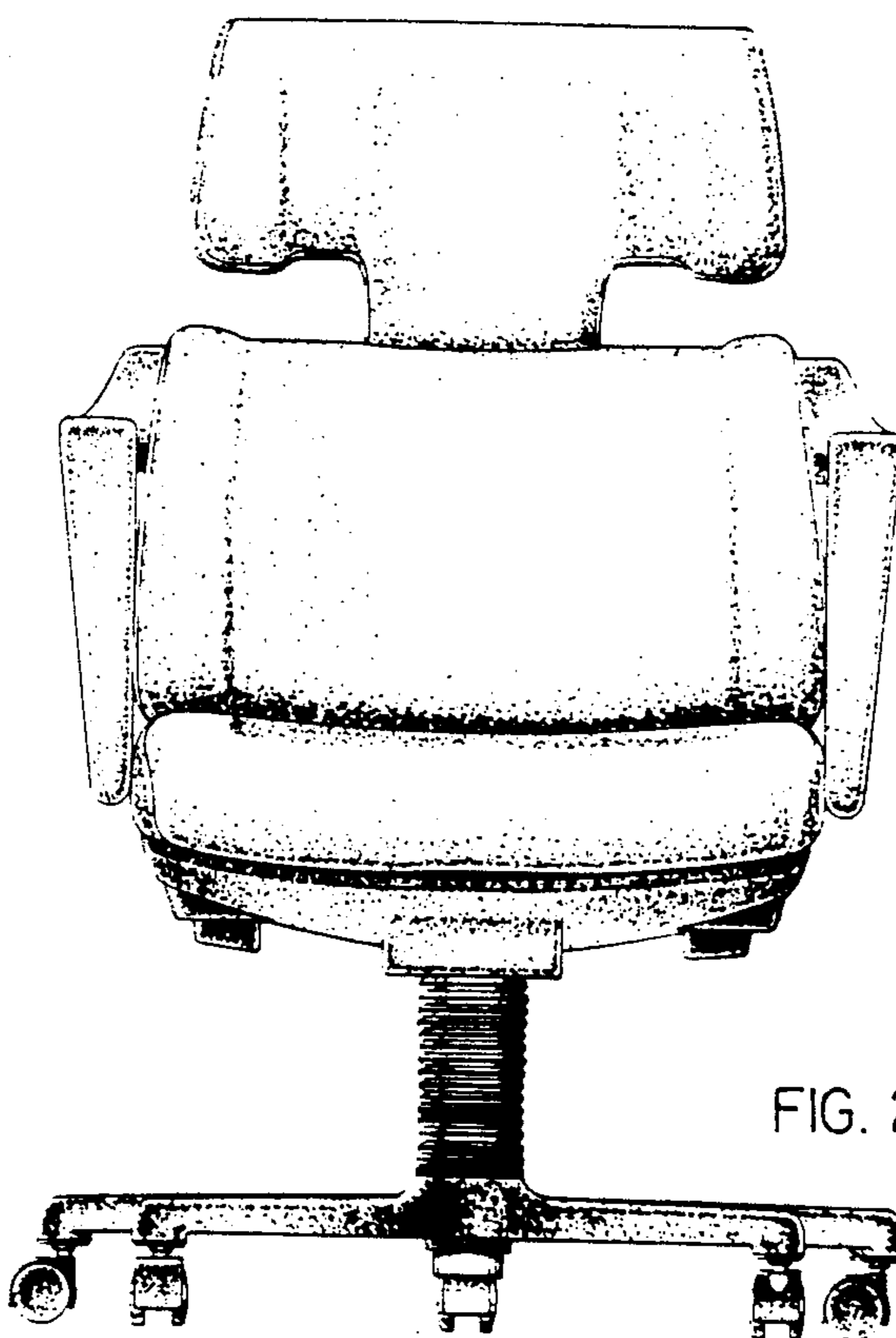


FIG. 2

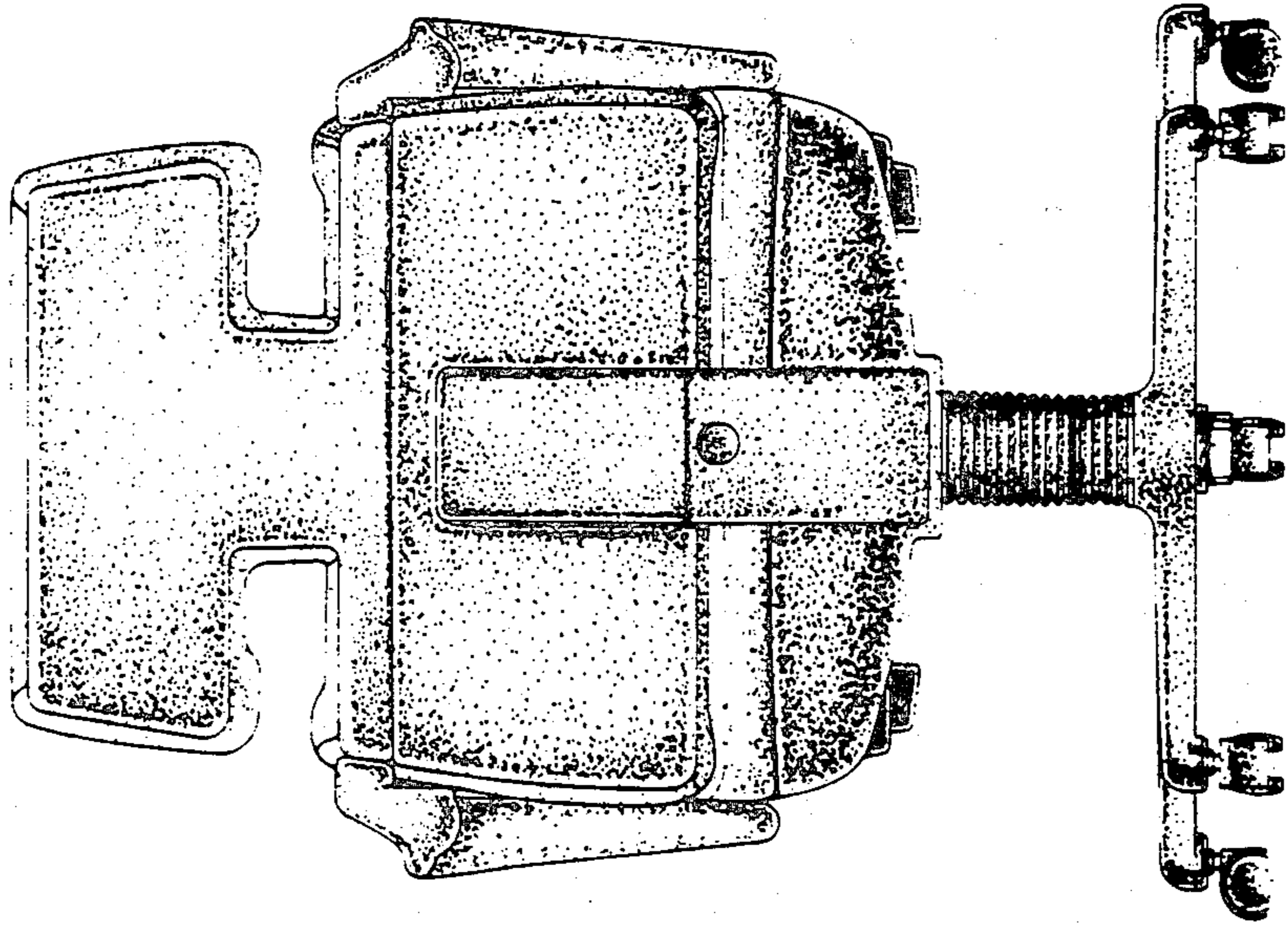


FIG. 5

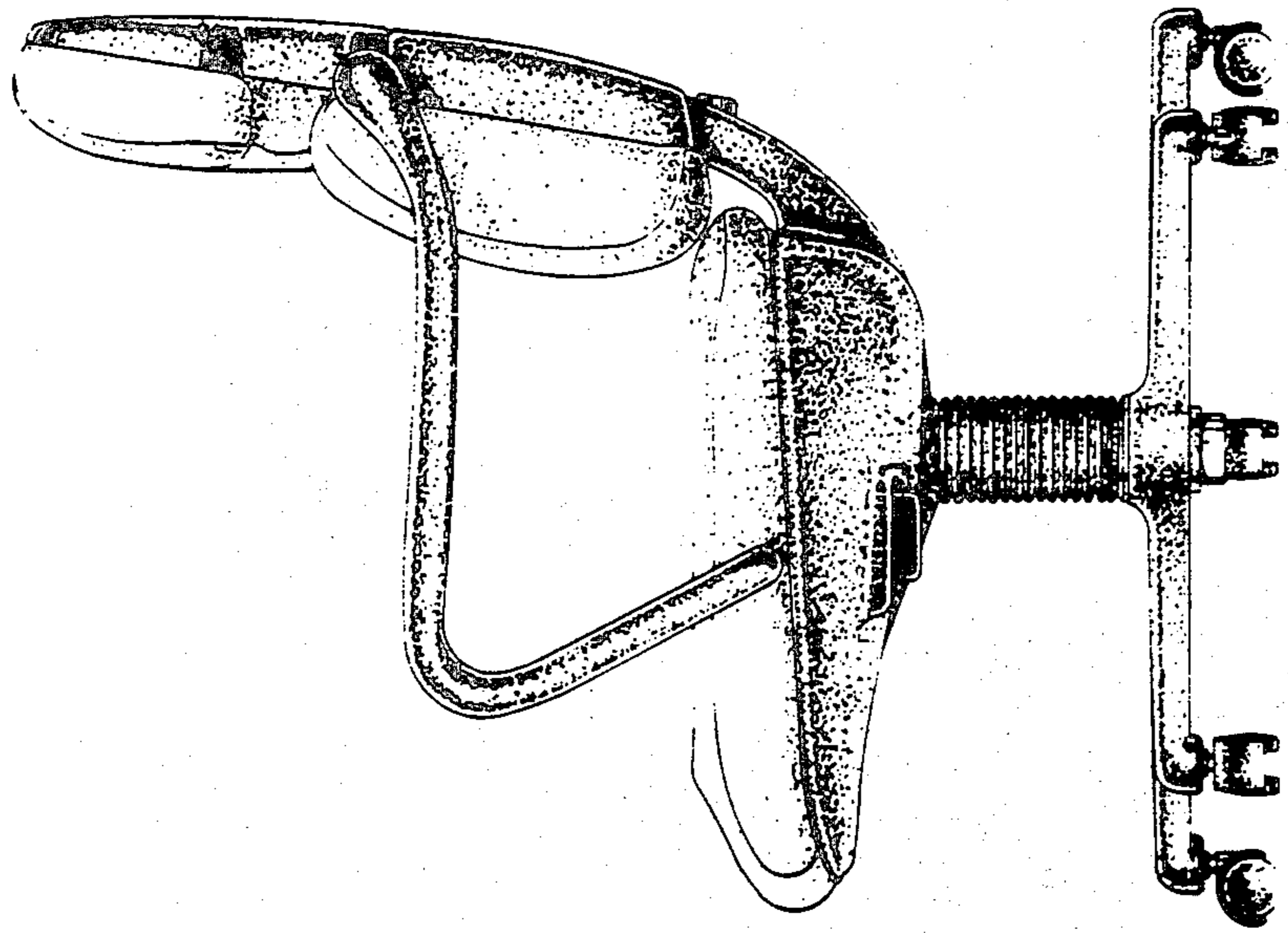


FIG. 4



FIG. 6

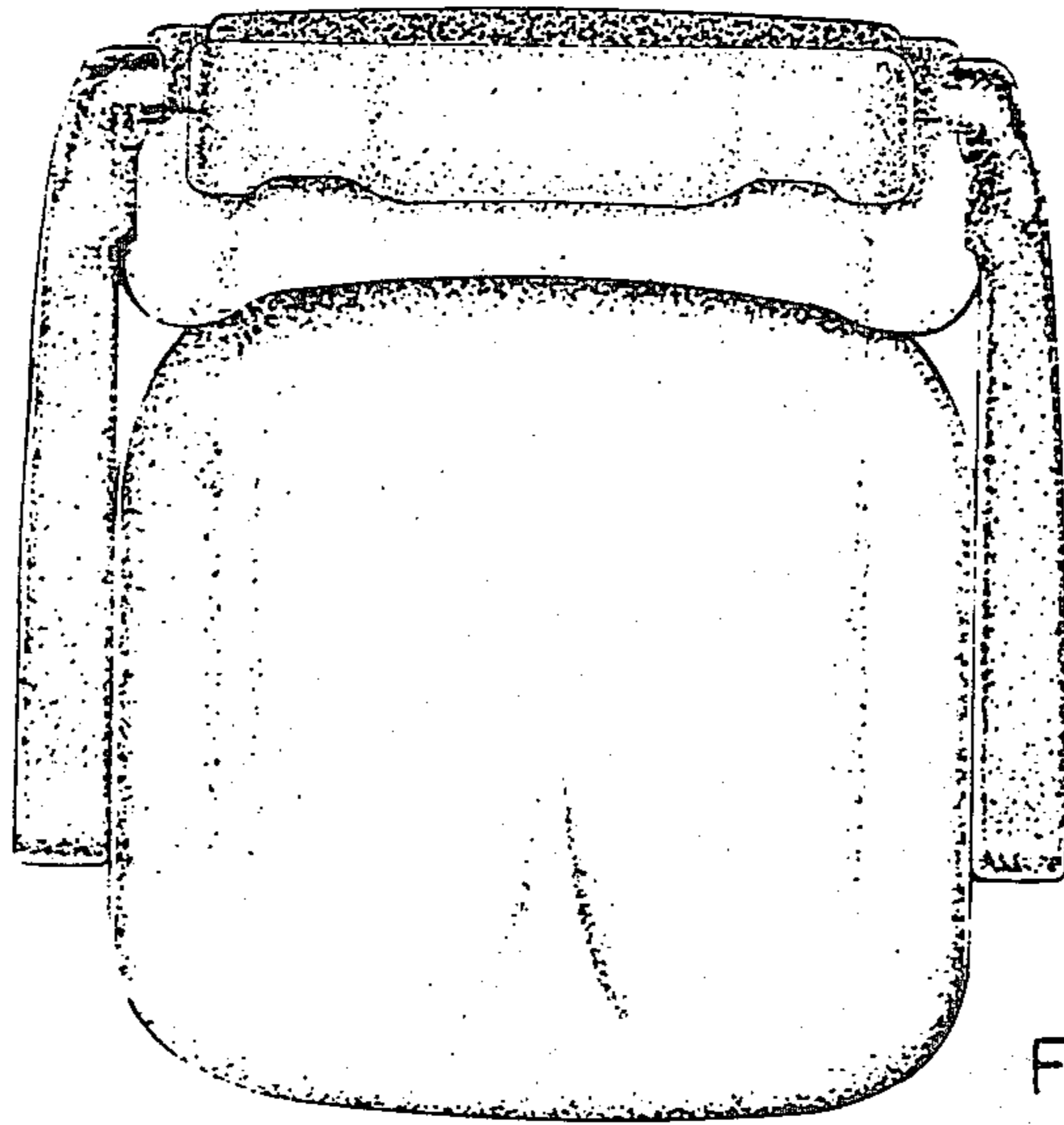


FIG. 8

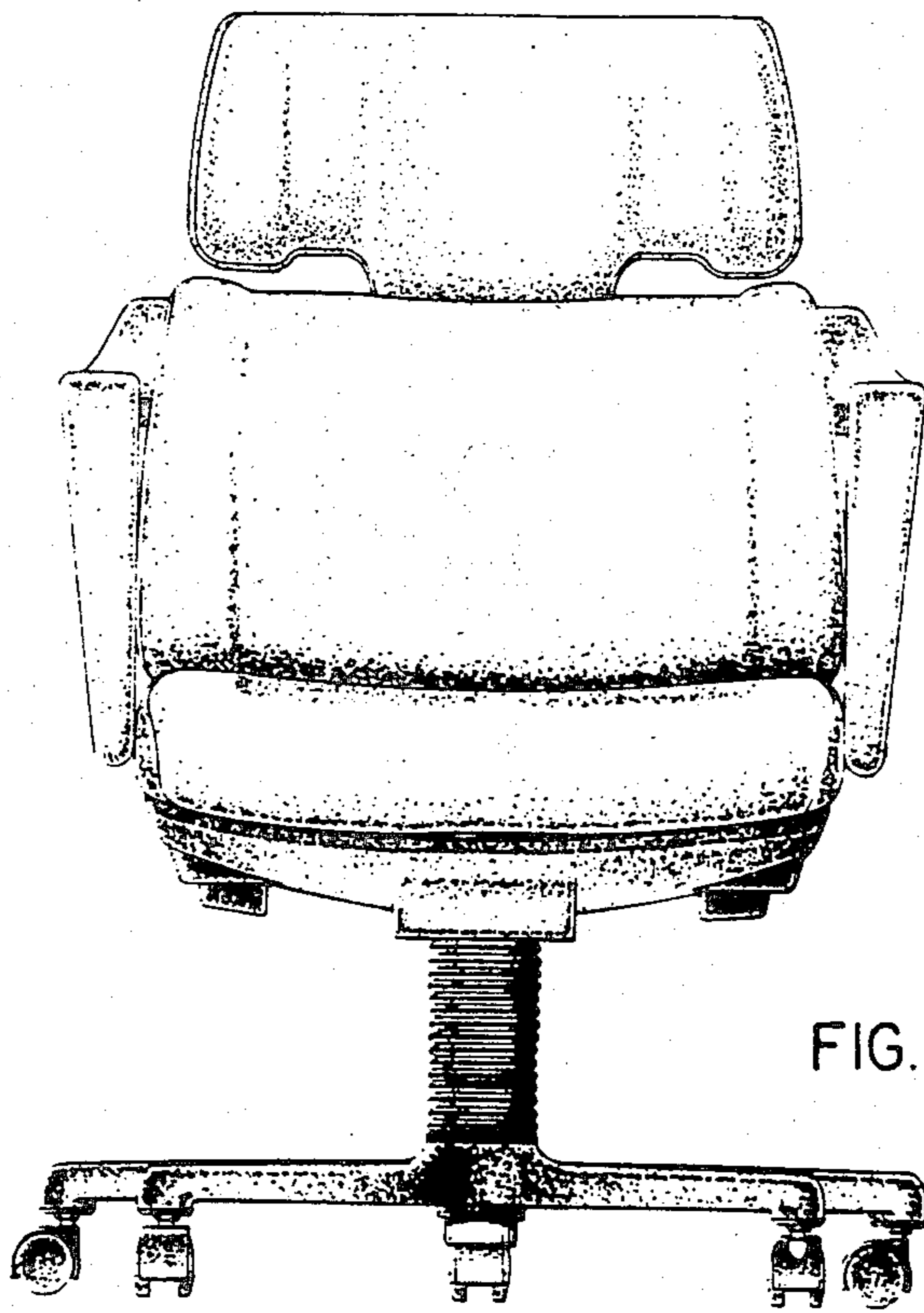


FIG. 7

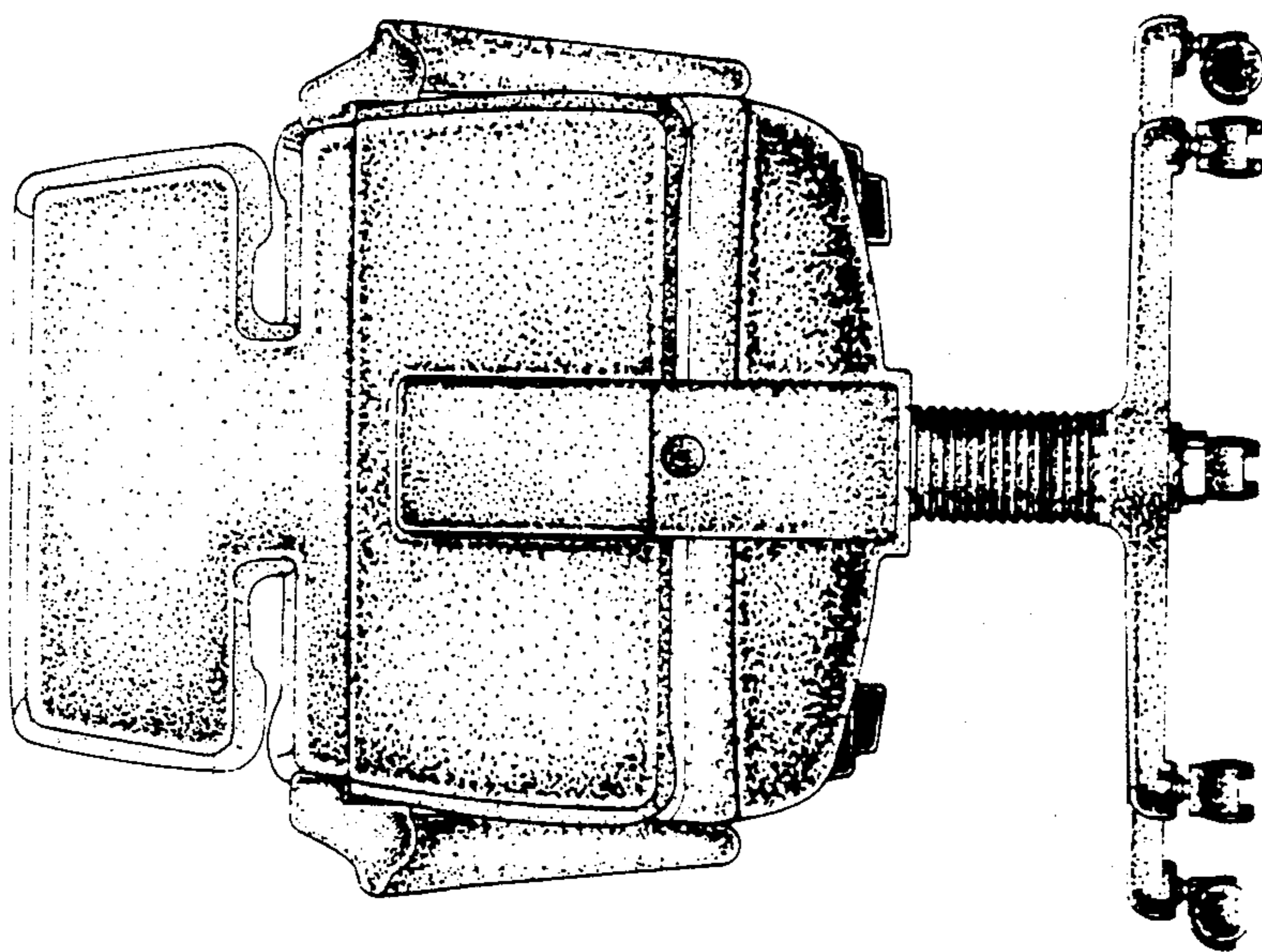


FIG. 10

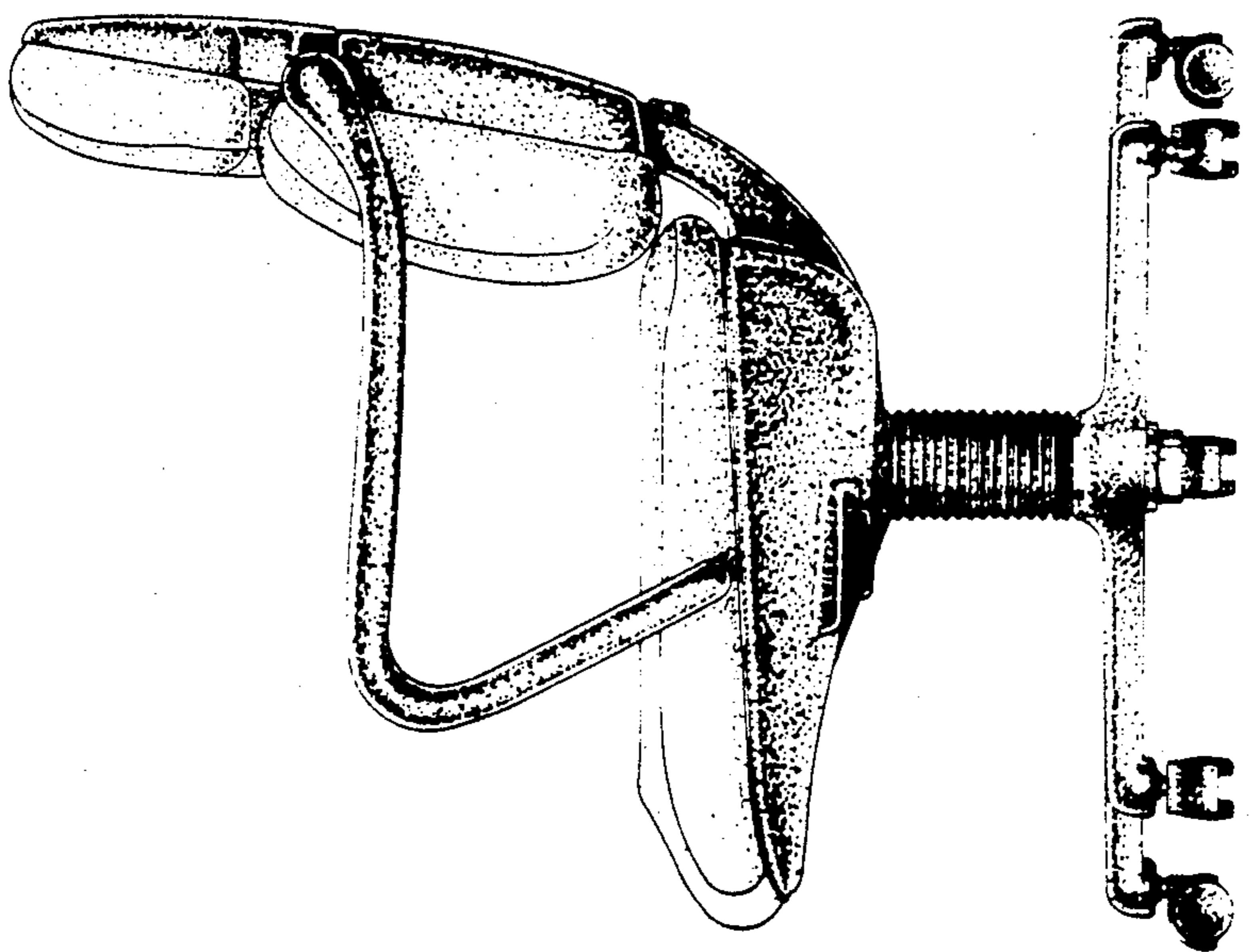


FIG. 9

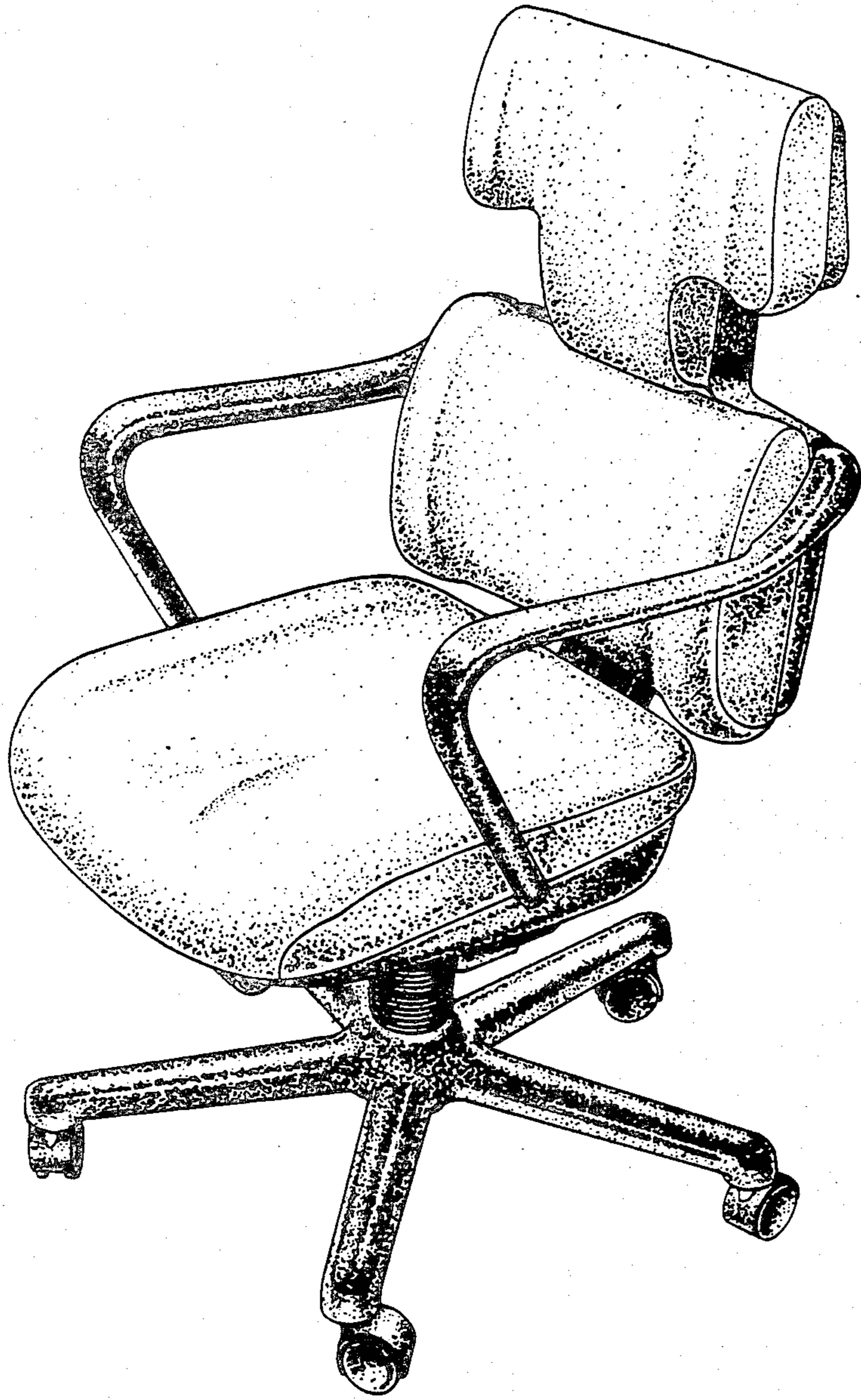


FIG. II

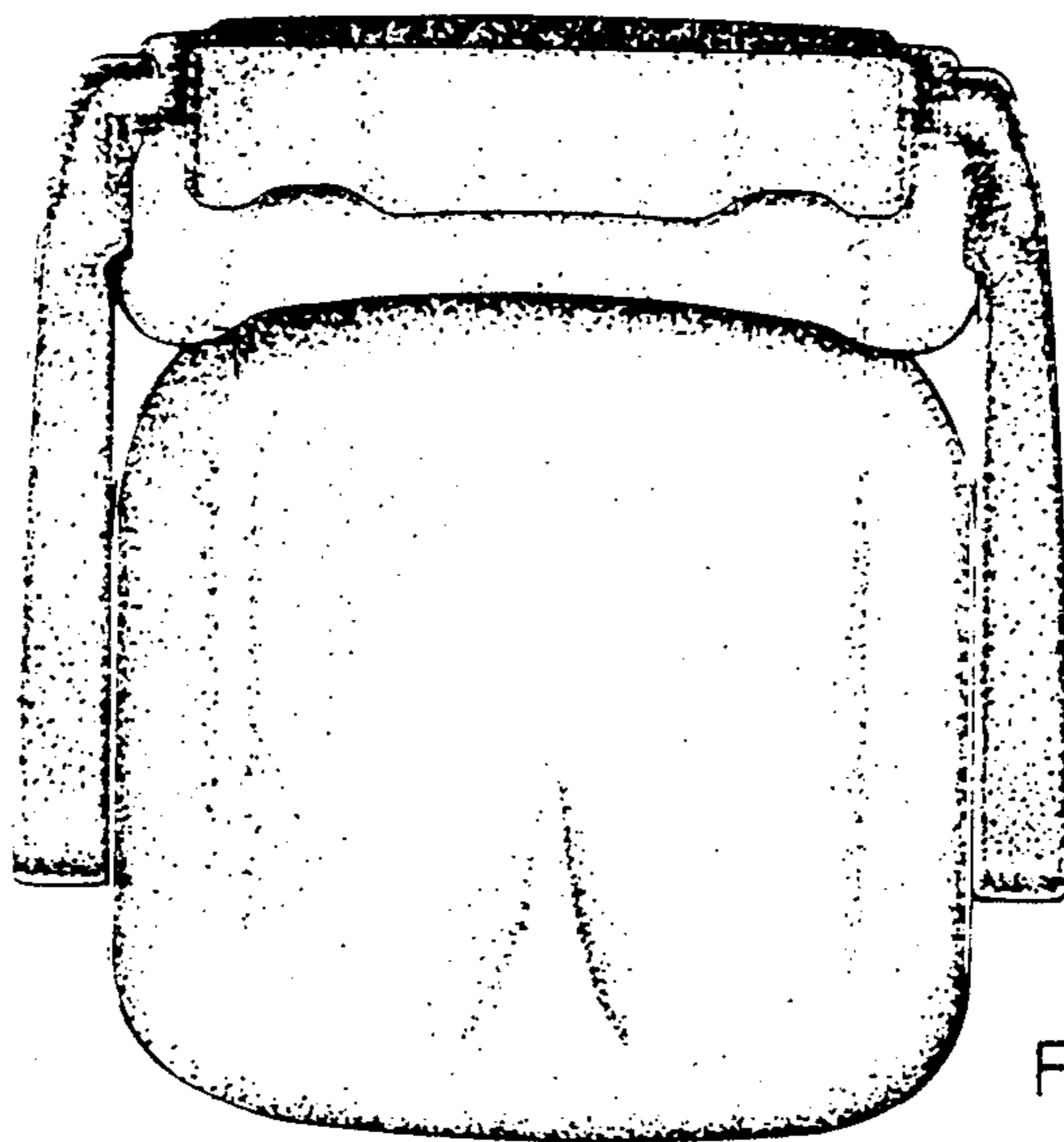


FIG. 13

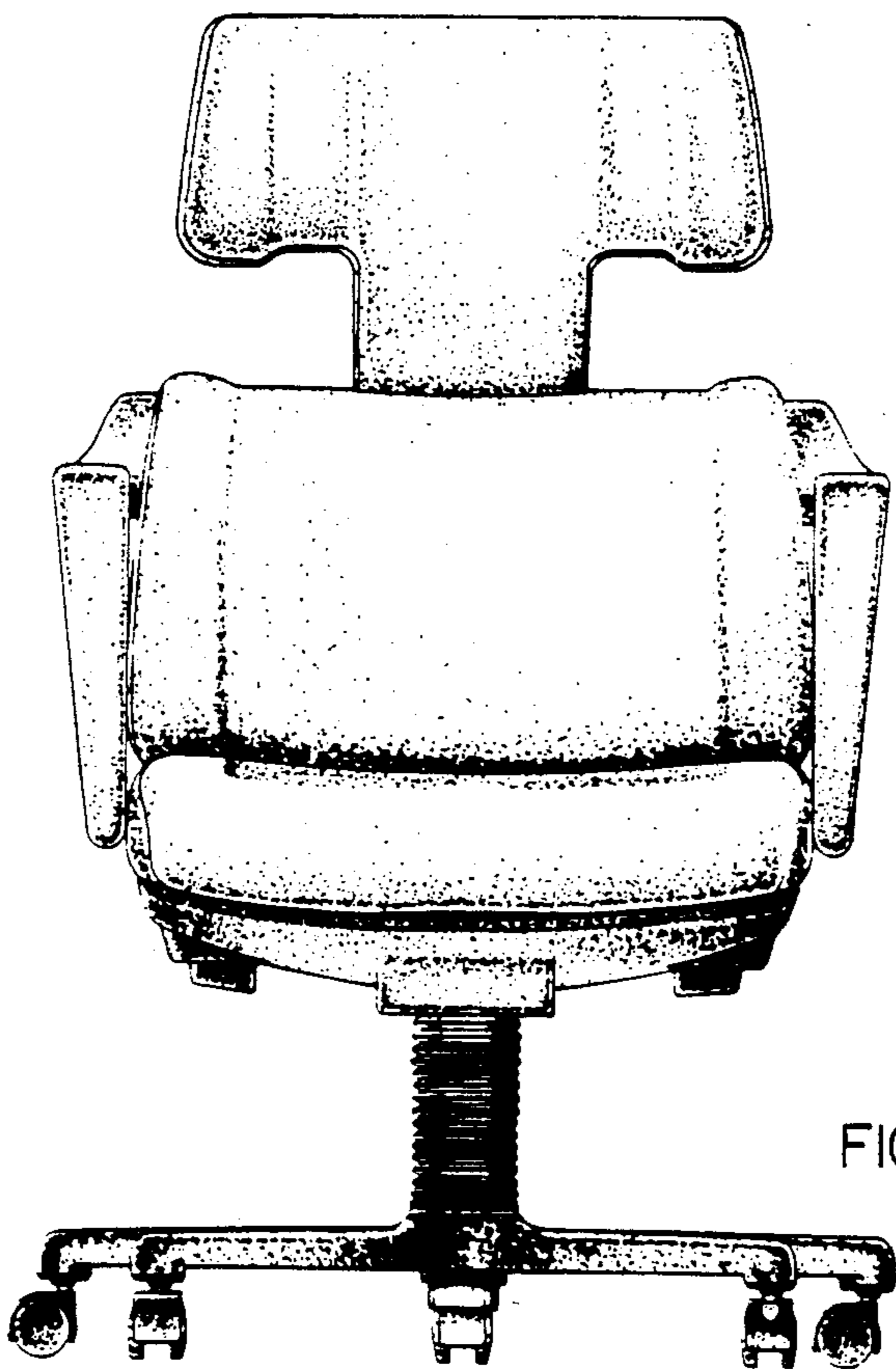


FIG. 12

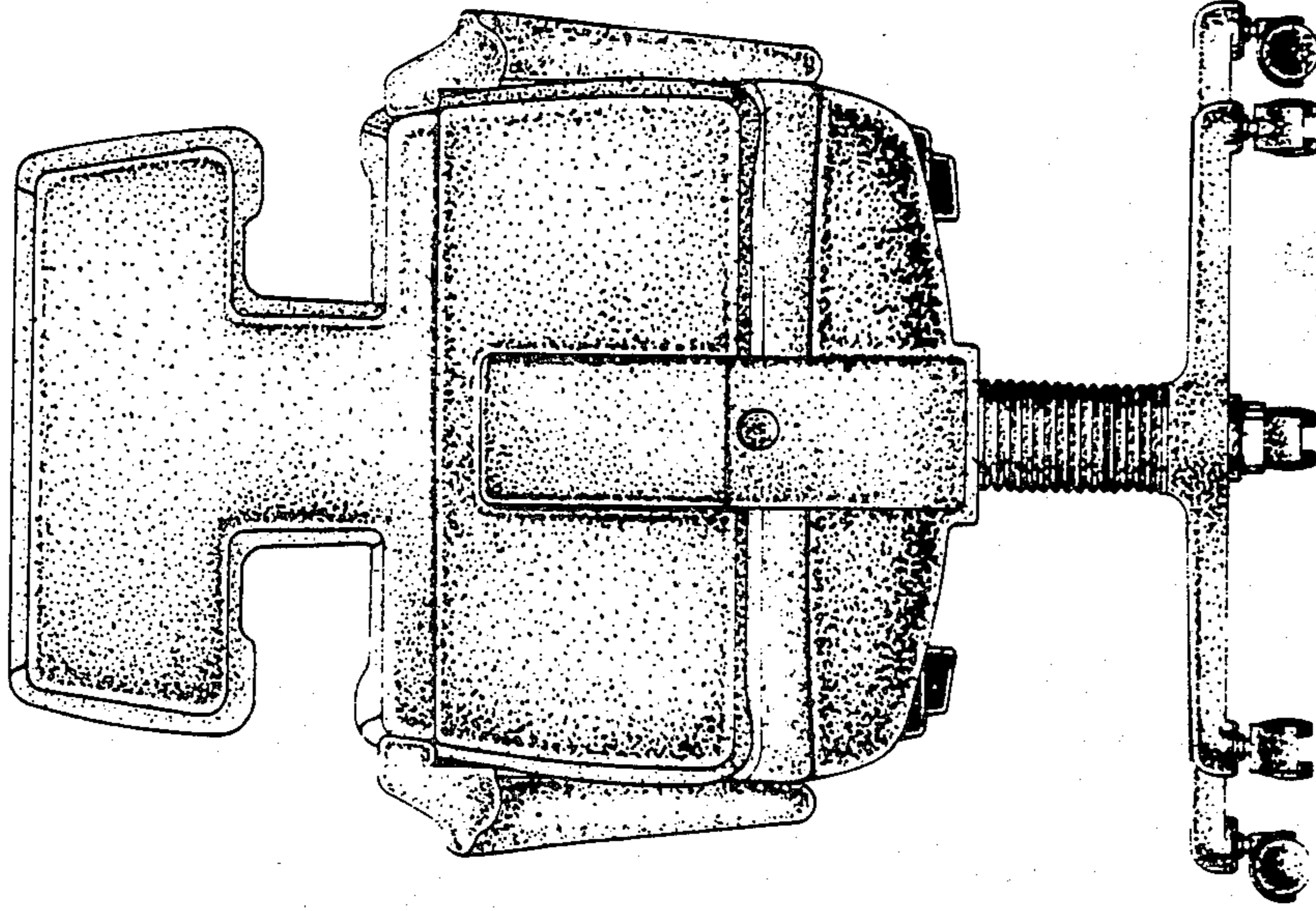


FIG. 15

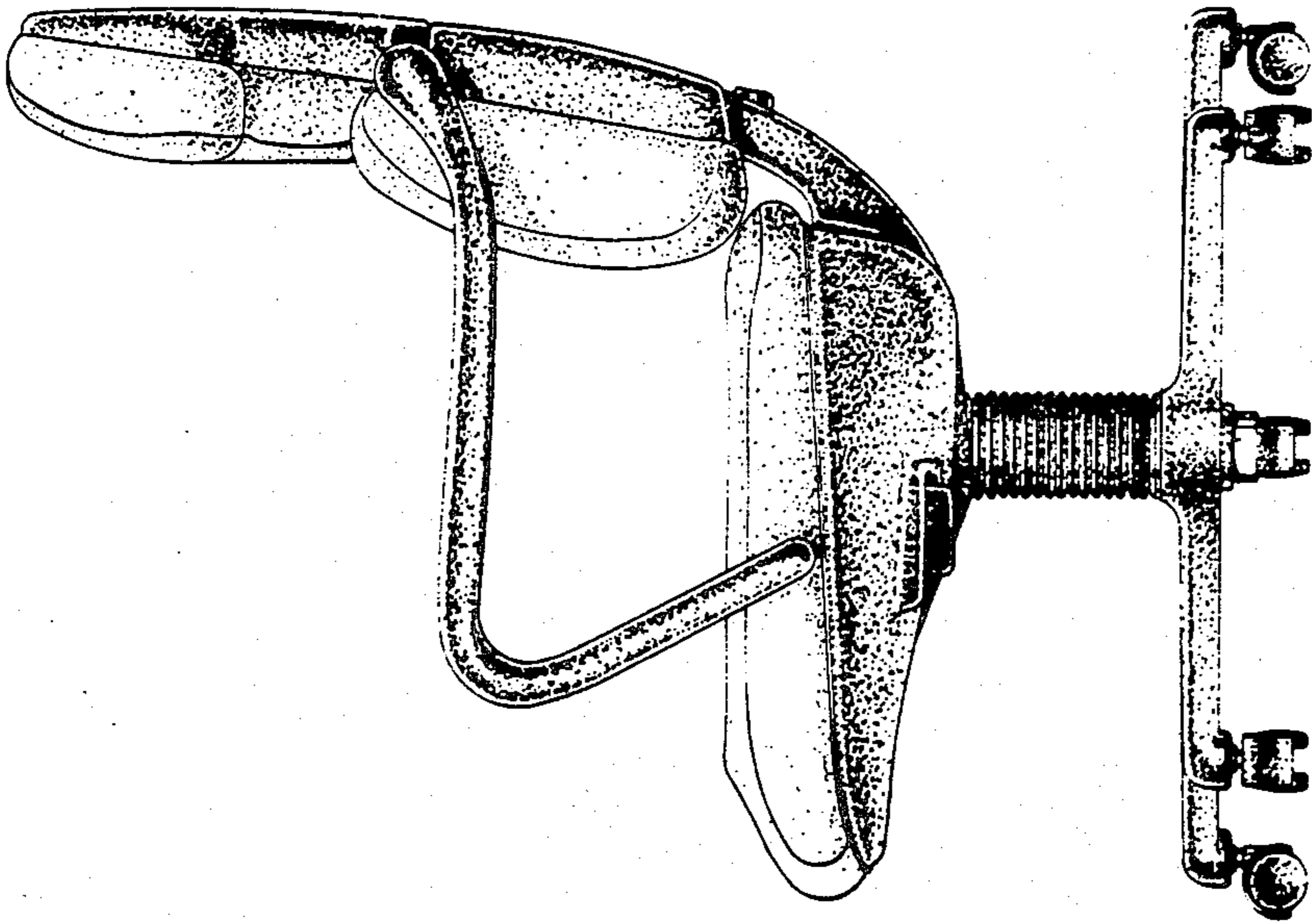


FIG. 14