

United States Patent [19]

Stolarz

[11] Patent Number: **Des. 290,190**

[45] Date of Patent: **** Jun. 9, 1987**

[54] **LUGGAGE HANGER**

[75] Inventor: **Edward M. Stolarz**, Yorktown Heights, N.Y.

[73] Assignee: **Homa Locks, Inc.**, Danbury, Conn.

[**] Term: **14 Years**

[21] Appl. No.: **668,475**

[22] Filed: **Nov. 5, 1984**

[52] U.S. Cl. **D6/319; D6/326**

[58] Field of Search **D6/315-319, D6/326-328, 513; 211/113, 118, 119; 248/317; 223/85-96, 98**

[56] **References Cited**

U.S. PATENT DOCUMENTS

D. 168,378	12/1952	Saviolidis	D6/319
D. 210,259	2/1968	Holtzman	D6/319
2,489,492	11/1949	Kleber	D6/317

3,451,601	6/1969	Pelavin et al.	223/85
3,726,452	4/1973	Jaffe	223/91
3,870,206	3/1975	Feinberg	D6/319

Primary Examiner—B. J. Bullock
Attorney, Agent, or Firm—Bauer & Amer

[57] **CLAIM**

The ornamental design for a luggage hanger, as shown and described.

DESCRIPTION

FIG. 1 is a front elevational view of a luggage hanger showing my new design;
FIG. 2 is a top plan view thereof;
FIG. 3 is a left side elevational view thereof;
FIG. 4 is a right side elevational view thereof;
FIG. 5 is a rear elevational view thereof;
FIG. 6 is a bottom plan view thereof; and
FIG. 7 is a sectional view taken in the direction of the arrows on line 7—7 of FIG. 1.

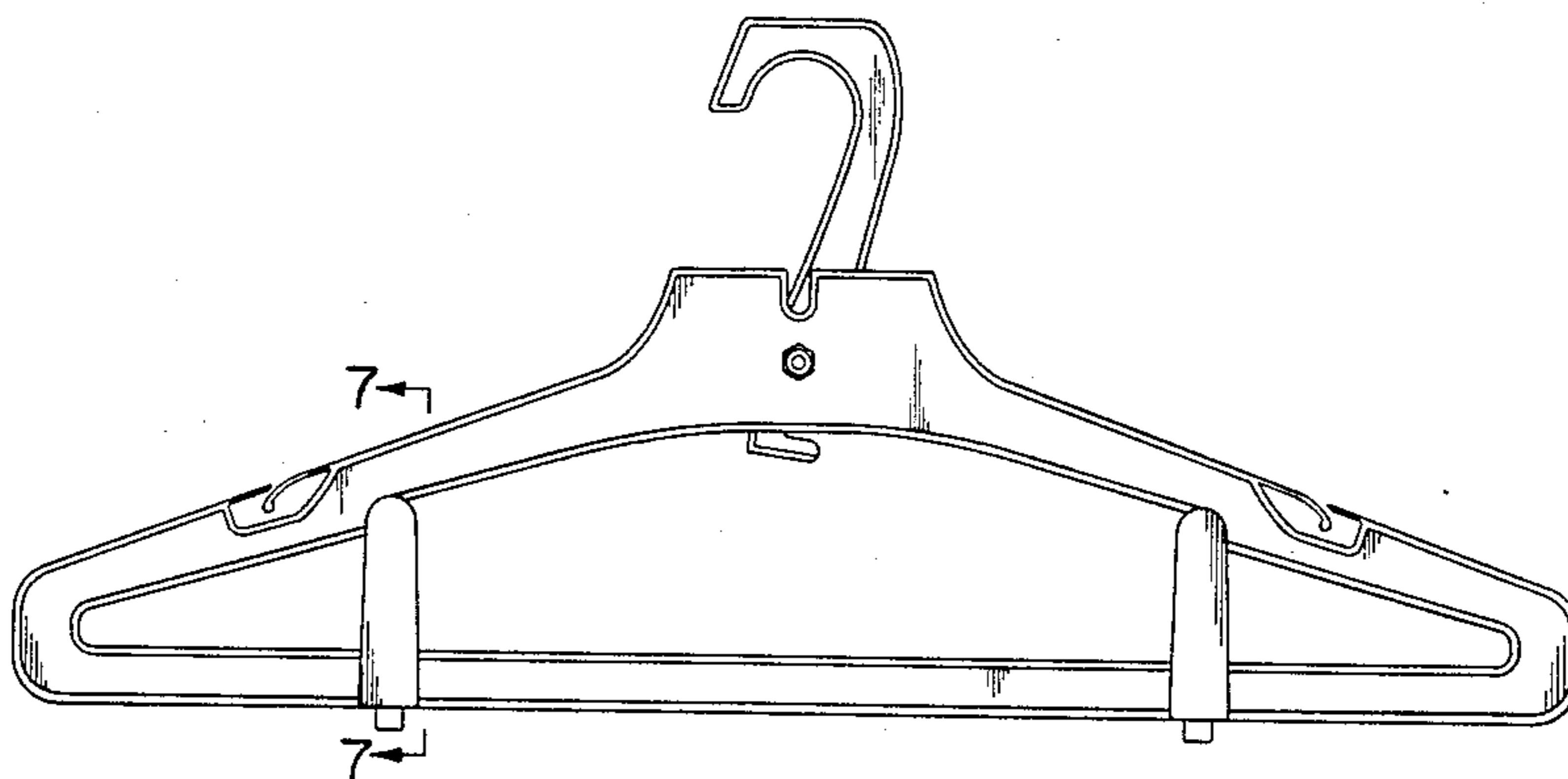




FIG. 2

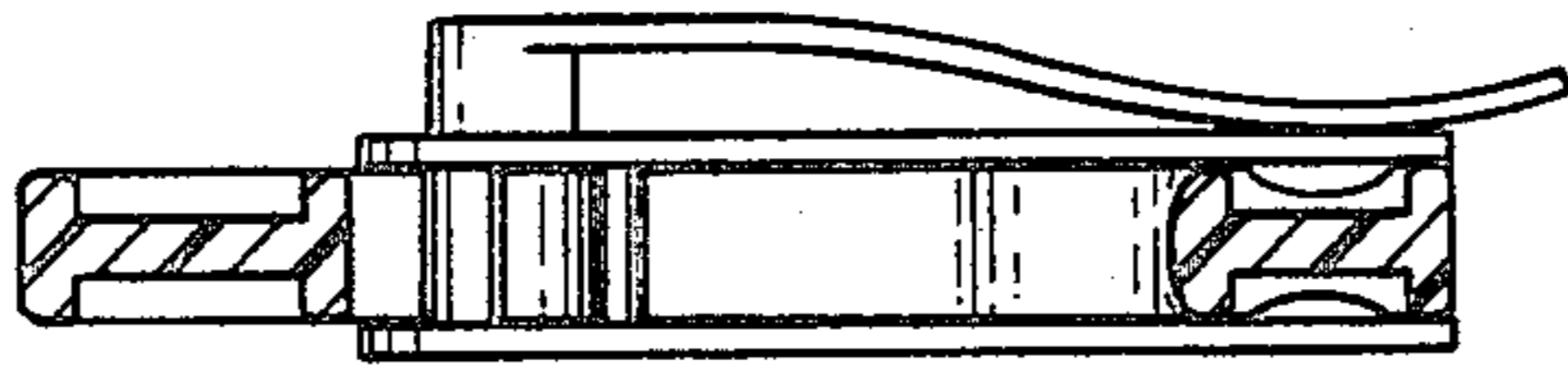


FIG. 7

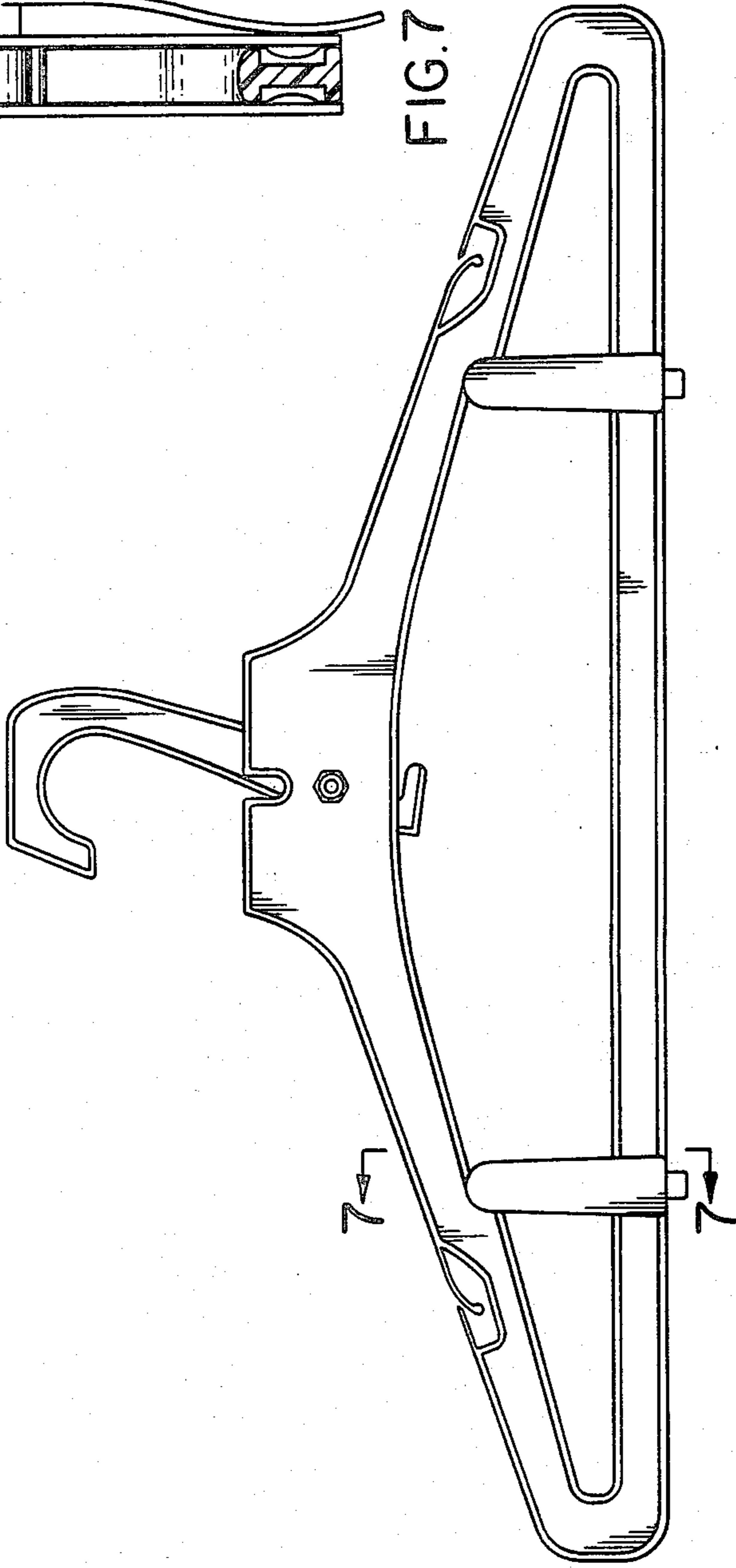


FIG. 1

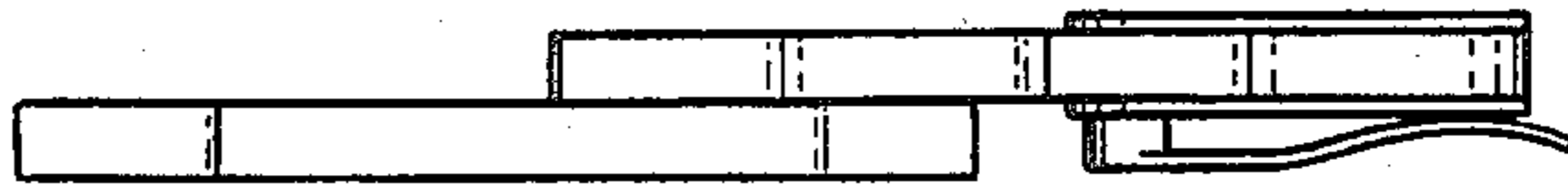


FIG. 3



FIG. 4

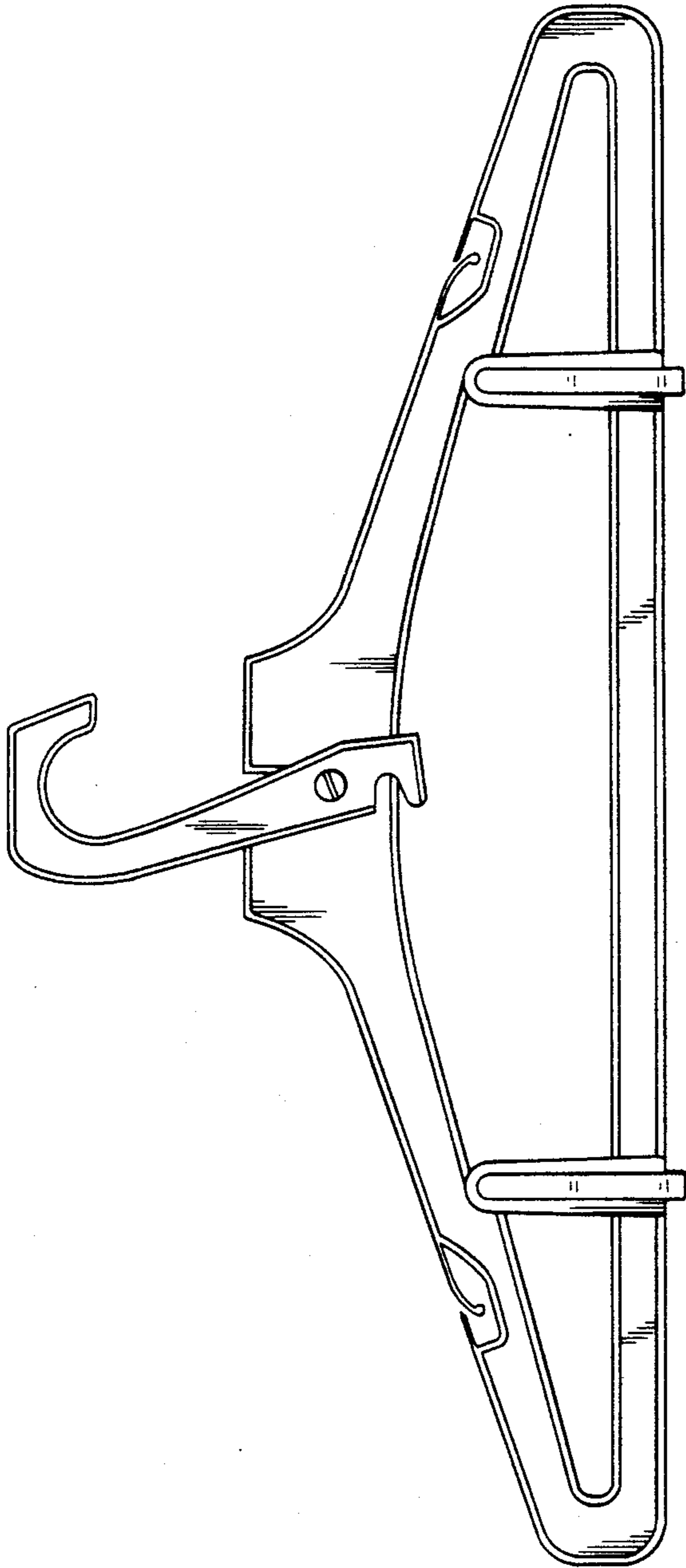


FIG. 5



FIG. 6