

[54] **COVERING FOR MAGNETIC TAPE CASSETTE**

[75] **Inventor: Hidetoshi Watanabe, Maoka, Japan**

[73] **Assignee: Columbia Magne Products Co., Ltd., Japan**

[**] **Term: 14 Years**

[21] **Appl. No.: 662,936**

[22] **Filed: Oct. 19, 1984**

[30] **Foreign Application Priority Data**

Apr. 20, 1984 [JP] Japan 59-16380
[52] **U.S. Cl.** **D3/35; D14/11**
[58] **Field of Search** **D3/30.1, 35; D14/11; 206/387**

[56] **References Cited**

U.S. PATENT DOCUMENTS

D. 224,177 7/1972 Wallace D3/35
D. 236,238 8/1975 Larsson D3/35
D. 247,135 1/1978 Woodhall D3/35
D. 252,835 9/1979 Meille D3/35
3,495,716 2/1970 Gregory D3/35 X
4,304,331 12/1981 Minkow 206/387

Primary Examiner—Louis S. Zarfes

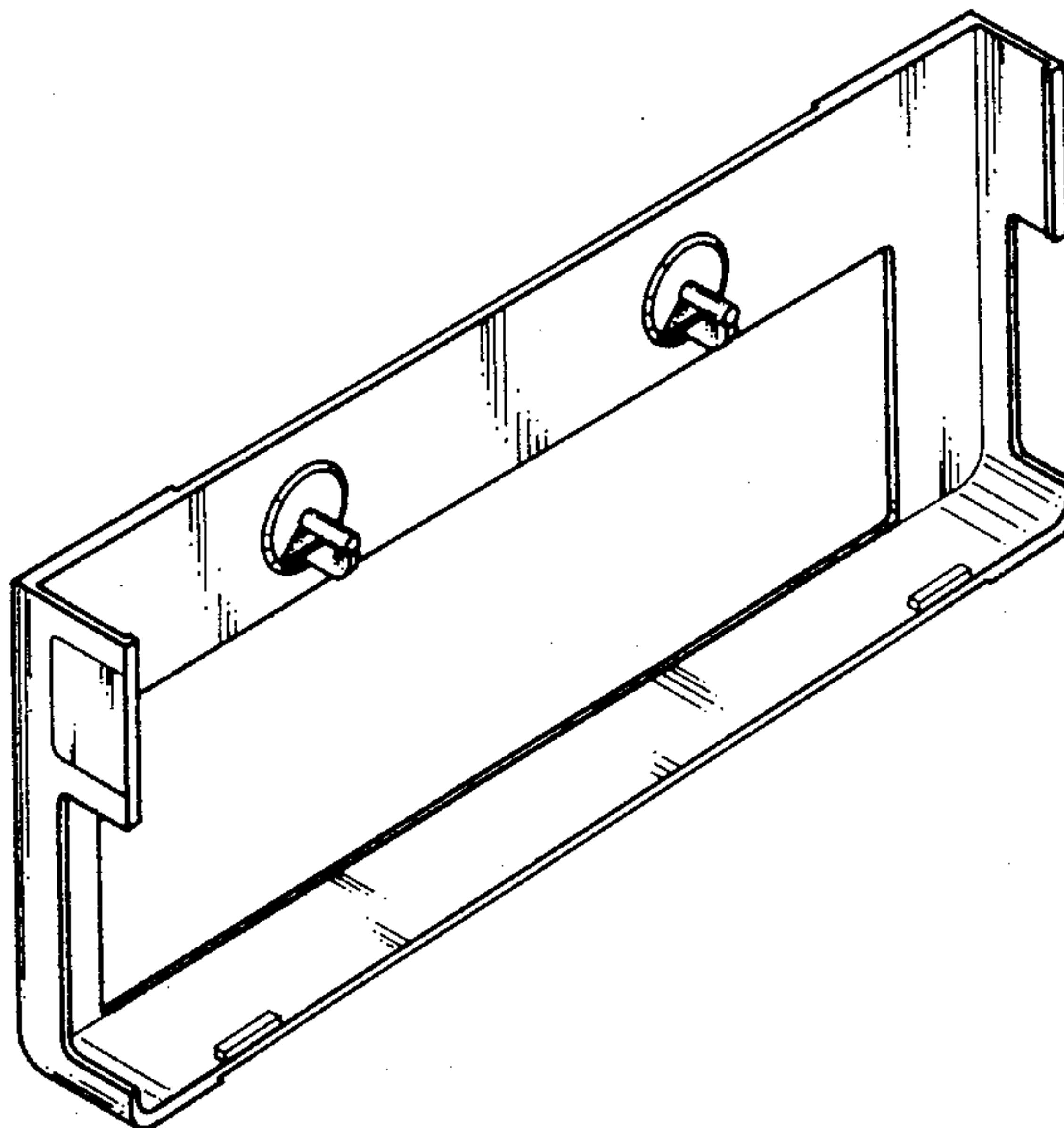
[57] **CLAIM**

The ornamental design of a covering for magnetic tape cassette, substantially as shown and described.

DESCRIPTION

FIG. 1 is a rear perspective view of a covering for magnetic tape cassette showing my new design; FIG. 2 is a front perspective view thereof; and FIG. 3 is a rear perspective view thereof attached to a cassette.

The broken line showing of a magnetic tape cassette in FIG. 3 is for illustrative purposes only and forms no part of the claimed design.



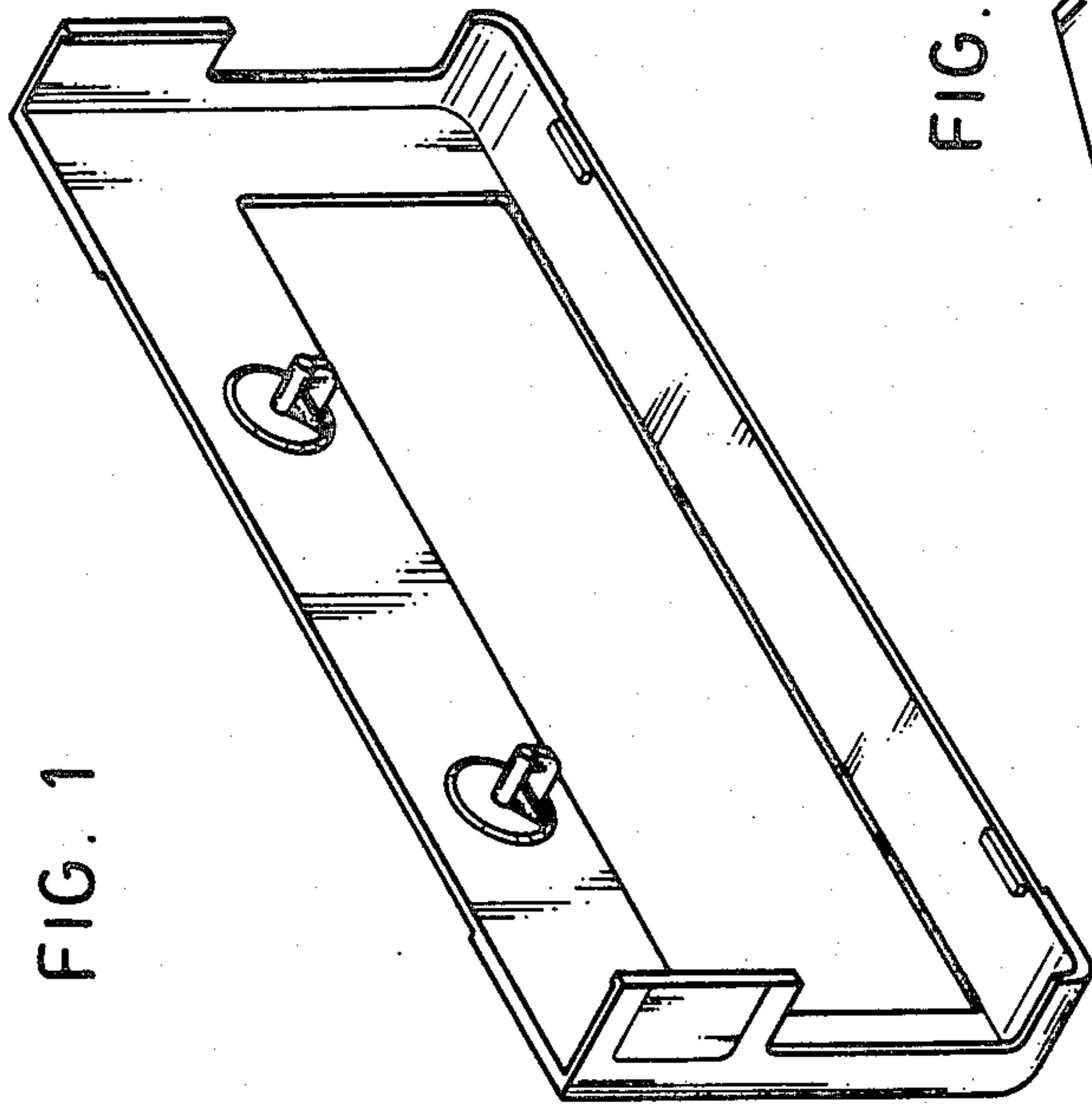


FIG. 1

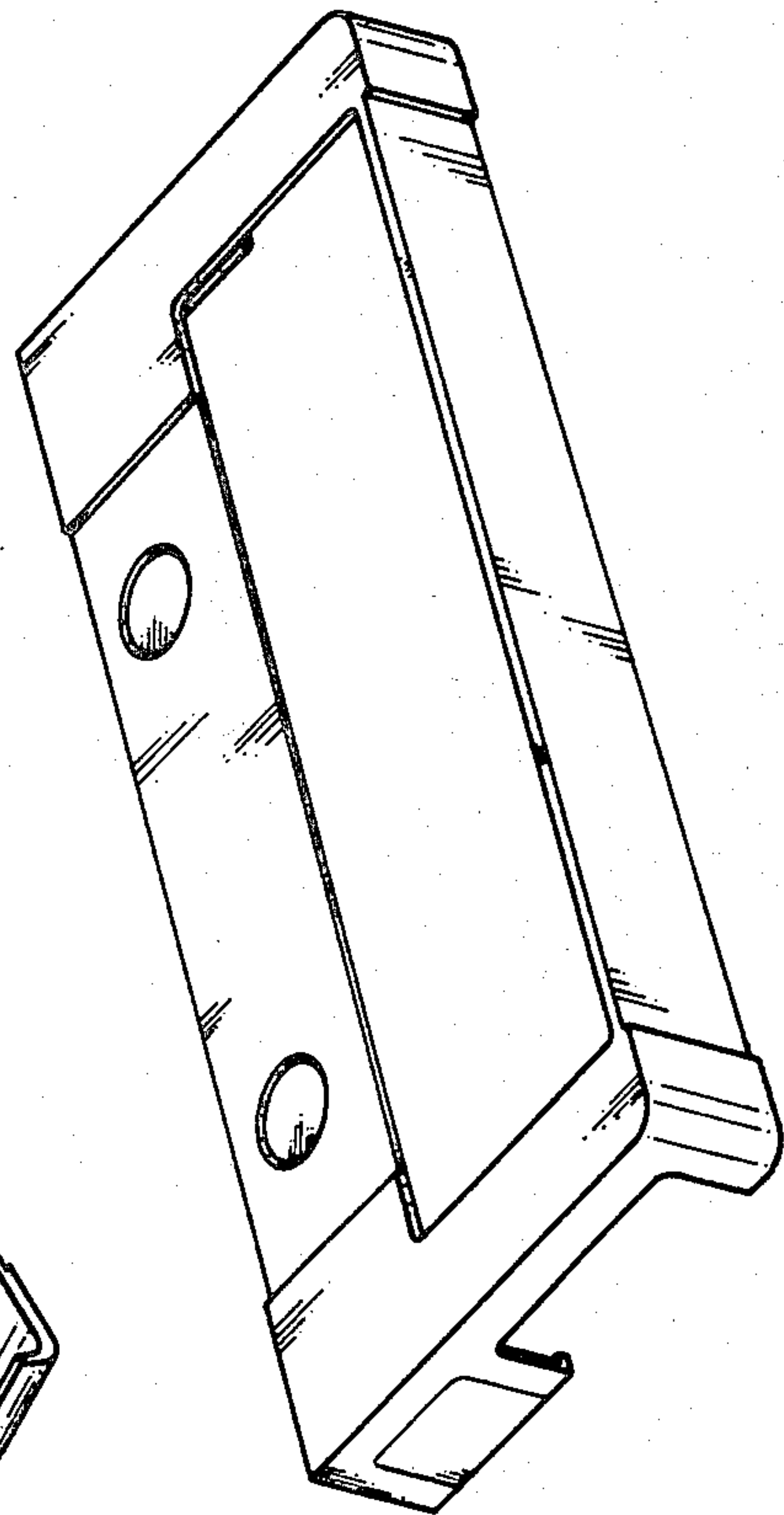


FIG. 2

FIG. 3

