

**United States Patent** [19]  
**Peltola**

[11] **Patent Number: Des. 290,179**  
[45] **Date of Patent: \*\* Jun. 2, 1987**

[54] **BASKET**

[75] **Inventor: Markku Peltola, Helsinki, Finland**

[73] **Assignee: OY MK-Tuote AB, Helsinki, Finland**

[\*\*] **Term: 14 Years**

[21] **Appl. No.: 657,018**

[22] **Filed: Oct. 2, 1984**

[30] **Foreign Application Priority Data**

Apr. 6, 1984 [FI] Finland ..... 84372

[52] **U.S. Cl. .... D34/44**

[58] **Field of Search ..... D9/456, 425, 431, 432,  
D9/418; D34/40, 43, 44; 150/48, 51, 50;  
217/122, 125, 206/203; 220/91**

[56] **Reference: Cited**

**U.S. PATENT DOCUMENTS**

D. 242,660 12/1976 Astle ..... D34/40

D. 268,622 4/1983 Wolters et al. .... D34/40  
D. 276,281 11/1984 Landgren ..... D34/44  
D. 277,993 3/1985 Sinchok ..... D34/44  
D. 283,457 4/1986 Smith ..... D34/43

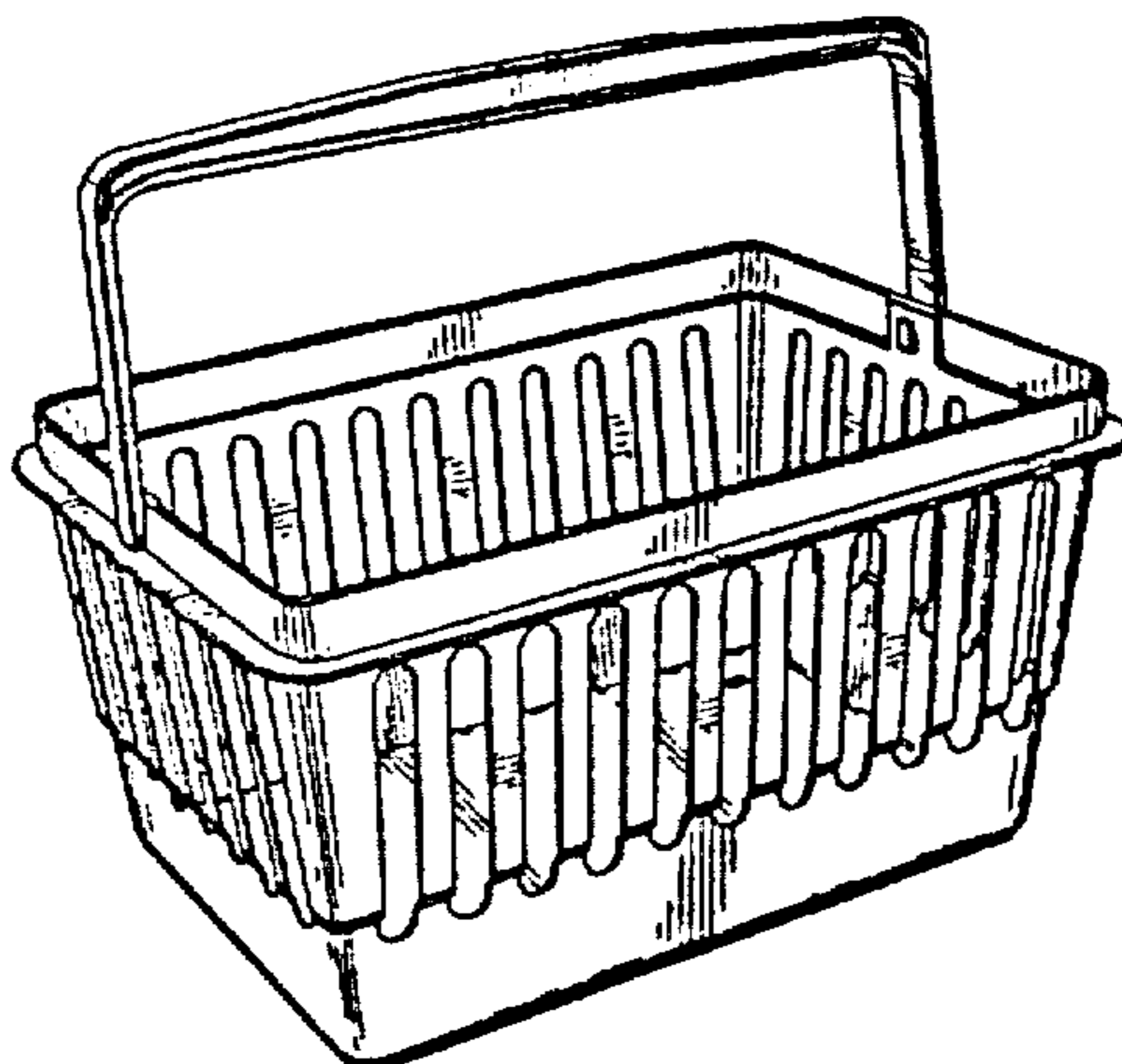
*Primary Examiner*—Robert C. Spangler  
*Attorney, Agent, or Firm*—Fleit, Jacobson, Cohn & Price

[57] **CLAIM**

The ornamental design for a basket, as shown and described.

**DESCRIPTION**

FIG. 1 is a perspective view of a basket showing my new design;  
FIG. 2 is a perspective view with the handle in a lowered position;  
FIG. 3 is a bottom perspective view thereof;  
FIG. 4 is a side elevational view thereof;  
FIG. 5 is an end elevational view thereof;  
FIG. 6 is a top plan view thereof; and  
FIG. 7 is a bottom plan view thereof.



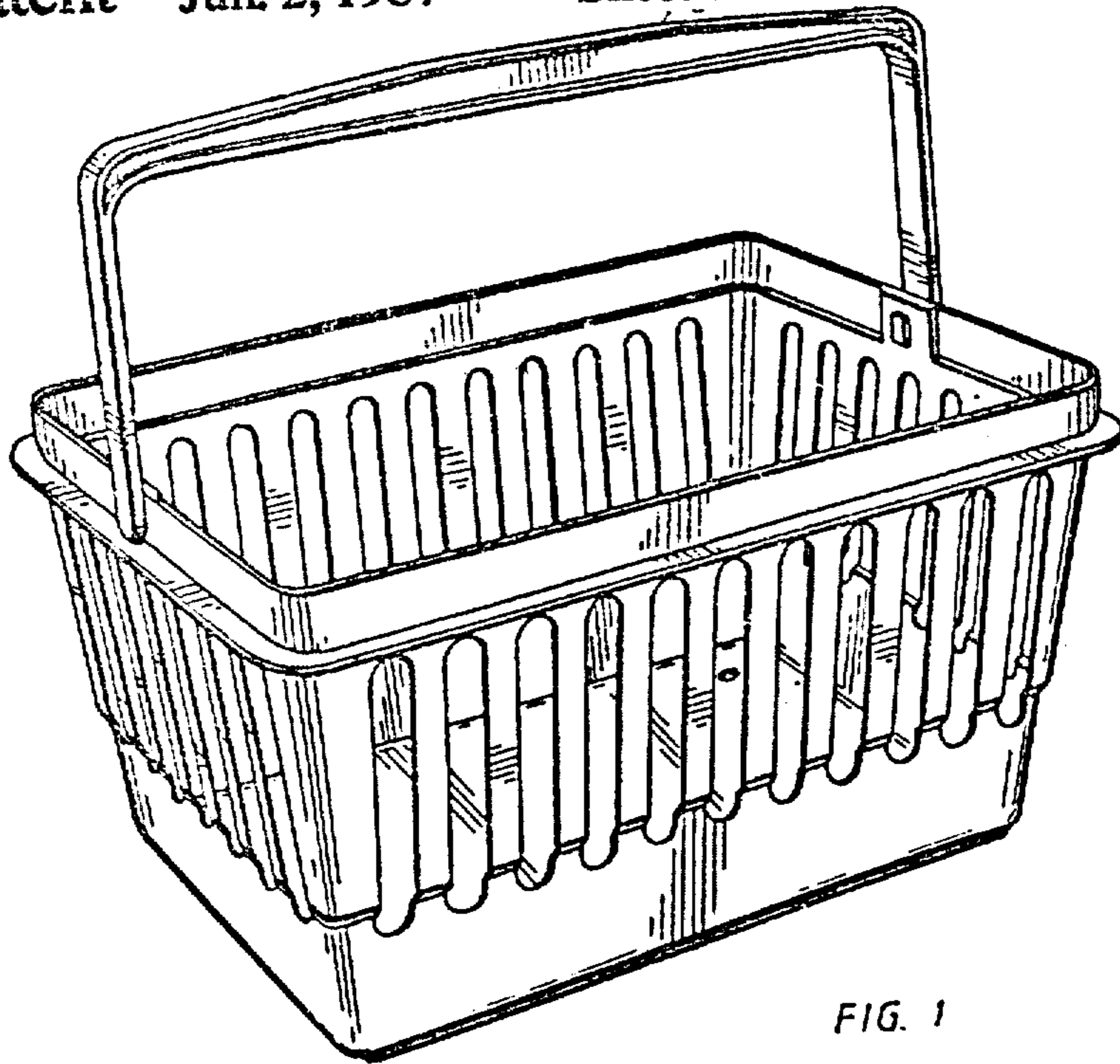


FIG. 1

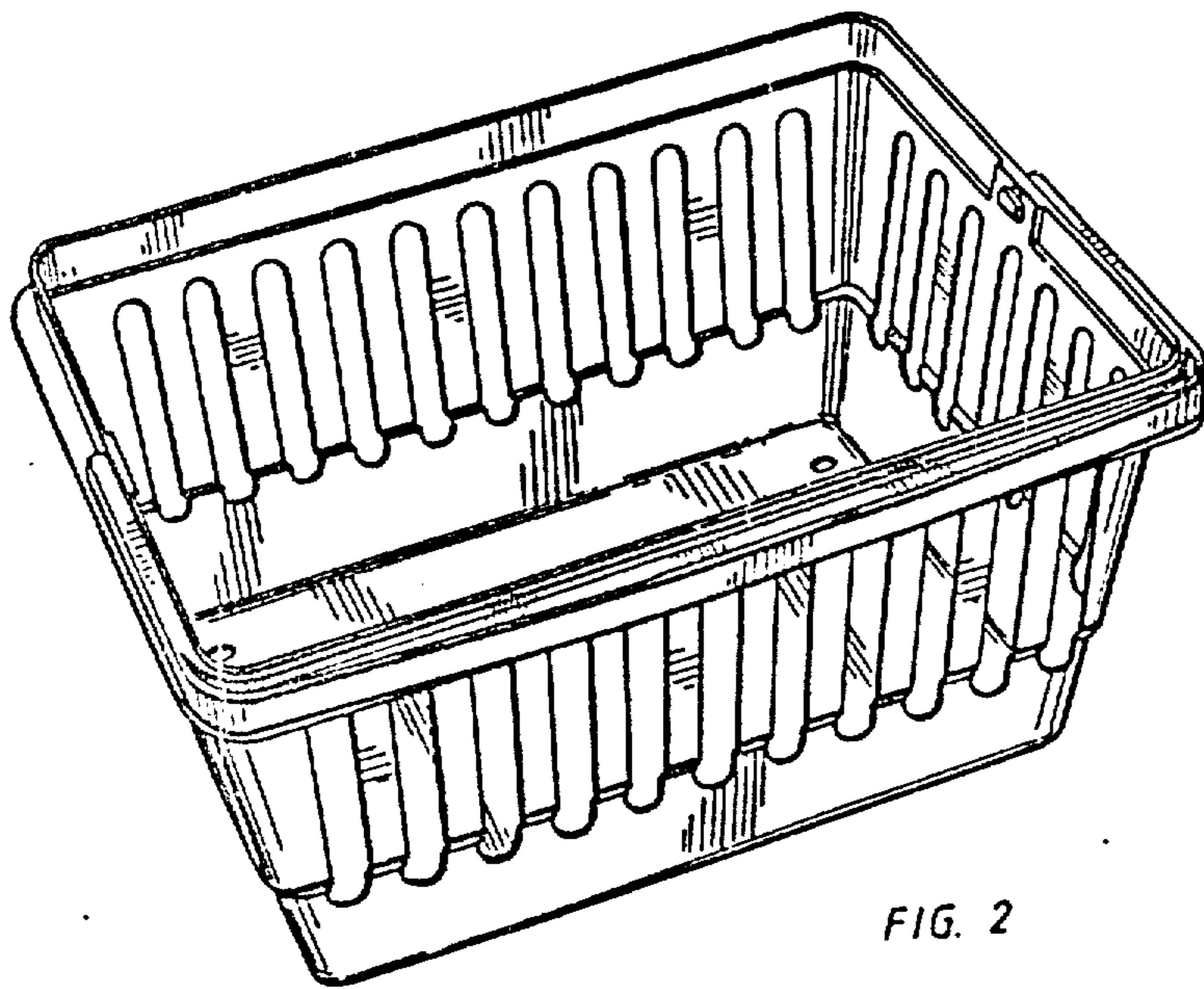


FIG. 2

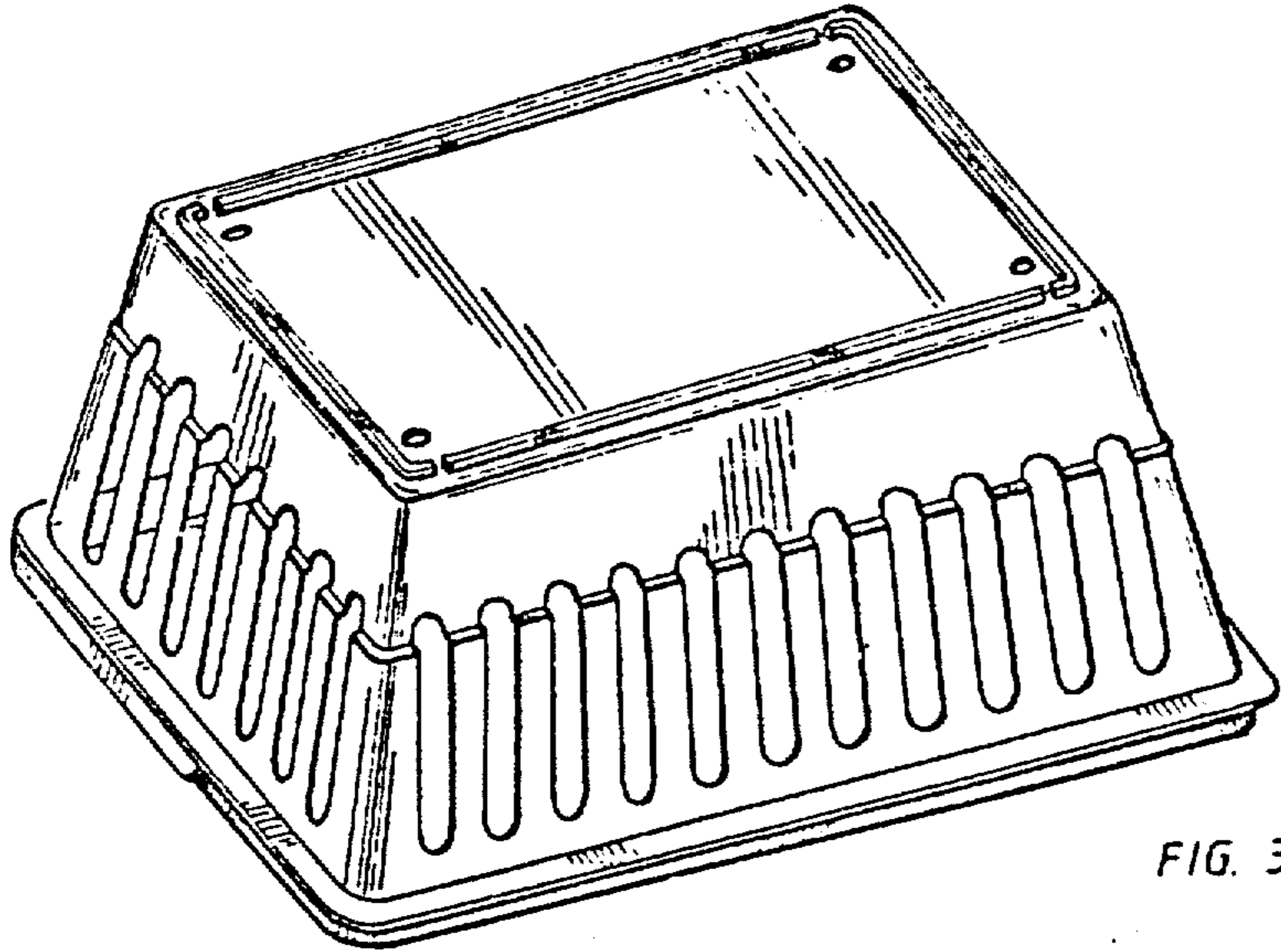


FIG. 3

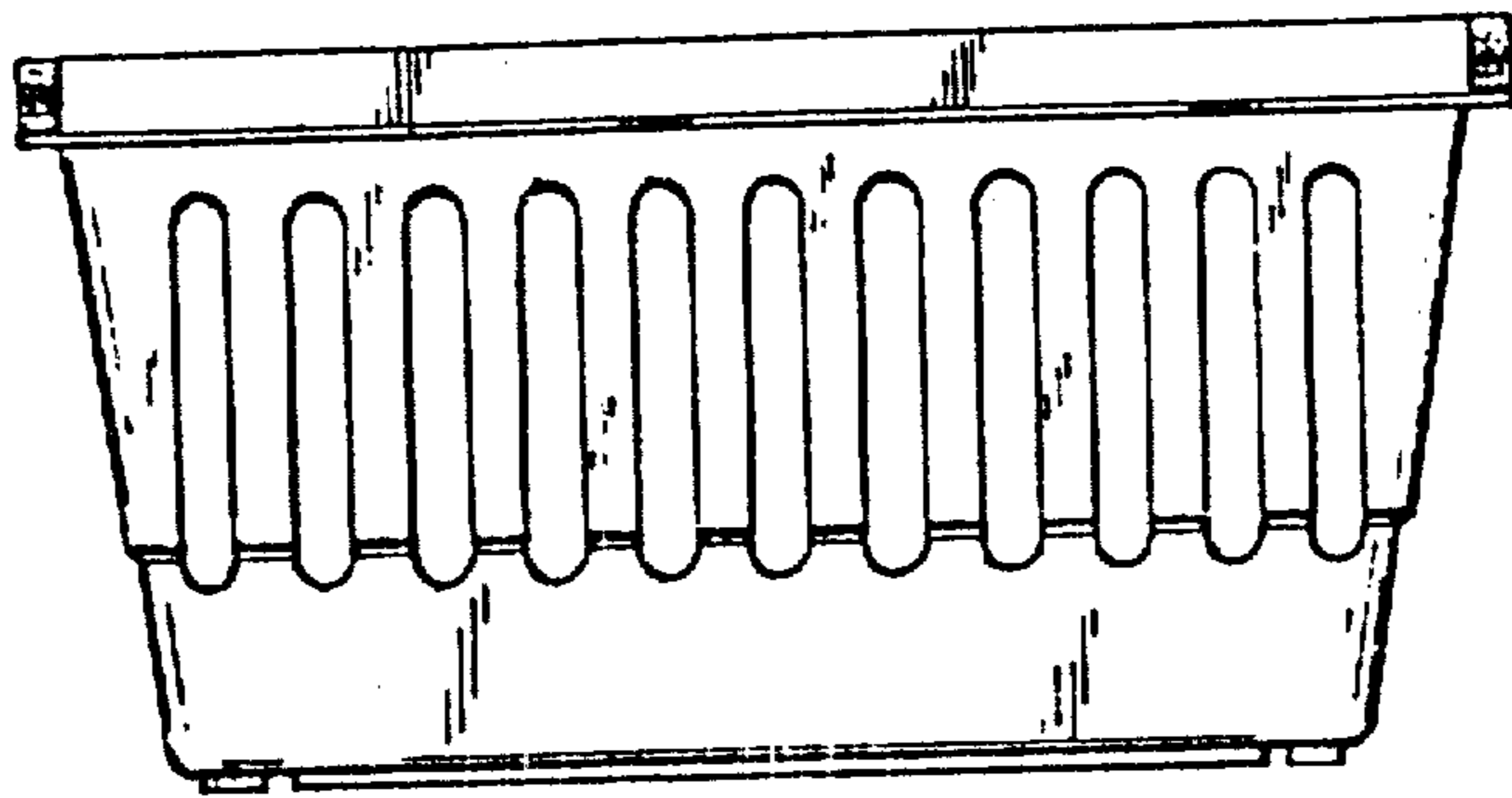


FIG. 4

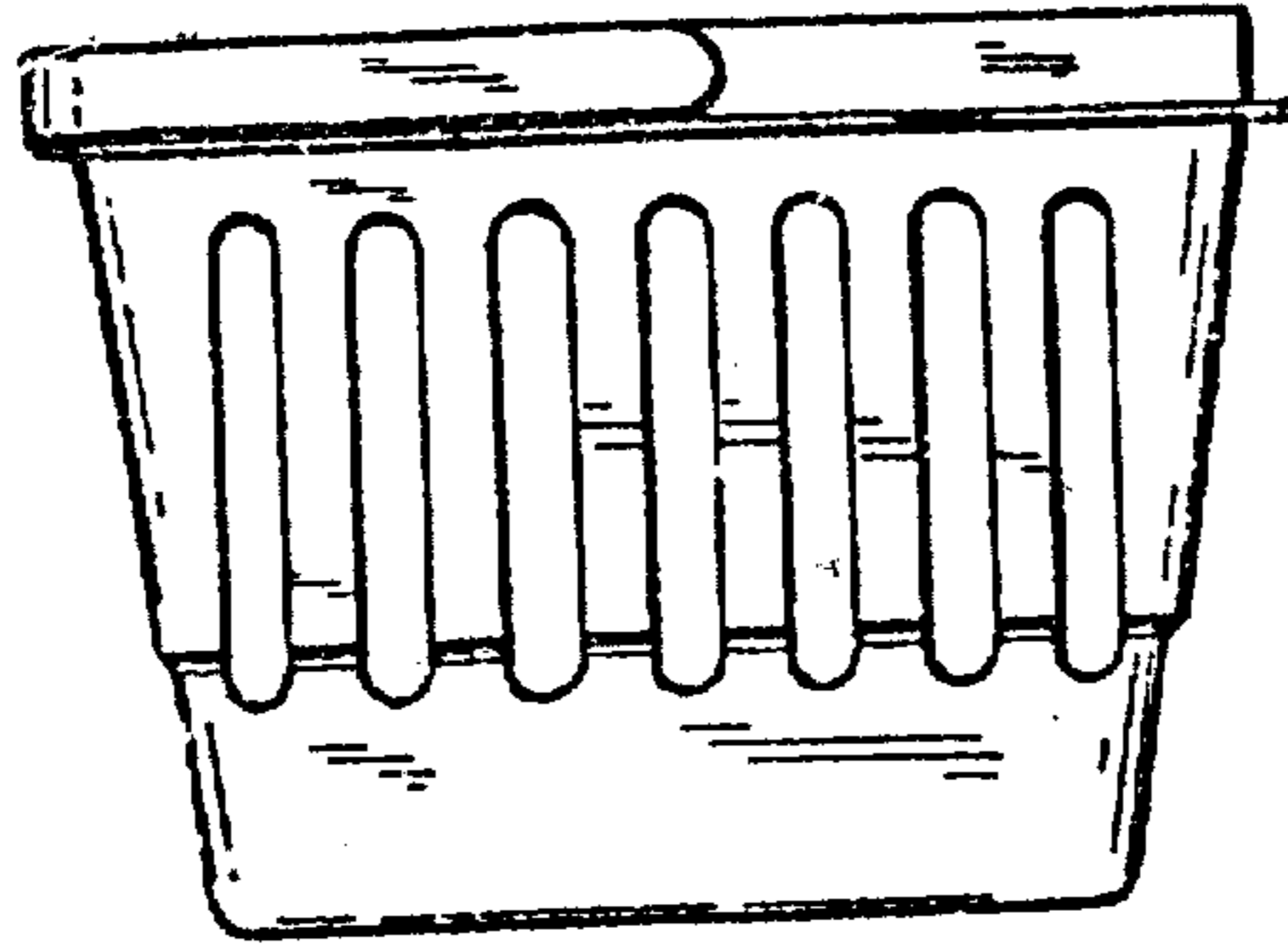


FIG. 5

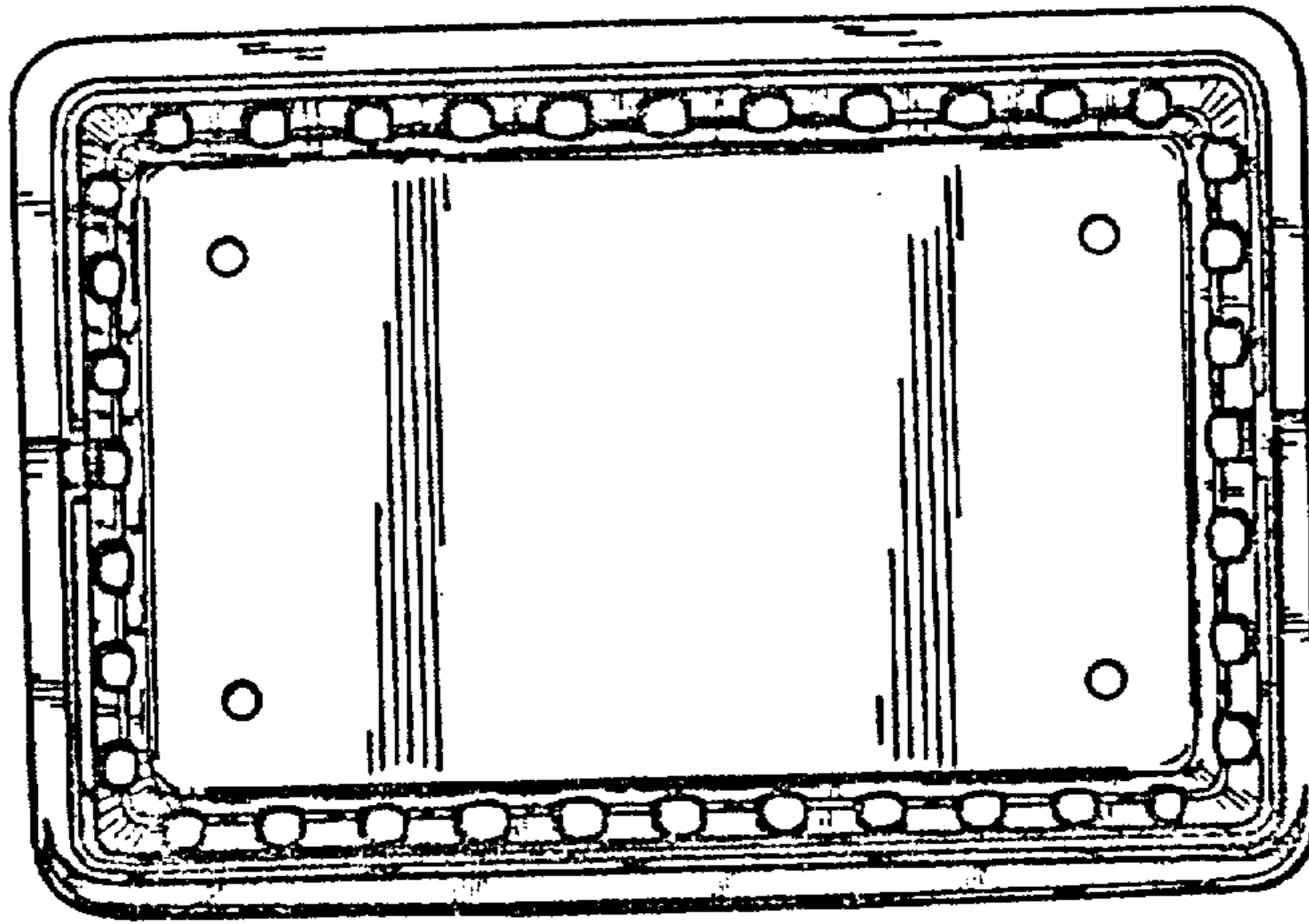


FIG. 6

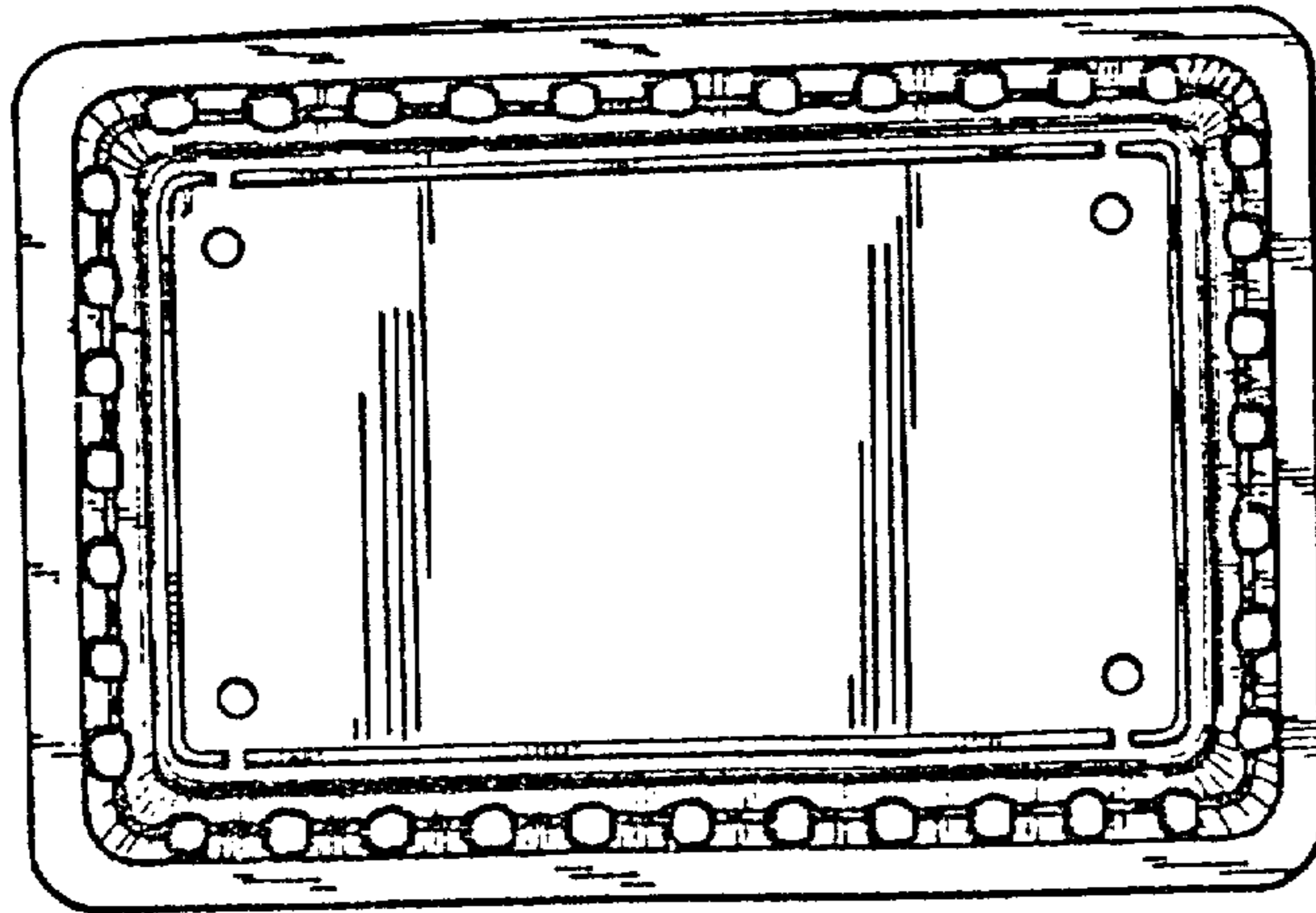


FIG. 7