

[54] **DEFIBRILLATOR**

4,097,113 6/1978 McKelvy 128/419 D

[75] **Inventors: Paul W. Jones, Issaquah; Rodney J. Merry, Bothell, both of Wash.**

[73] **Assignee: Physio-Control Corporation, Redmond, Wash.**

[**] **Term: 14 Years**

[21] **Appl. No.: 689,748**

[22] **Filed: Jan. 8, 1985**

[52] **U.S. Cl. D24/17**

[58] **Field of Search D24/17, 8, 29; 128/419 D, 419 S, 419 R, 696, 705, 710; D10/46, 40**

[56] **References Cited**

U.S. PATENT DOCUMENTS

D. 229,638	12/1973	Kawaguchi	D24/17
D. 244,154	4/1977	Smith et al.	D24/8
D. 244,155	4/1977	Smith et al.	D24/17
D. 247,251	2/1978	Napoli	D24/8 X
D. 249,064	8/1978	Smith et al.	D24/17
D. 253,608	12/1979	Smith et al.	D24/17
D. 253,610	12/1979	Smith et al.	D24/17
4,096,856	6/1978	Smith et al.	128/419 D

OTHER PUBLICATIONS

Medical Research Laboratories, Inc., Technical Data Sheet, "Porta-Care MD-520 Monitor-Defibrillator".

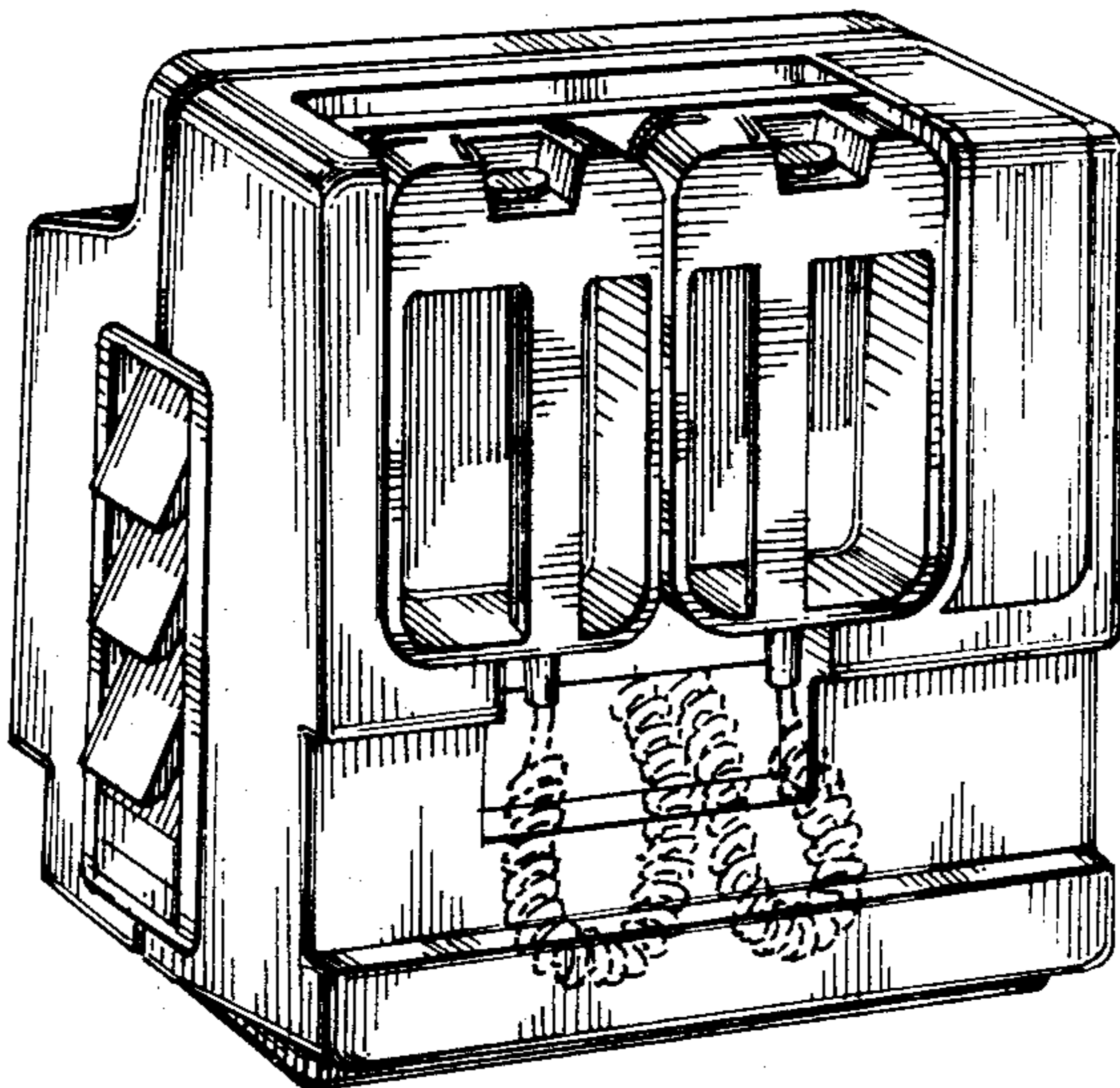
Primary Examiner—A. Hugo Word
Assistant Examiner—Stella M. Reid
Attorney, Agent, or Firm—Christensen, O'Connor, Johnson & Kindness

[57] **CLAIM**

The ornamental design for a defibrillator, as shown and described.

DESCRIPTION

FIG. 1 is a front perspective view of a defibrillator showing our new design;
FIG. 2 is a front elevational view thereof;
FIG. 3 is a top plan view thereof;
FIG. 4 is a bottom plan view thereof;
FIG. 5 is a left side elevational view thereof;
FIG. 6 is a right side elevational view thereof;
FIG. 7 is a back view thereof.
The broken line showing of the cord is for illustrative purposes only and forms no part of the claimed design.



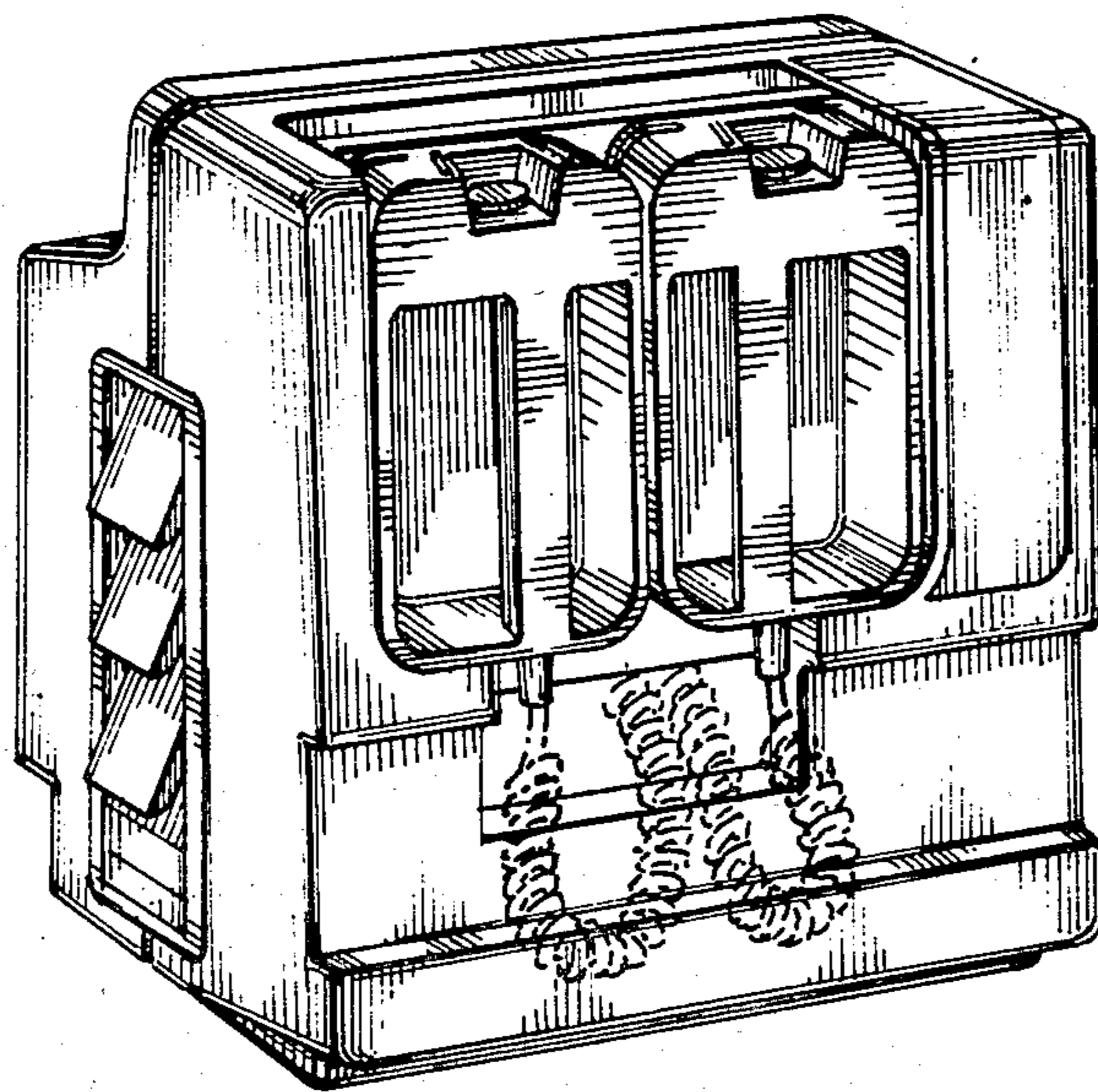


Fig. 1.

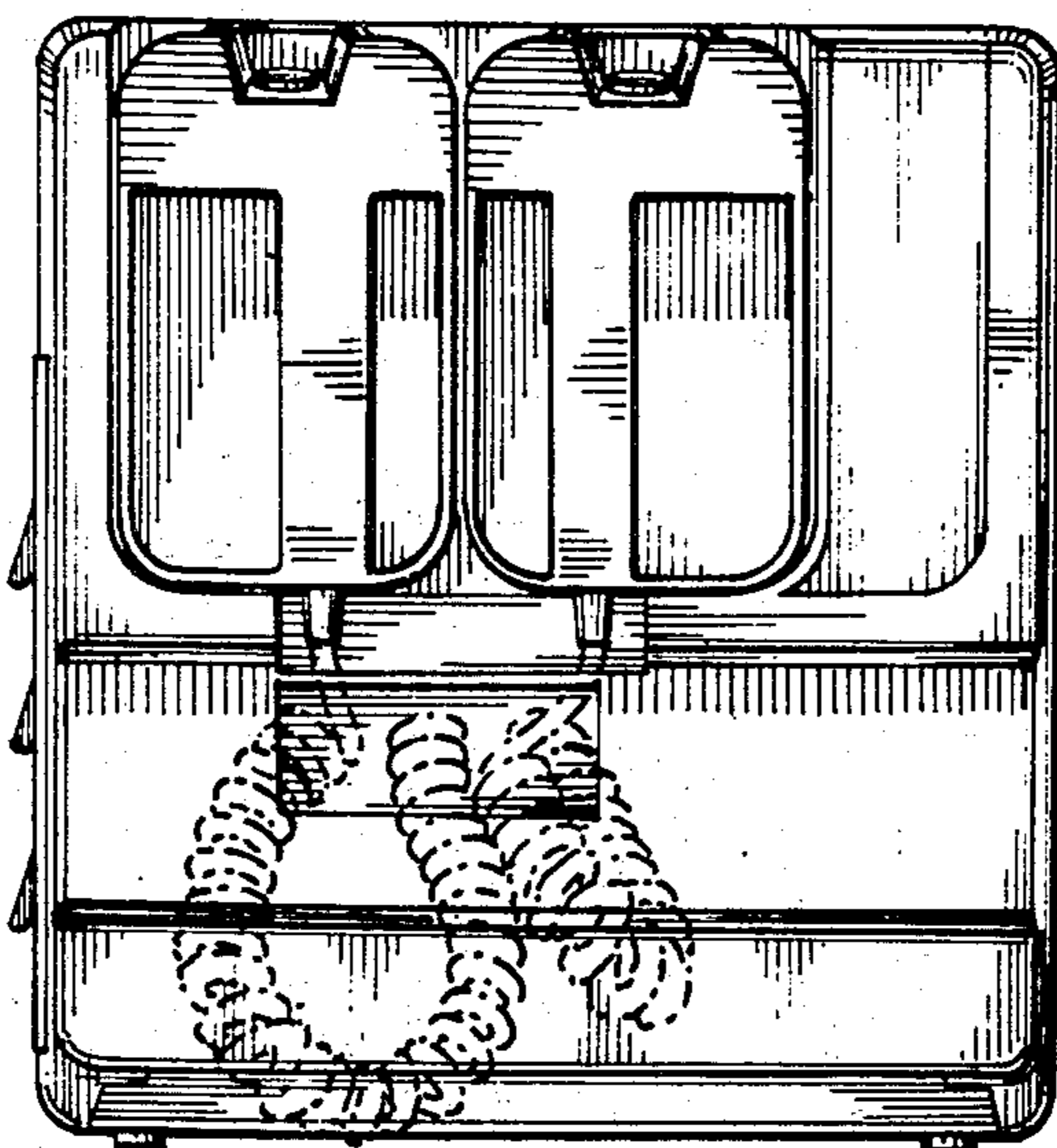


Fig. 2.

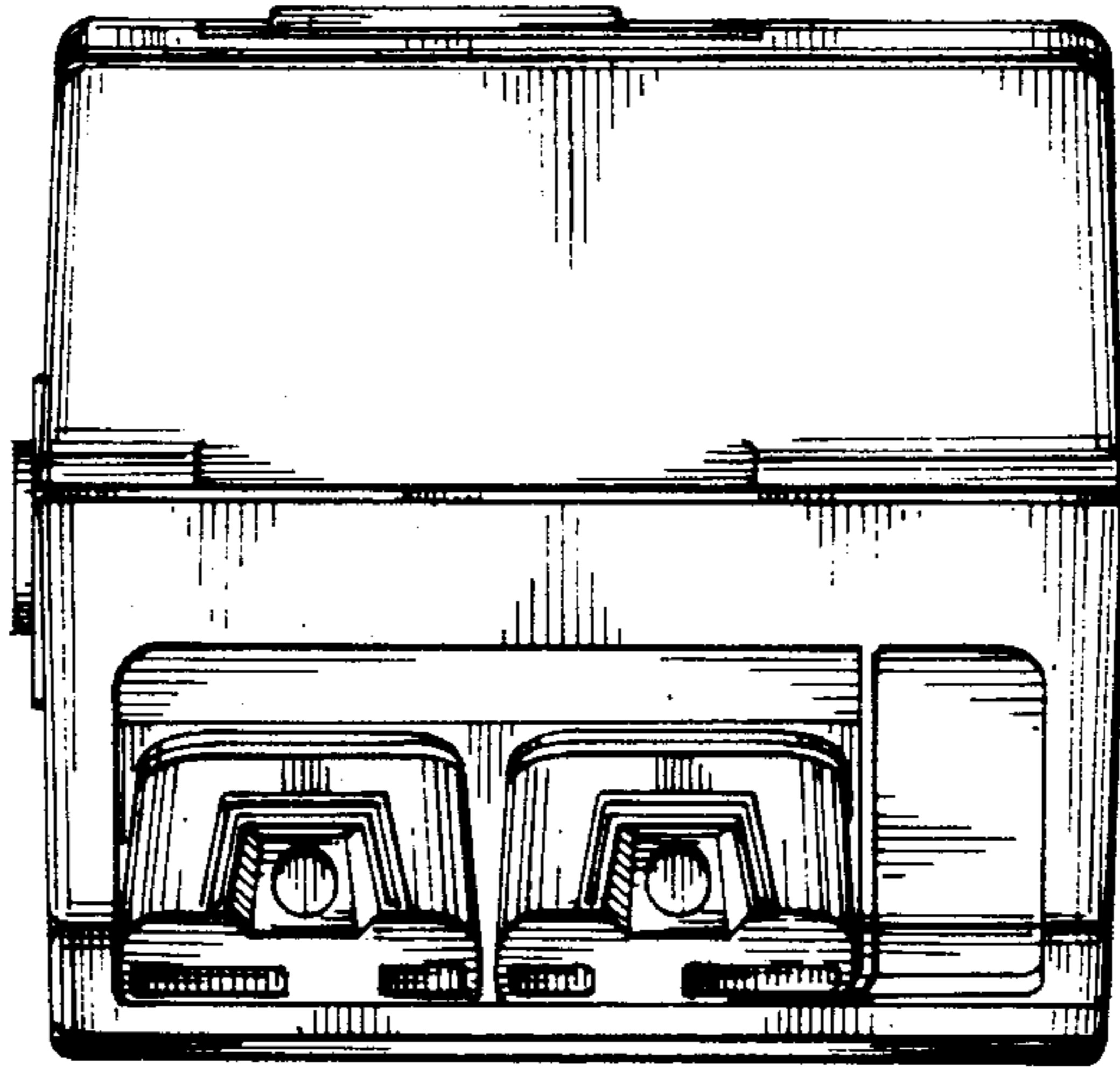


Fig. 3.

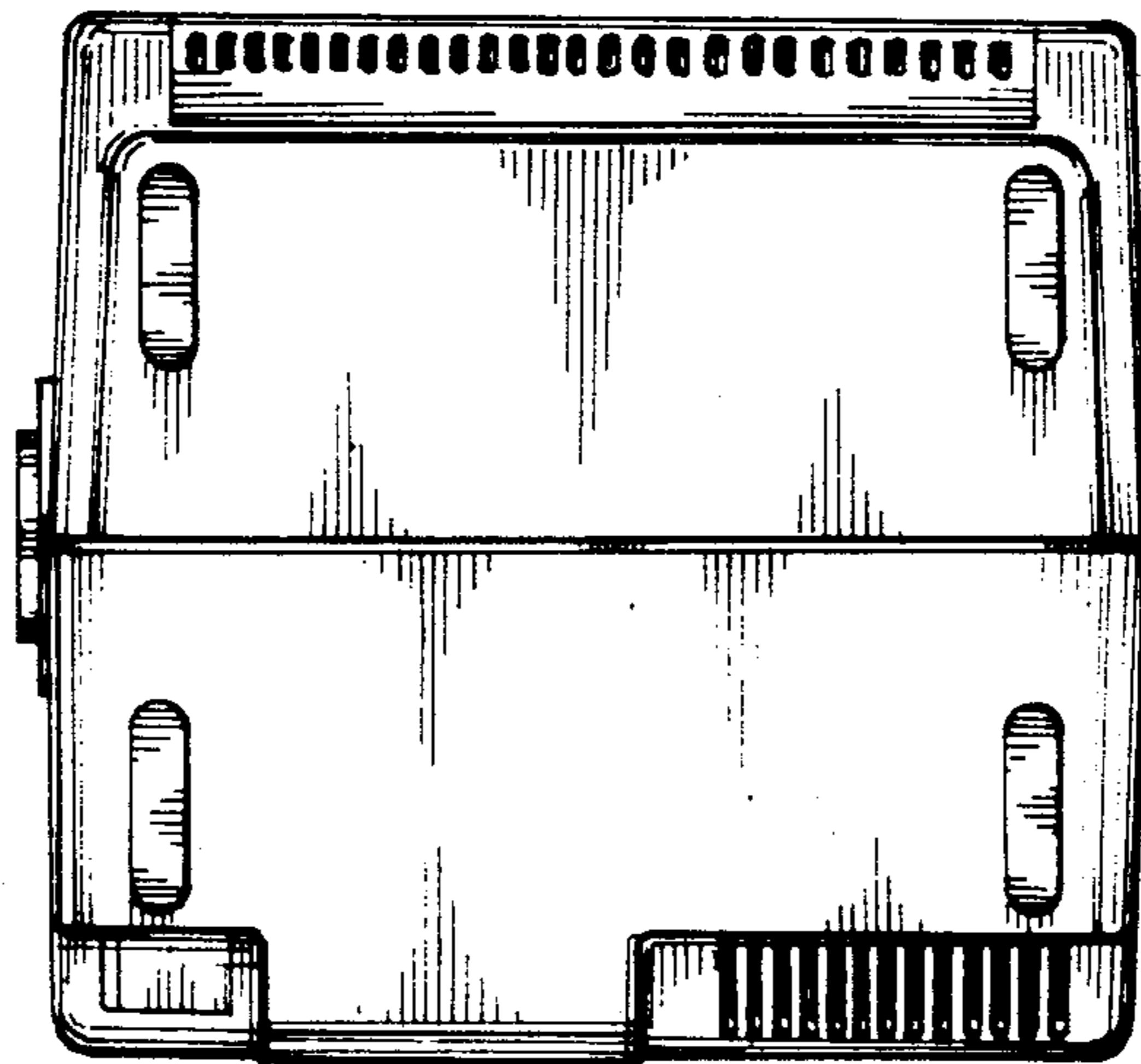


Fig. 4.

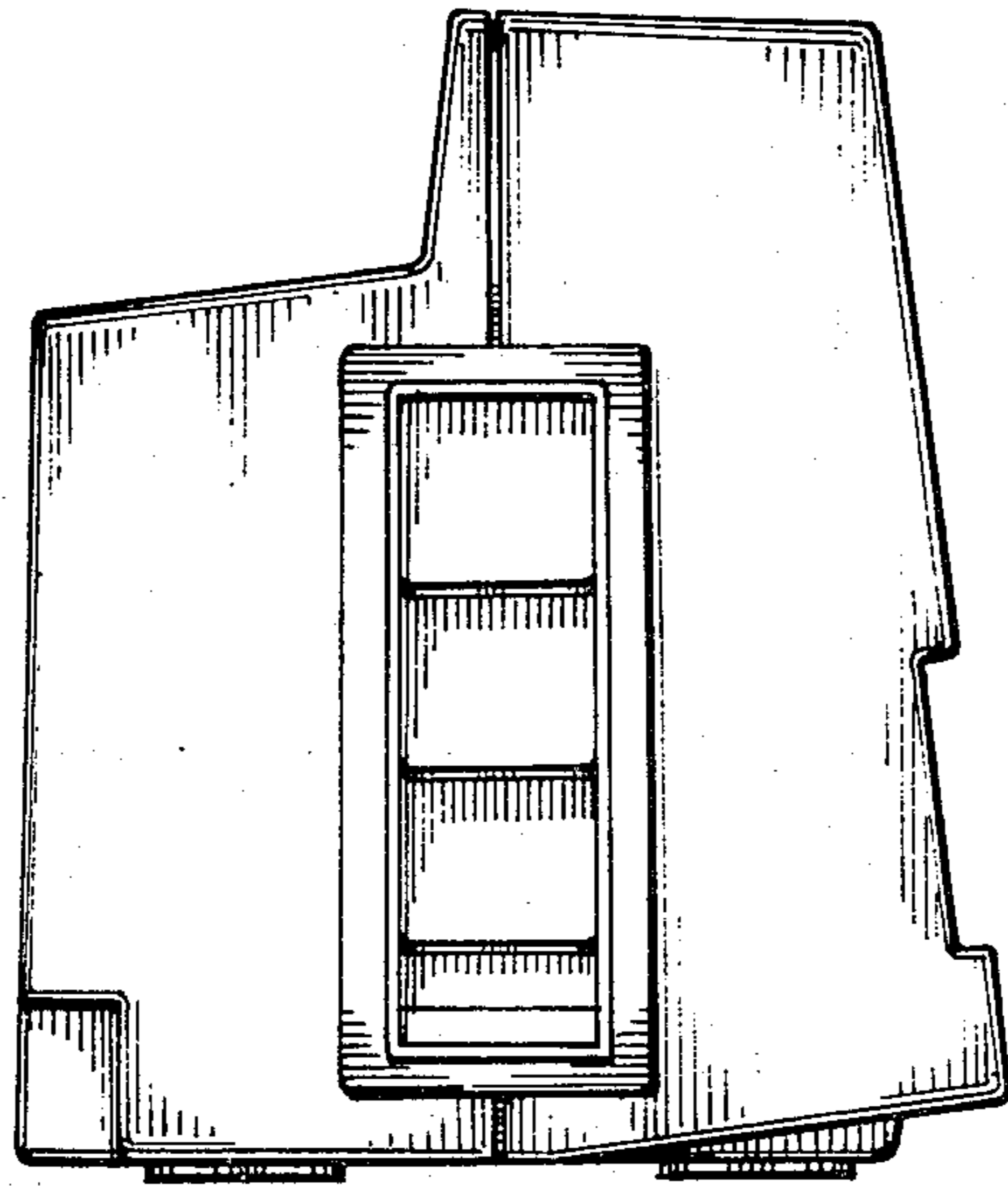


Fig. 5.

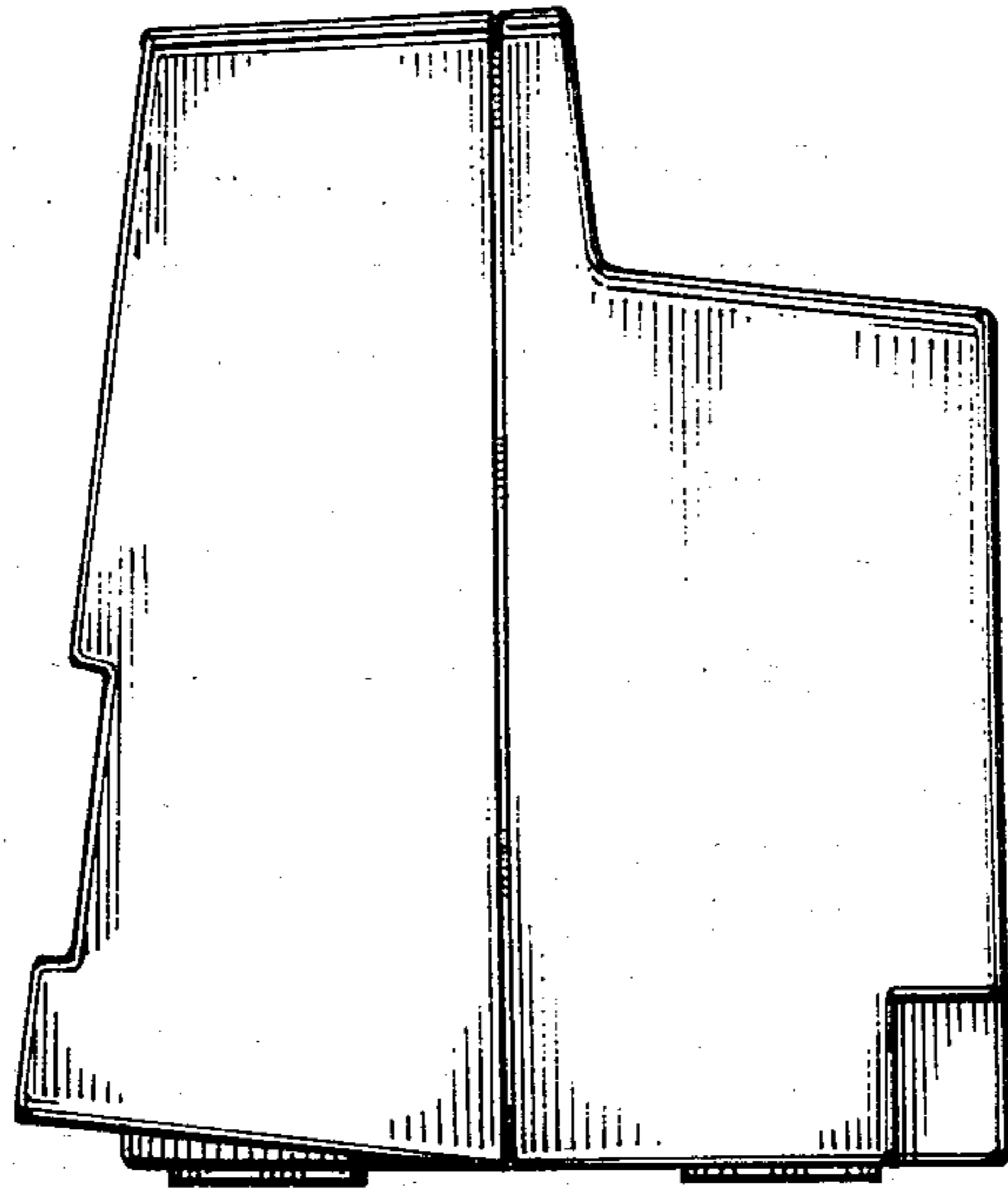


Fig. 6.

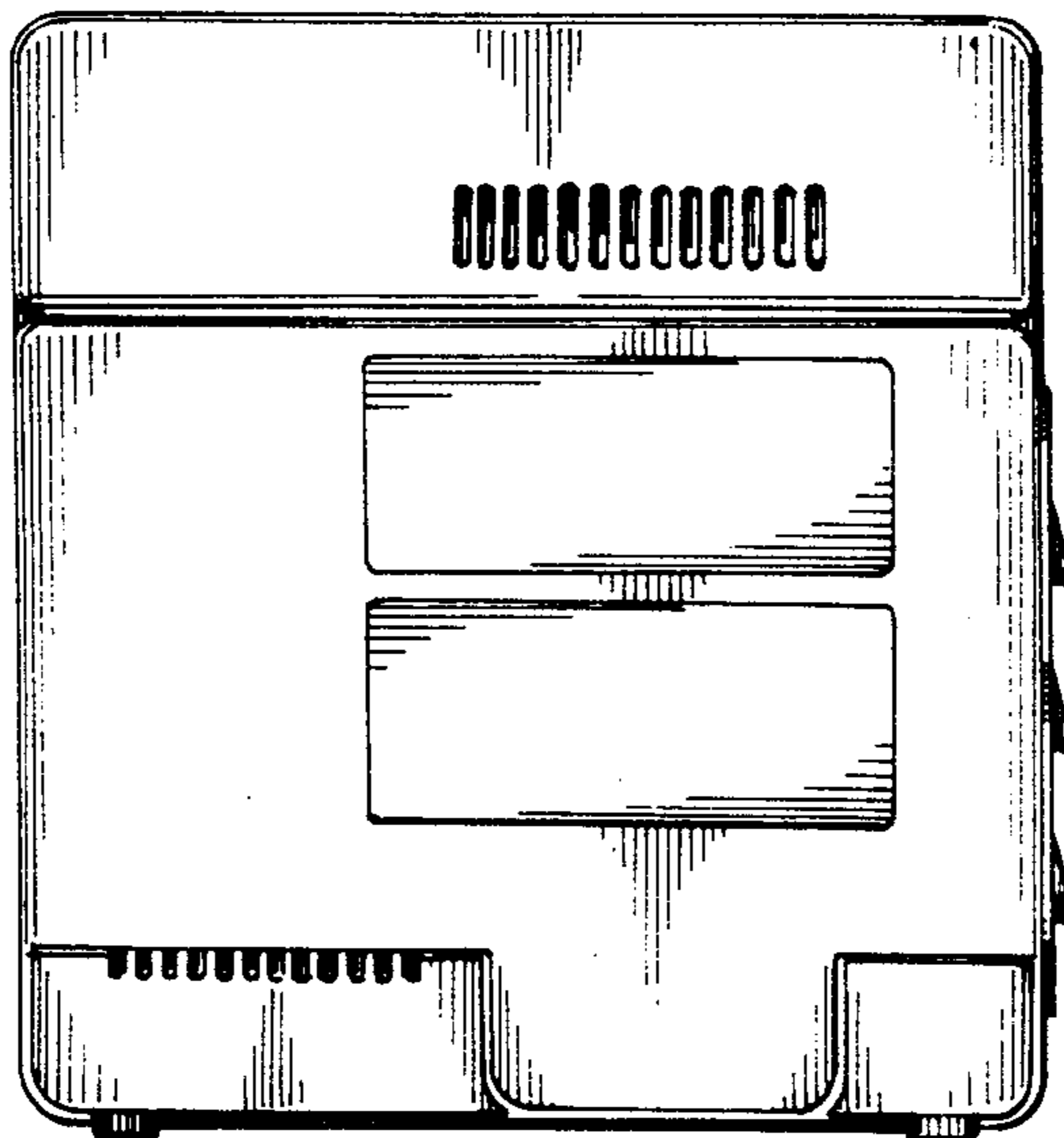


Fig. 7.