

[54] JET FITTING FOR A HYDROTHERAPY SPA AND THE LIKE

[75] Inventor: Remo Jacuzzi, Little Rock, Ark.

[73] Assignee: Jason International, Inc., Little Rock, Ark.

[**] Term: 14 Years

[21] Appl. No.: 697,911

[22] Filed: Feb. 4, 1985

[52] U.S. Cl. D23/34

[58] Field of Search D23/34-37, D23/41, 42; D24/38; 261/DIG. 75; 239/428.5; 128/66; 4/286, 288, 292, 496, 507-509, 541-544

[56] References Cited

U.S. PATENT DOCUMENTS

D. 244,462	5/1977	Mathis	D23/34
D. 259,735	6/1981	Moreland	D23/34
3,471,091	10/1969	Baker .	
3,677,474	7/1972	Lorenzen .	
3,890,655	6/1975	Mathis .	
3,905,358	9/1975	Jacuzzi	4/559
3,985,303	10/1976	Steimle .	
4,221,336	9/1980	Diamond .	
4,261,347	4/1981	Spencer et al. .	

4,262,371	4/1981	Berry et al. .	
4,264,039	4/1981	Moreland	239/428.5
4,335,854	6/1982	Reynoso	4/542
4,349,923	9/1982	Chalberg .	
4,416,030	11/1983	Reynoso	4/496
4,422,191	12/1983	Jaworski	4/496
4,508,665	4/1985	Spinnett	239/428.5 X
4,541,780	9/1985	Moreland	4/541
4,593,420	6/1986	Tobias et al.	4/541

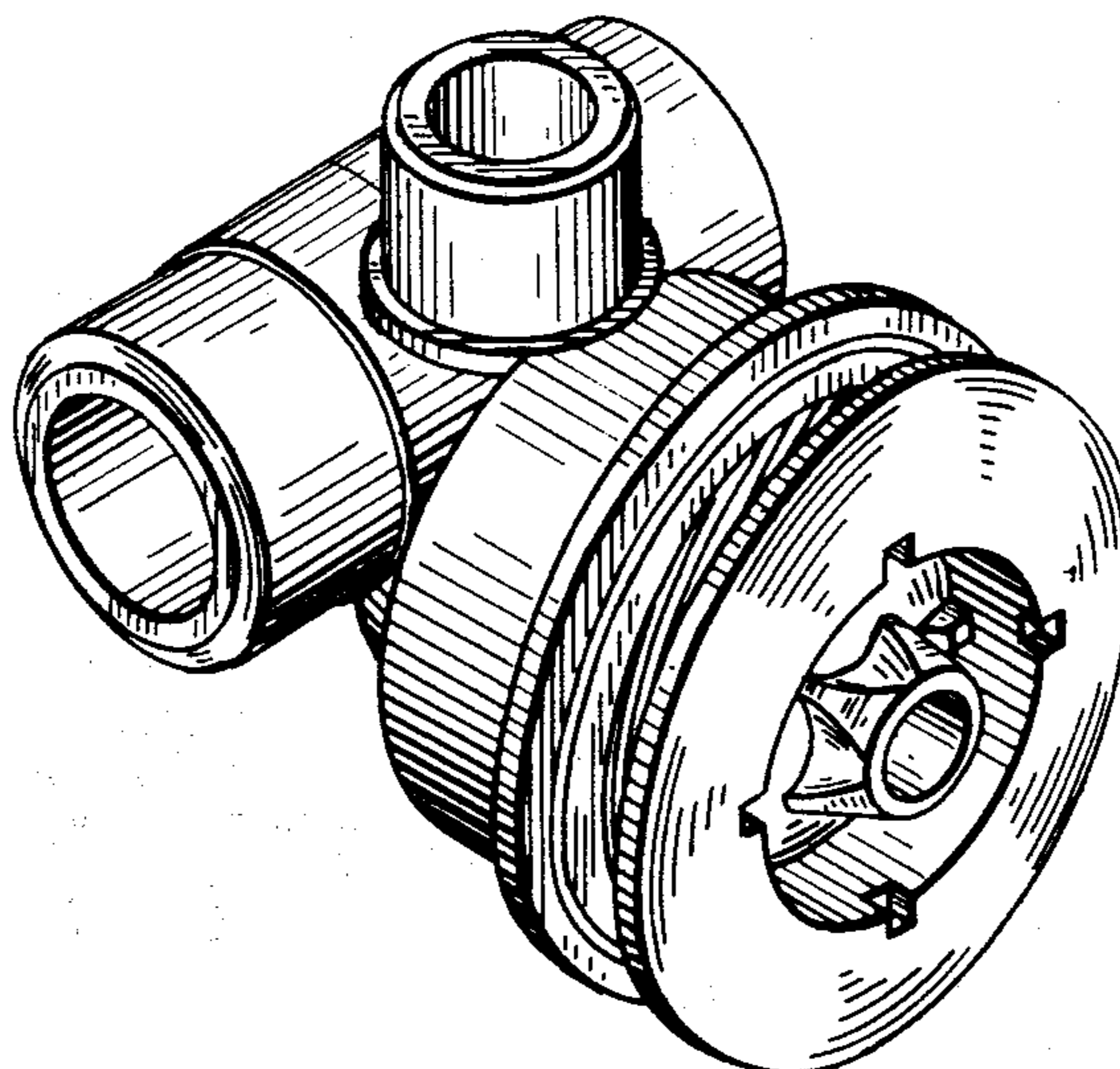
Primary Examiner—James R. Largen
Attorney, Agent, or Firm—Franklin D. Wolffe; Morris Fidelman

[57] CLAIM

The ornamental design for a jet fitting for a hydrotherapy spa and the like, as shown and described.

DESCRIPTION

FIG. 1 is a perspective view taken from the top, front and left side of a jet fitting for a hydrotherapy spa and the like showing my new design; FIG. 2 is a top plan view thereof; FIG. 3 is a bottom plan view thereof; FIG. 4 is a right side elevational view thereof, the left side being a mirror image of the right side shown; FIG. 5 is a front, elevational view thereof; FIG. 6 is a rear, elevational view thereof; and FIG. 7 is an exploded perspective view thereof.



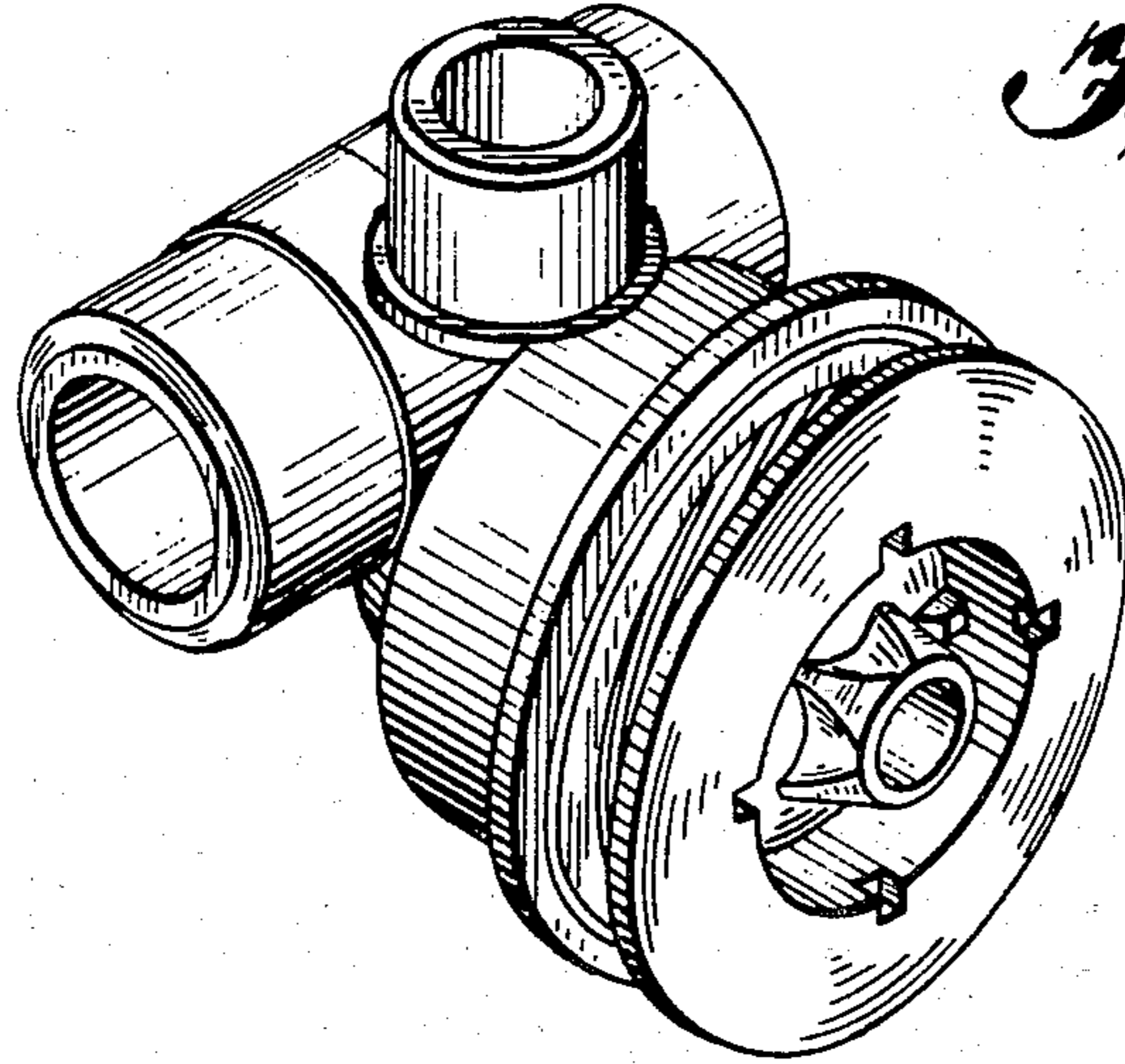


Fig. 1

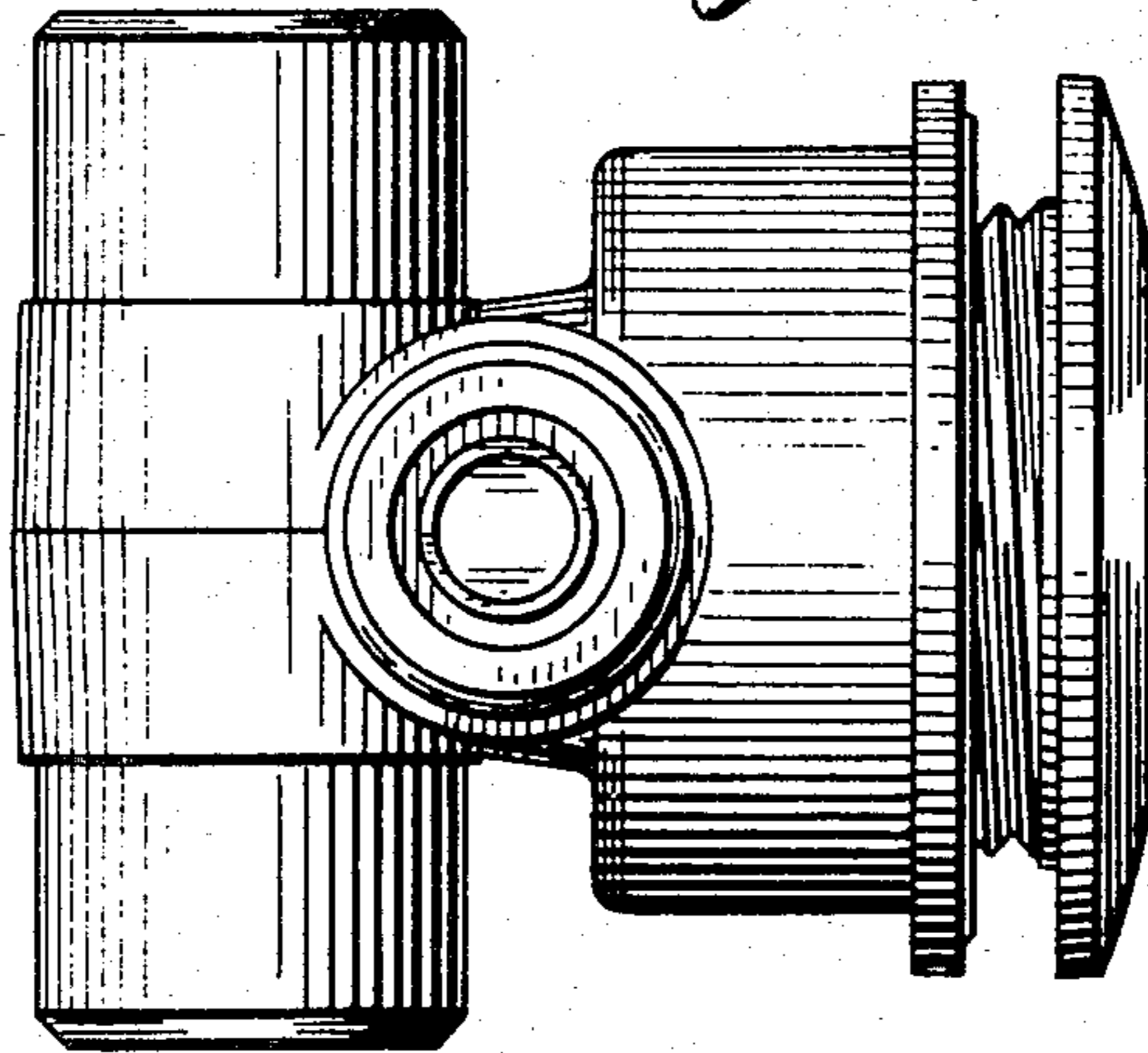


Fig. 2

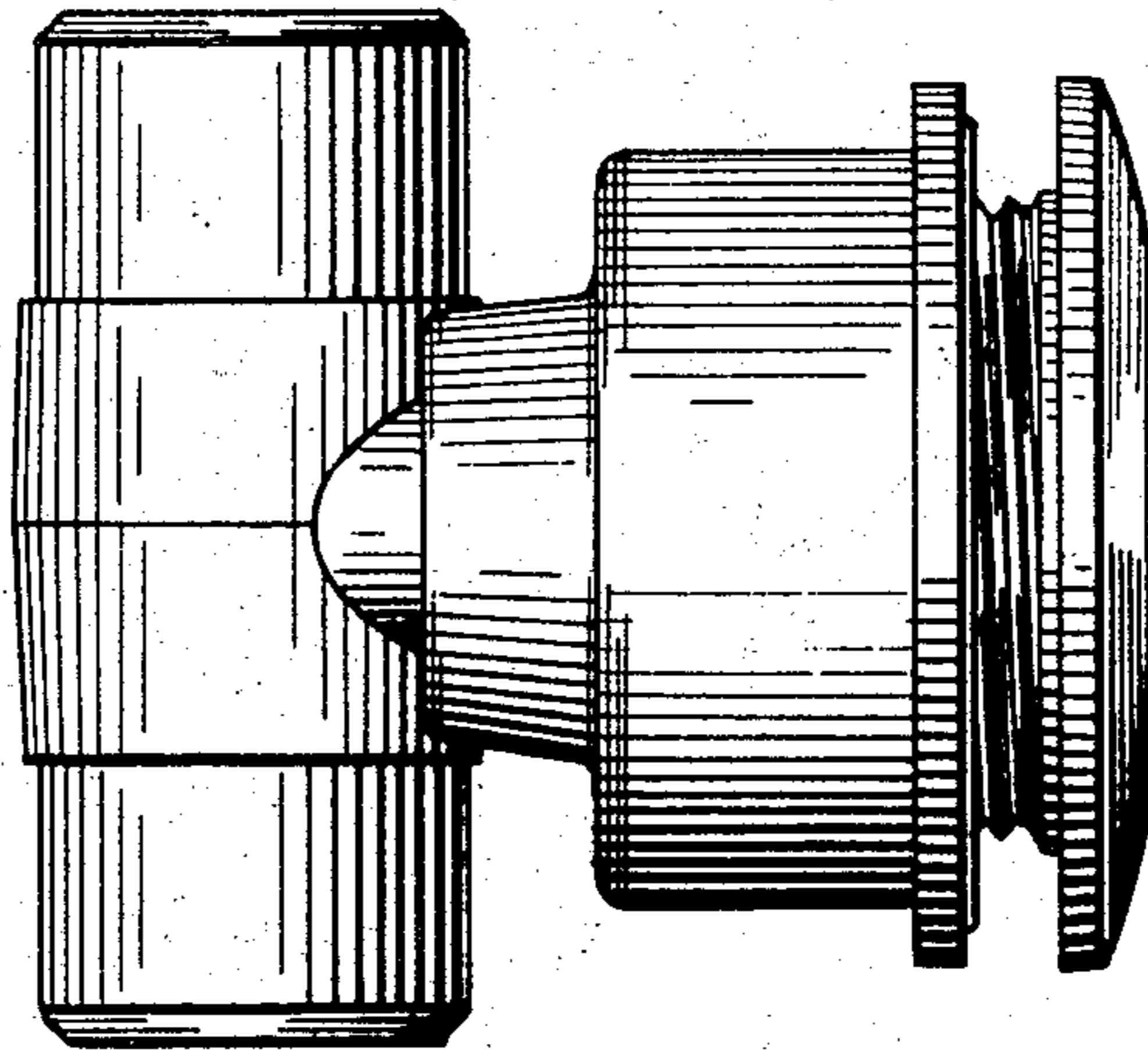


Fig. 3

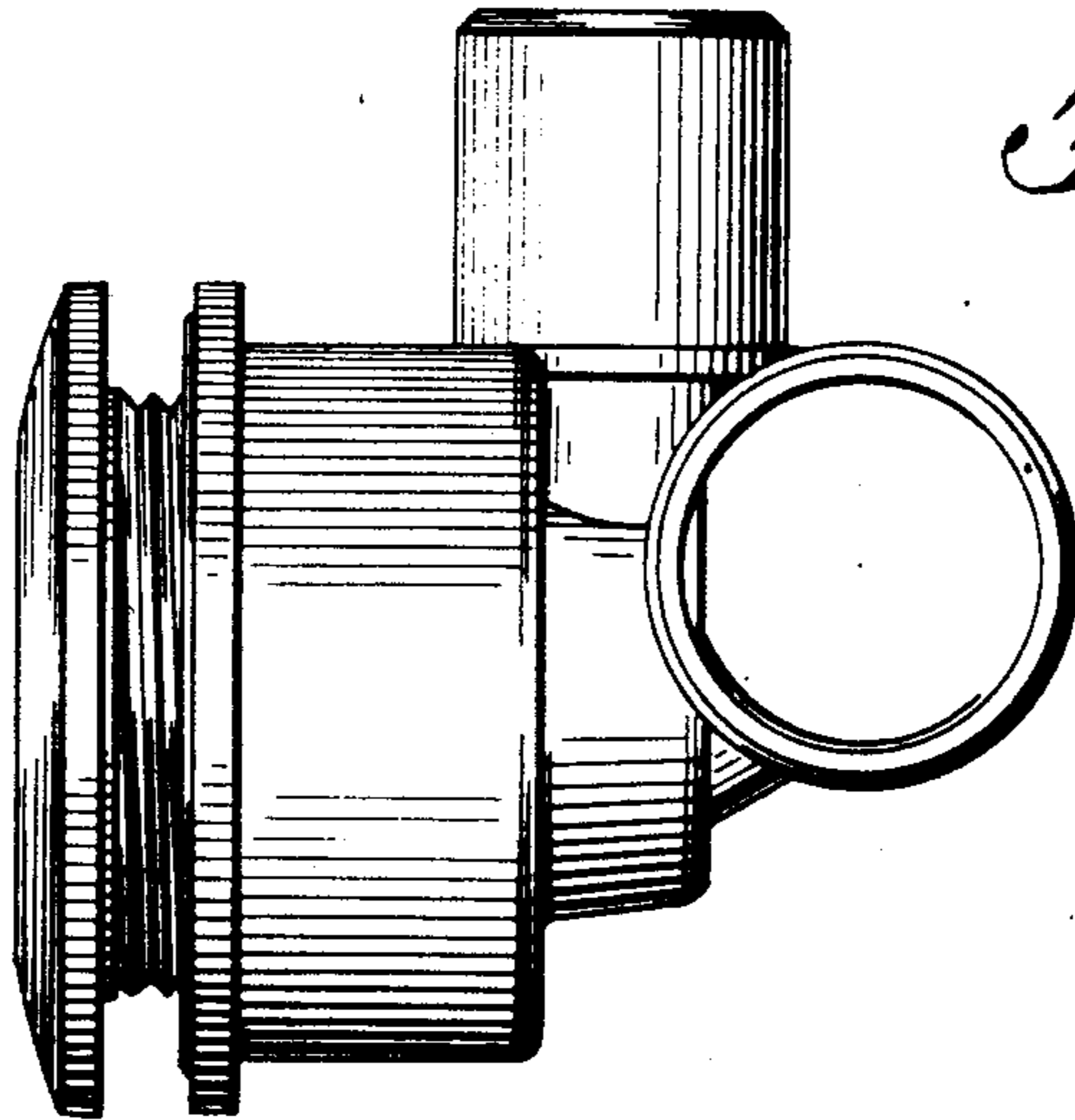


Fig. 4

Fig. 5

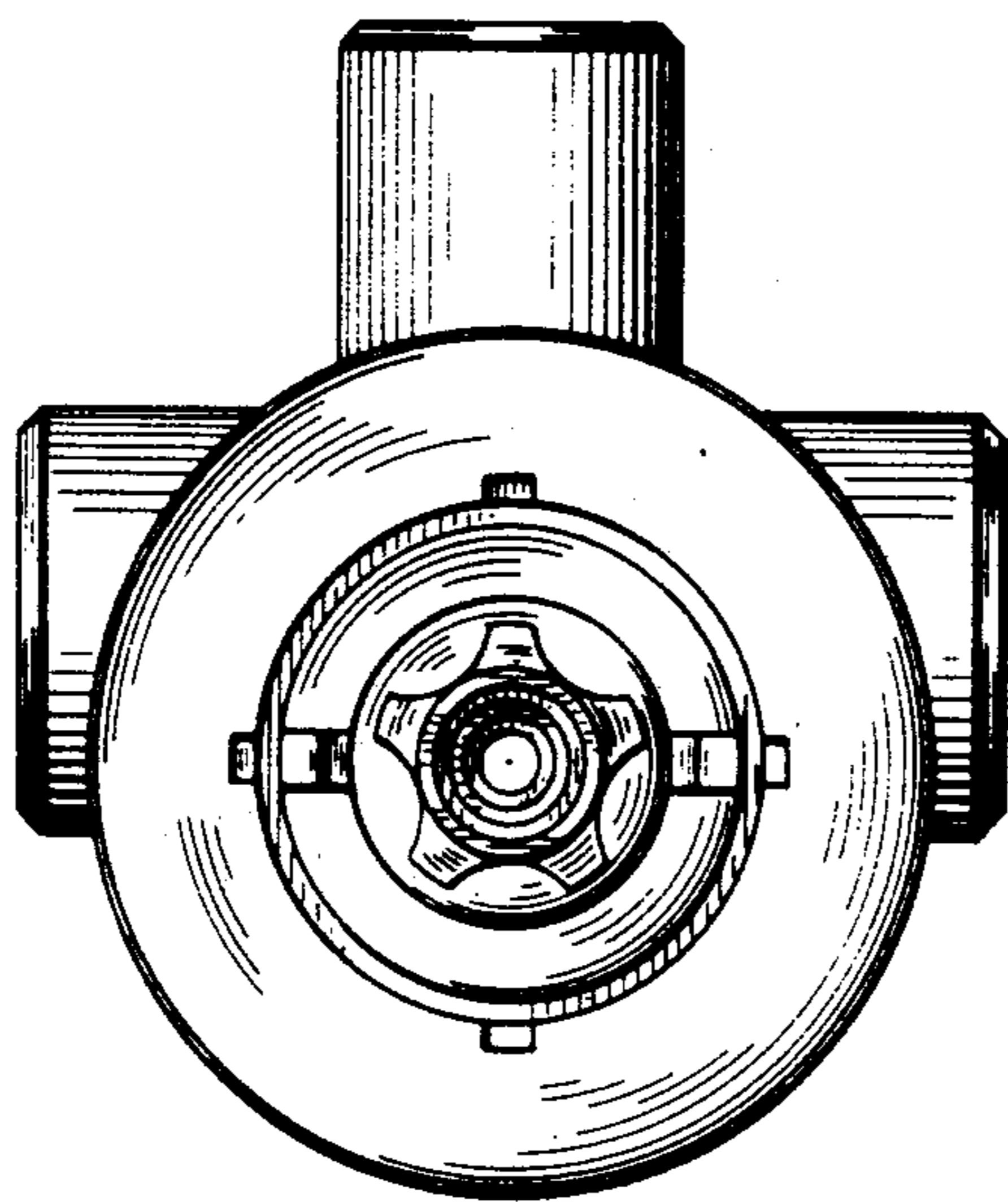


Fig. 6

