

# United States Patent [19]

Paul

[11] Patent Number: **Des. 290,162**

[45] Date of Patent: **\*\* Jun. 2, 1987**

[54] LAVATORY FAUCET

[75] Inventor: **Stanley M. Paul, Rye, N.Y.**

[73] Assignee: **Paul Associates, Inc., Long Island City, N.Y.**

[\*\*] Term: **14 Years**

[21] Appl. No.: **774,700**

[22] Filed: **Sep. 11, 1985**

[52] U.S. Cl. .... **D23/25**

[58] Field of Search ..... **D23/23-32;**  
**4/191, 192; 137/801**

[56]

### References Cited

#### U.S. PATENT DOCUMENTS

D. 265,229	6/1982	Paul .....	D23/25
D. 265,230	6/1982	Paul .....	D23/25
D. 265,231	6/1982	Paul .....	D23/25
D. 268,949	5/1983	Delepine .....	D23/32
D. 271,514	11/1983	Paul .....	D23/25

D. 278,458	4/1985	Paul .....	D23/25
D. 279,213	6/1985	Paul .....	D23/25
D. 280,232	8/1985	Paul .....	D23/25
D. 280,437	9/1985	Rademacher .....	D23/23
D. 287,160	12/1986	Rademacher .....	D23/25
4,334,328	6/1982	Delepine .....	4/191

*Primary Examiner*—James R. Largen  
*Attorney, Agent, or Firm*—Blum Kaplan

### [57] CLAIM

The ornamental design for a lavatory faucet, as shown and described.

### DESCRIPTION

FIG. 1 is a perspective view taken from the top, front and left side of a lavatory faucet embodying my new design;

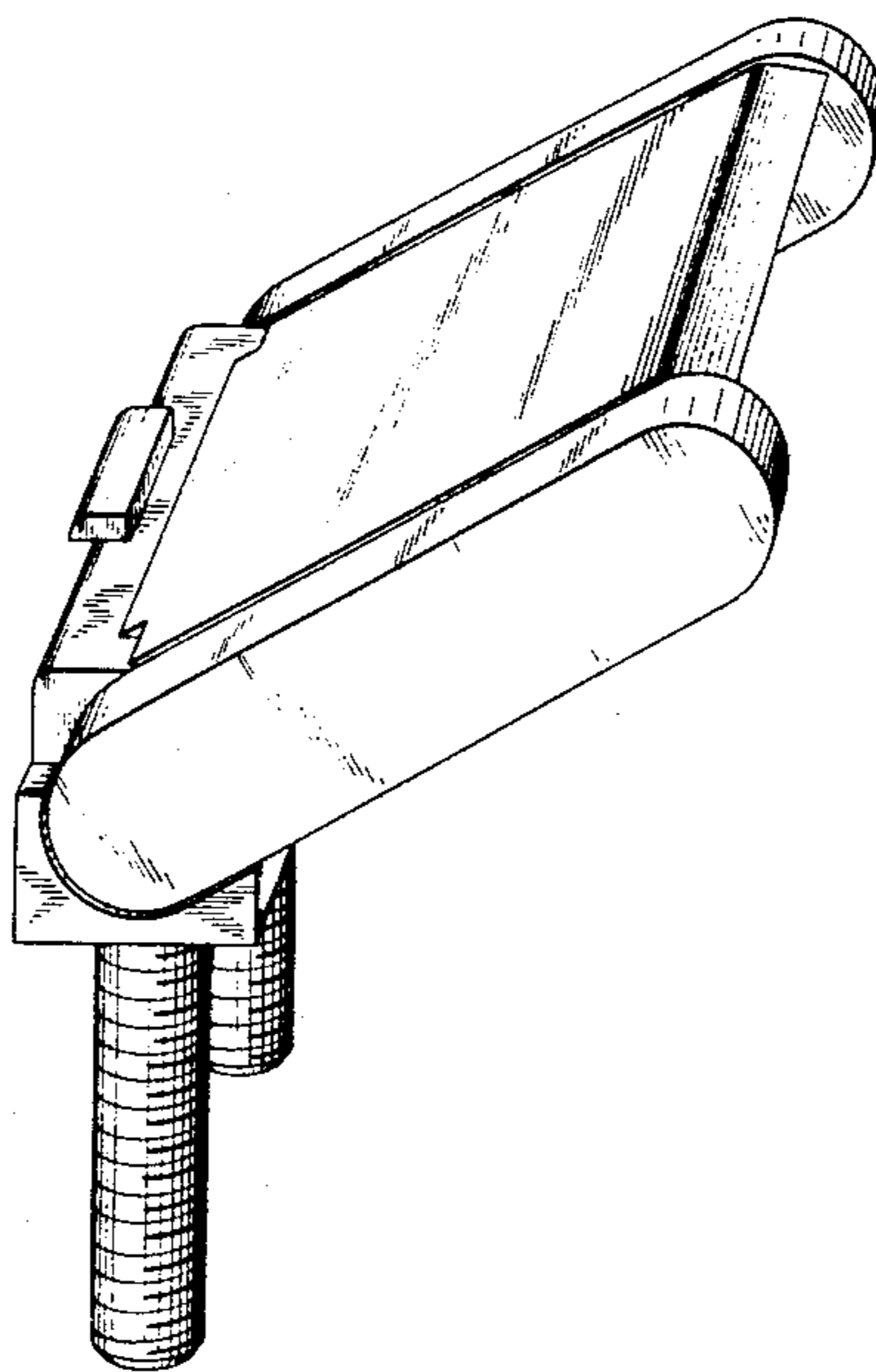
FIG. 2 is a right side elevational view thereof;

FIG. 3 is a top plan view thereof;

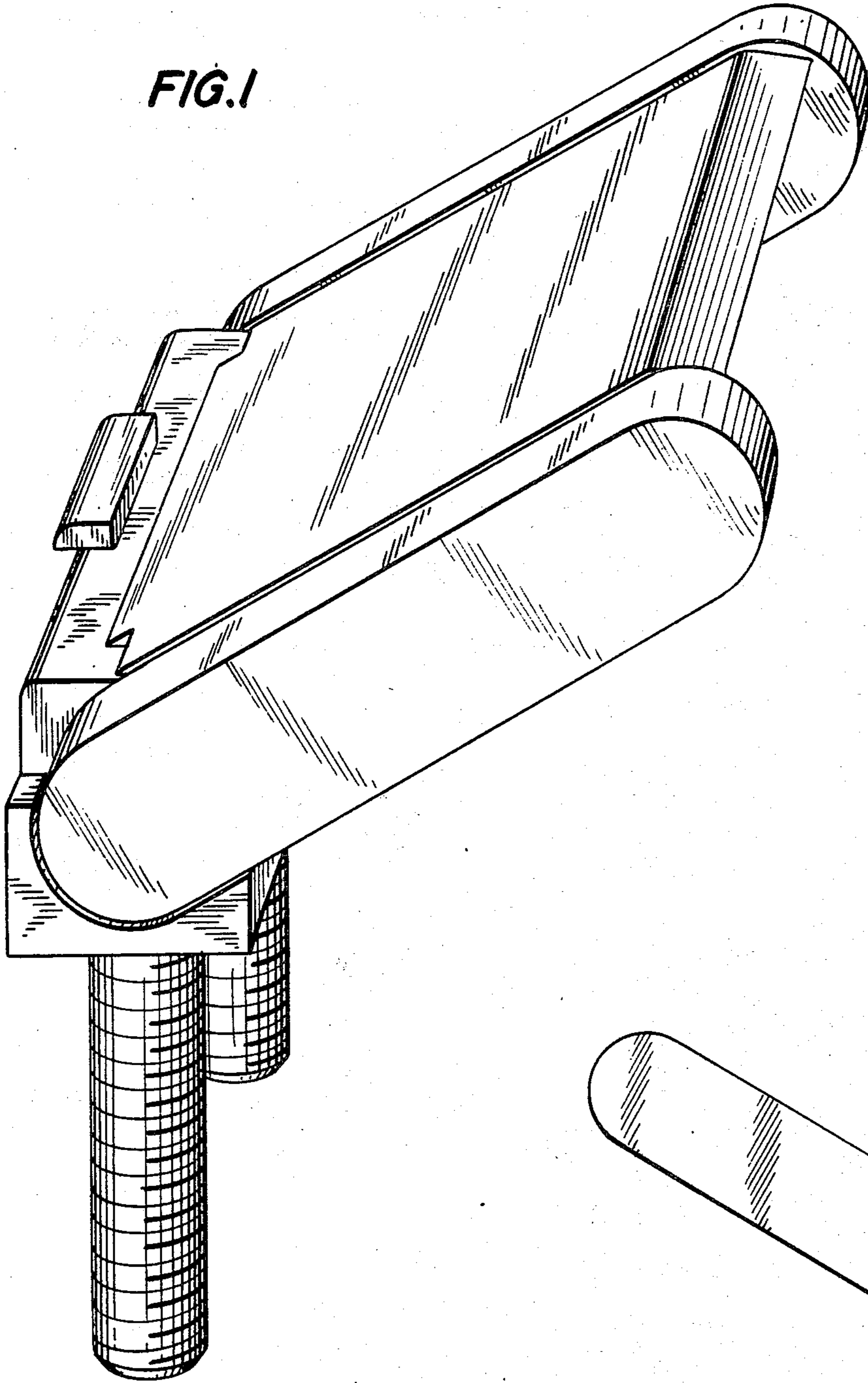
FIG. 4 is a front elevational view thereof;

FIG. 5 is a rear elevational view thereof; and

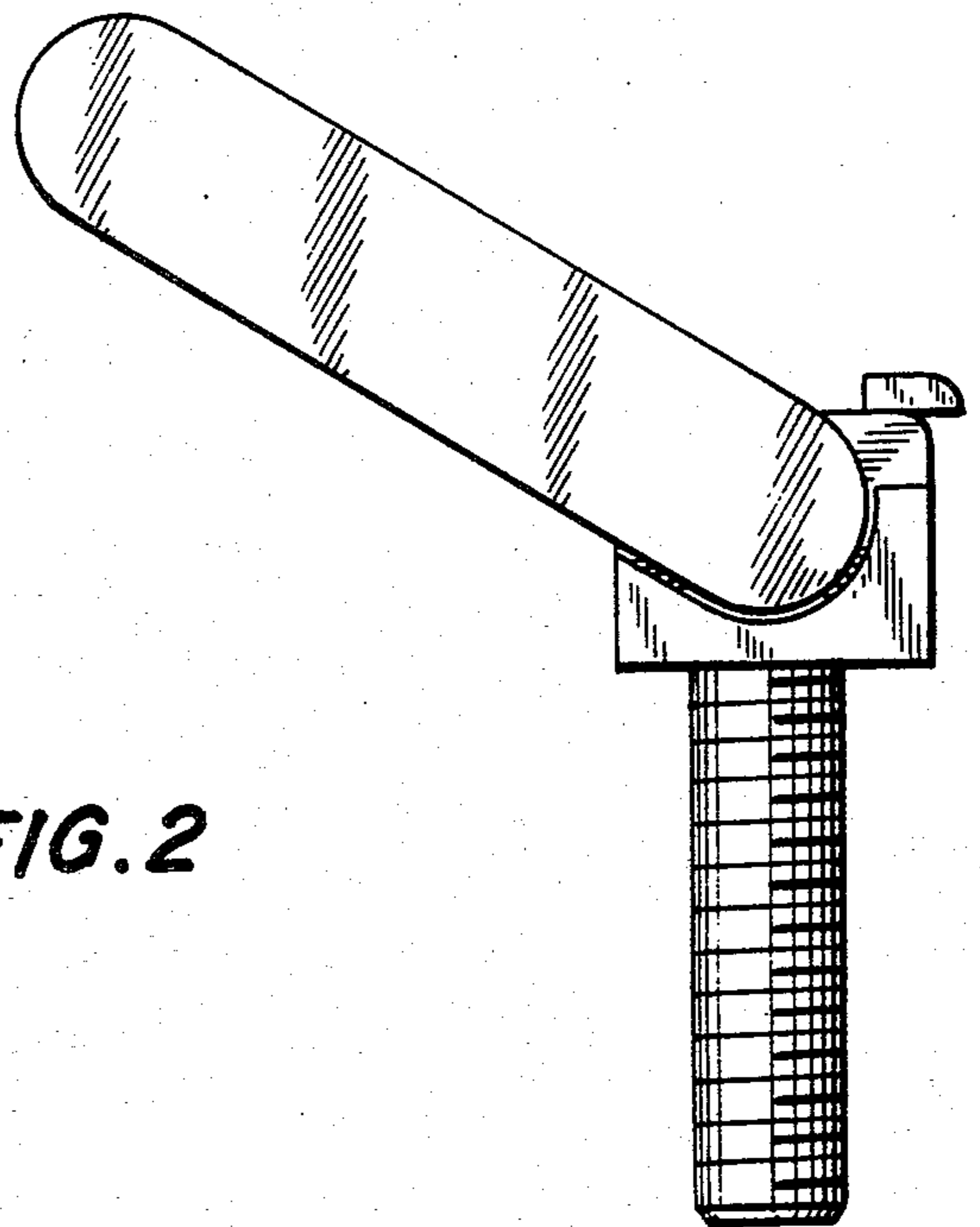
FIG. 6 is a bottom plan view thereof.



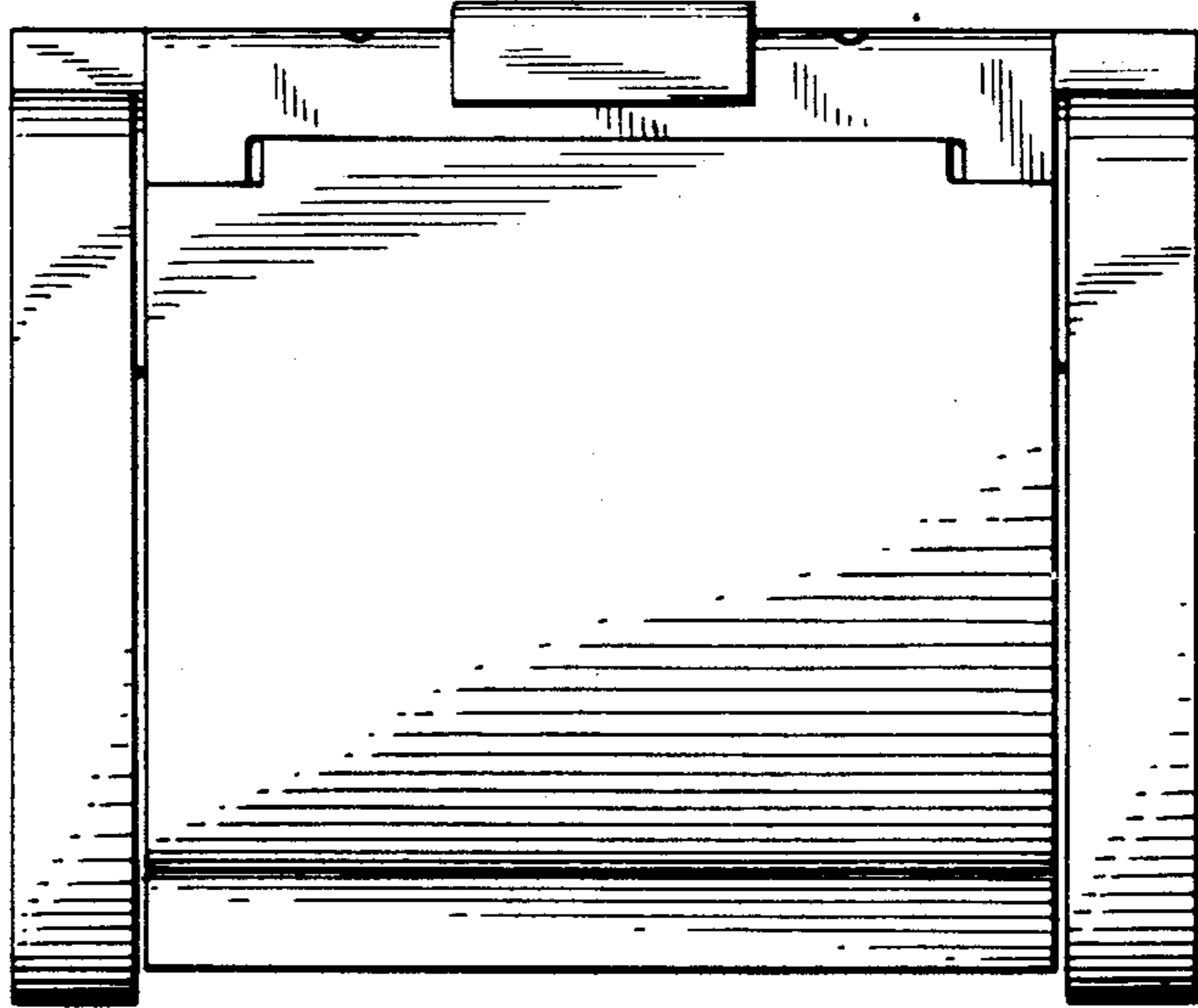
**FIG. 1**



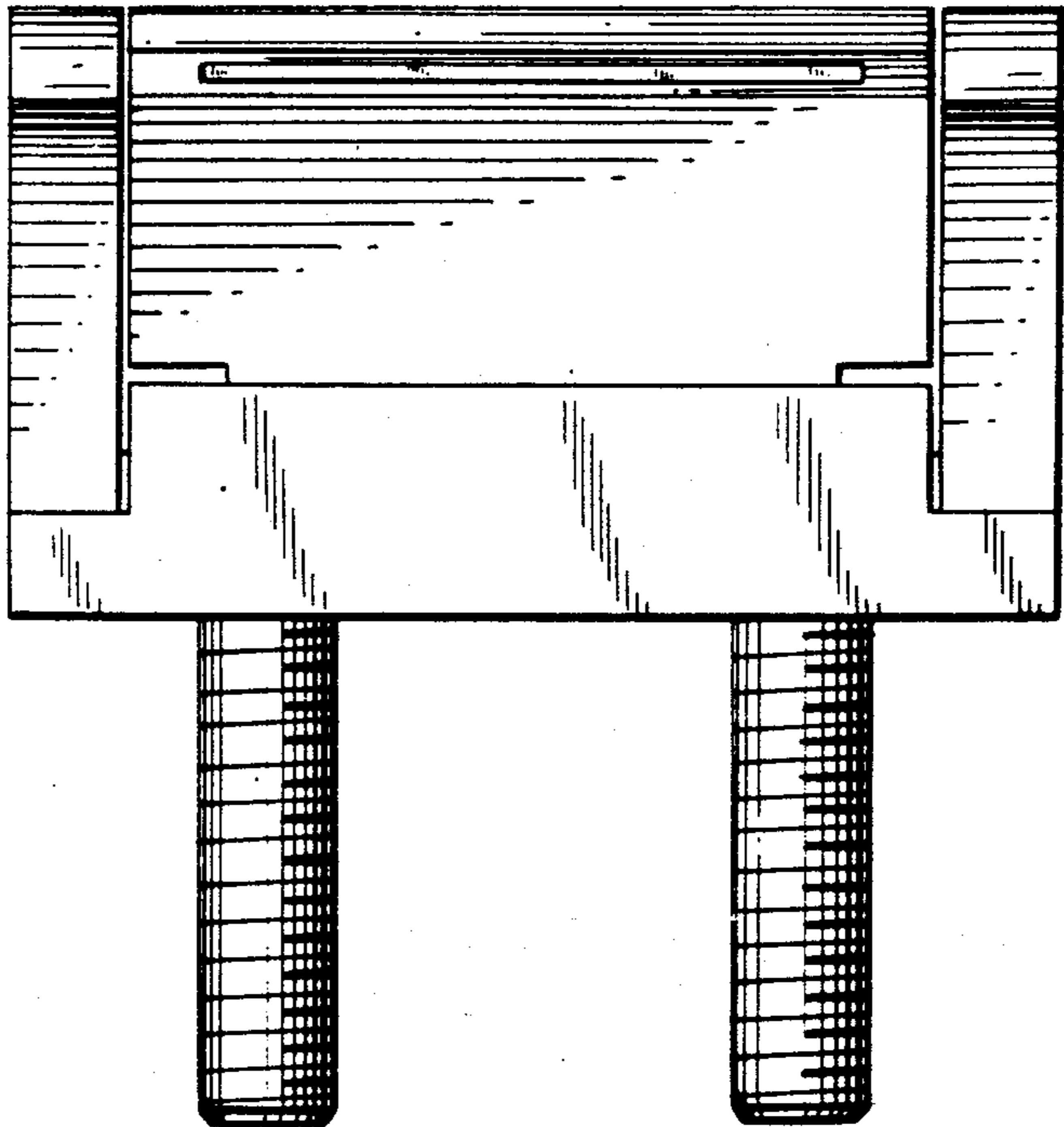
**FIG. 2**



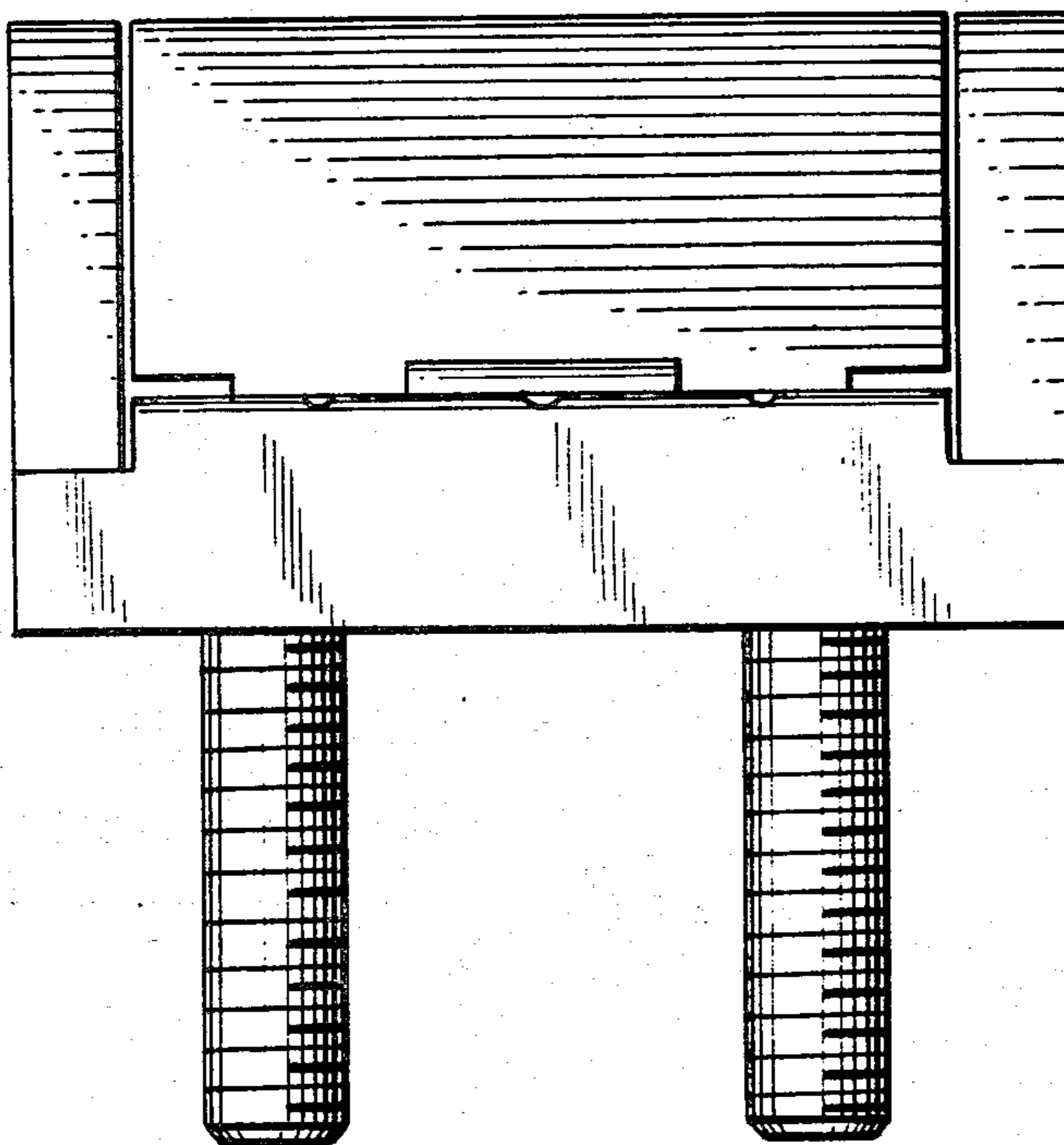
**FIG. 3**



**FIG. 4**



**FIG. 5**



**FIG. 6**

