

[54] LAVATORY FAUCET SET

[75] Inventor: Stanley M. Paul, Rye, N.Y.

[73] Assignee: Paul Associates, Inc., Long Island City, N.Y.

[**] Term: 14 Years

[21] Appl. No.: 774,676

[22] Filed: Sep. 11, 1985

[52] U.S. Cl. D23/25

[58] Field of Search D23/23-32;
4/191, 192; 137/801

[56] References Cited

U.S. PATENT DOCUMENTS

D. 265,229	6/1982	Paul	D23/25
D. 265,230	6/1982	Paul	D23/25
D. 265,231	6/1982	Paul	D23/25
D. 268,949	5/1983	Delepine	D23/32
D. 271,514	11/1983	Paul	D23/25

D. 278,458	4/1985	Paul	D23/25
D. 279,213	6/1985	Paul	D23/25
D. 280,232	8/1985	Paul	D23/25
D. 280,437	9/1985	Rademacher	D23/23
D. 287,160	12/1986	Rademacher	D23/25
4,334,328	6/1982	Delepine	4/191

Primary Examiner—James R. Lergen
Attorney, Agent, or Firm—Blum Kaplan

[57] CLAIM

The ornamental design for a lavatory faucet set, as shown and described.

DESCRIPTION

FIG. 1 is a perspective view taken from the top, front and left side of a lavatory faucet set embodying my new design;

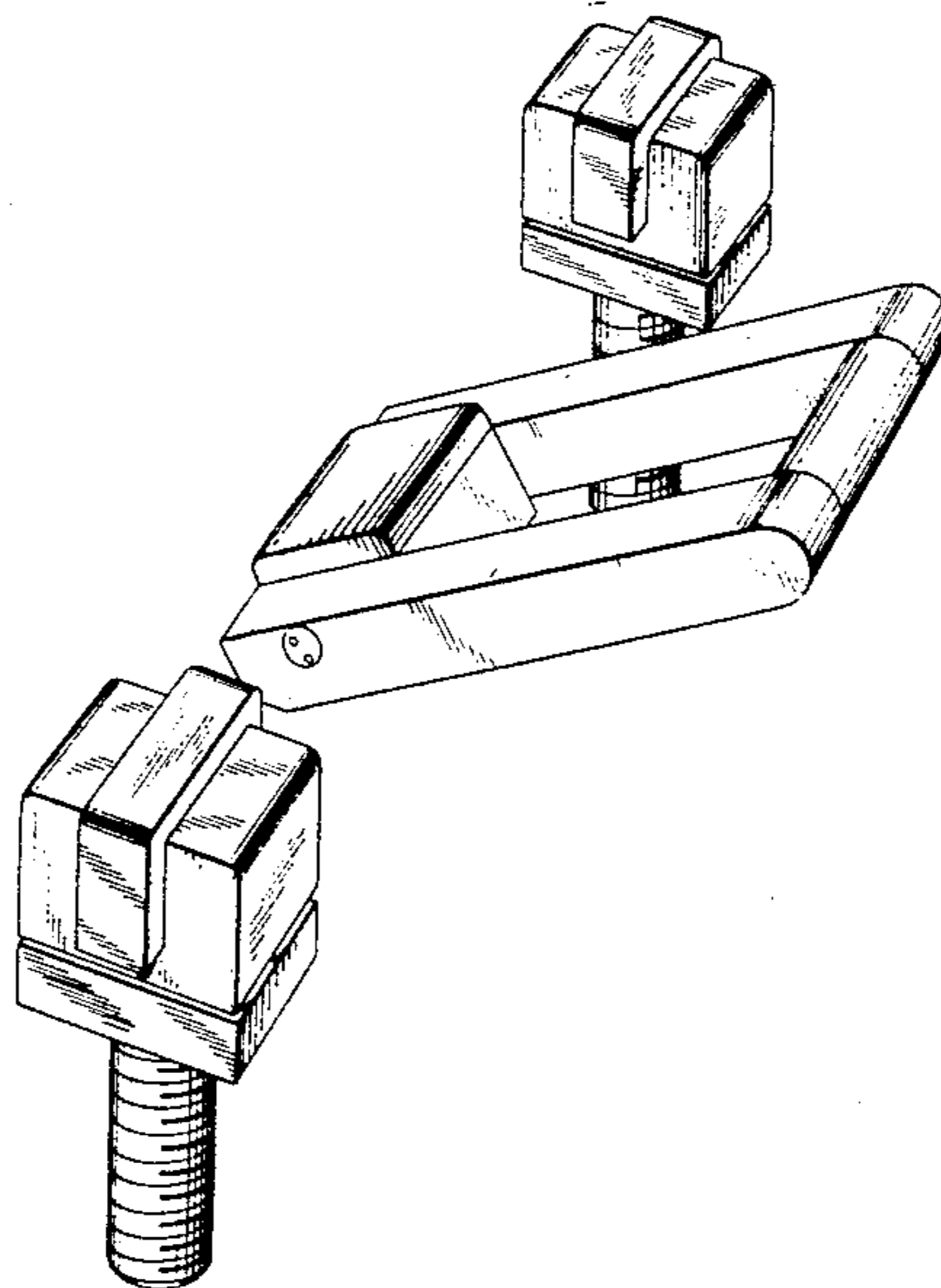
FIG. 2 is a right side elevational view thereof;

FIG. 3 is a top plan view thereof;

FIG. 4 is a front elevational view thereof;

FIG. 5 is a rear elevational view thereof; and

FIG. 6 is a bottom plan view thereof.



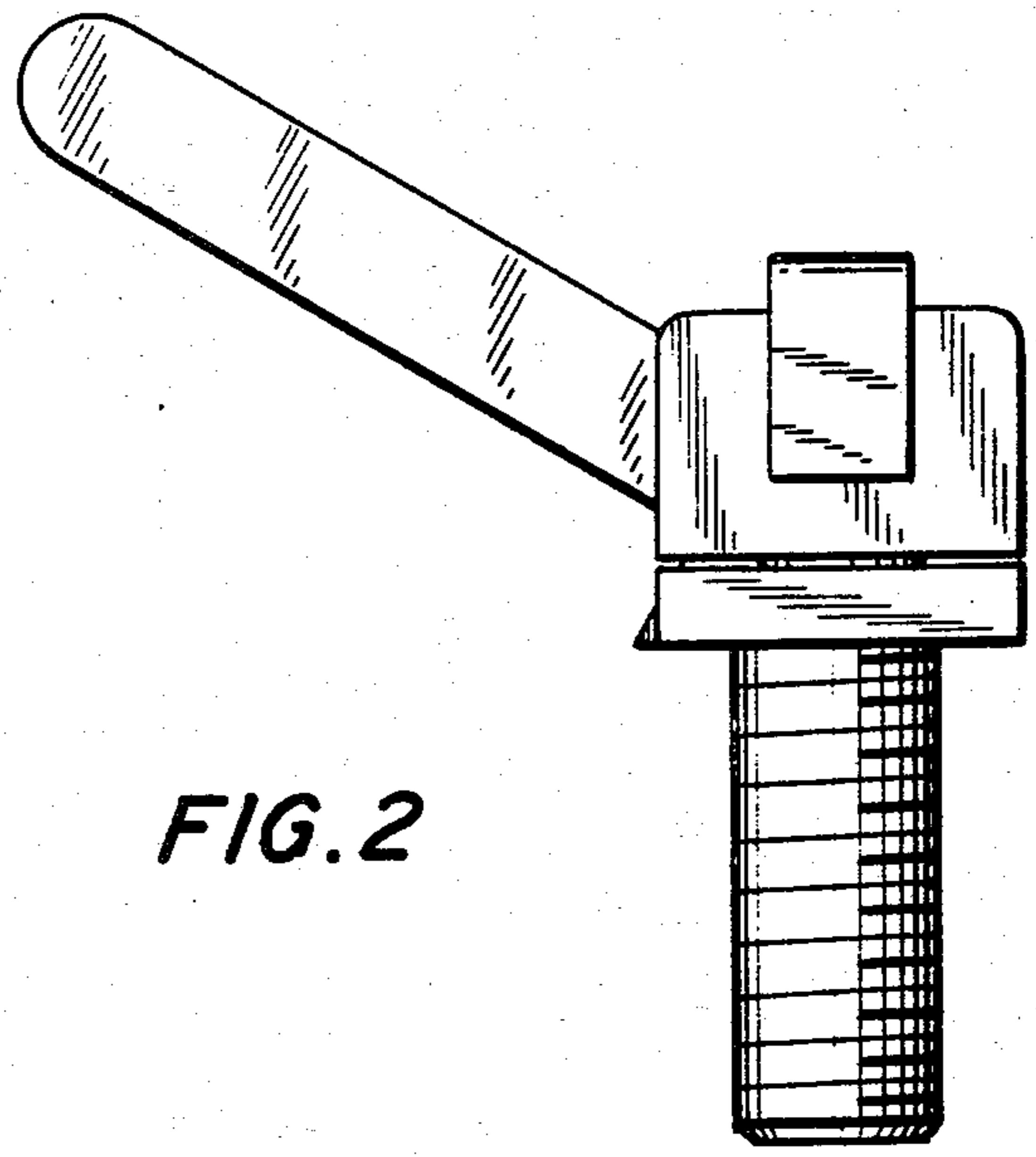
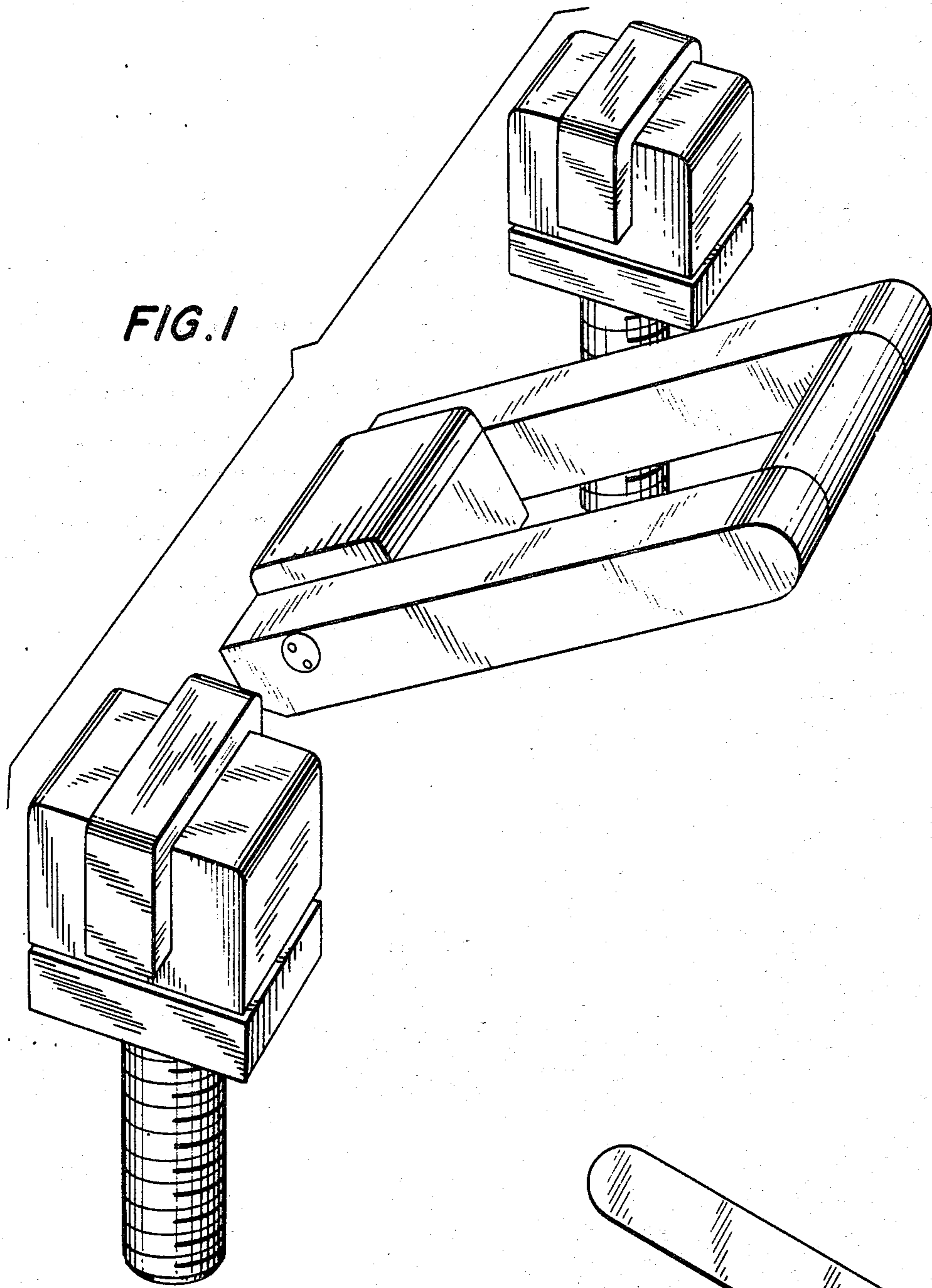


FIG. 3

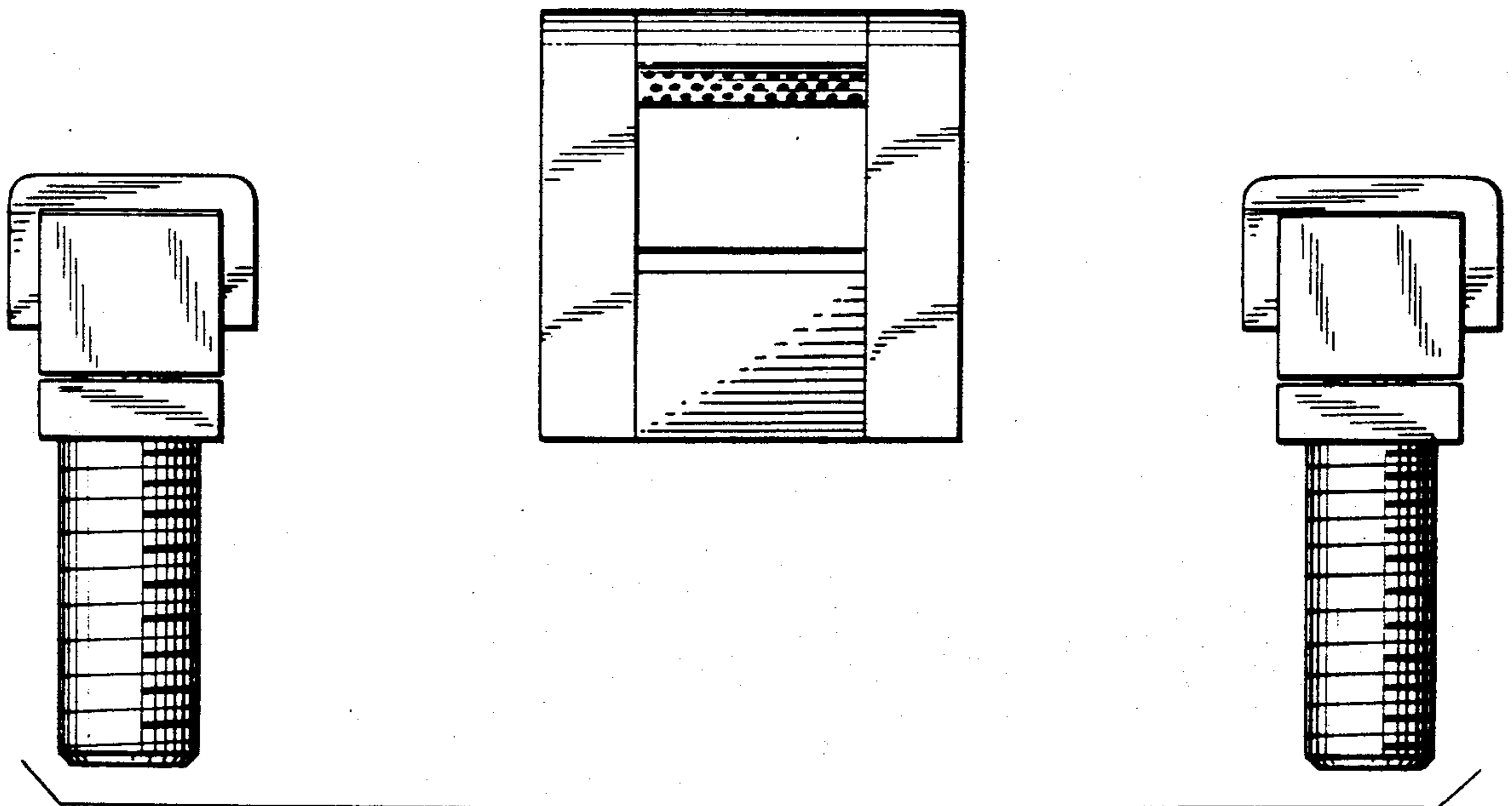
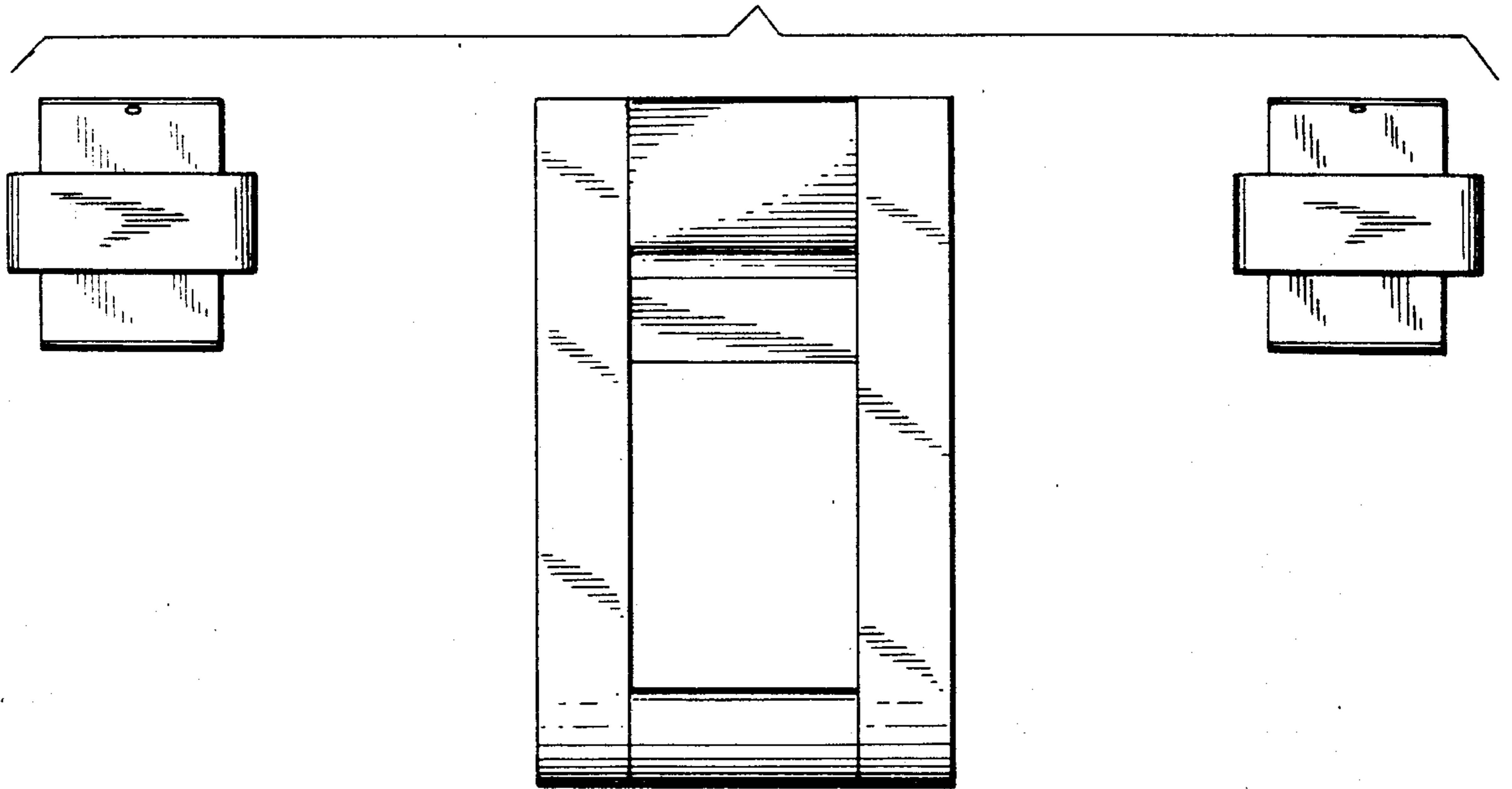


FIG. 4

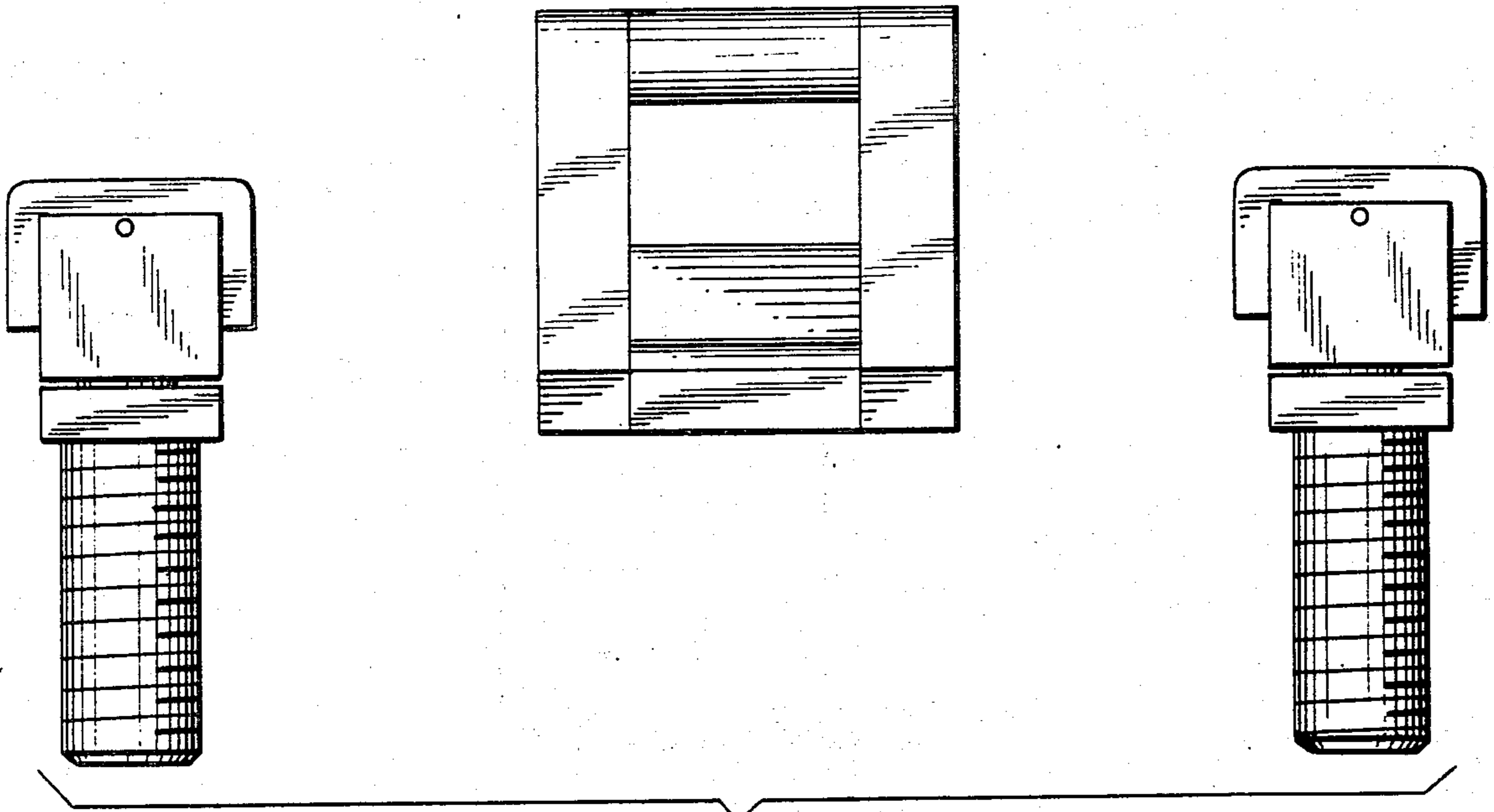


FIG. 6

