

[54] FAUCET SET

[75] Inventor: Franz W. Jans, Offenbach Am Main, Fed. Rep. of Germany

[73] Assignee: Jado Bathroom and Hardware Manufacturing Corp., Camarillo, Calif.

[\*\*] Term: 14 Years

[21] Appl. No.: 804,752

[22] Filed: Nov. 12, 1985

[52] U.S. Cl. .... D23/25

[58] Field of Search ..... D23/23-32; 4/191, 192; 137/801

[56] References Cited

U.S. PATENT DOCUMENTS

D. 268,949	5/1983	Delepine	.....	D23/32
D. 278,458	4/1985	Paul	.....	D23/25
D. 280,232	8/1985	Paul	.....	D23/25
D. 280,437	9/1985	Rademacher	.....	D23/23
D. 287,160	12/1986	Rademacher	.....	D23/25
4,334,328	6/1982	Delepine	.....	4/191

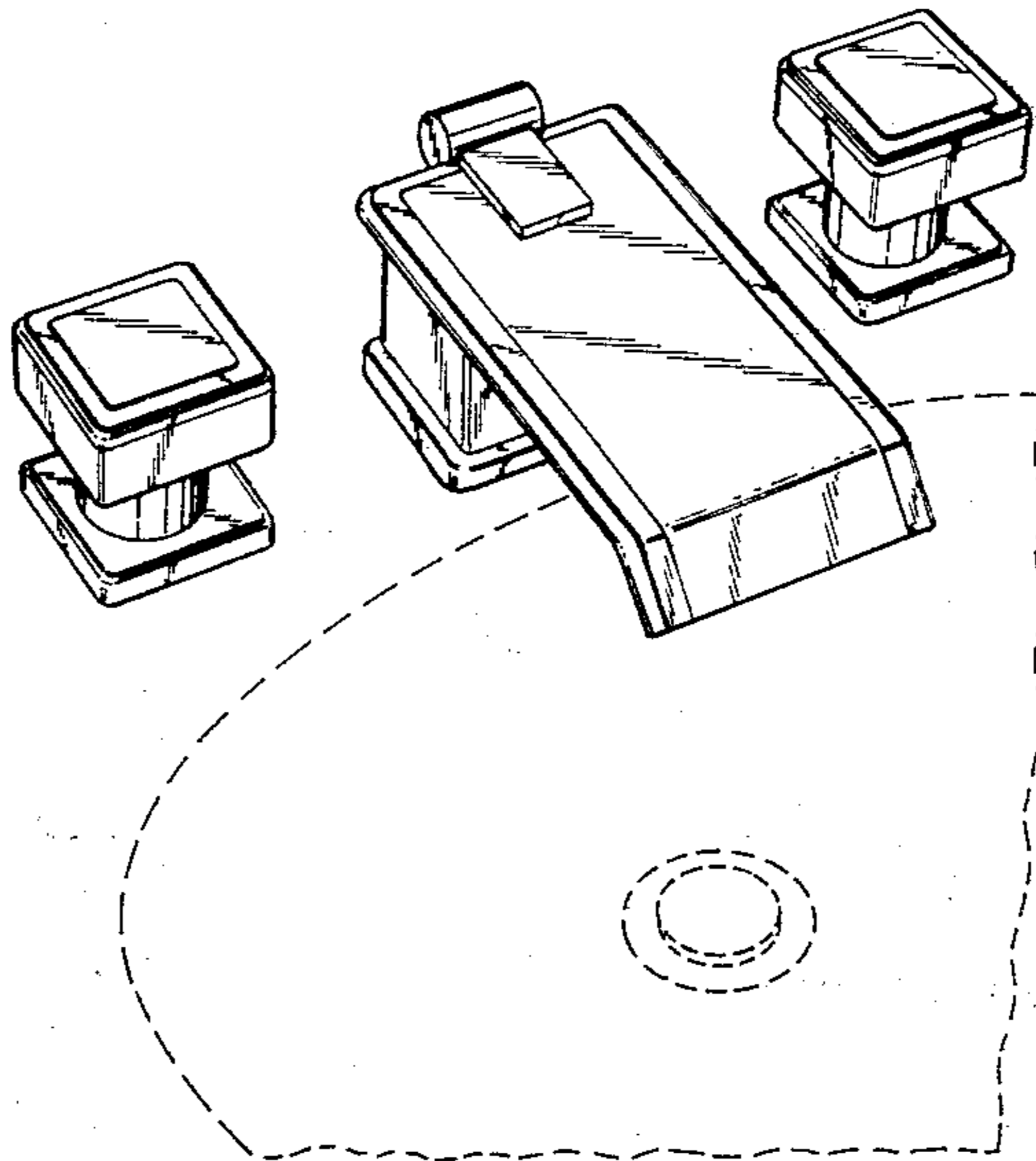
Primary Examiner—James R. Largen  
Attorney, Agent, or Firm—H. Michael Brucker

[57] CLAIM

The ornamental design for a faucet set, as shown and described.

DESCRIPTION

FIG. 1 is a perspective view of a faucet set showing my new design;  
 FIG. 2 is a front elevational view of one handle thereof, the rear and side being the same as the front shown;  
 FIG. 3 is a top plan view of FIG. 2;  
 FIG. 4 is a front elevational view of a modified form of the handle shown in FIG. 2, the right side being the same as the front shown;  
 FIG. 5 is a top plan view of FIG. 4;  
 FIG. 6 is a left side elevational view of FIG. 4;  
 FIG. 7 is a rear elevational view of FIG. 4;  
 FIG. 8 is a left side elevational view of the spout thereof, the right side being a mirror image of the left side shown;  
 FIG. 9 is a top plan view of FIG. 8;  
 FIG. 10 is a front elevational view of FIG. 8;  
 FIG. 11 is a rear elevational view of FIG. 8;  
 FIG. 12 is a bottom plan view of FIG. 8;  
 FIG. 13 is a left side elevational view of a modified form of the spout shown in FIG. 8, the right side being a mirror image of the left side shown;  
 FIG. 14 is a top plan view of FIG. 13;  
 FIG. 15 is a front elevational view of FIG. 13; and  
 FIG. 16 is a rear elevational view of FIG. 13.  
 The broken line representation of a portion of a sink in FIG. 1 is for purposes of illustration only.



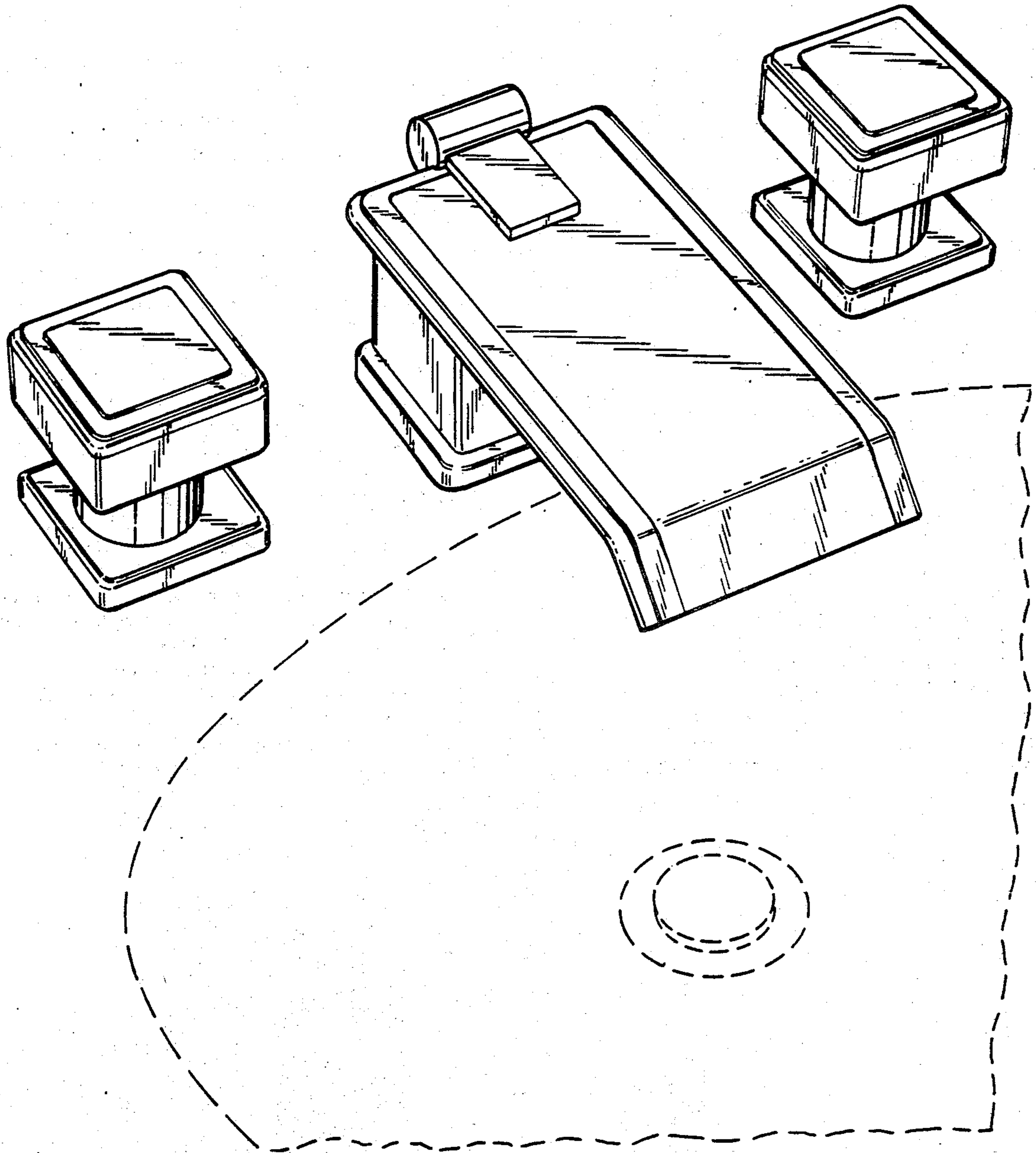


FIG. 1.

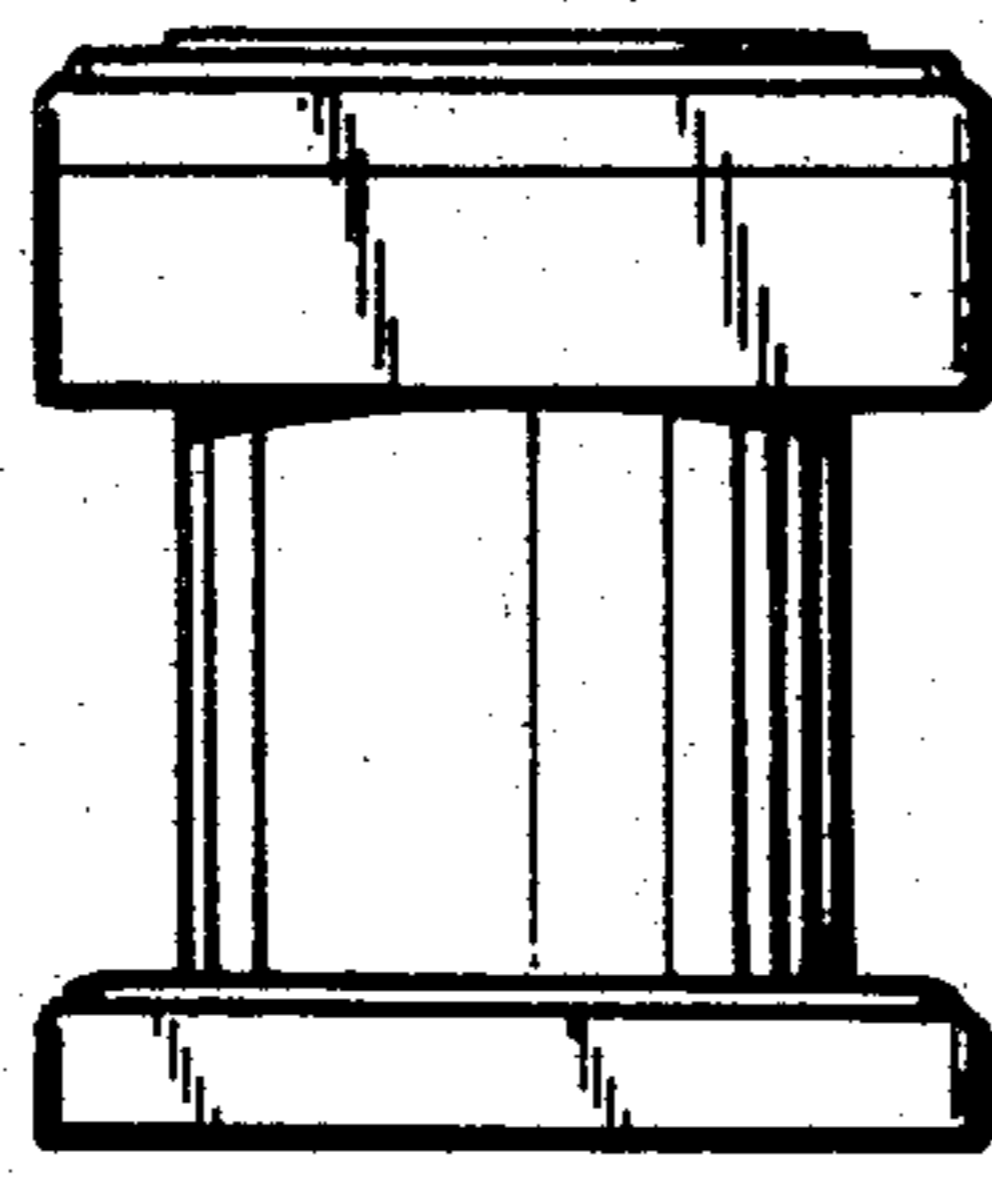


FIG. 2.

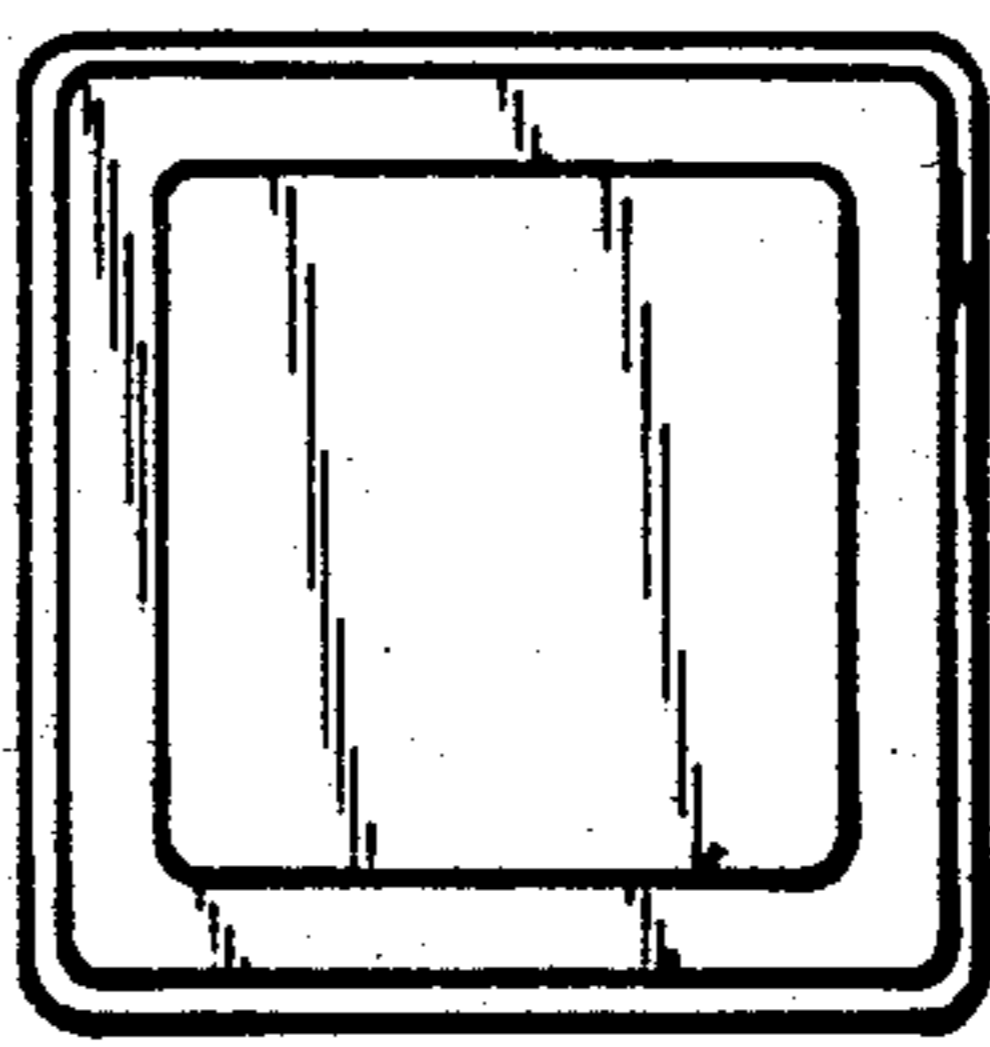


FIG. 3.

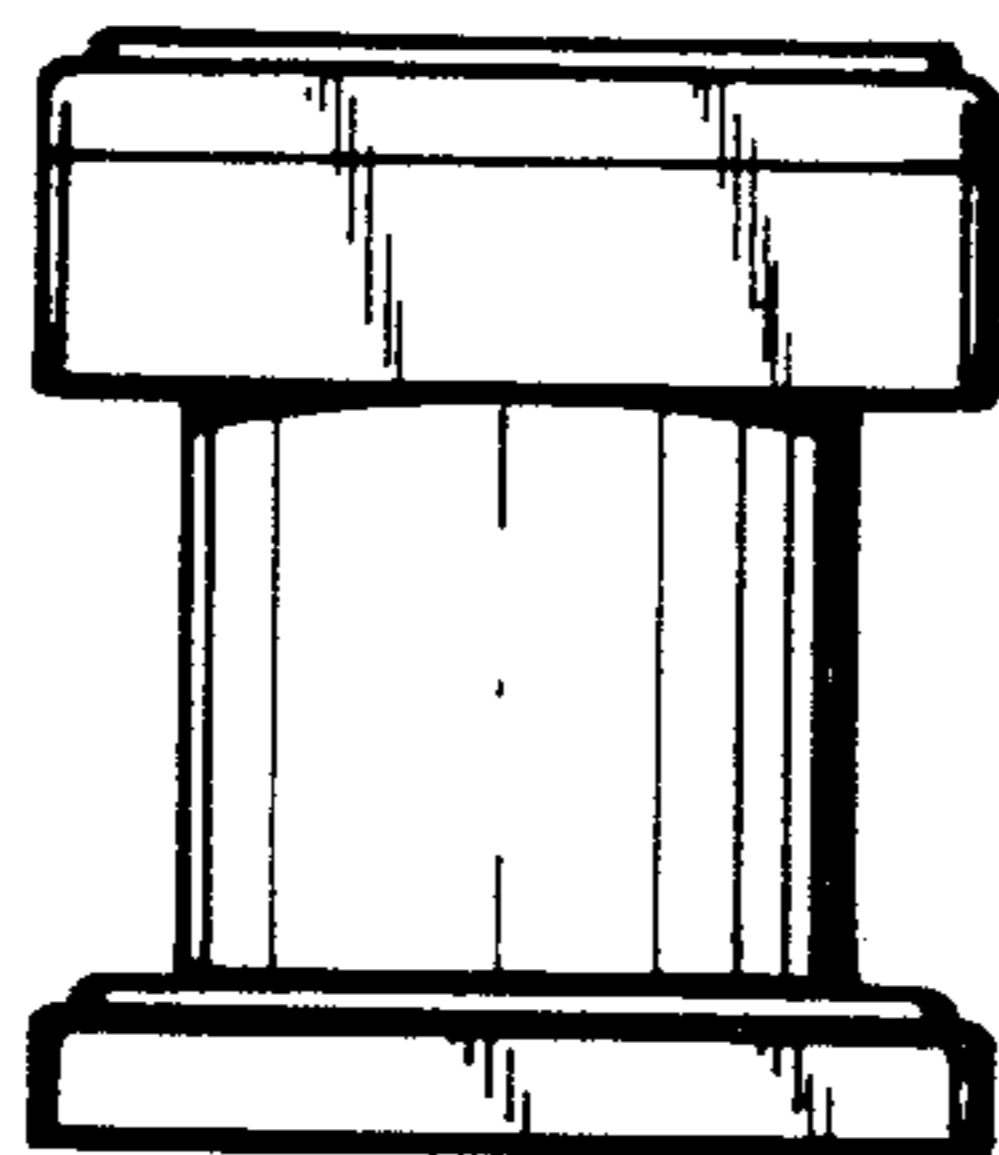


FIG. 4.

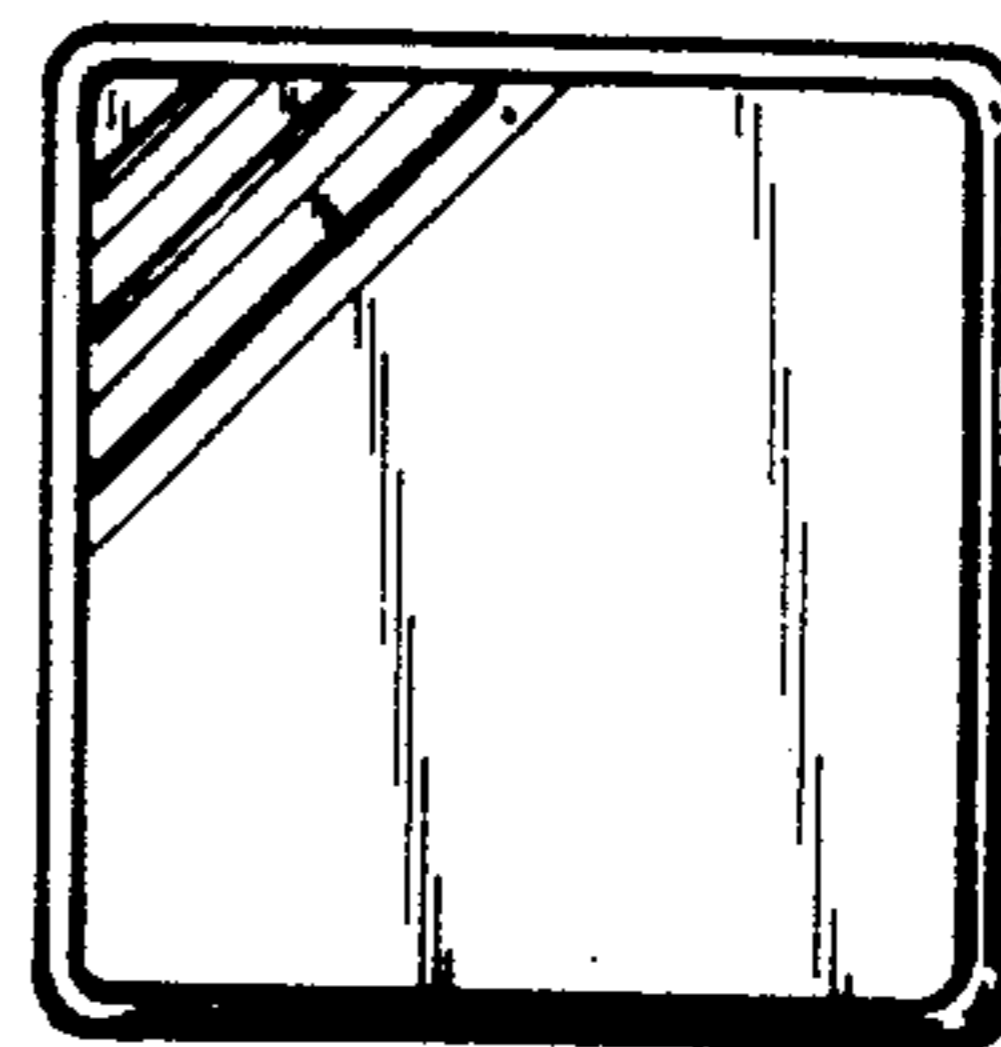


FIG. 5.

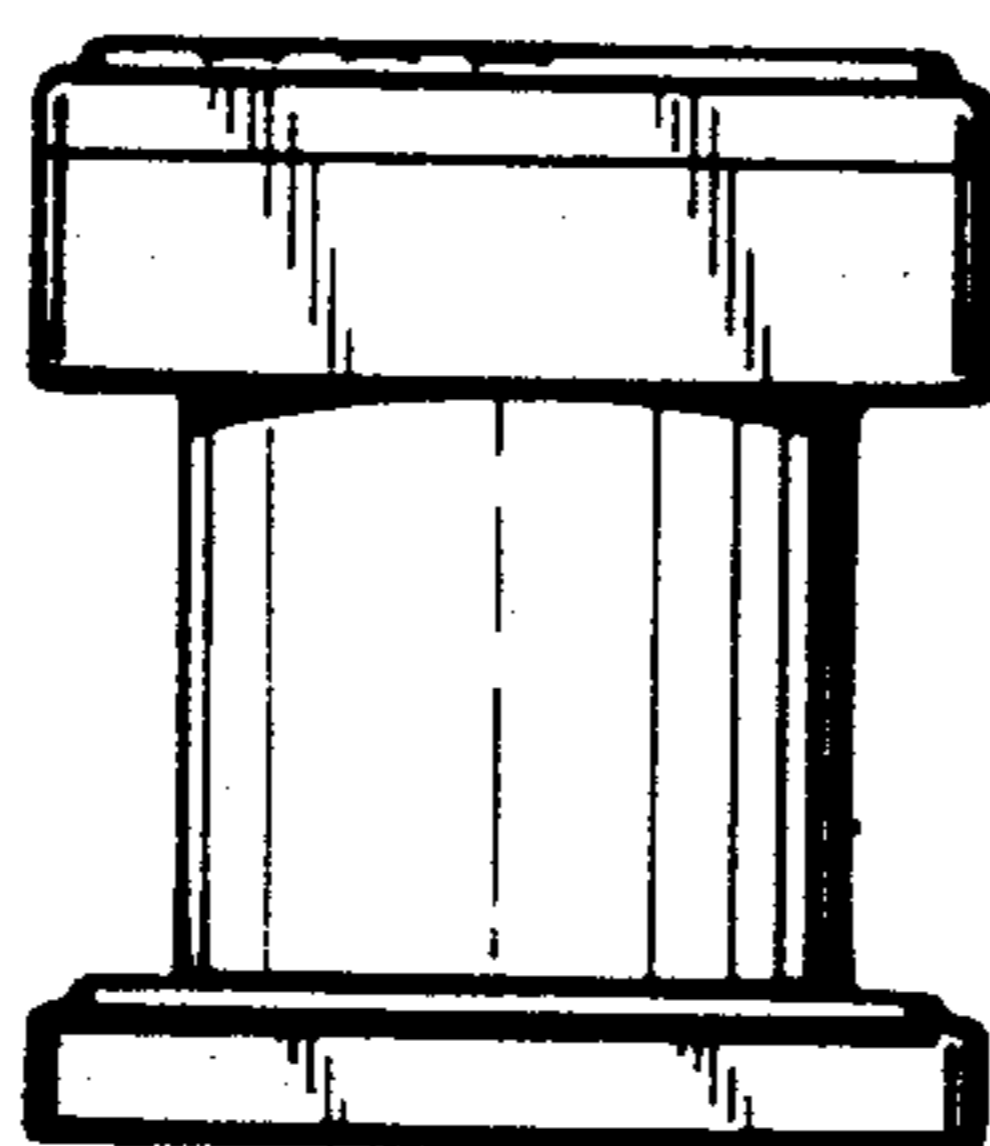


FIG. 6.

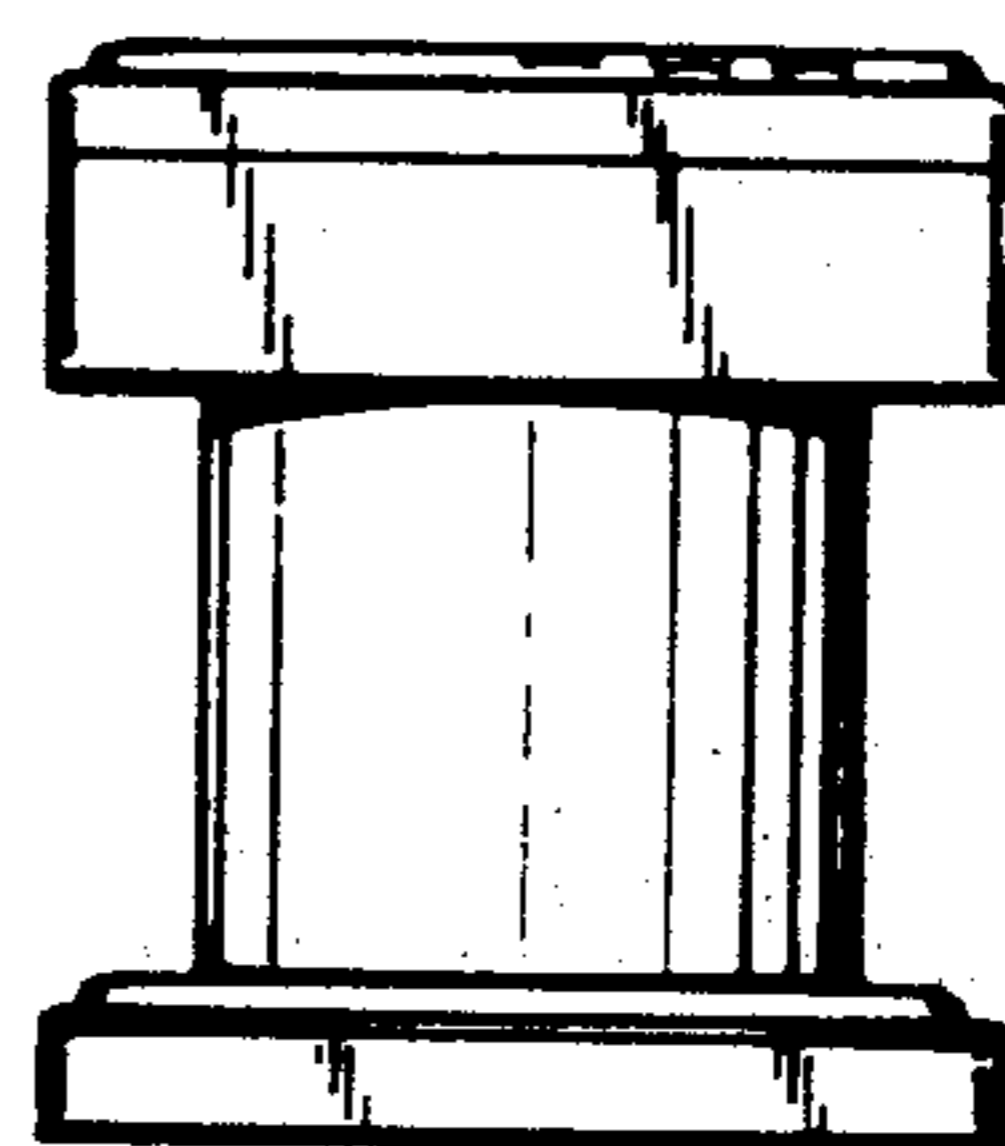


FIG. 7.

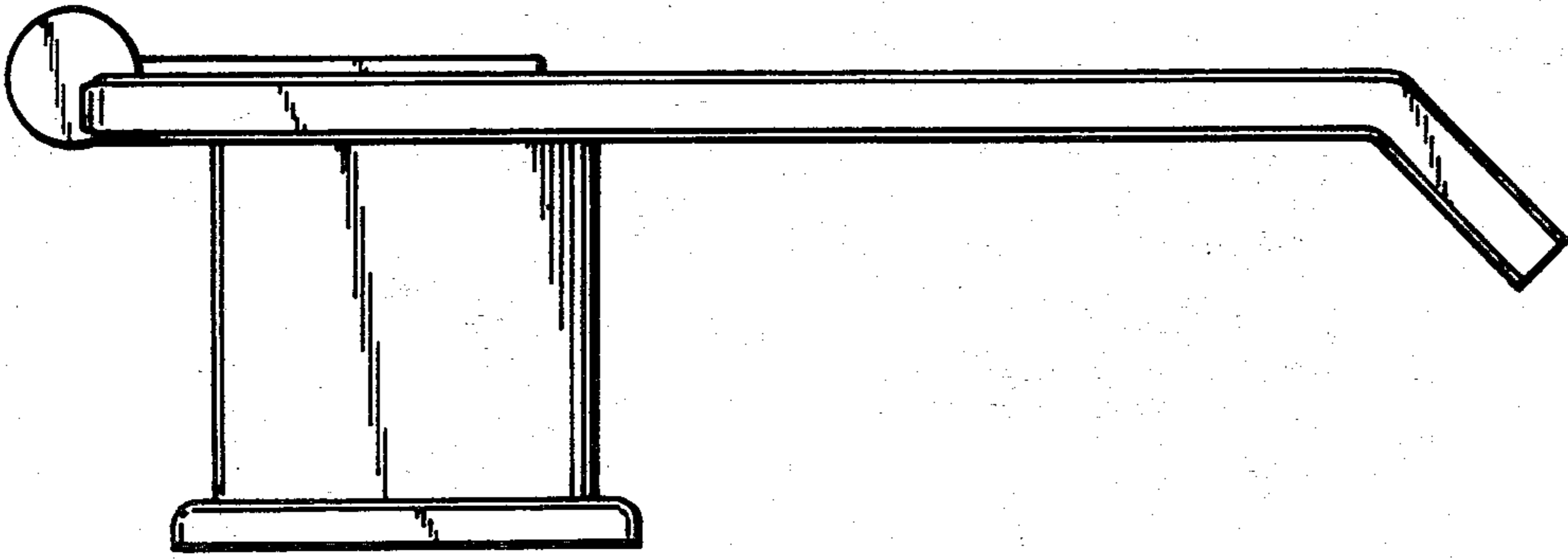


FIG. 8.

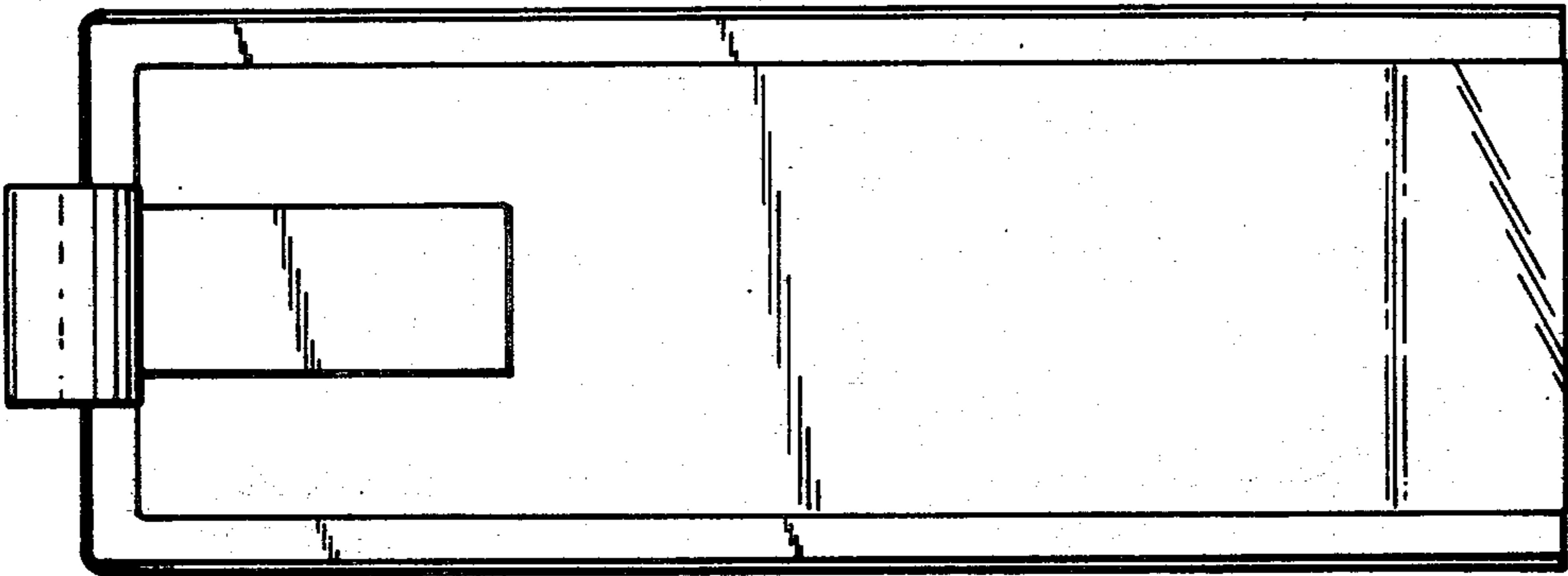


FIG. 9.

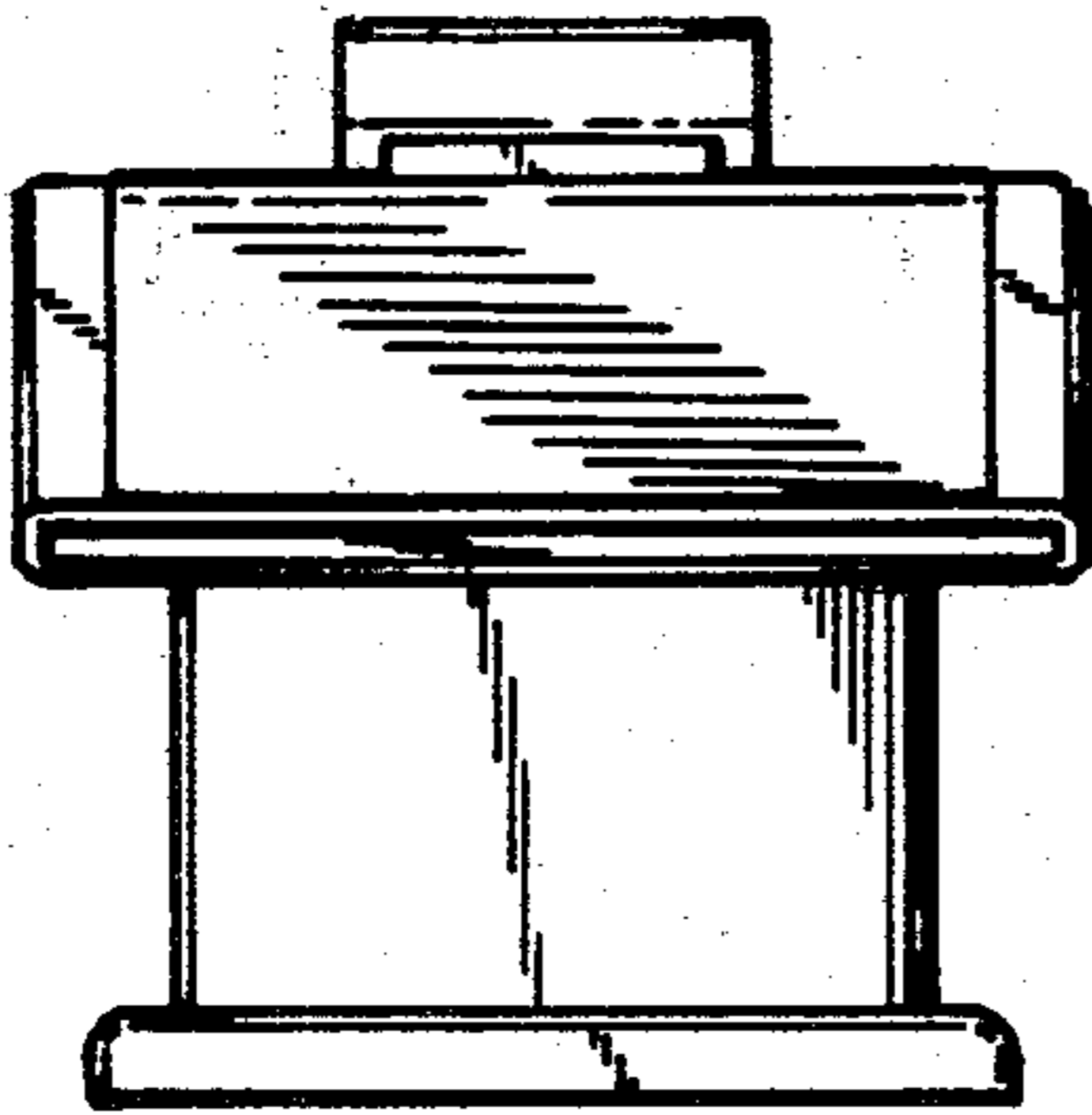


FIG. 10.

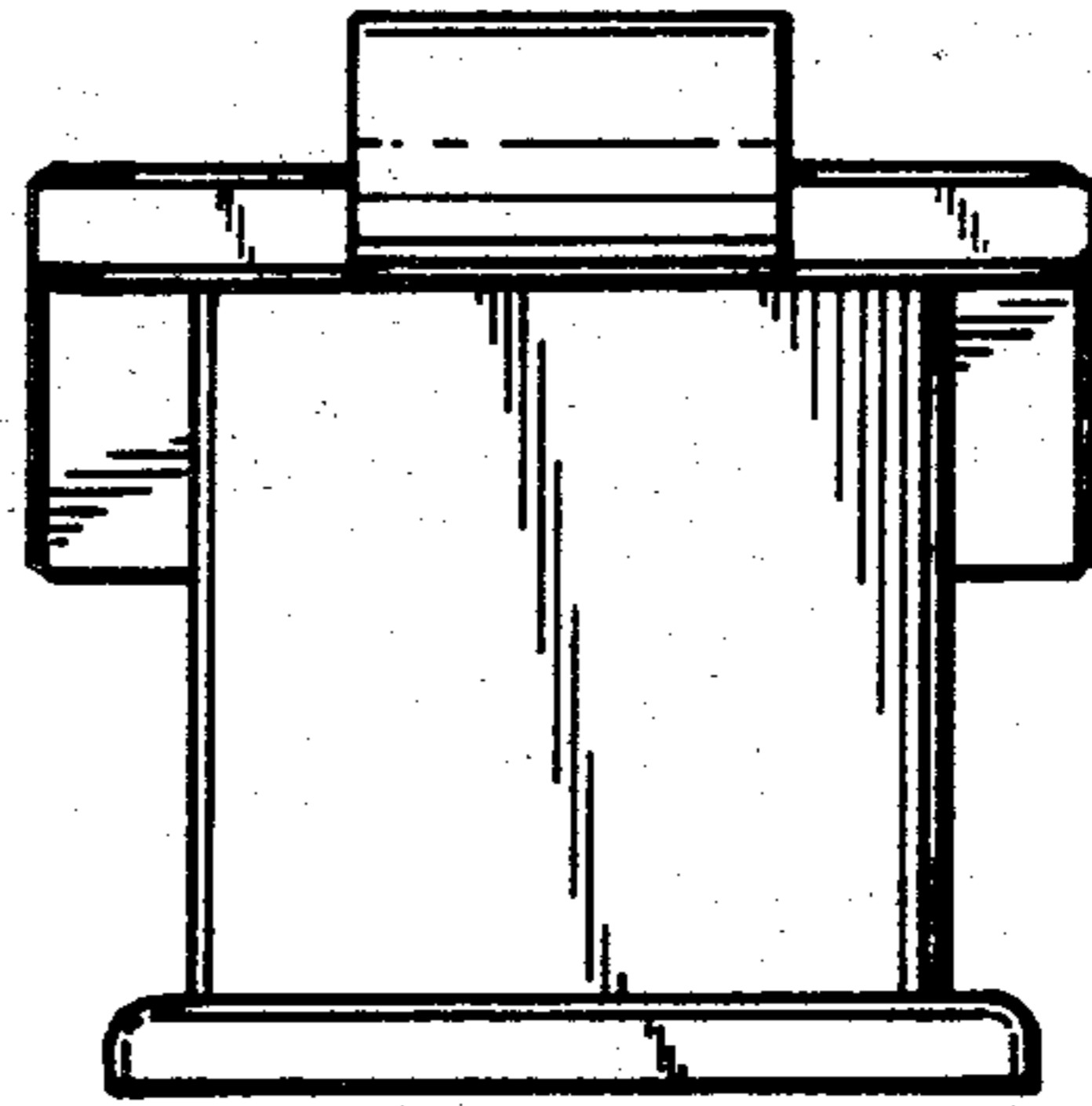


FIG. 11.

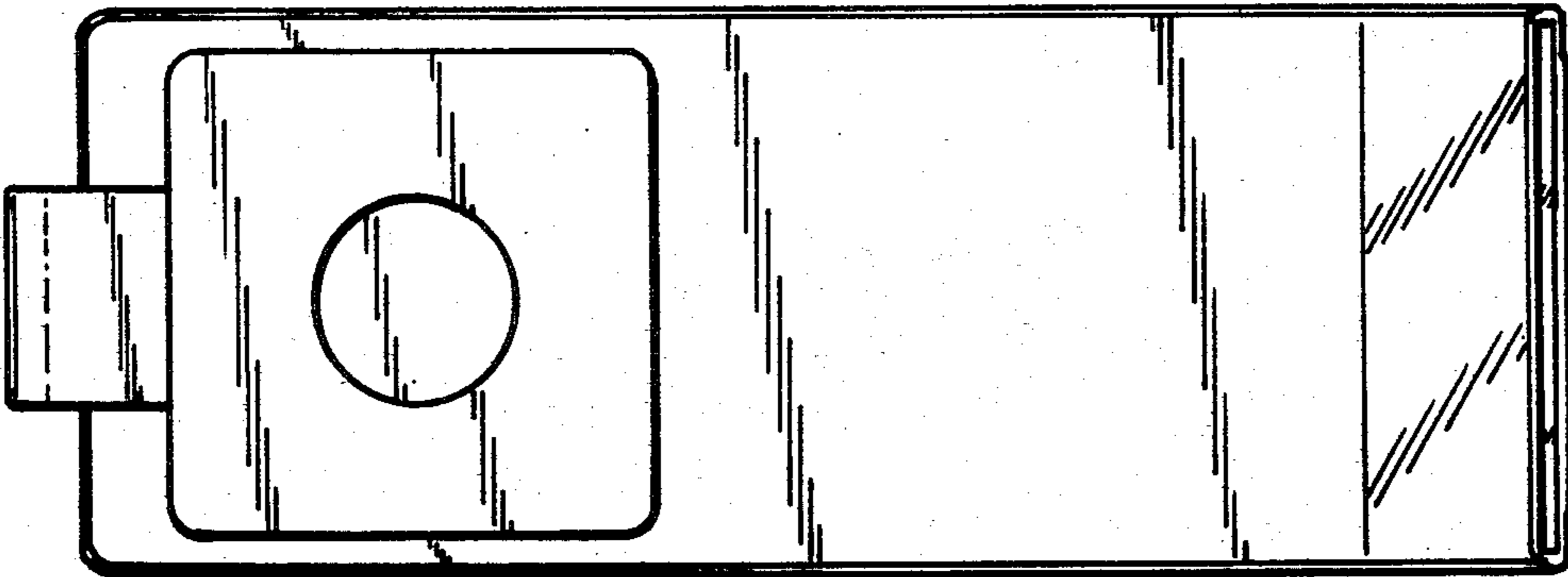


FIG. 12.

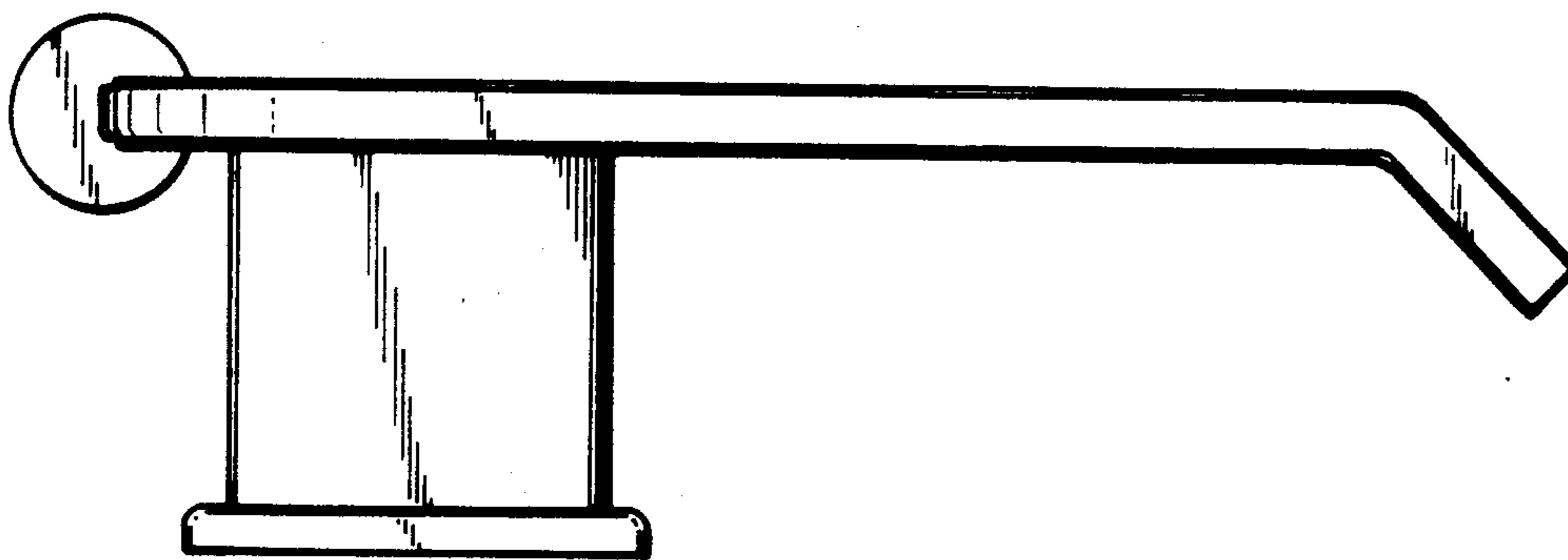


FIG. 13.

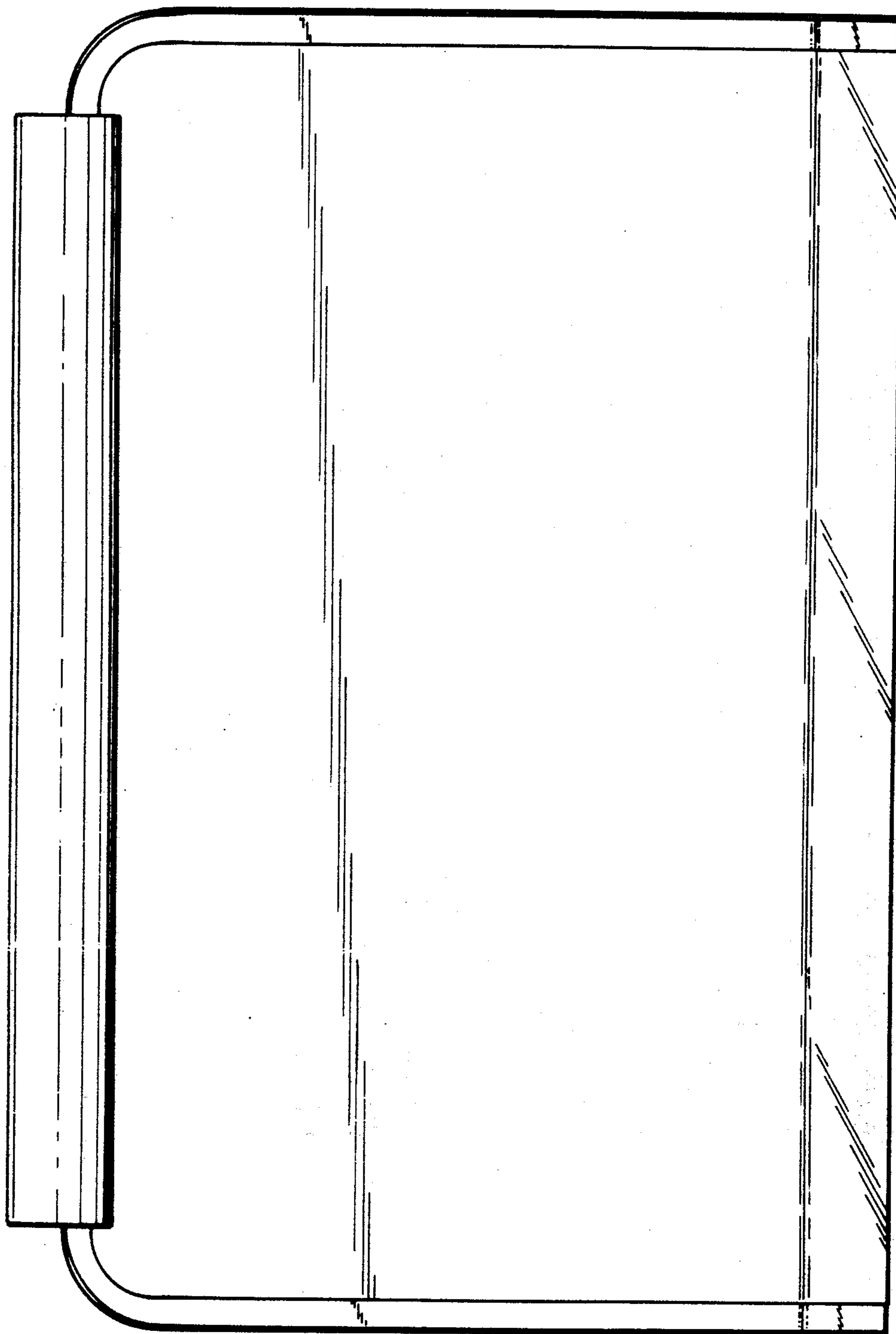


FIG. 14.

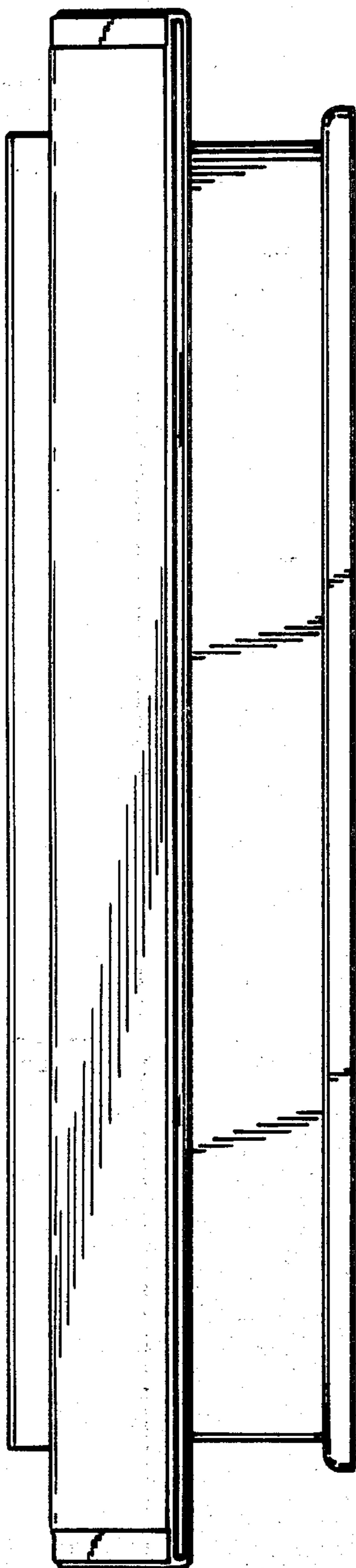


FIG.-15.

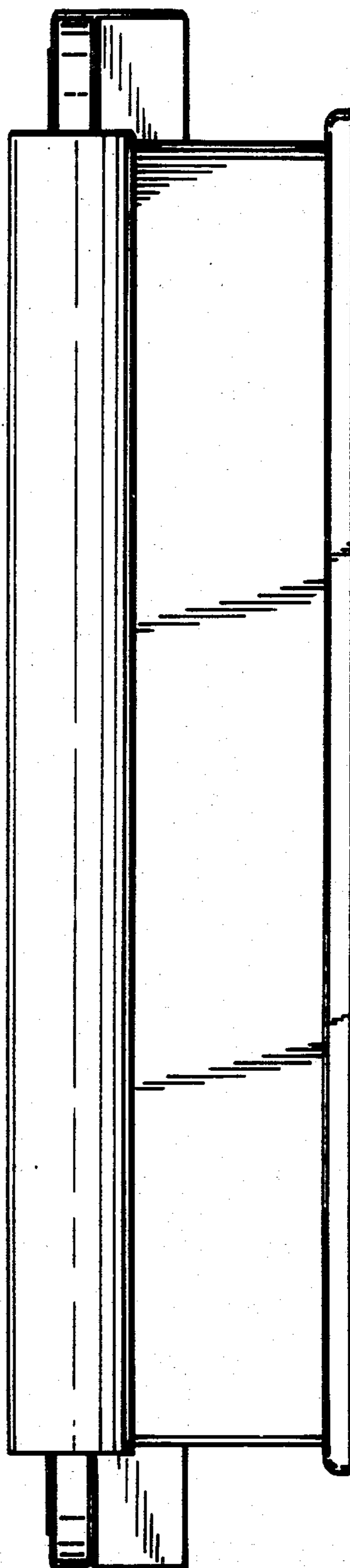


FIG.-16.