

[54] EXERCISE CHAIR

[76] Inventor: Jerry L. Wilson, 485 NW. 170th Dr., Beaverton, Oreg. 97005

[\*\*] Term: 14 Years

[21] Appl. No.: 695,093

[22] Filed: Jan. 25, 1985

[52] U.S. Cl. .... D21/191; D6/335

[58] Field of Search ..... D6/333, 335, 379; D21/191-199; 272/143, 144, 125, 134, 136

[56] References Cited

U.S. PATENT DOCUMENTS

D. 81,313	6/1930	Whitman	.....	D6/379
D. 224,860	10/1972	Leitch et al.	.....	D6/335
D. 243,569	3/1977	Lieding et al.	.....	D6/333
D. 281,553	12/1985	Glawe	.....	D6/333
4,478,411	10/1984	Baldwin	.....	272/134

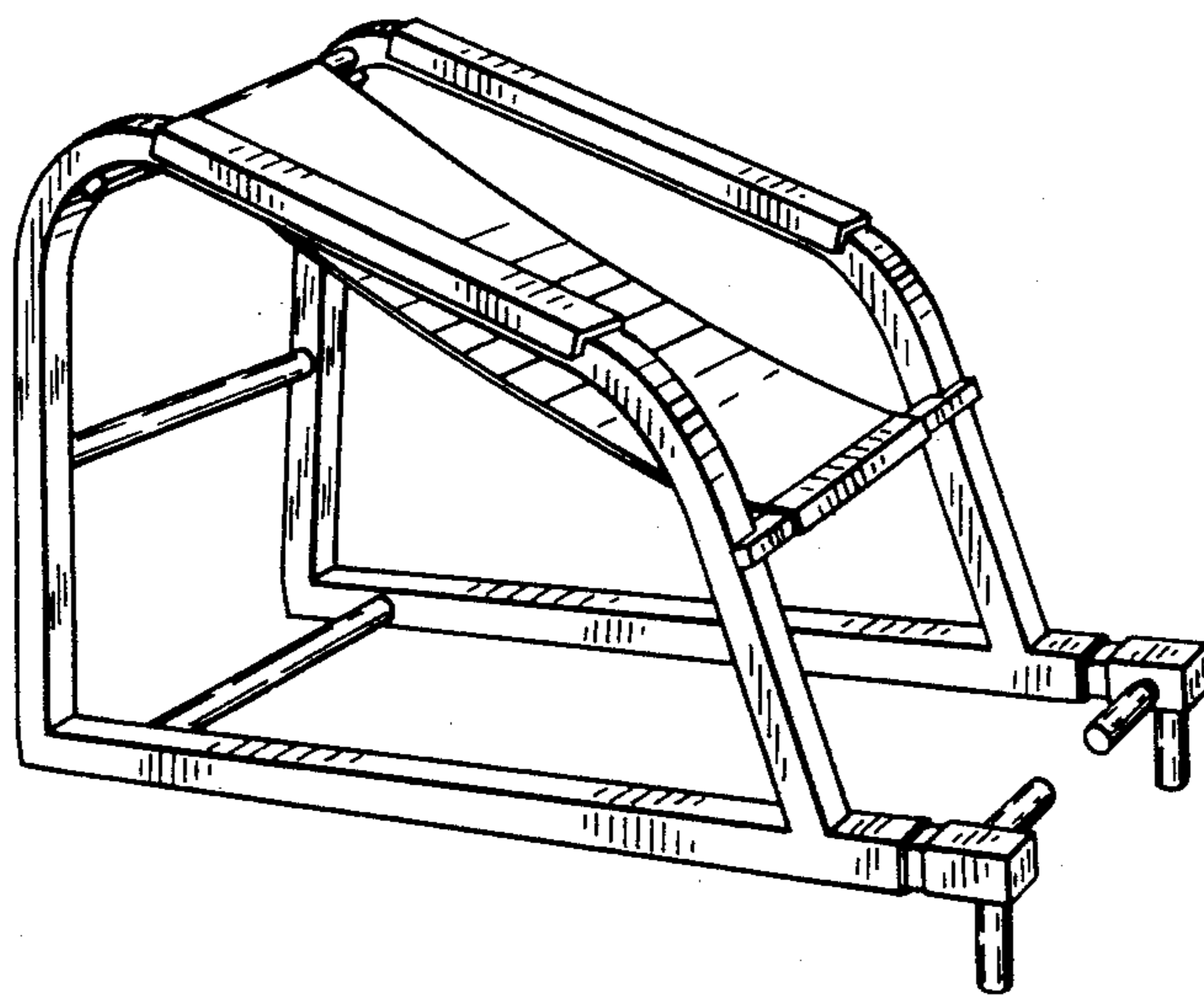
Primary Examiner—Charles A. Rademaker  
Attorney, Agent, or Firm—Chernoff, Vilhauer, McClung & Stenzel

[57] CLAIM

The ornamental design for an exercise chair, as shown and described.

DESCRIPTION

FIG. 1 is a perspective view of an exercise chair showing my new design;  
FIG. 2 is a top plan view thereof;  
FIG. 3 is a right side elevational view thereof, the left side being a mirror image thereof;  
FIG. 4 is a bottom plan view thereof;  
FIG. 5 is a front elevational view thereof;  
FIG. 6 is a rear elevational view thereof; and  
FIG. 7 is a perspective view of the exercise chair rotated ninety degrees with its legs shown in an extended position.



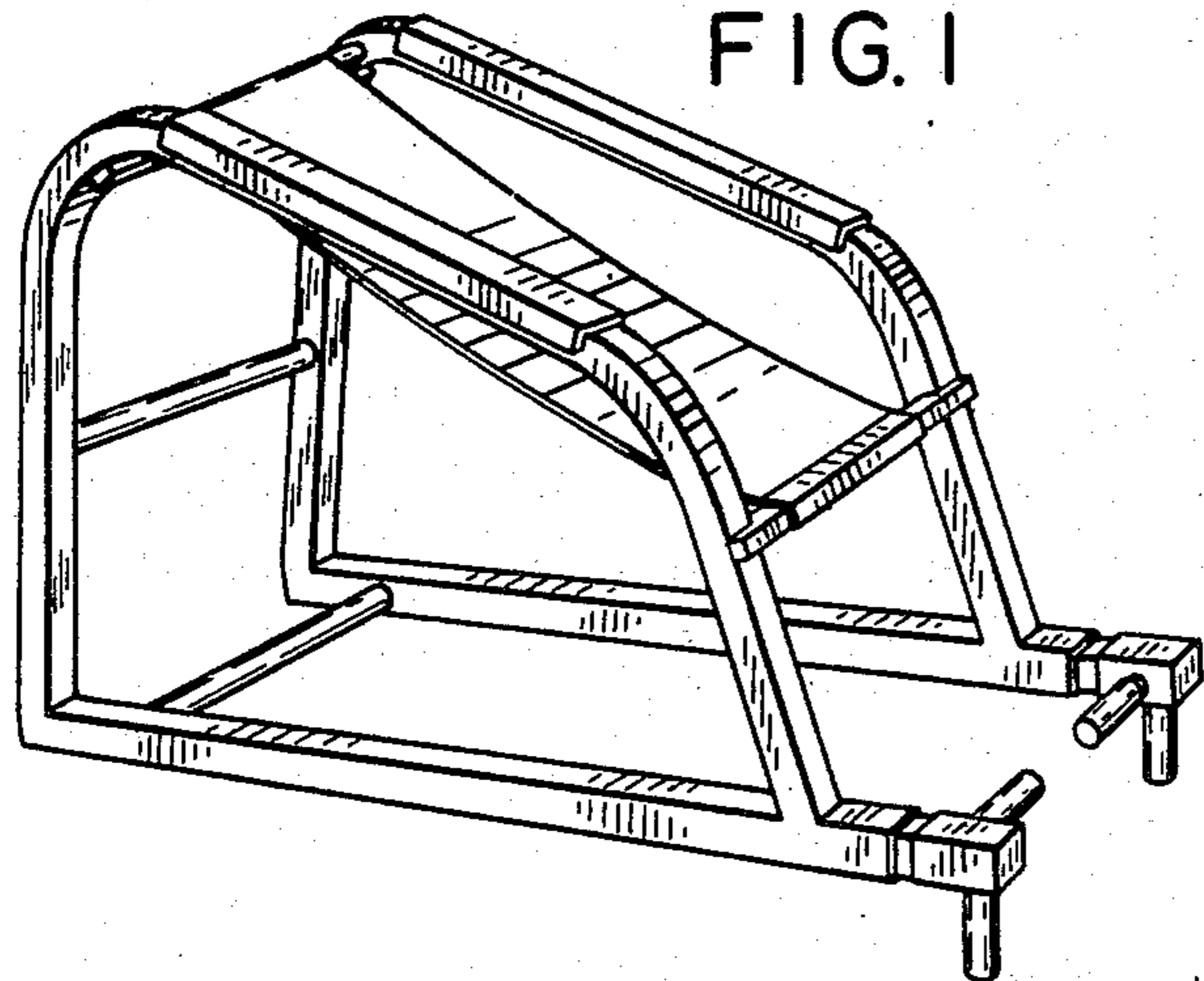


FIG. 2

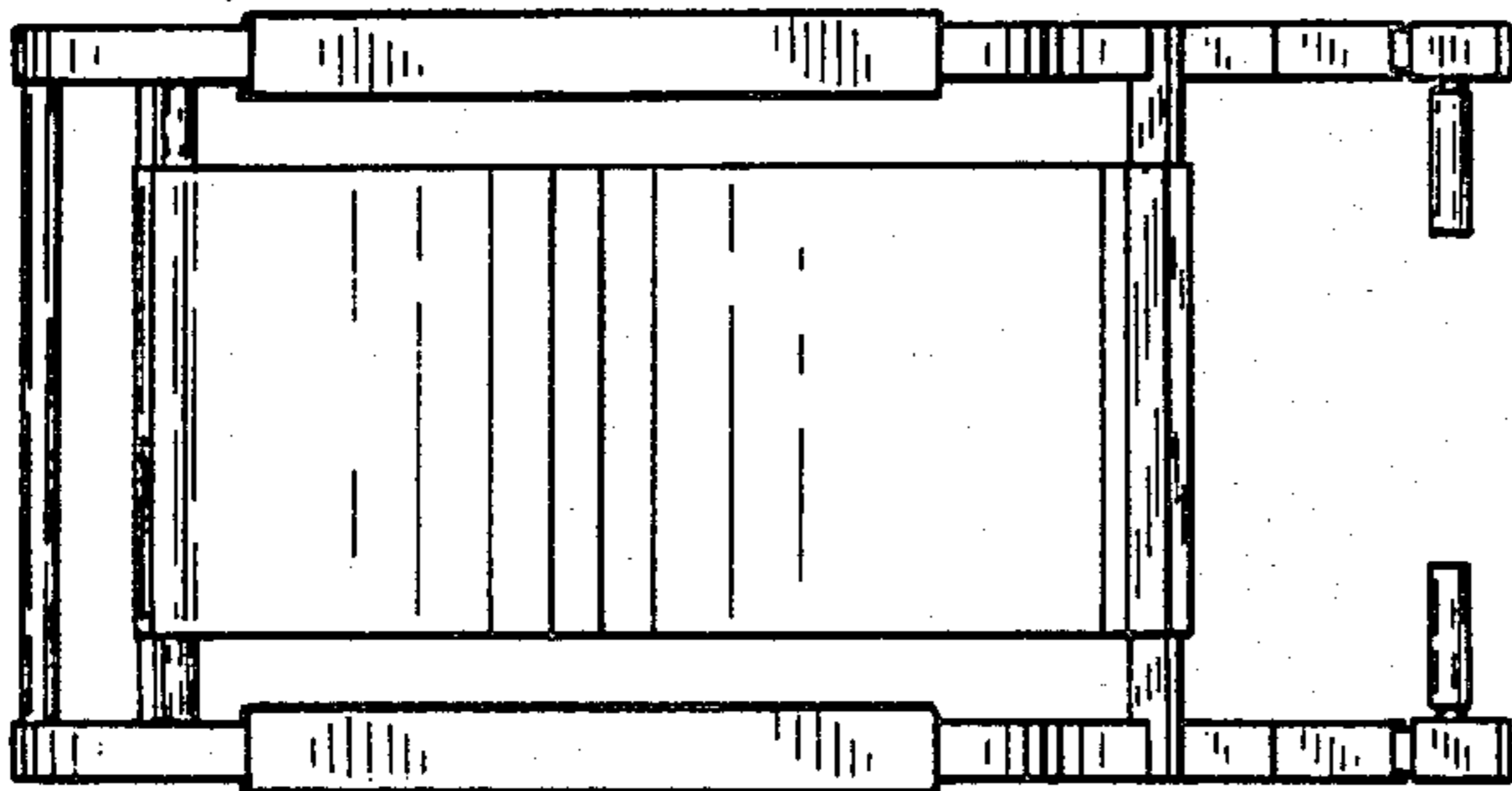


FIG. 3

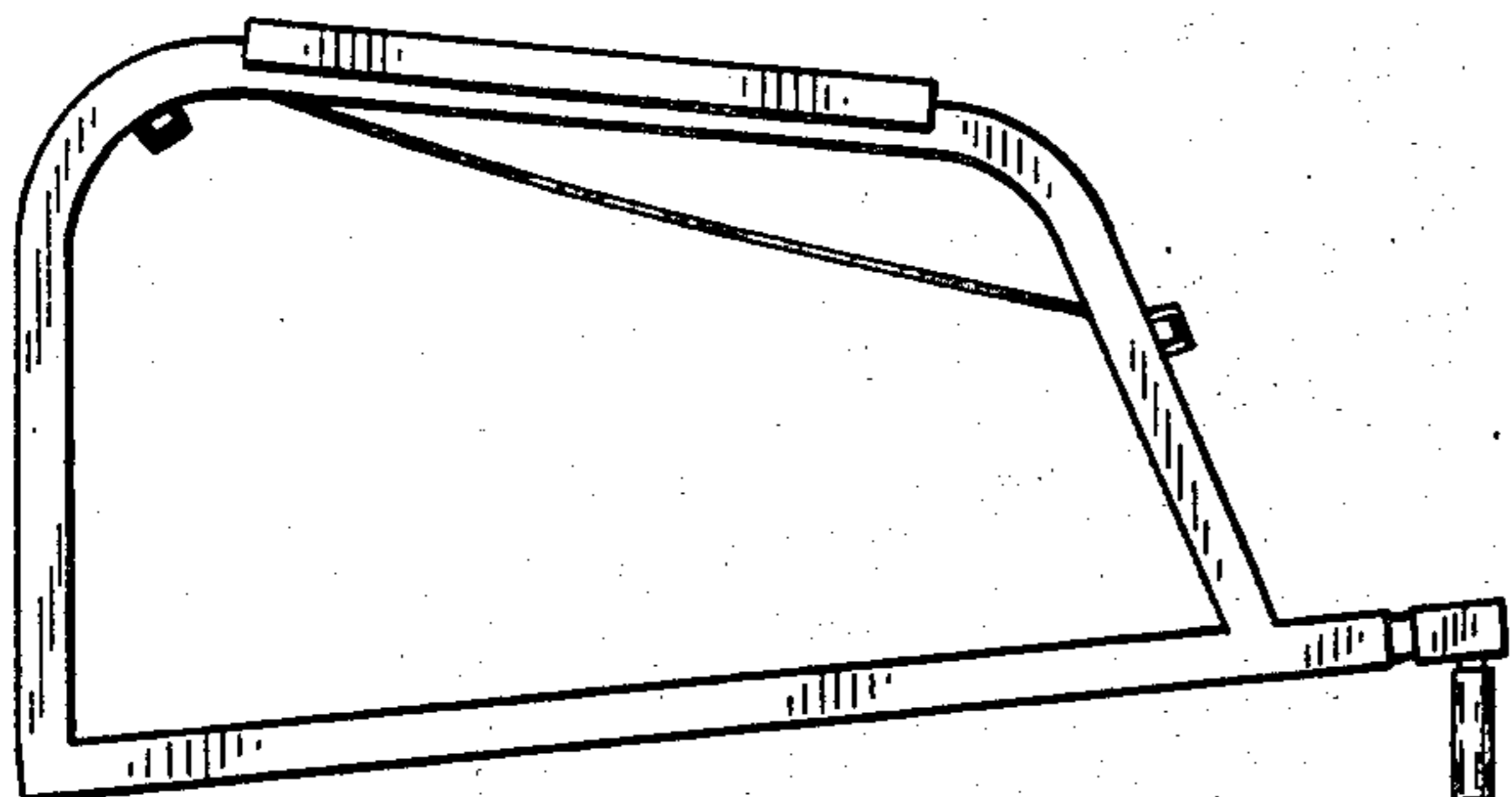


FIG. 4

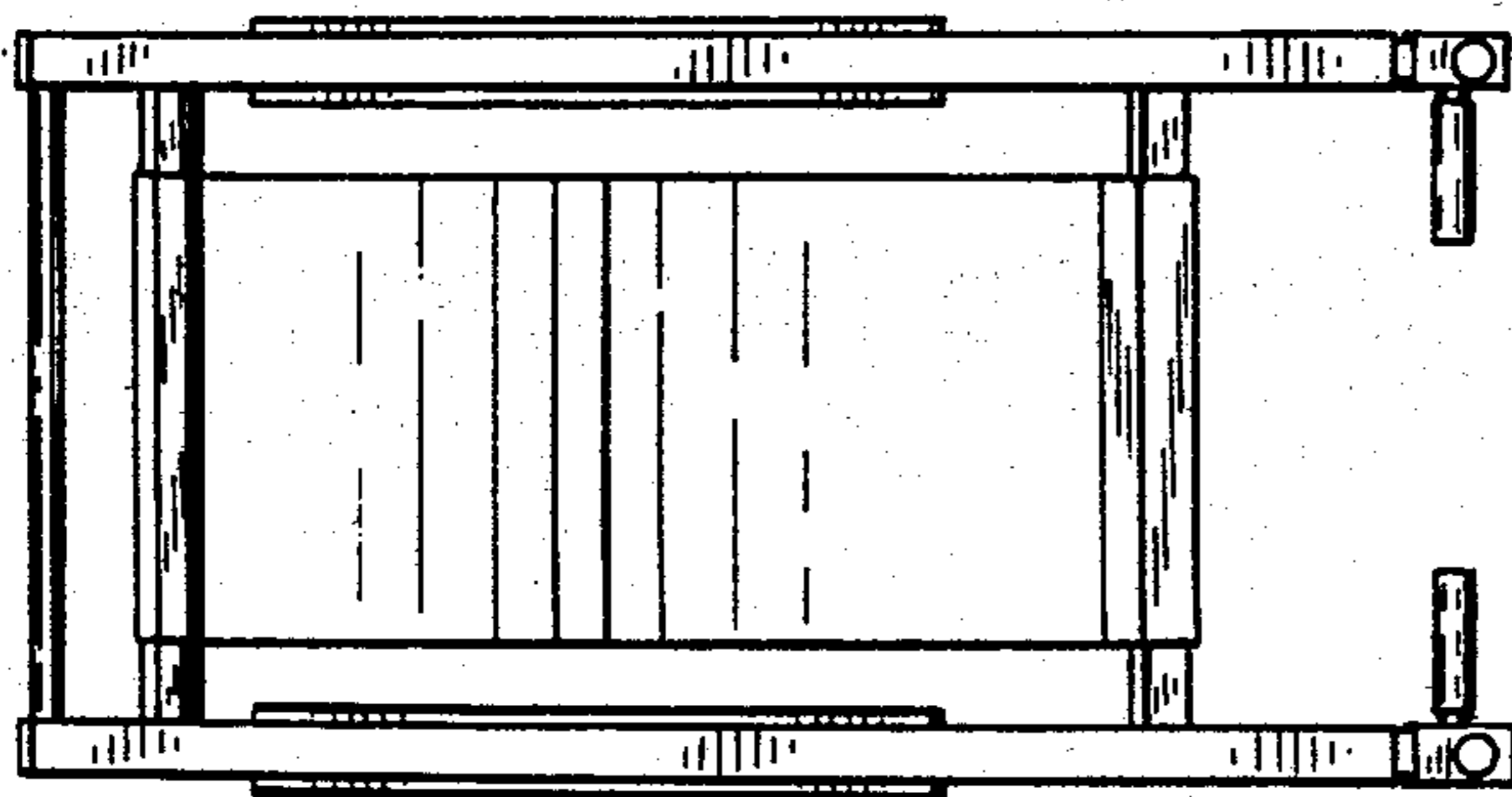


FIG. 7

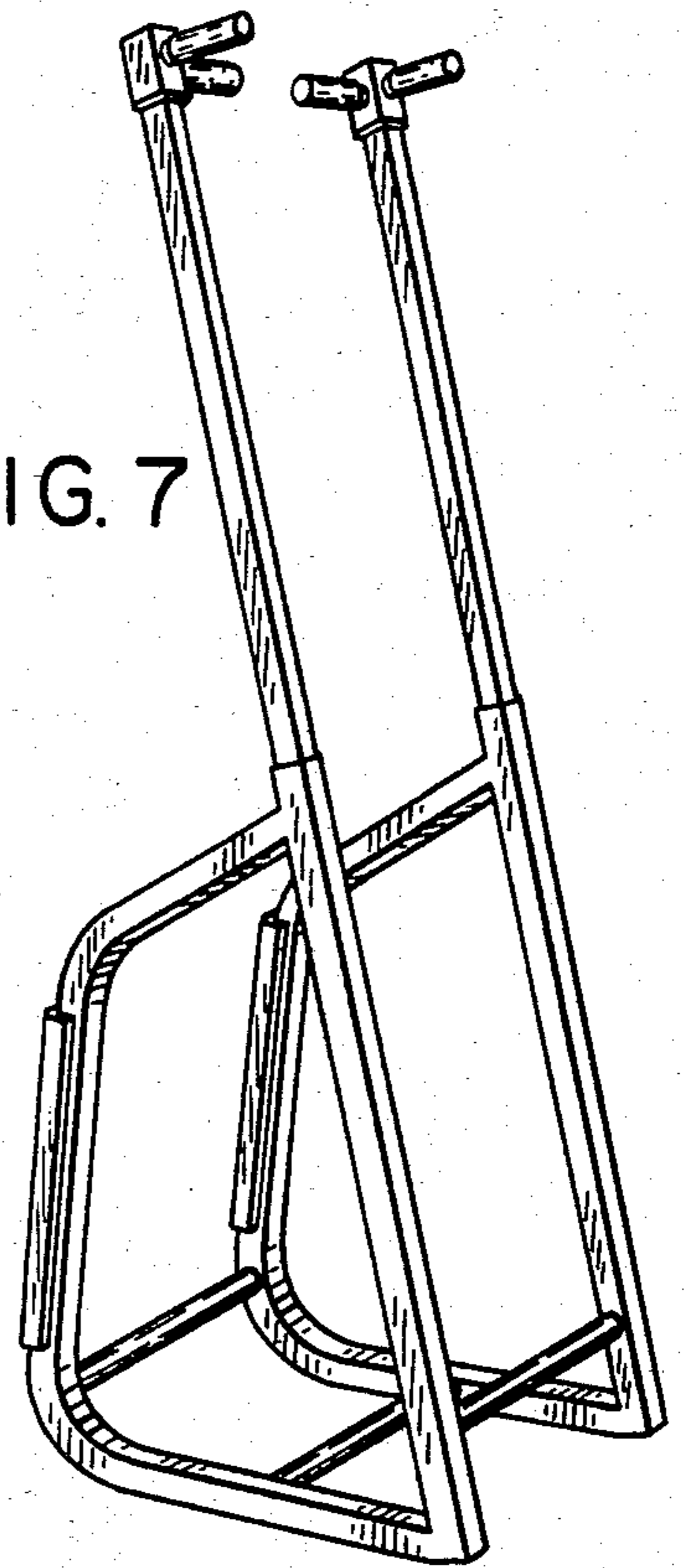


FIG. 5

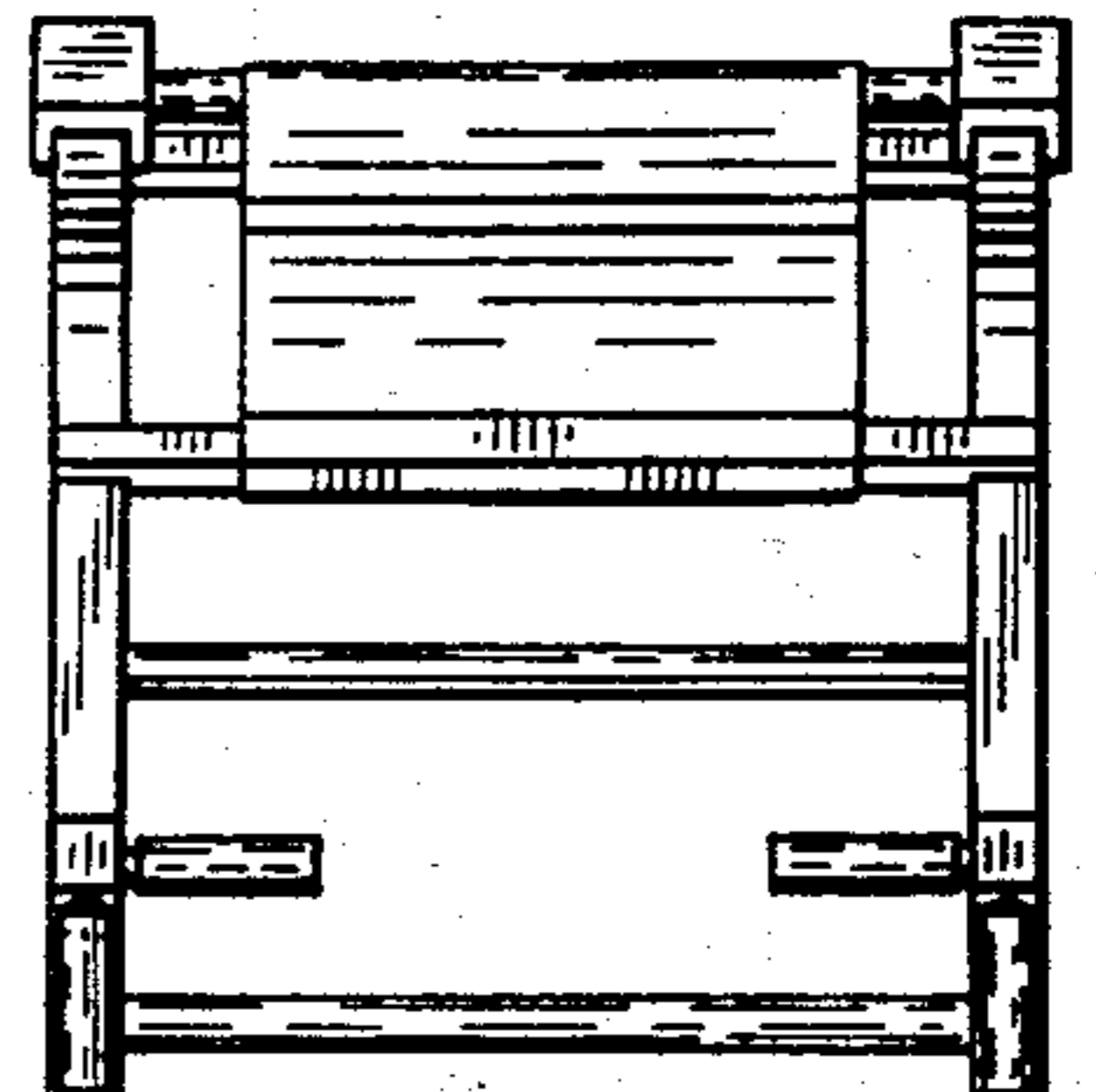


FIG. 6

