

United States Patent [19]

Horiuchi

[11] Patent Number: **Des. 290,146**

[45] Date of Patent: **** Jun. 2, 1987**

[54] TOY ROBOT

3,728,815 4/1973 Tomiyama 446/291

[75] Inventor: **Hiroshi Horiuchi**, Tokyo, Japan

[73] Assignee: **Tomy Kogyo, Co. Inc.**, Tokyo, Japan

[**] Term: **14 Years**

[21] Appl. No.: **682,705**

[22] Filed: **Dec. 17, 1984**

[52] U.S. Cl. **D21/150**

[58] Field of Search **D21/150; 446/269, 271, 446/272, 290-292, 353; 901/1**

[56]

References Cited

U.S. PATENT DOCUMENTS

3,103,762 9/1963 Glass et al. D21/150
3,648,408 3/1972 Terzian et al. 446/291

OTHER PUBLICATIONS

Hong Kong Toys, 1982, p. 144, lower right, Robot.

Primary Examiner—Melvin B. Feifer

Attorney, Agent, or Firm—Herb Boswell

[57] CLAIM

The ornamental design for a toy robot, substantially as shown and described.

DESCRIPTION

FIG. 1 is a front elevational view of my new design for toy robot;

FIG. 2 is a left side elevational view thereof;

FIG. 3 is a rear elevational view thereof;

FIG. 4 is a top plan view thereof; and

FIG. 5 is a bottom plan view thereof.

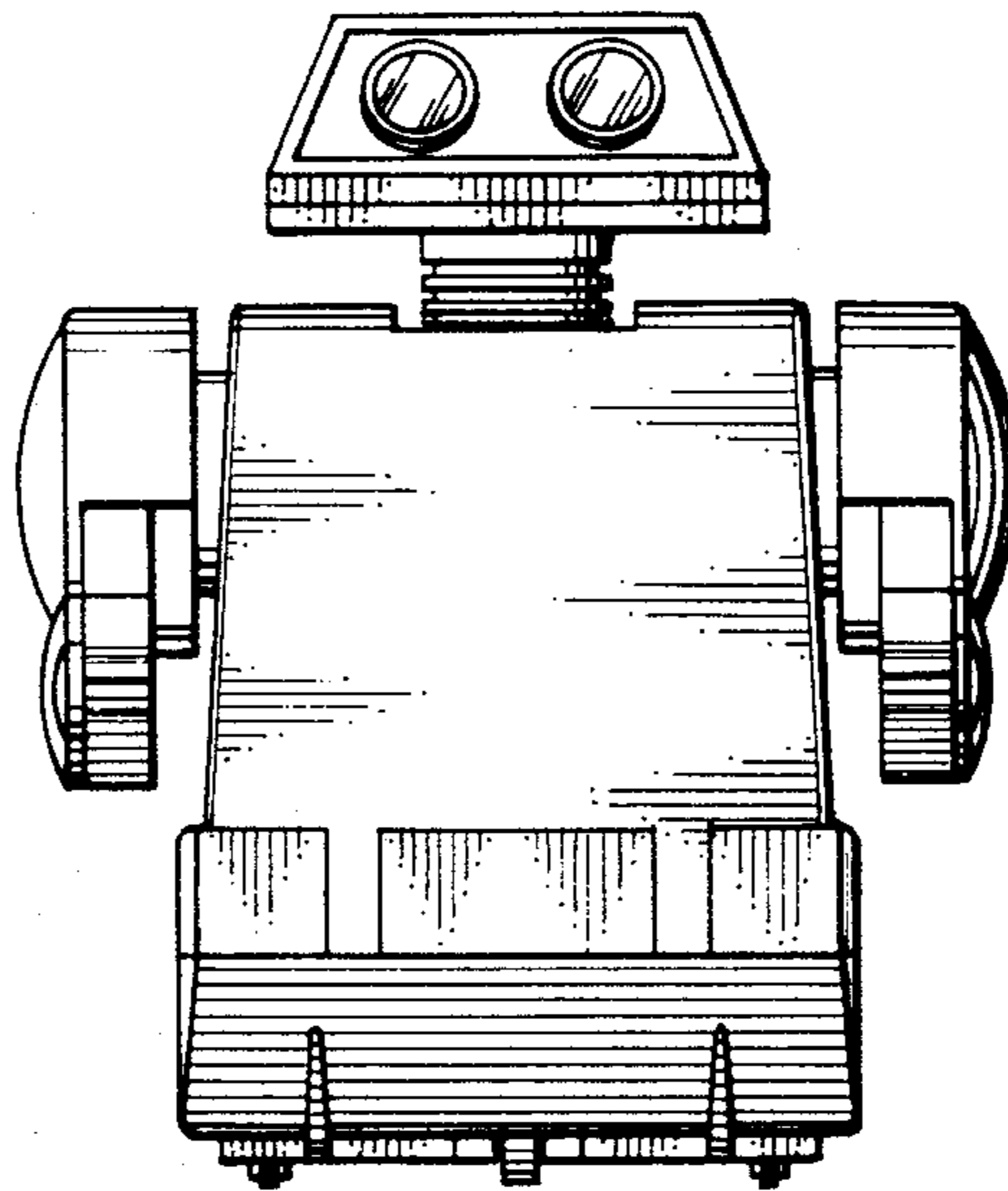


FIG. 1.

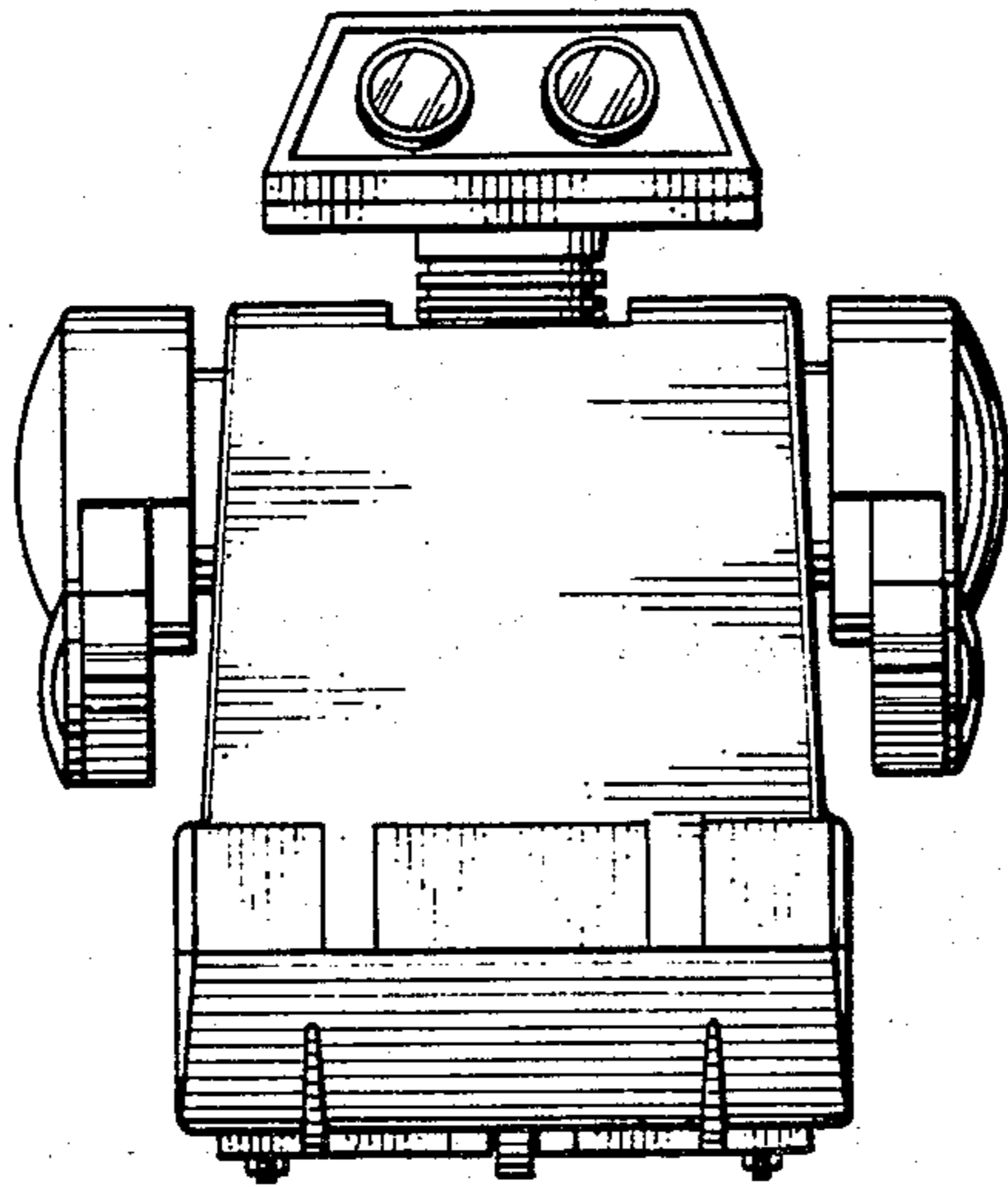


FIG. 2.

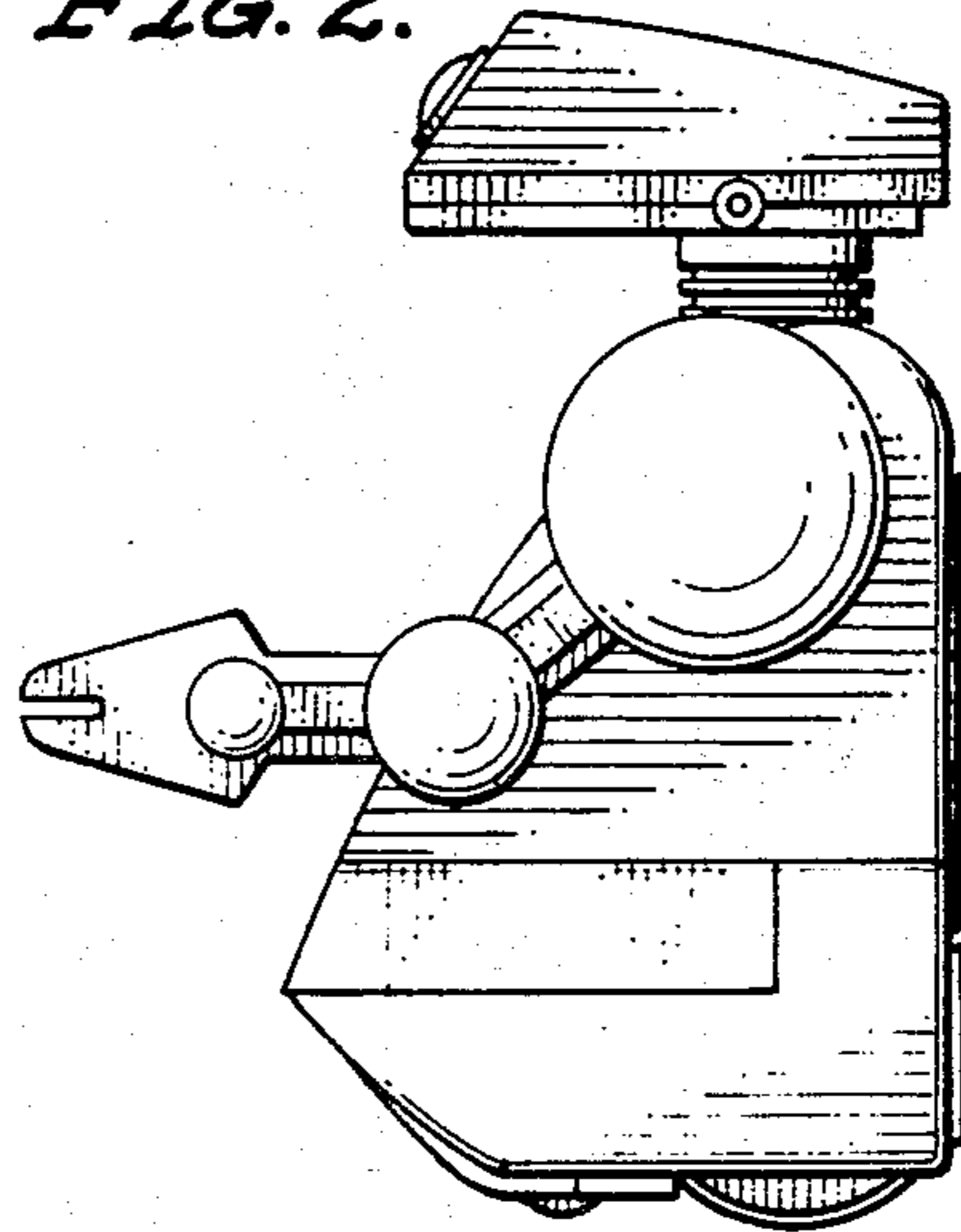


FIG. 3.

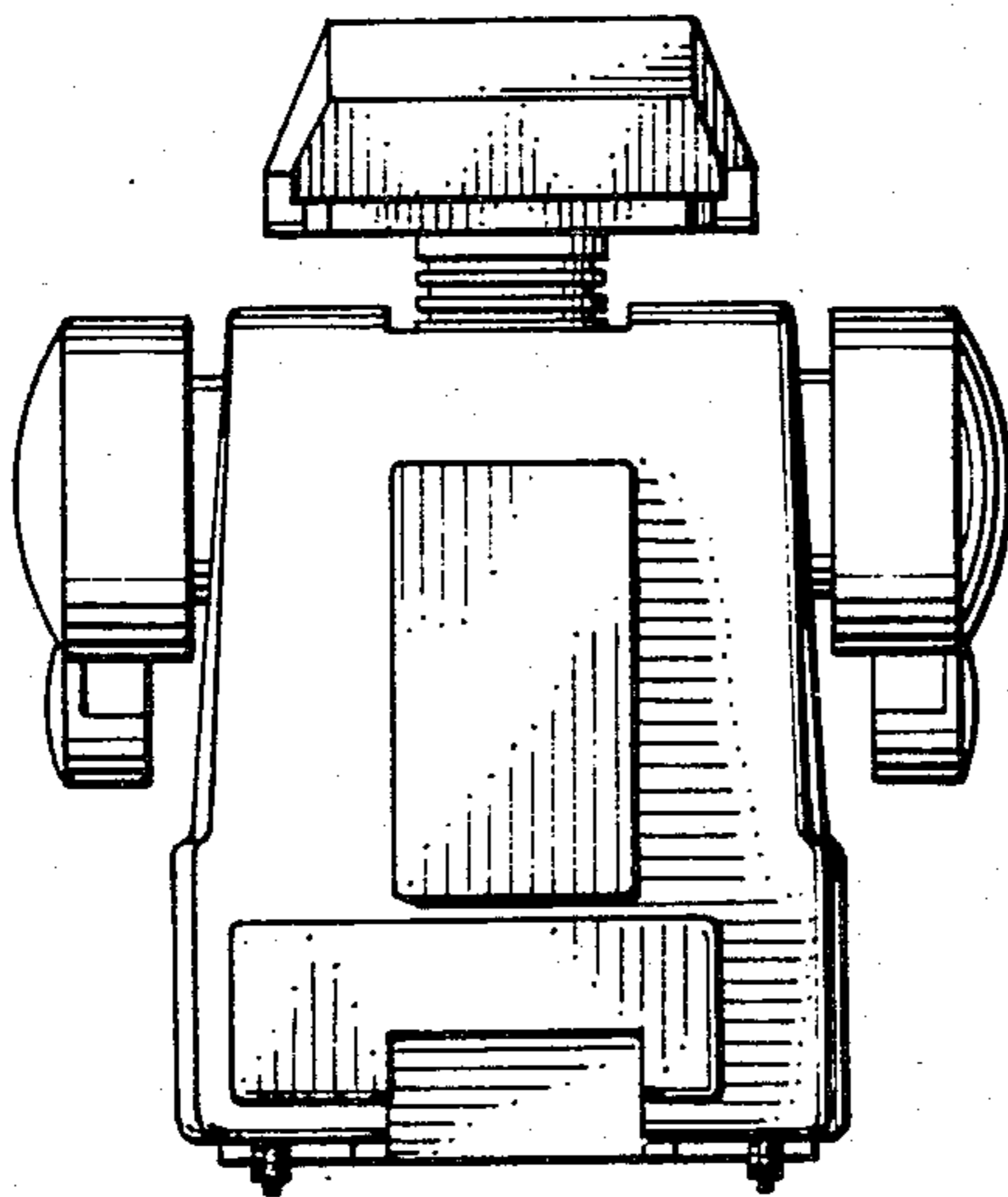


FIG. 4.

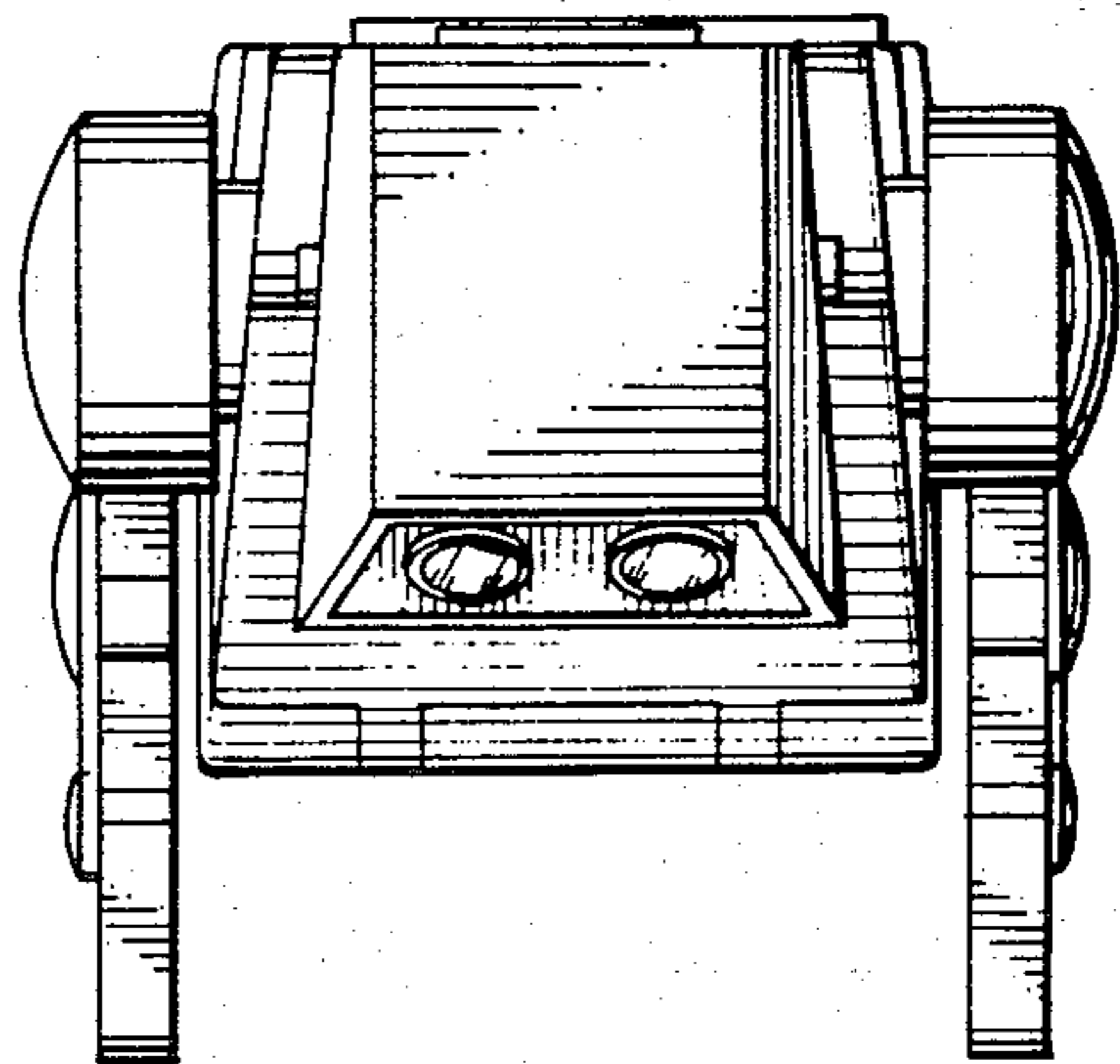


FIG. 5.

