

[54] MARBLE GAME RAMP

[75] Inventor: William J. Wichman, Glendora, Calif.

[73] Assignee: Discovery Toys, Inc., Pleasant Hill, Calif.

[**] Term: 14 Years

[21] Appl. No.: 741,050

[22] Filed: Jun. 4, 1985

[52] U.S. Cl. D21/19; D21/59; D21/143

[58] Field of Search D24/4, 5; 443/97; D21/59, 143, 12, 19; 446/168, 170, 171, 173

[56] References Cited

U.S. PATENT DOCUMENTS

D. 187,101	1/1960	Gomer	D21/59
D. 208,789	10/1967	Kuhn .	
D. 230,291	2/1974	Karen	D21/59
D. 233,057	10/1974	Irvine	D21/59
1,274,979	8/1918	Bliley	446/171
2,838,870	6/1958	Morse .	
3,092,928	6/1963	Geiser	446/168
3,101,946	8/1963	Ebert	446/170
3,464,700	9/1969	Clatterbuck	446/168
3,946,516	3/1976	Wirth .	

FOREIGN PATENT DOCUMENTS

1405105 7/1975 United Kingdom 446/168

OTHER PUBLICATIONS

"Marble Magic" from Discovery Toys Catalog (Spring 1985).

Kiddiecraft Super Helta Skelta, copied from toy box. Childcraft "Tobaga" from Childcraft Fall 1984 catalog. Toys to Grow On "Build & Roll Raceway", Fall 1984 catalog.

Bear Creek "Marble Race" Fall 1984 catalog.

Primary Examiner—Charles A. Rademaker

Attorney, Agent, or Firm—Townsend and Townsend

[57] CLAIM

The ornamental design for a marble game ramp, as shown and described.

DESCRIPTION

FIG. 1 is a perspective view of a marble game ramp showing my new design;

FIG. 2 is a top plan view thereof;

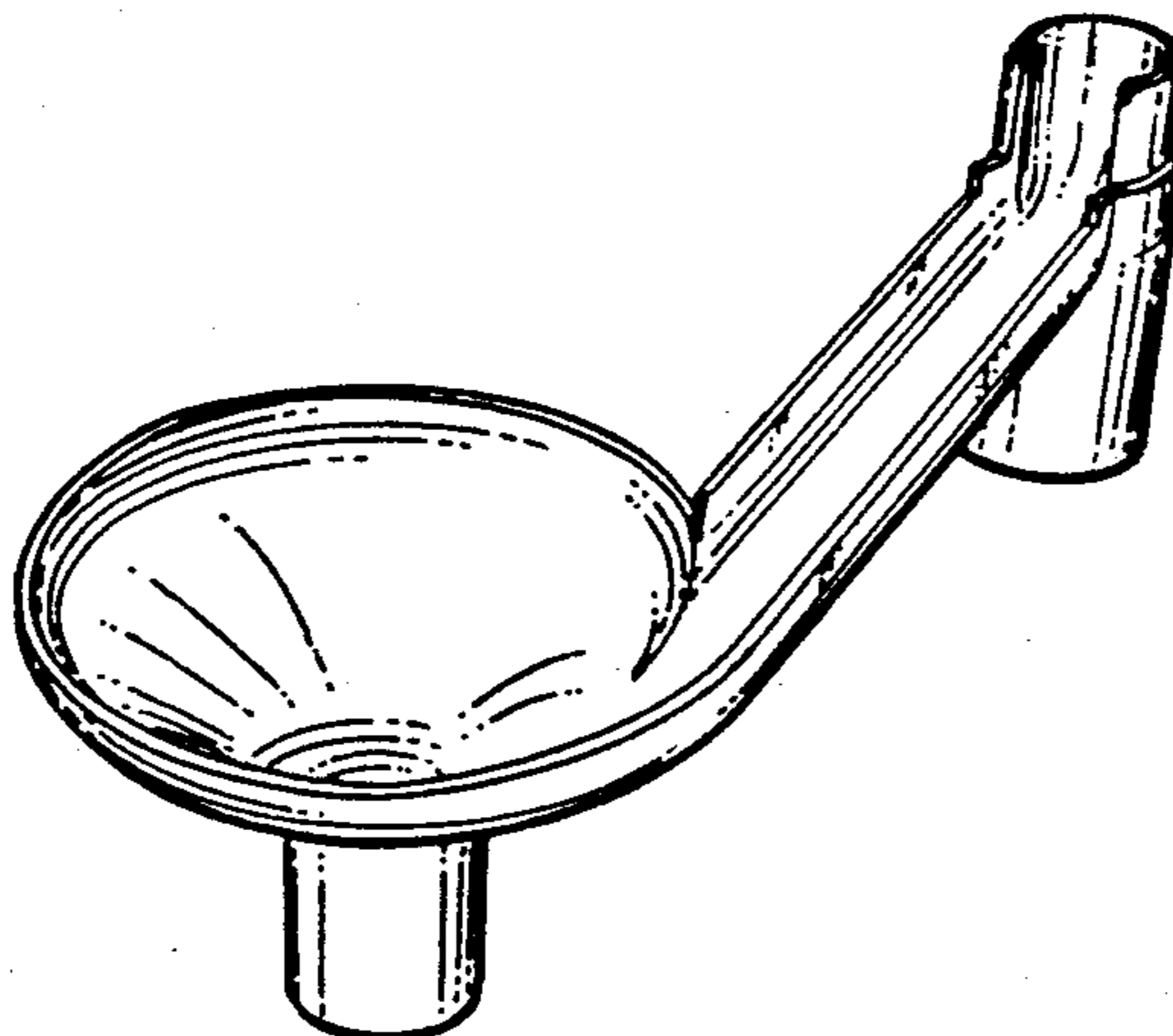
FIG. 3 is a front elevational view thereof;

FIG. 4 is a right side elevational view thereof;

FIG. 5 is a left side elevational view thereof;

FIG. 6 is a rear elevational view thereof; and

FIG. 7 is a bottom plan view thereof.



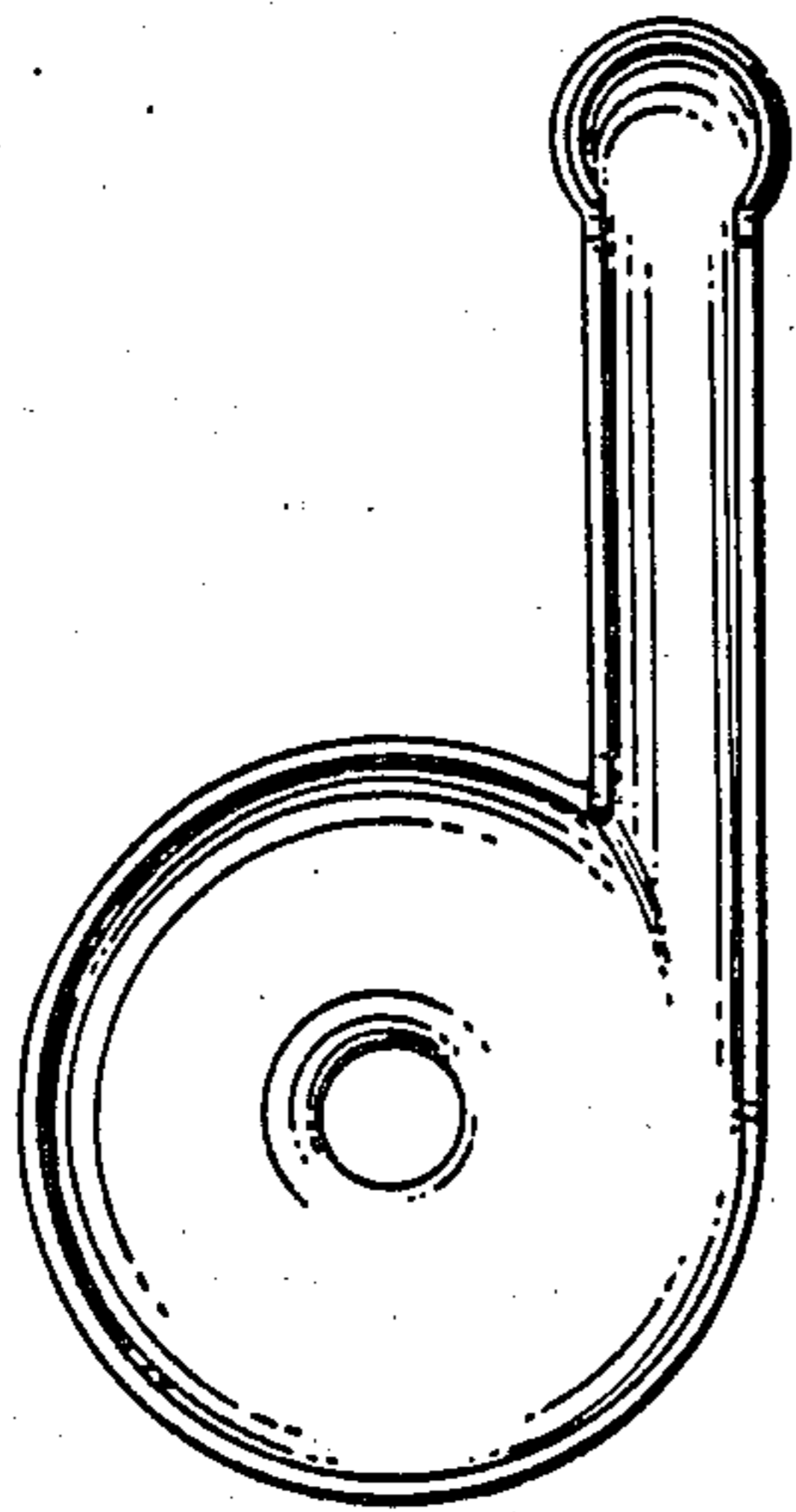


FIG._2.

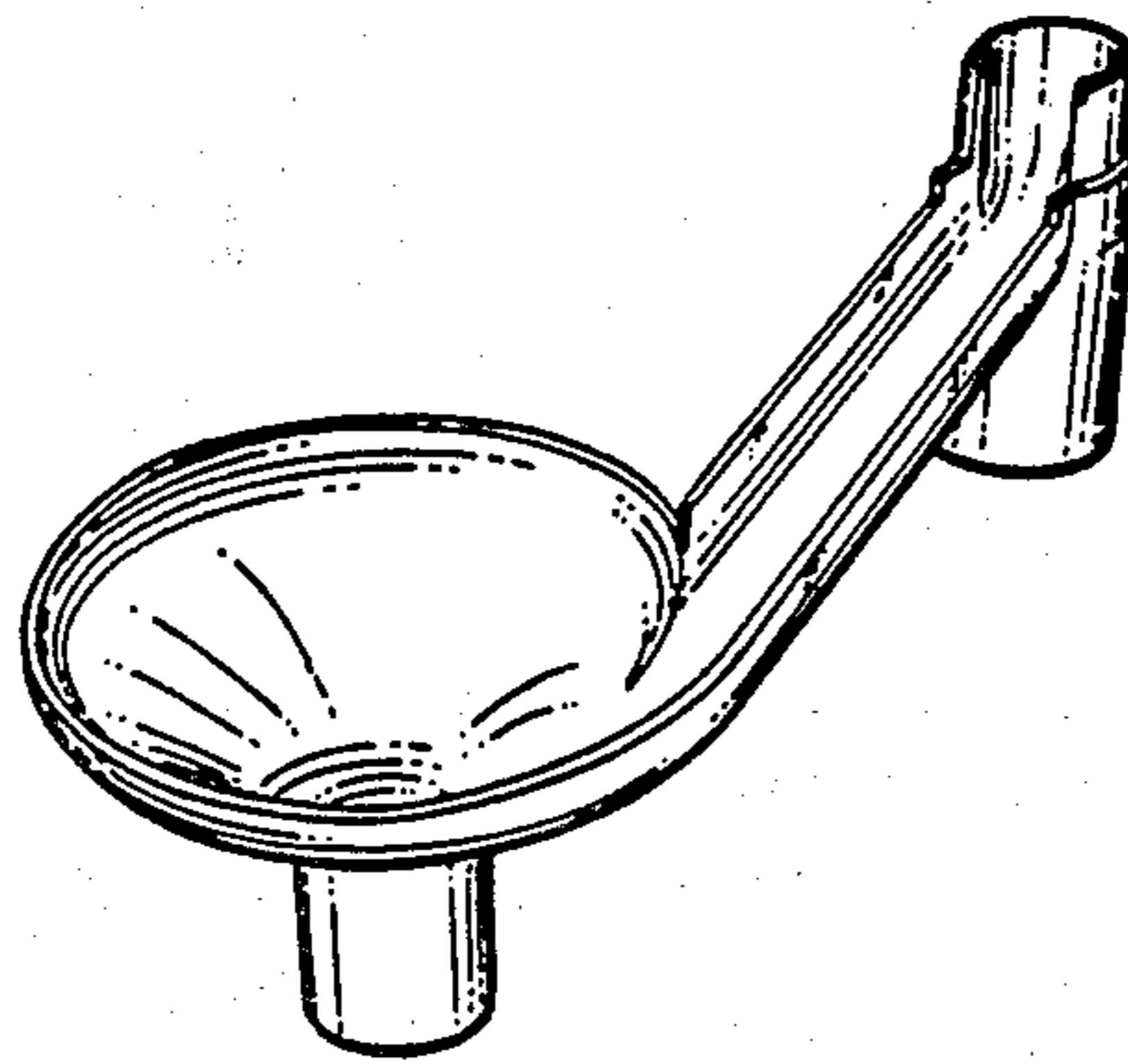


FIG._1.

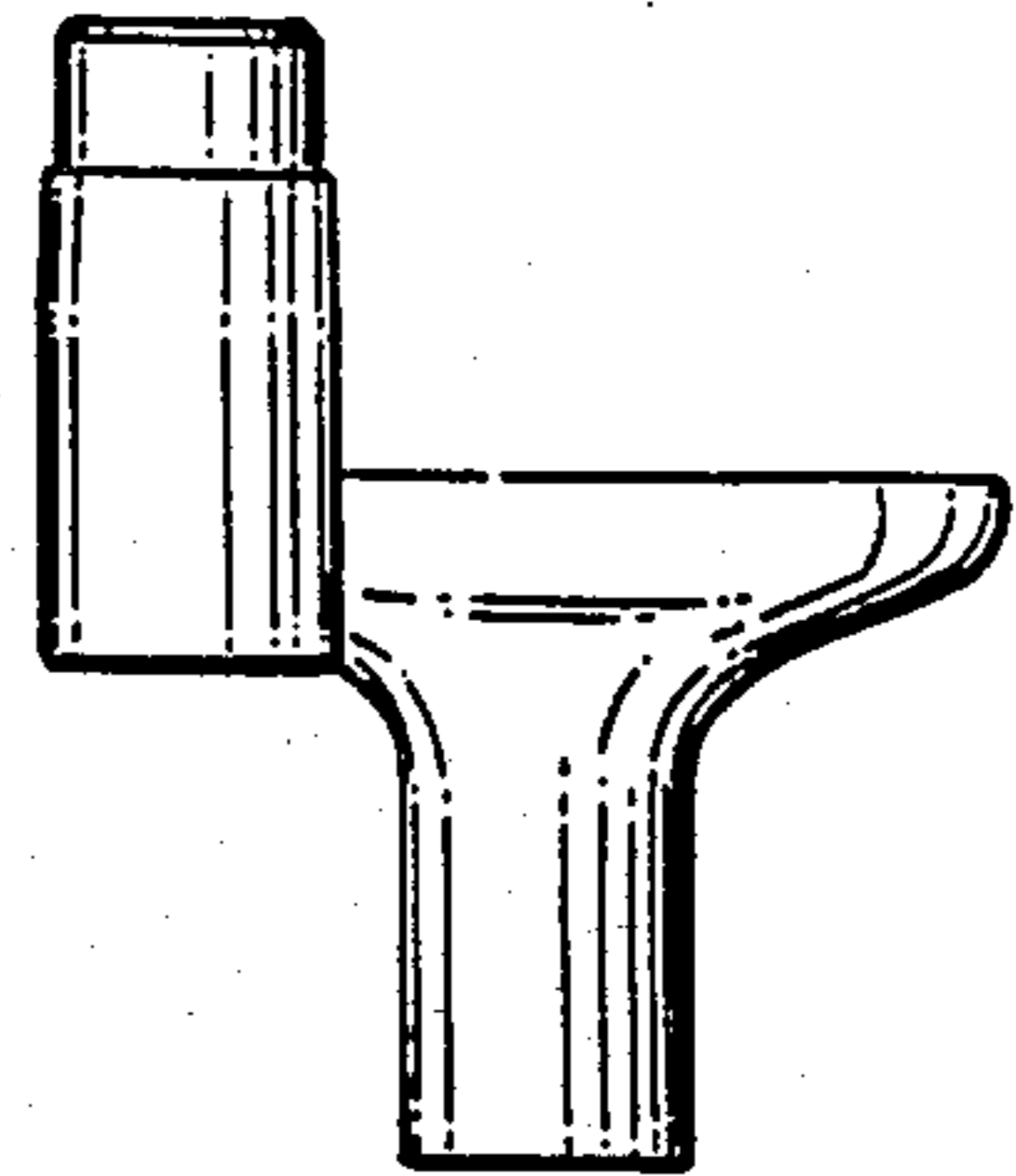


FIG._6.

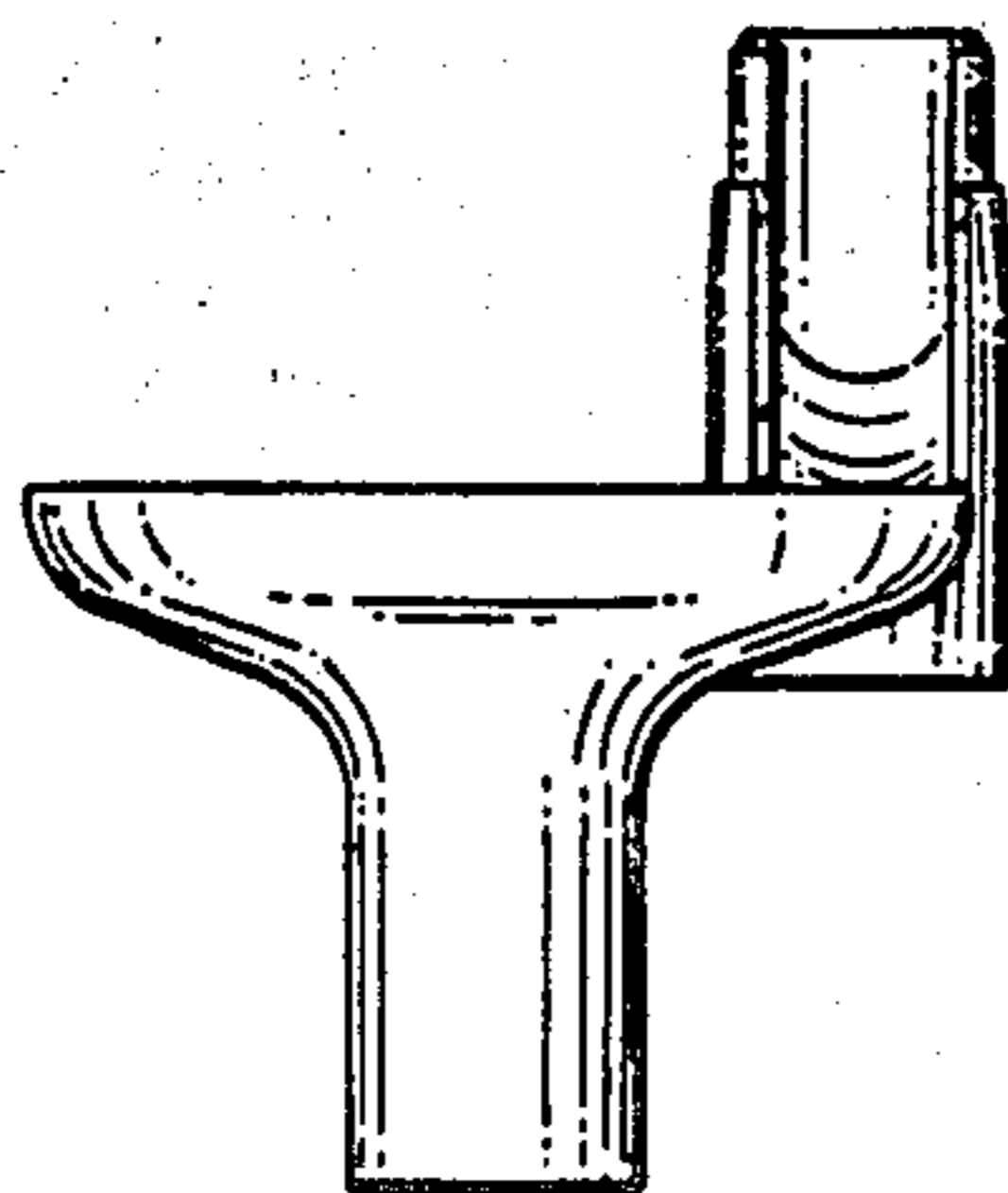


FIG._3.

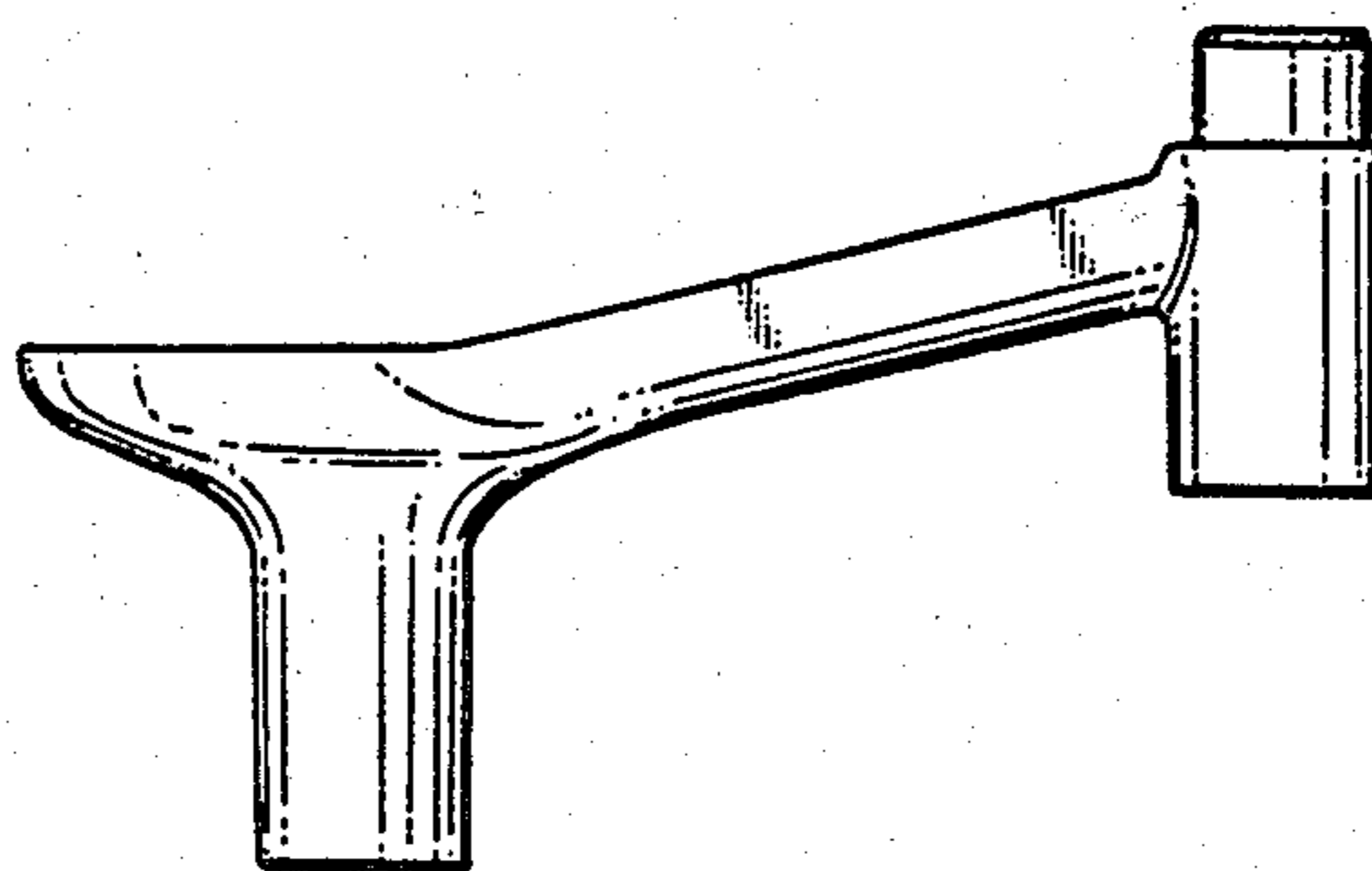


FIG._4.

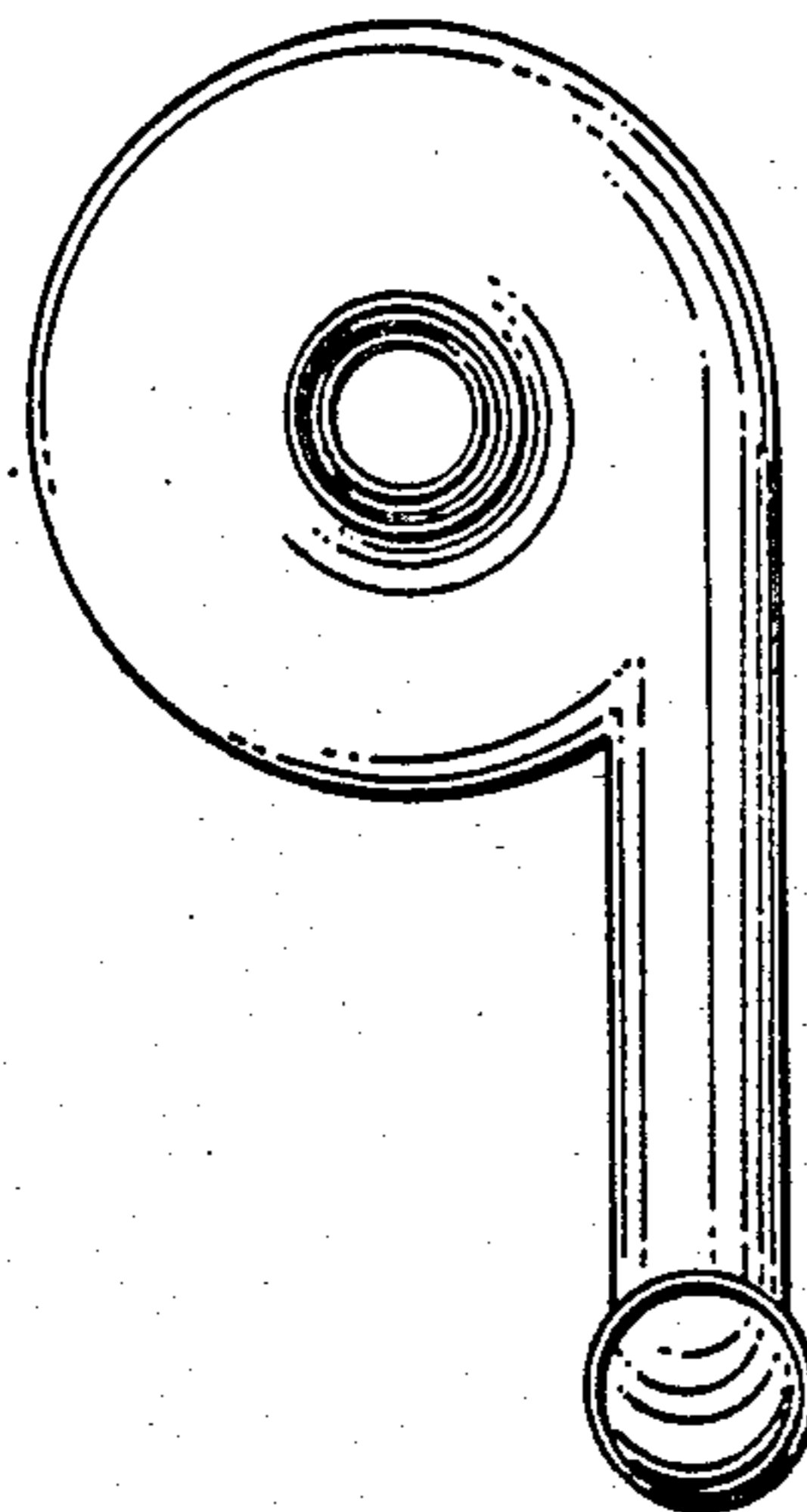


FIG._7.

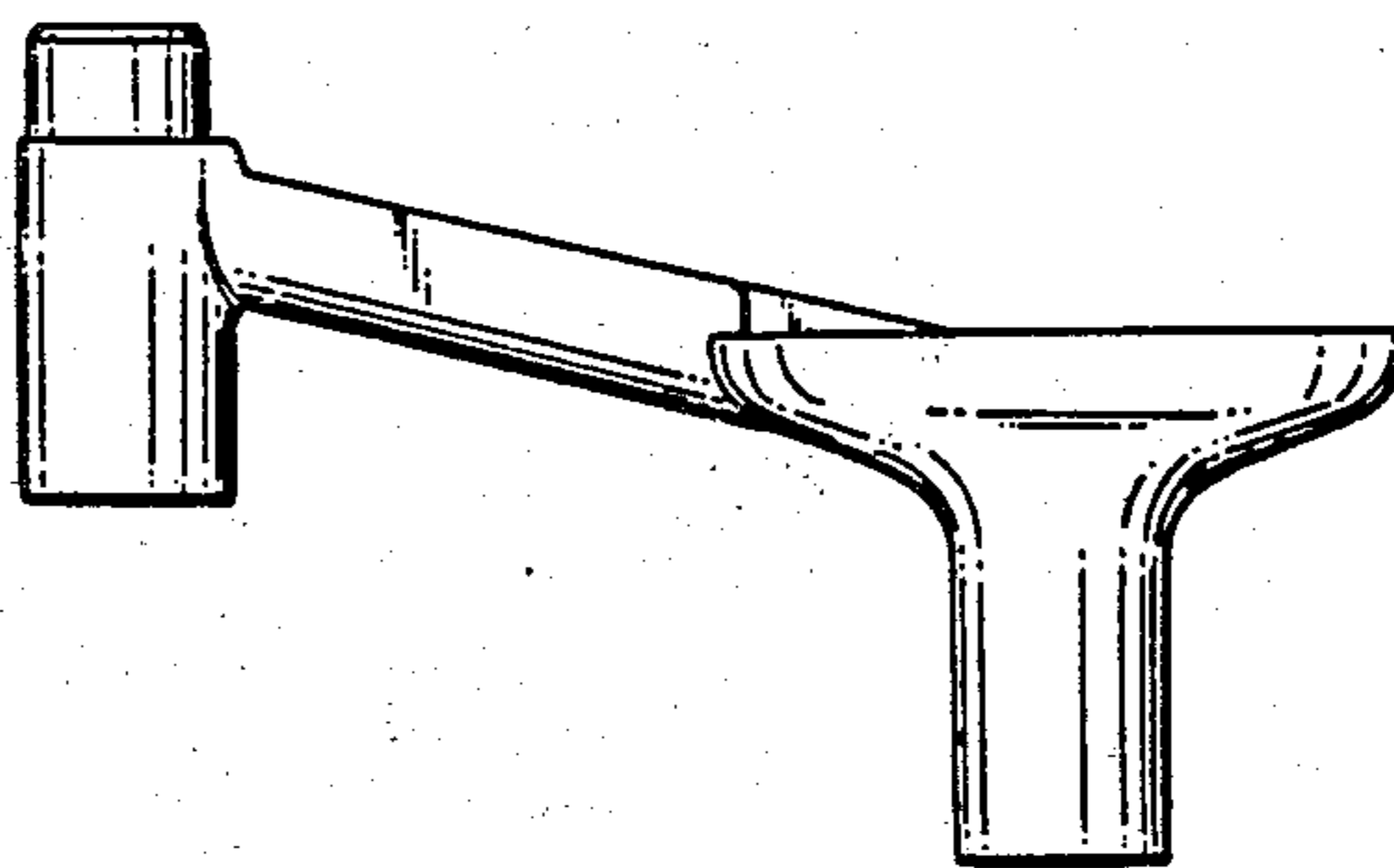


FIG._5.