

[54] **COMBINED LETTER TRAY AND STEP FILE**

[75] **Inventor: Donald B. Rabig, Elizabeth, N.J.**

[73] **Assignee: Sterling Plastic Co., Mountainside, N.J.**

[\*\*] **Term: 14 Years**

[21] **Appl. No.: 599,997**

[22] **Filed: Apr. 13, 1984**

[52] **U.S. Cl. .... D19/90; D19/92**

[58] **Field of Search ..... D19/22, 75, 77, 90-92; 211/11, 126**

[56] **References Cited**

**U.S. PATENT DOCUMENTS**

D. 55,547	6/1920	Bolling .....	D19/92
D. 139,831	12/1944	Posnak .....	D19/92
D. 185,130	5/1959	Camilli .....	D19/92
D. 251,254	3/1979	Tiedemann .....	D19/90
D. 270,256	8/1983	Sankey .....	D19/77
1,736,574	11/1929	Binks .	
2,334,825	11/1943	Jones .	
3,401,993	9/1968	Fenkel .	
3,534,866	10/1970	Asenbauer .	

3,682,351	8/1972	De Putter .
4,029,209	6/1977	Frahm et al. .
4,074,810	2/1978	Juergens et al. .
4,118,084	10/1978	Sussman .
4,353,470	10/1982	Polhemus et al. .

**OTHER PUBLICATIONS**

Office Products Dealer 2/80, p. 21, Item No. 1, Eldon File.

*Primary Examiner*—George P. Word  
*Attorney, Agent, or Firm*—Peter L. Berger

[57] **CLAIM**

The ornamental design for a combined letter tray and step file, substantially as shown and described.

**DESCRIPTION**

FIG. 1 is a perspective view of a combined letter tray and step file embodying my new design; FIG. 2 is a top plan view thereof; FIG. 3 is a left side elevational view thereof, the opposite side being a mirror image thereof; FIG. 4 is a front elevational view thereof; FIG. 5 is a rear elevational view thereof; and FIG. 6 is a bottom plan view thereof.

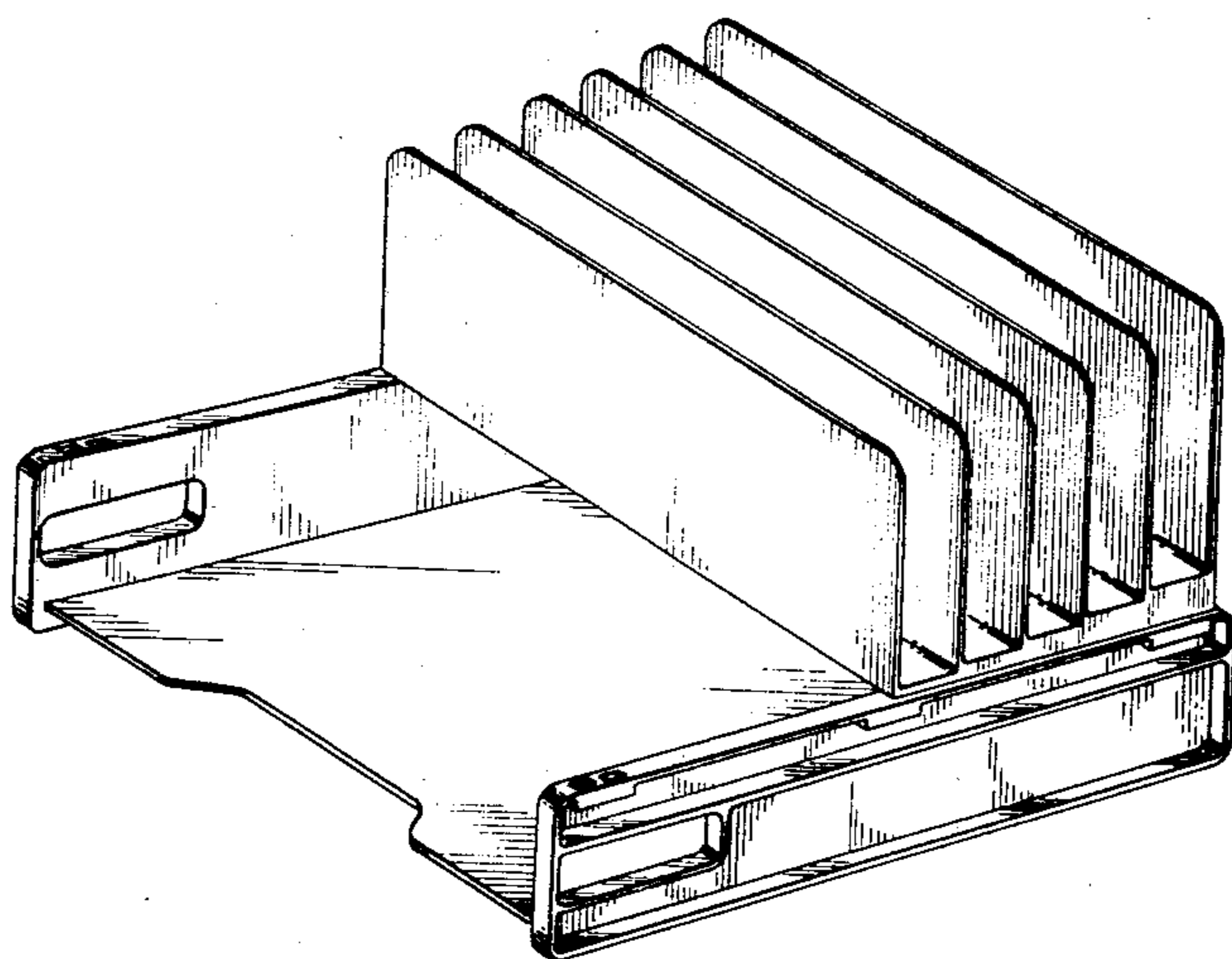


Fig. 1.

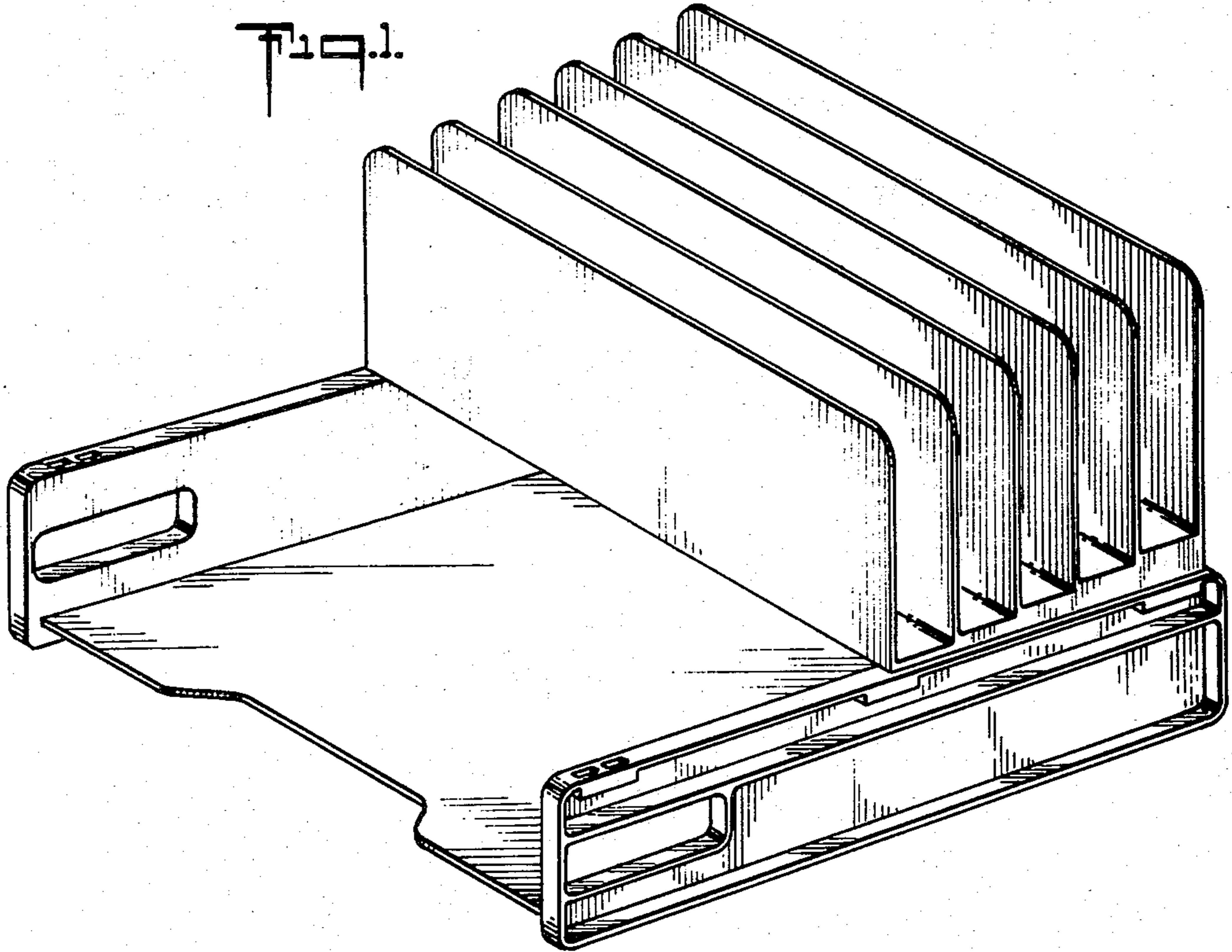
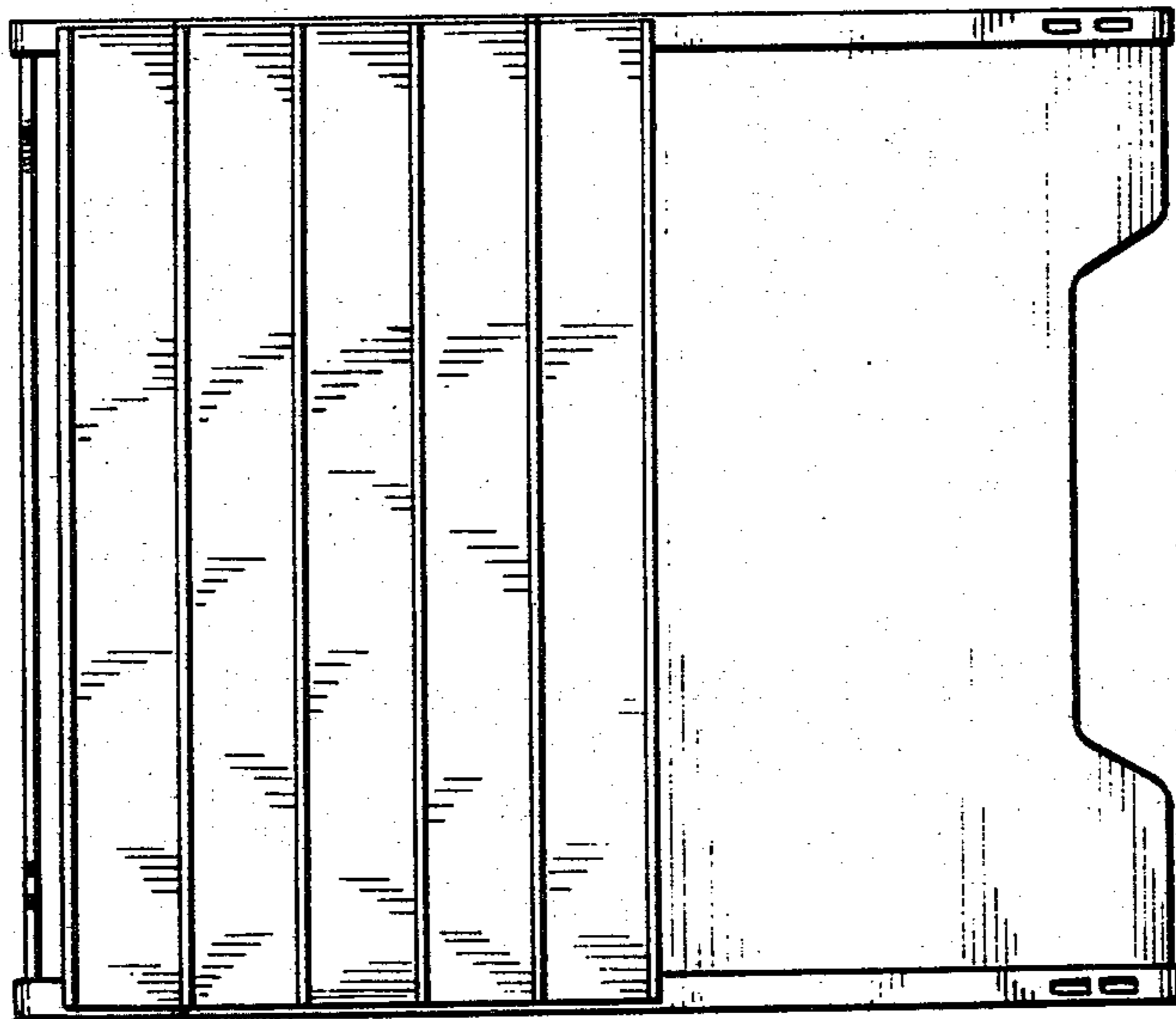


Fig. 2.



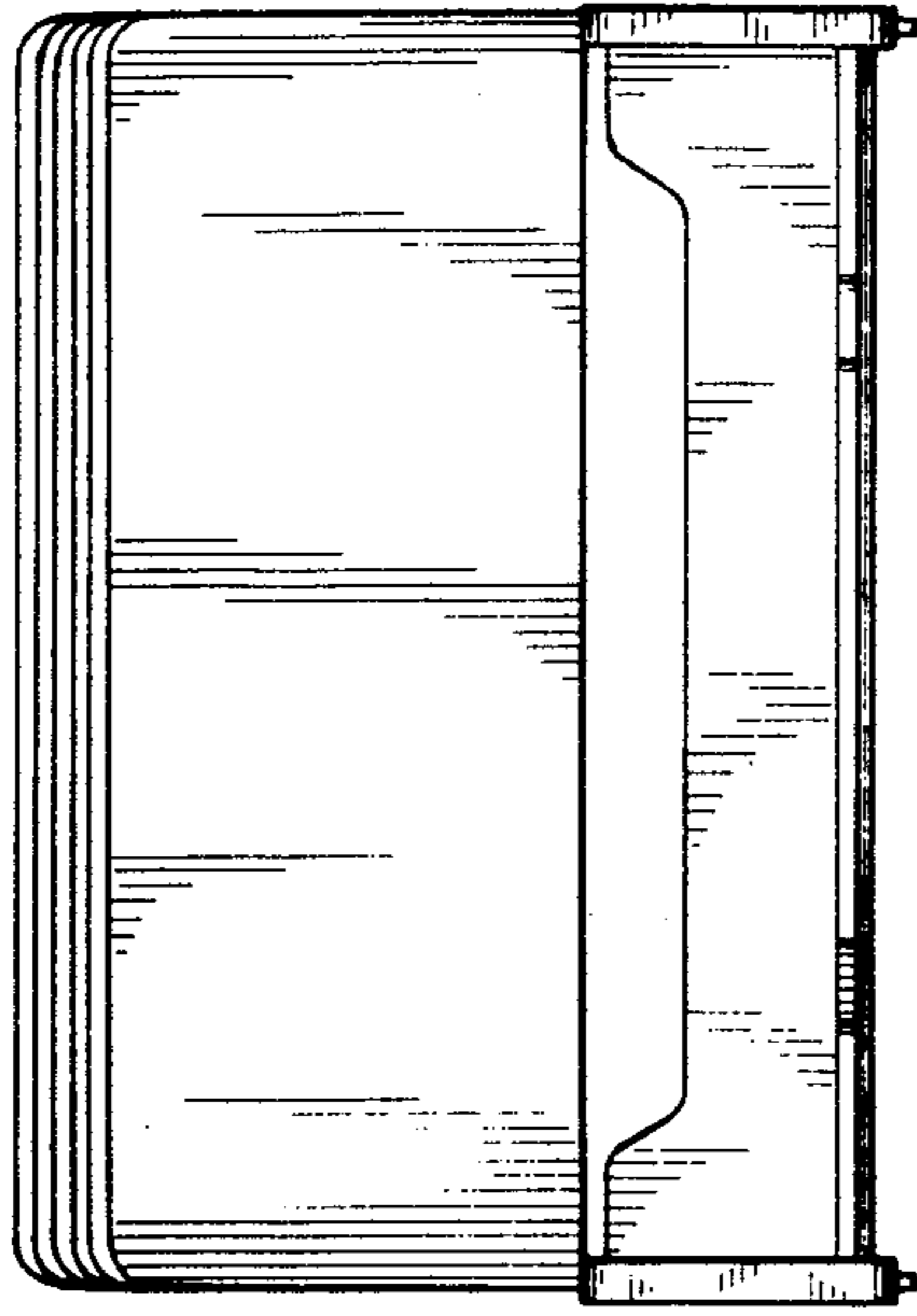


Fig. 4

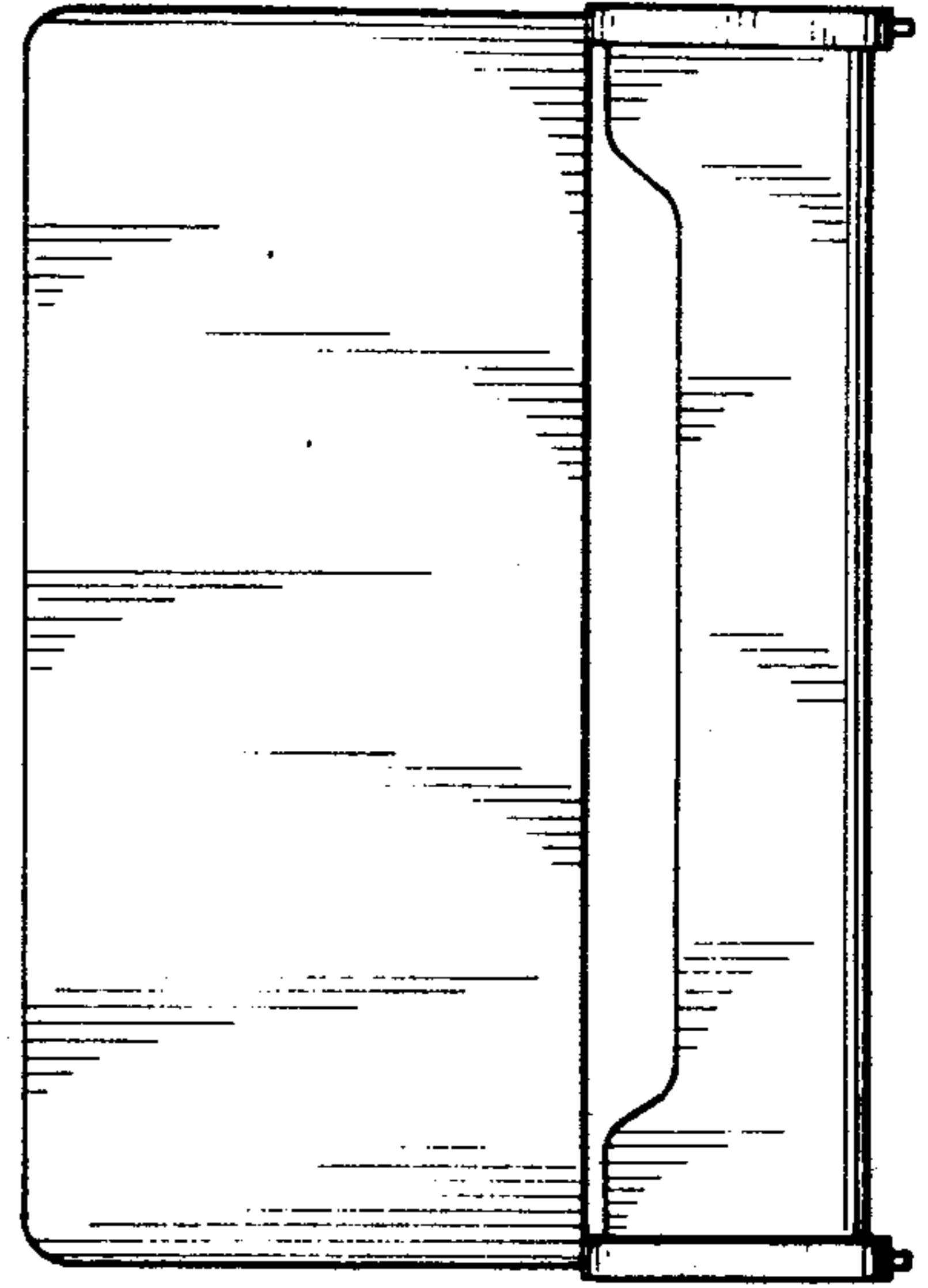


Fig. 5

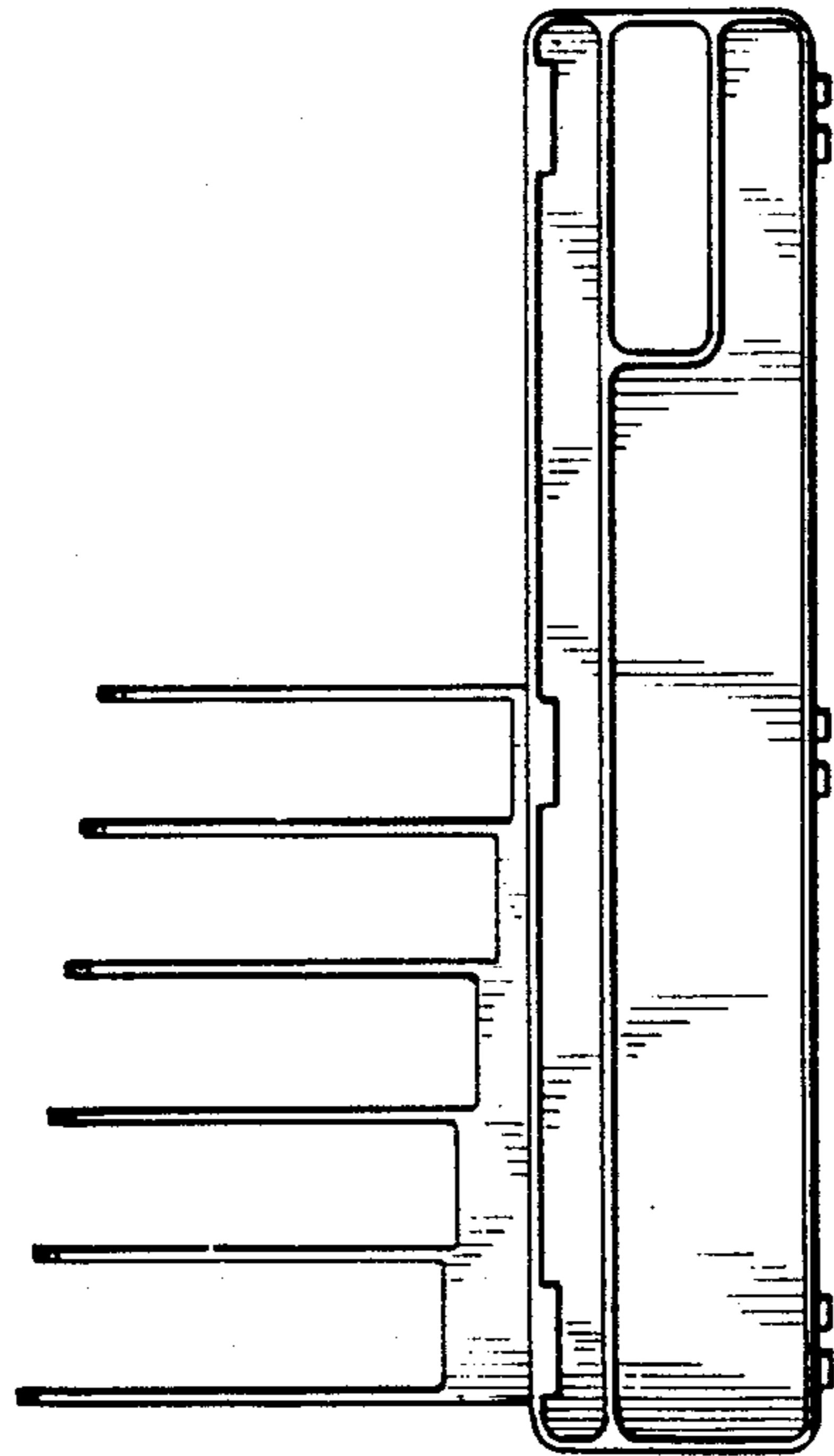


Fig. 6



Fig. 7