

[54] COMBINED MICROSCOPE STAND AND ILLUMINATOR

[75] Inventor: Robert M. Kahute, Honeoye Falls, N.Y.

[73] Assignee: Warner Lambert Technologies, Inc., Southbridge, Mass.

[\*\*] Term: 14 Years

[21] Appl. No.: 598,123

[22] Filed: Apr. 9, 1984

[52] U.S. Cl. .... D16/131

[58] Field of Search ..... D16/130-136; 350/521, 523-528

[56] References Cited

U.S. PATENT DOCUMENTS

D. 195,998	8/1963	Auböck	.....	D16/131
D. 273,592	4/1984	Armbruster	.....	D16/131
D. 276,351	11/1984	Janke et al.	.....	D16/131
4,284,327	8/1981	Kraft et al.	.....	350/526

OTHER PUBLICATIONS

"Inverse Microscope Operated by Lighting and/or Light Transmission", PCT Appl. #8300745 by Ernst Leitz Wetzlar.

Primary Examiner—Susan J. Lucas  
Assistant Examiner—C. E. Heflin  
Attorney, Agent, or Firm—Alan H. Spencer

[57] CLAIM

The ornamental design for a combined microscope stand and illuminator, as shown and described.

DESCRIPTION

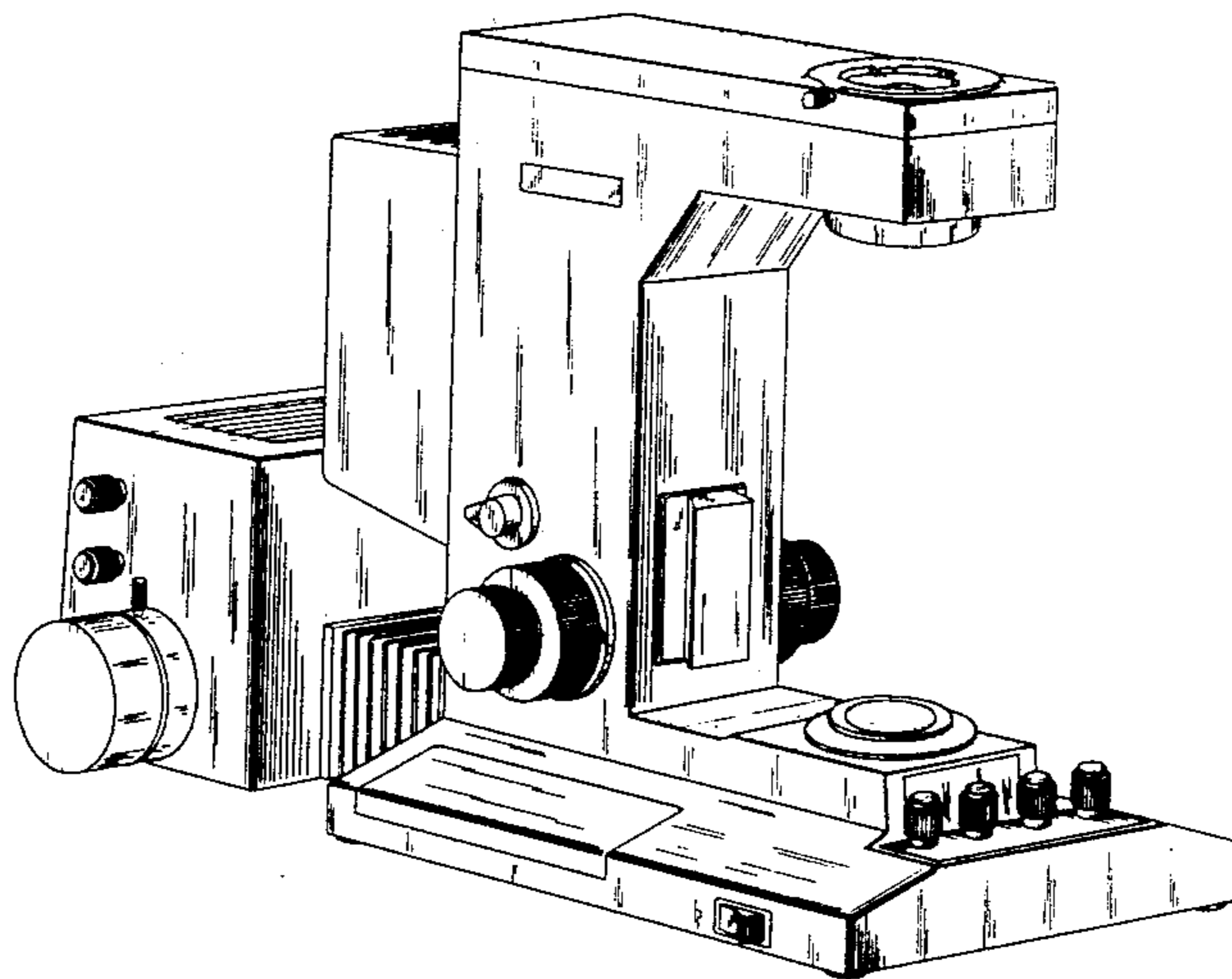
FIG. 1 is a front, left side and top perspective view of a combined microscope stand and illuminator showing my new design.

FIG. 2 is a left side elevational view thereof, the right side being a mirror image;

FIG. 3 is a top plan view thereof;

FIG. 4 is a rear elevational view thereof; and

FIG. 5 is a front elevational view thereof.



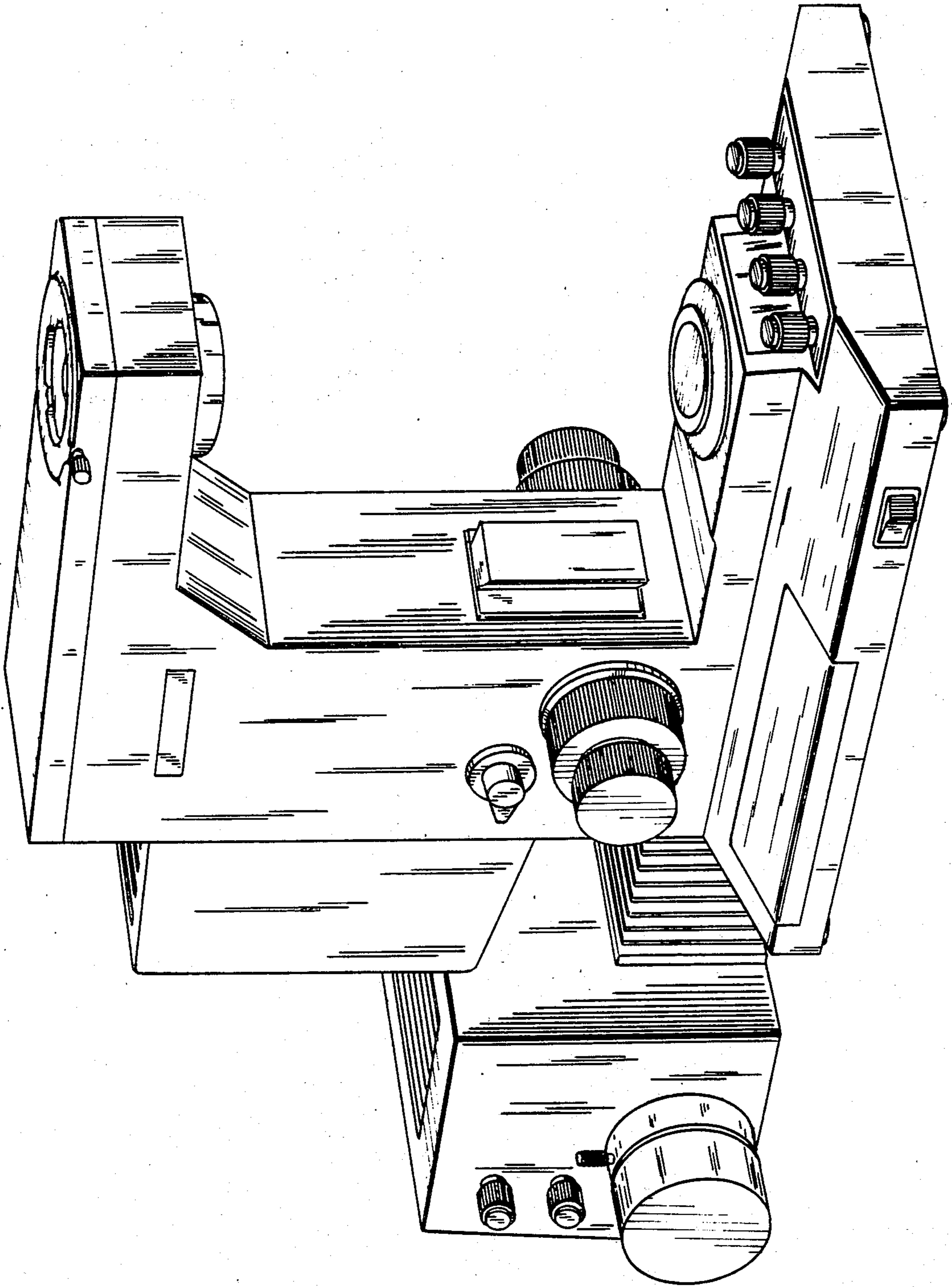


FIG. 1

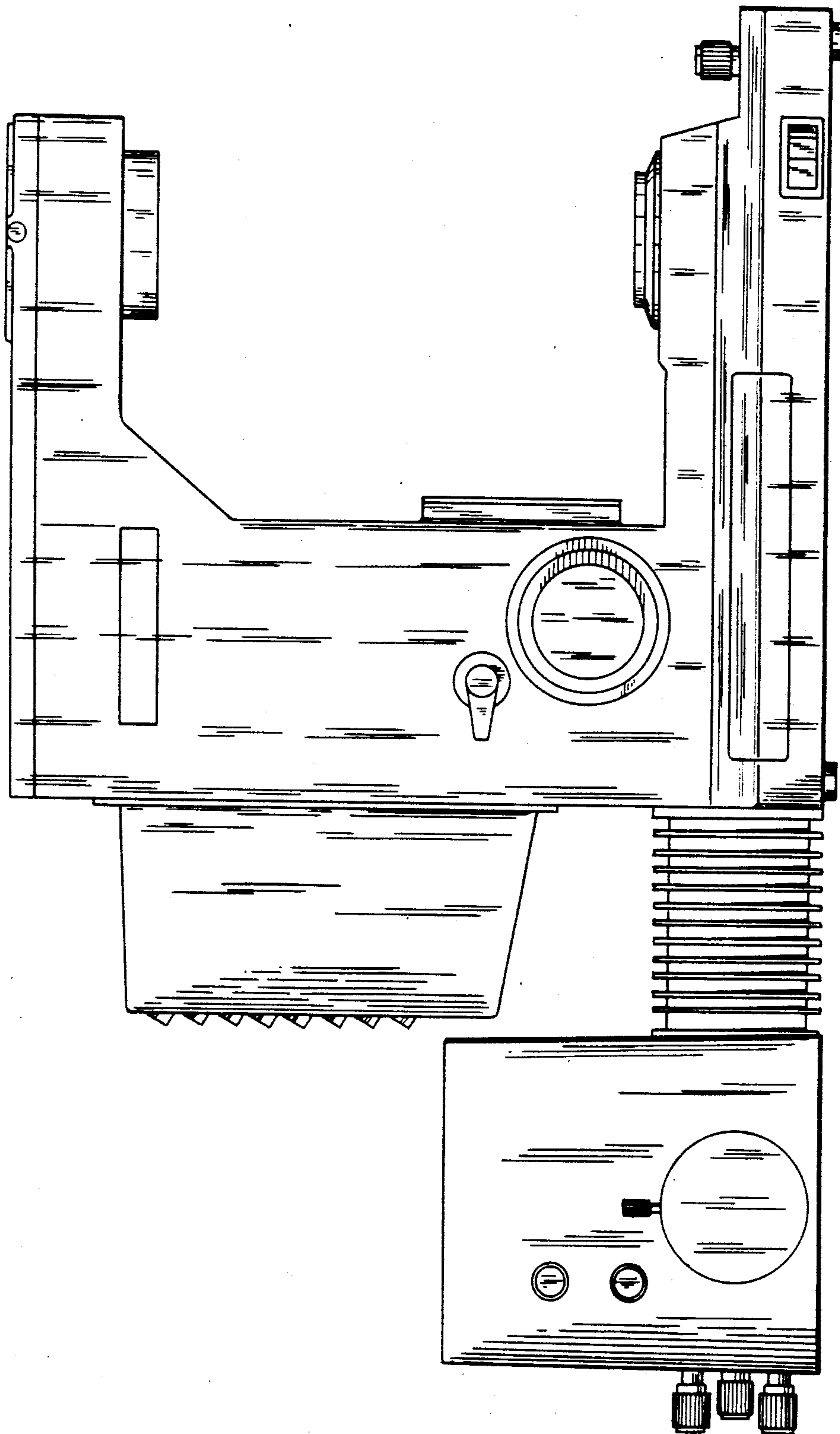


FIG. 2

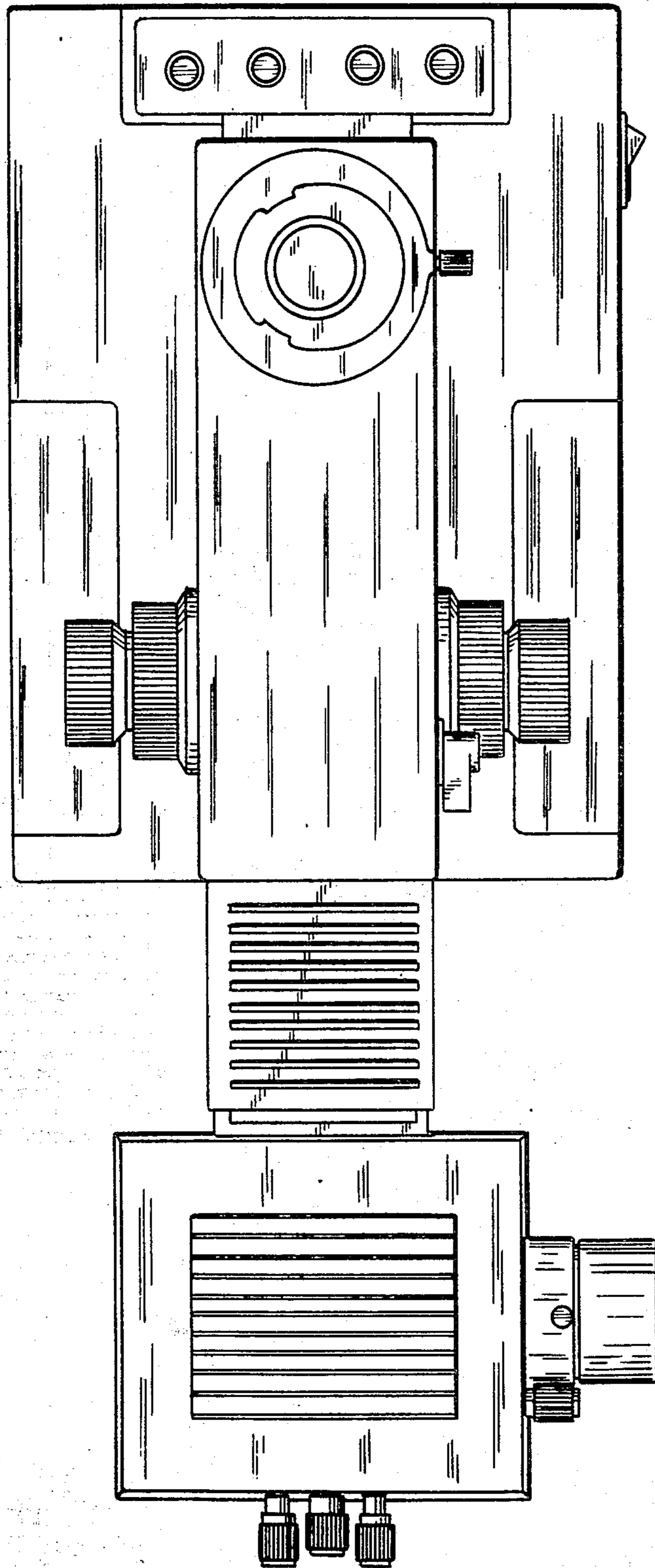


FIG. 3

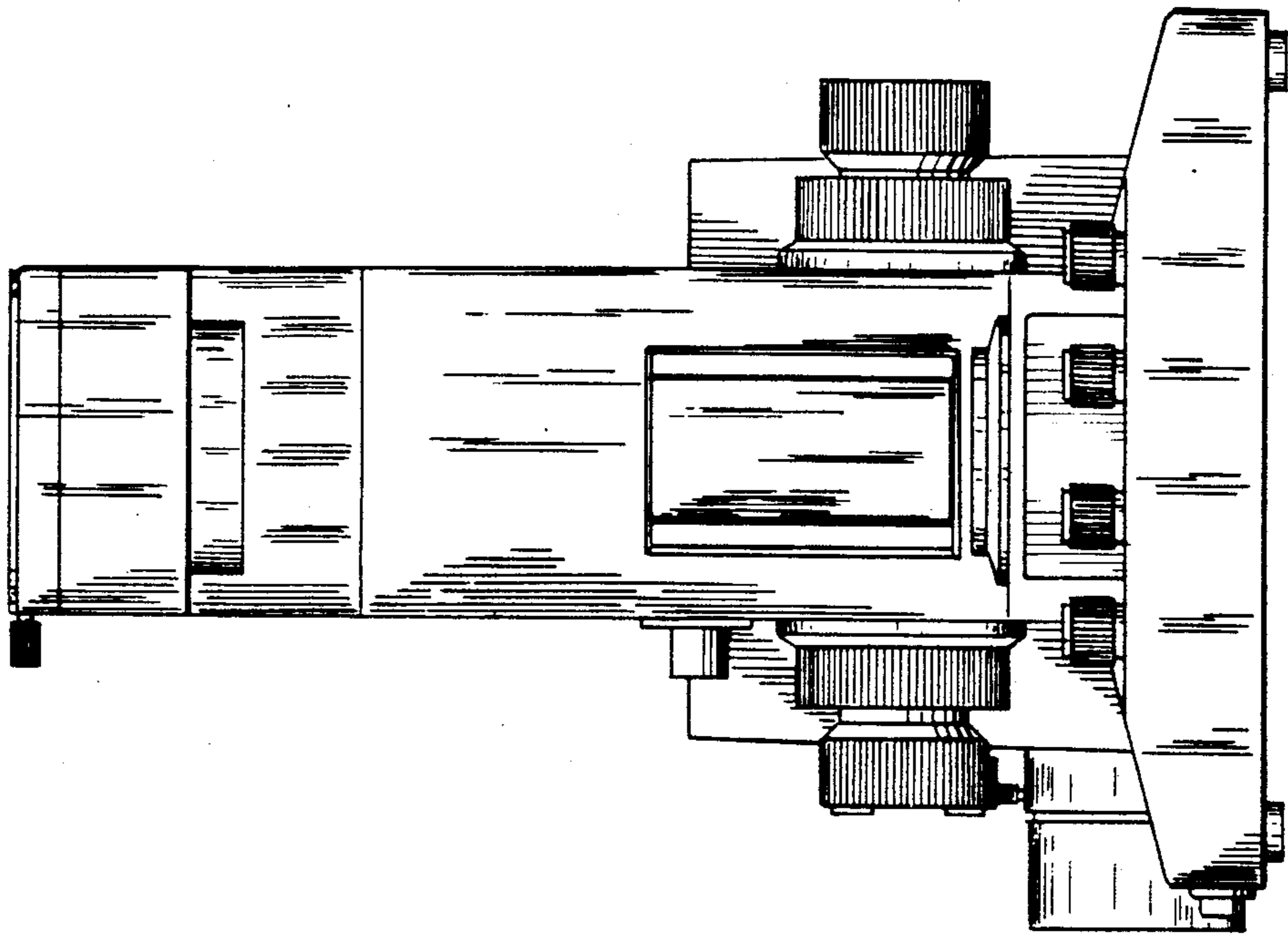


FIG. 5

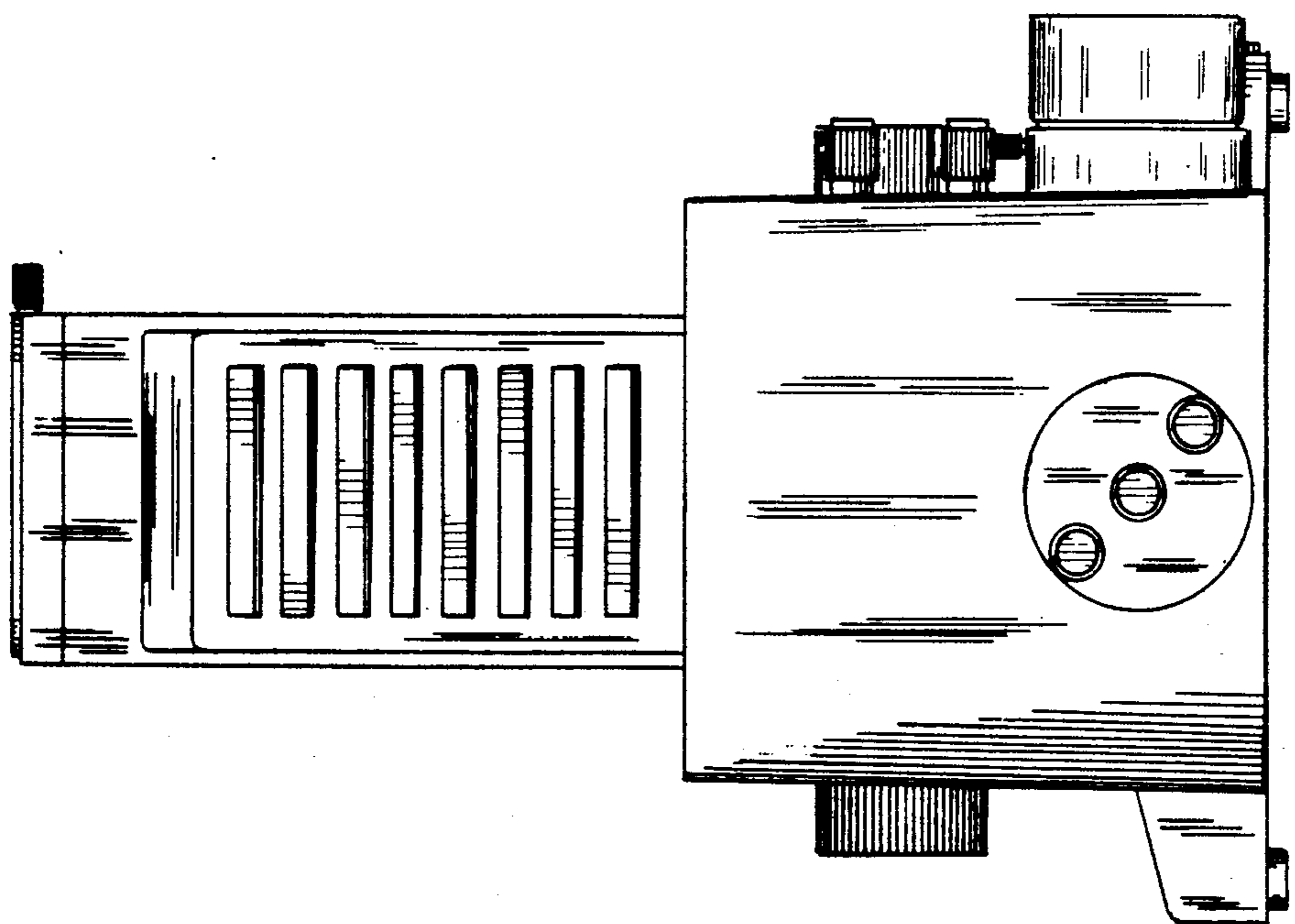


FIG. 4