

[54] **AQUARIUM AIR PUMP**

[75] Inventors: **Jerome Goldman**, New York; **Marvin Goldman**, Great Neck; **Gerald Philips**, Glen Cove; **John Judy**, Hempstead, all of N.Y.

[73] Assignee: **Penn Plax Plastics, Inc.**, Garden City, N.Y.

[**] Term: **14 Years**

[21] Appl. No.: **652,635**

[22] Filed: **Sep. 20, 1984**

[52] U.S. Cl. **D15/8**

[58] Field of Search **D15/7, 8; 417/234, 236, 417/321, 410-411, 424, 572; 210/416.2**

[56] **References Cited**

U.S. PATENT DOCUMENTS

- D. 154,486 7/1949 Horowitz D15/8
- D. 209,547 12/1967 Roberts D15/8
- D. 211,913 8/1968 Levin D15/8

- D. 220,134 3/1971 Stut D15/7
- D. 235,924 7/1975 Bright D15/8
- 3,311,920 3/1967 Szymczak et al. 417/424 X
- 4,248,570 2/1981 Conger 417/424 X
- 4,552,657 11/1985 Ogawa 210/416.2 X

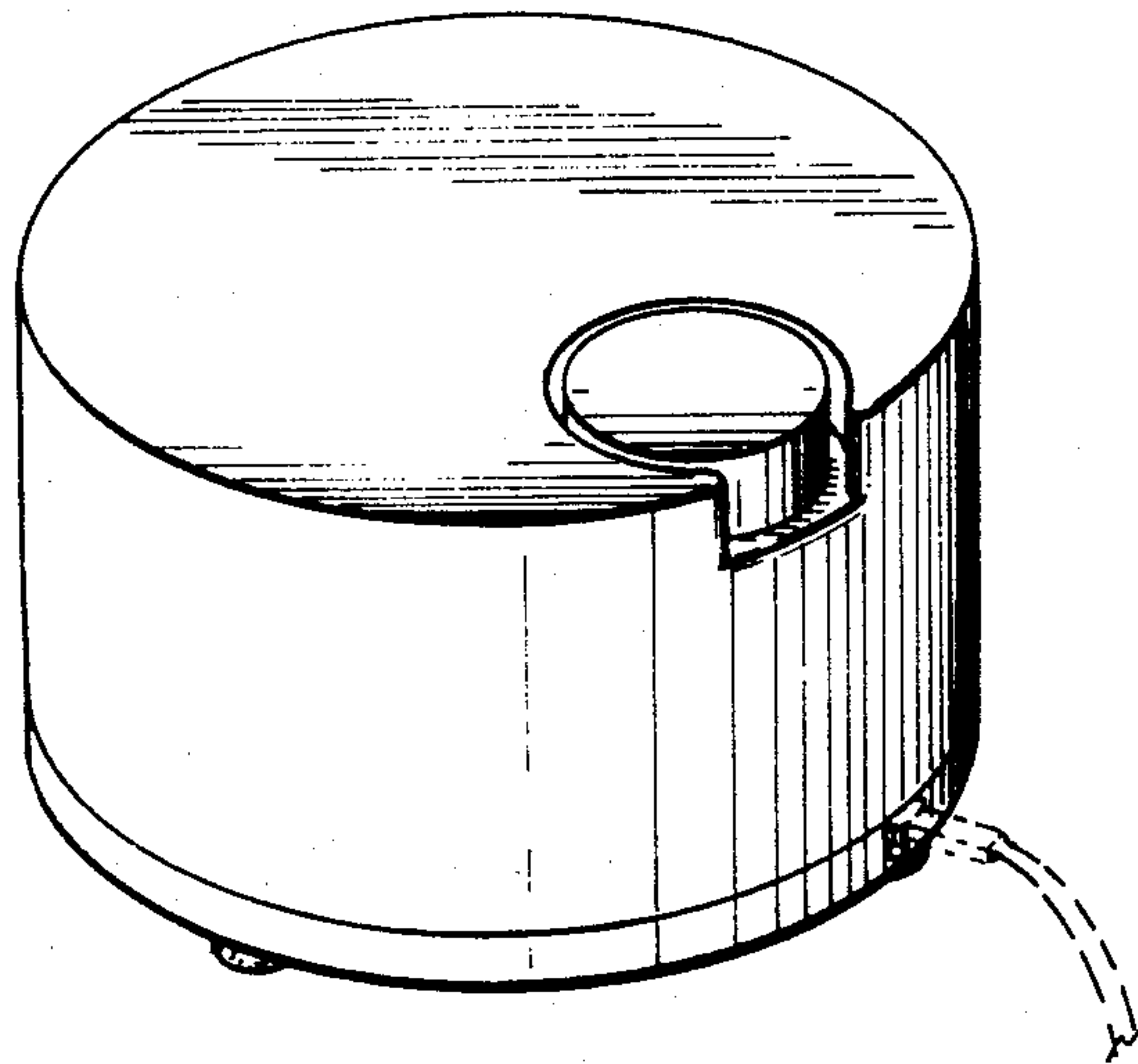
Primary Examiner—Wallace R. Burke
Assistant Examiner—Brian N. Vinson
Attorney, Agent, or Firm—R. Scott Goldman

[57] **CLAIM**

The ornamental design for an aquarium air pump, substantially as shown.

DESCRIPTION

FIG. 1 is a top perspective view of an aquarium air pump showing our new design, with the broken lines shown for illustrative purposes only; FIG. 2 is a side elevational view thereof; FIG. 3 is a front elevational view thereof, the rear being substantially similar in appearance; FIG. 4 is an opposite side elevational view thereof; FIG. 5 is a top plan view thereof; and FIG. 6 is a bottom plan view thereof.



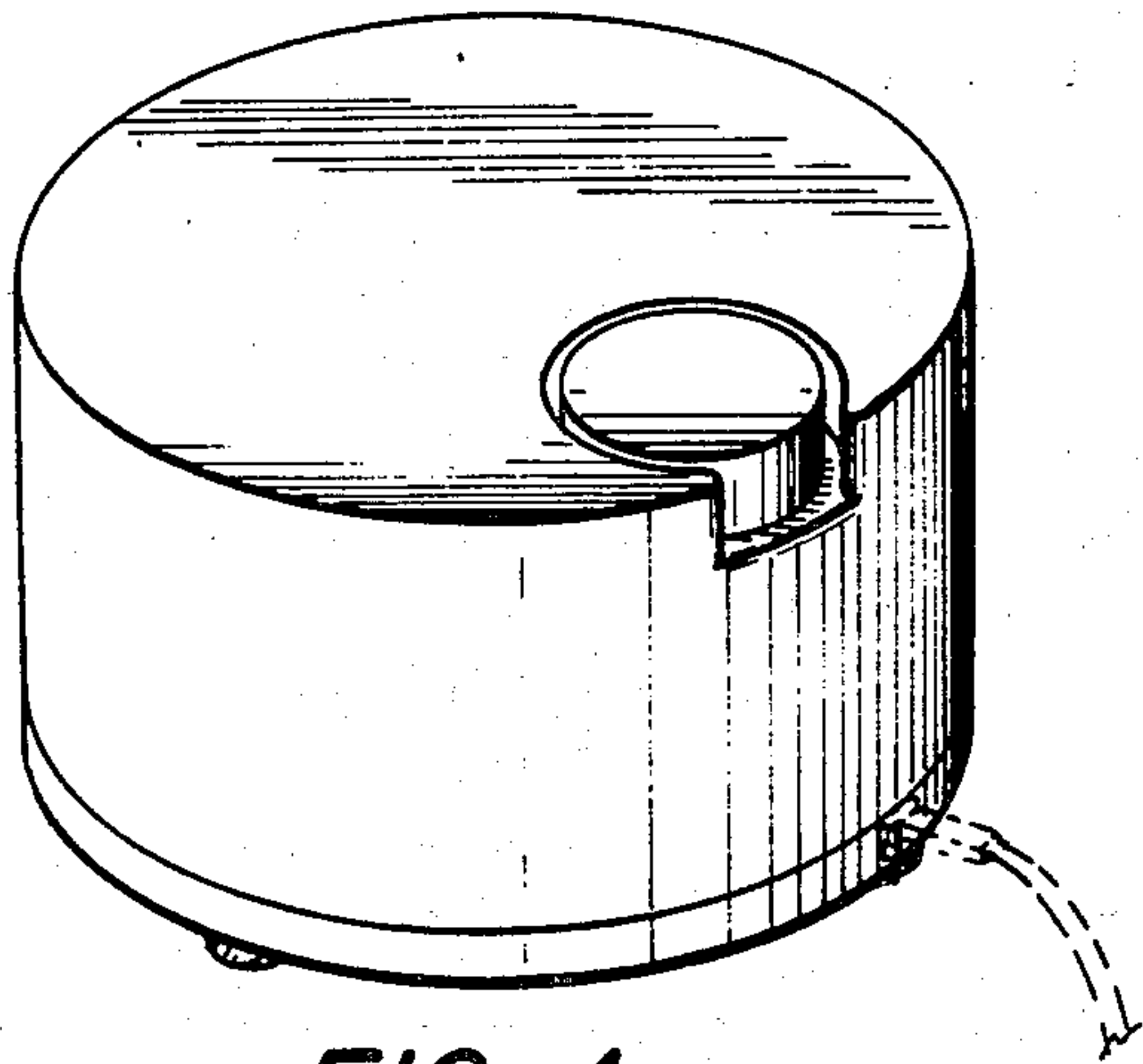


FIG. 1

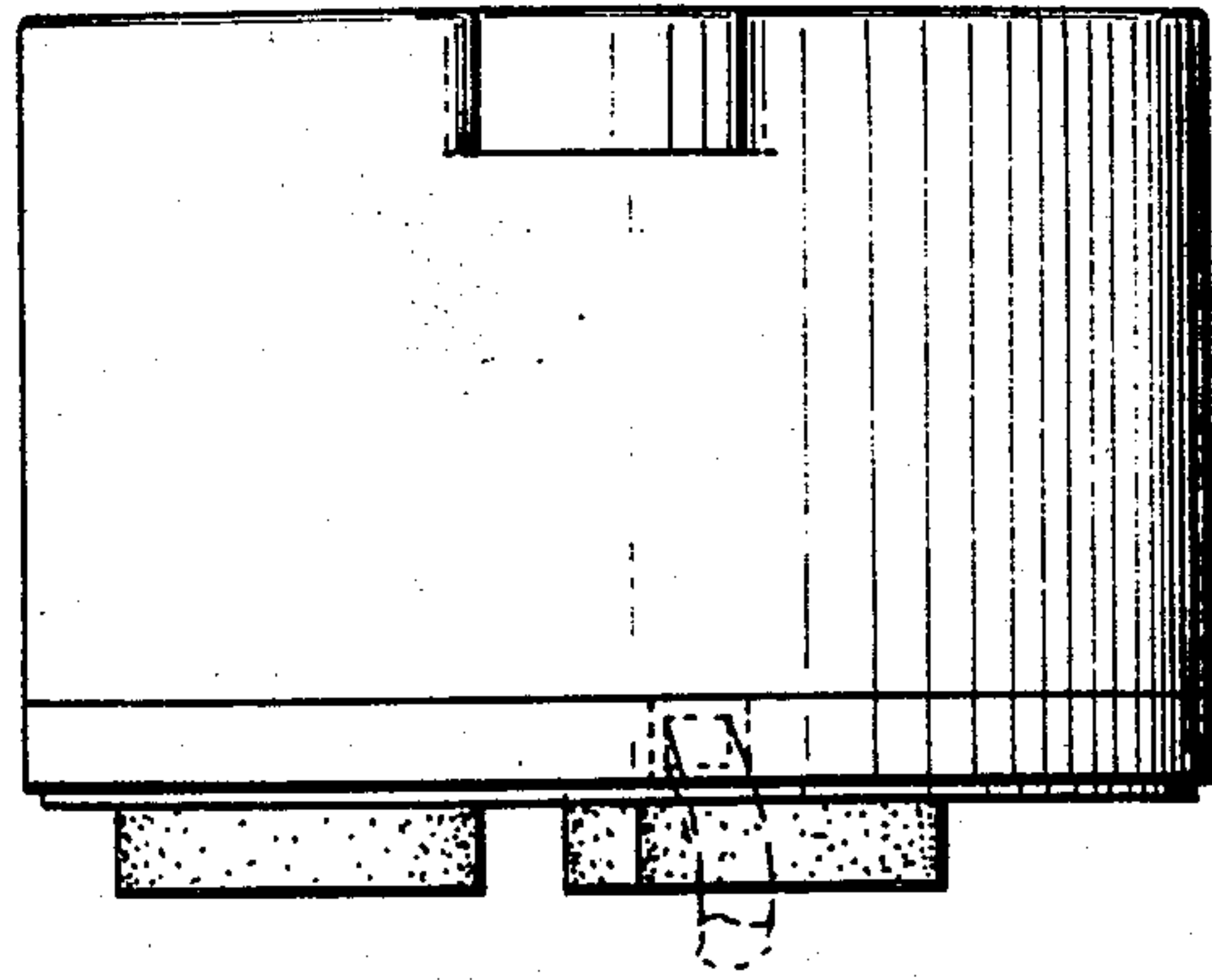


FIG. 2

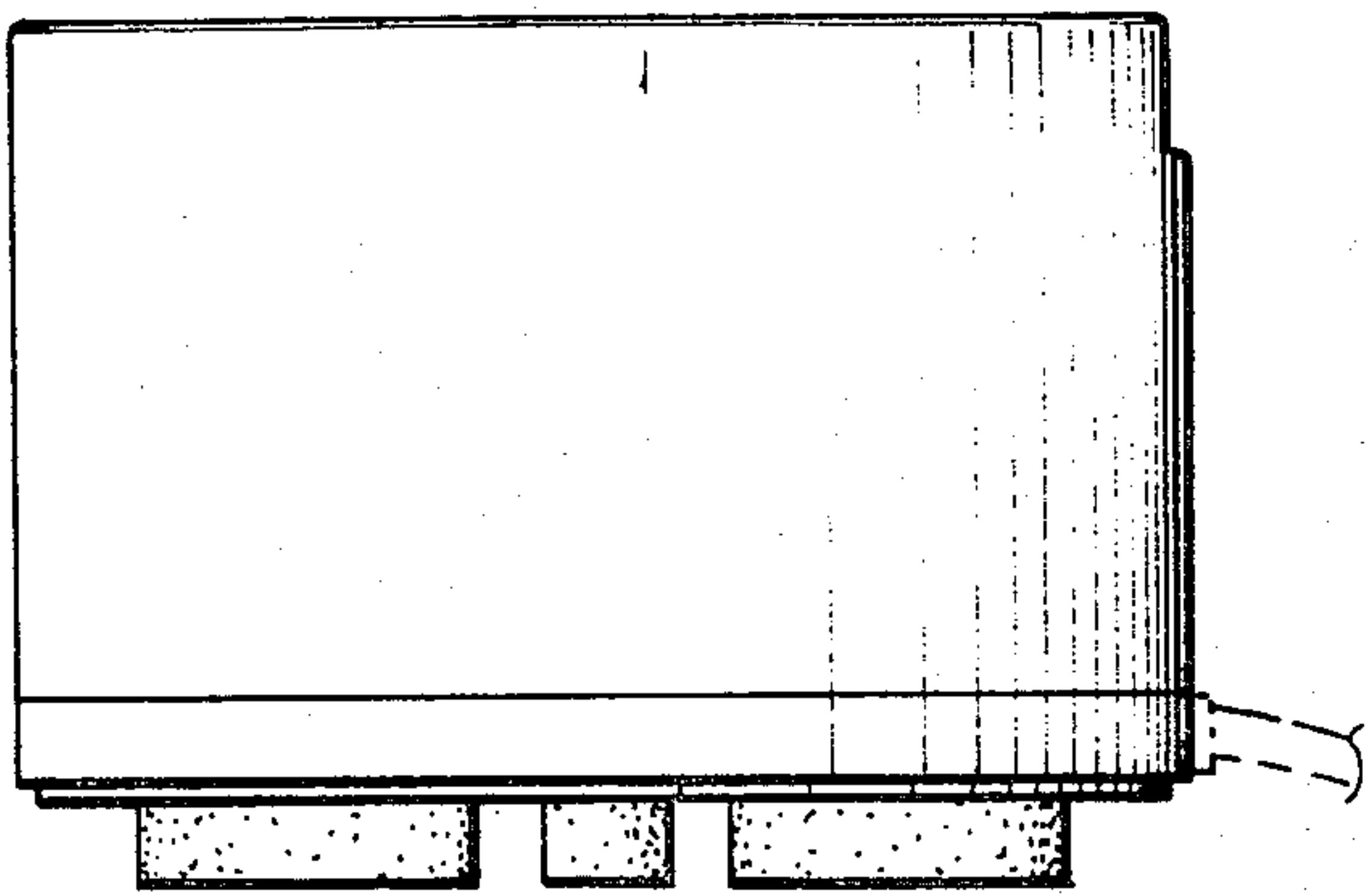


FIG. 3

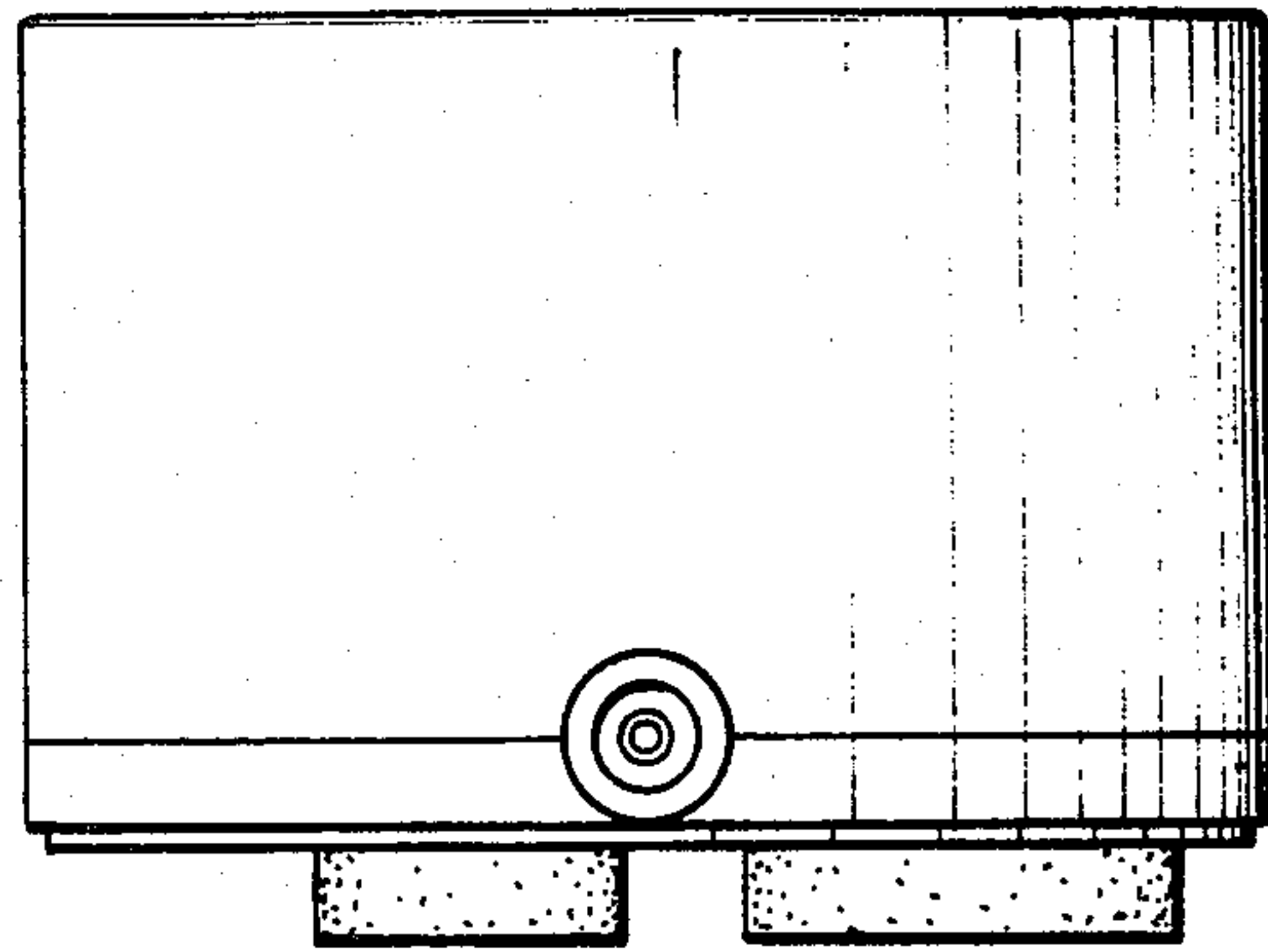


FIG. 4

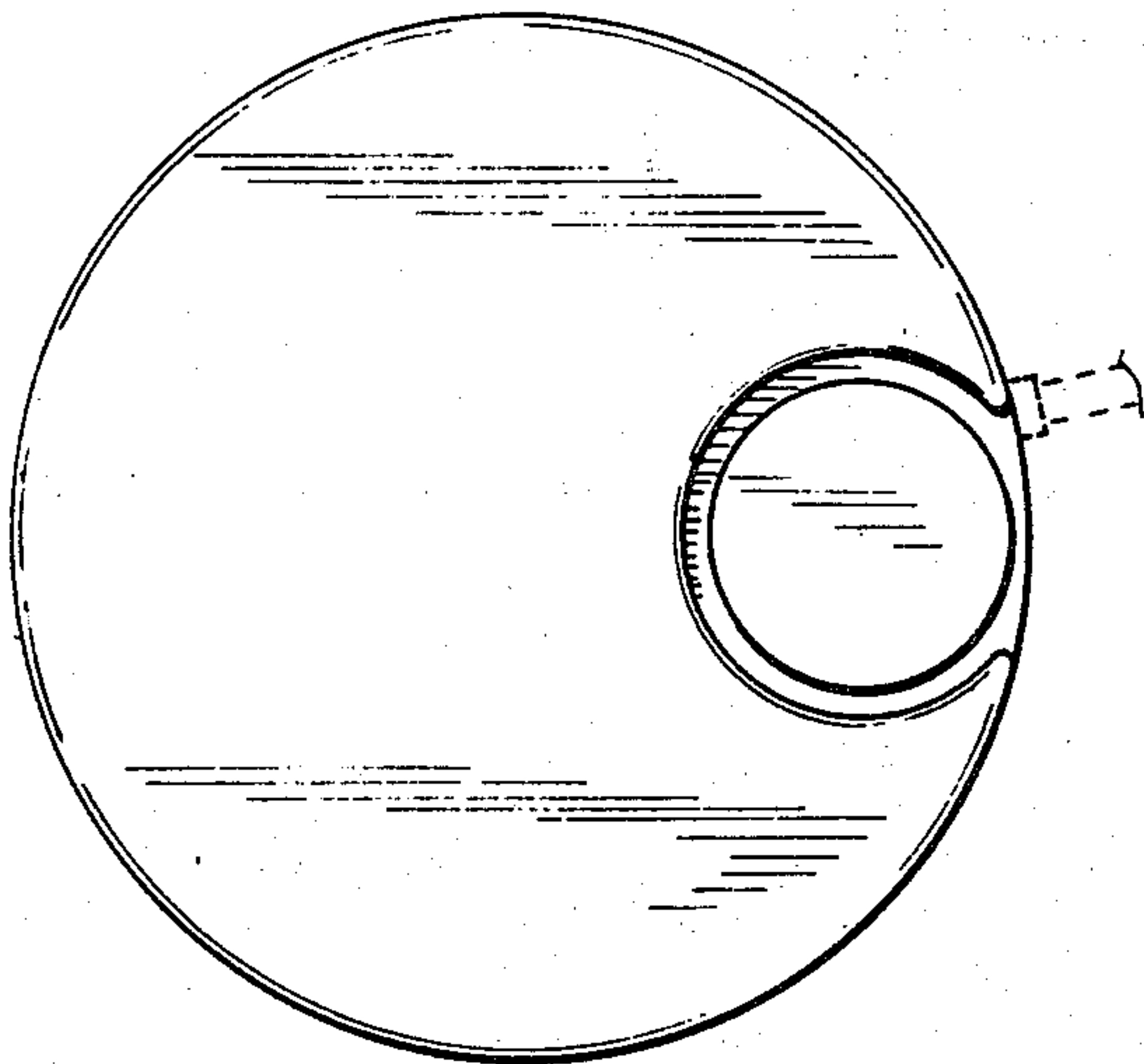


FIG. 5

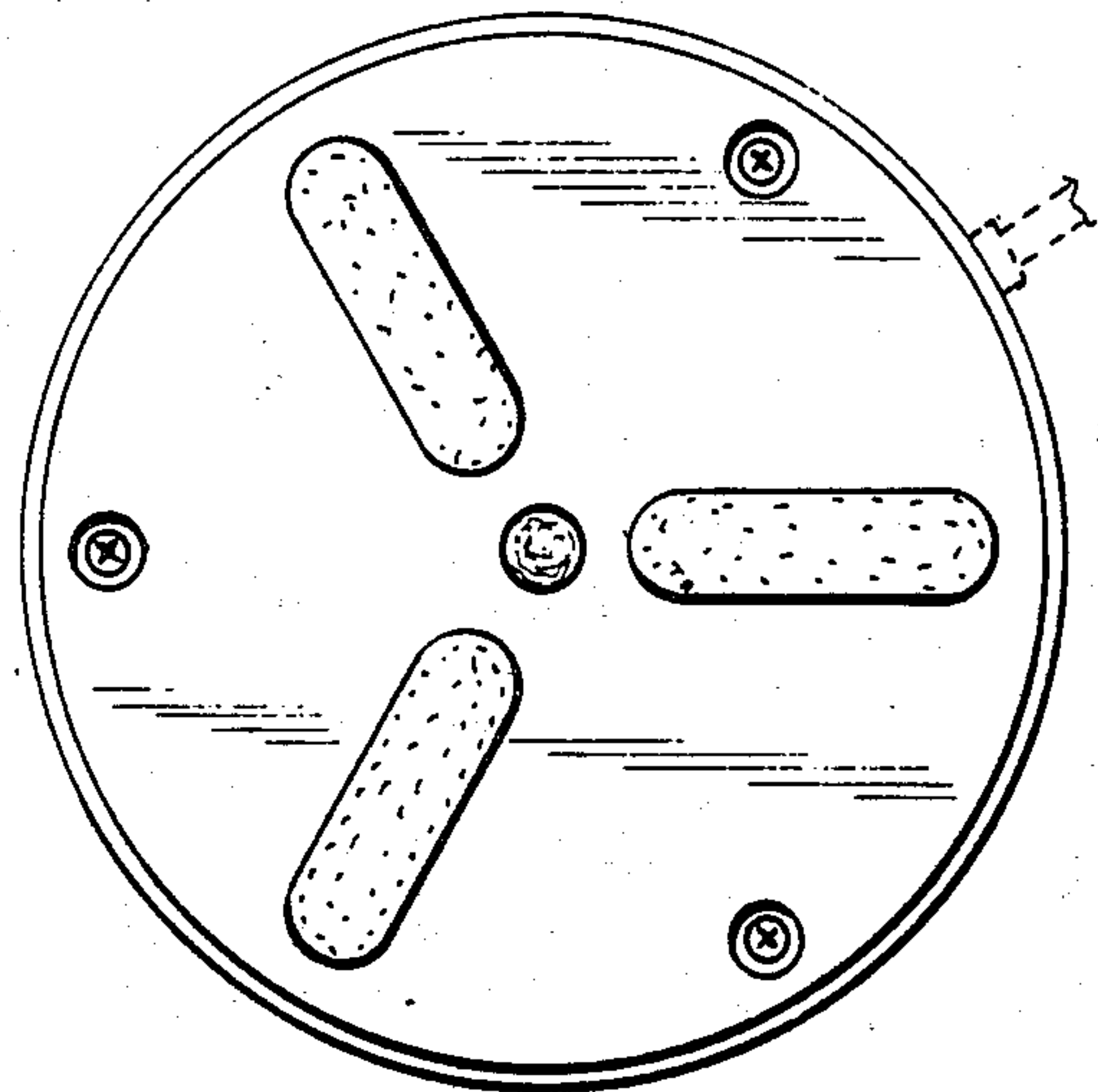


FIG. 6