

United States Patent [19]

Krapowicz

[11] Patent Number: **Des. 290,126**

[45] Date of Patent: **** Jun. 2, 1987**

[54] **PAINT DISPENSING PUMP**

[75] Inventor: **Jacob Krapowicz, Ridgefield, Conn.**

[73] Assignee: **The Scott & Fetzer Company,
Lakewood, Ohio**

[**] Term: **14 Years**

[21] Appl. No.: **612,673**

[22] Filed: **May 22, 1984**

[52] U.S. Cl. **D15/7**

[58] Field of Search **D15/7, 9; 366/605;
417/234, 572; 401/41, 48, 146, 203-204, 207,
218-219**

[56]

References Cited

U.S. PATENT DOCUMENTS

D. 281,070	10/1985	Karliner et al.	D15/7
2,677,839	5/1954	Dean	401/197
3,192,554	7/1965	Karkut	401/218
3,195,170	7/1965	Howard	401/146 X
3,457,017	7/1969	Bastian	401/146

4,072,429	2/1978	Terzian et al.	401/146
4,217,062	8/1980	Trp et al.	401/197 X
4,231,668	11/1980	Groth et al.	401/146
4,422,789	12/1983	Charney et al.	401/146 X
4,551,036	11/1985	Karliner et al.	401/146 X

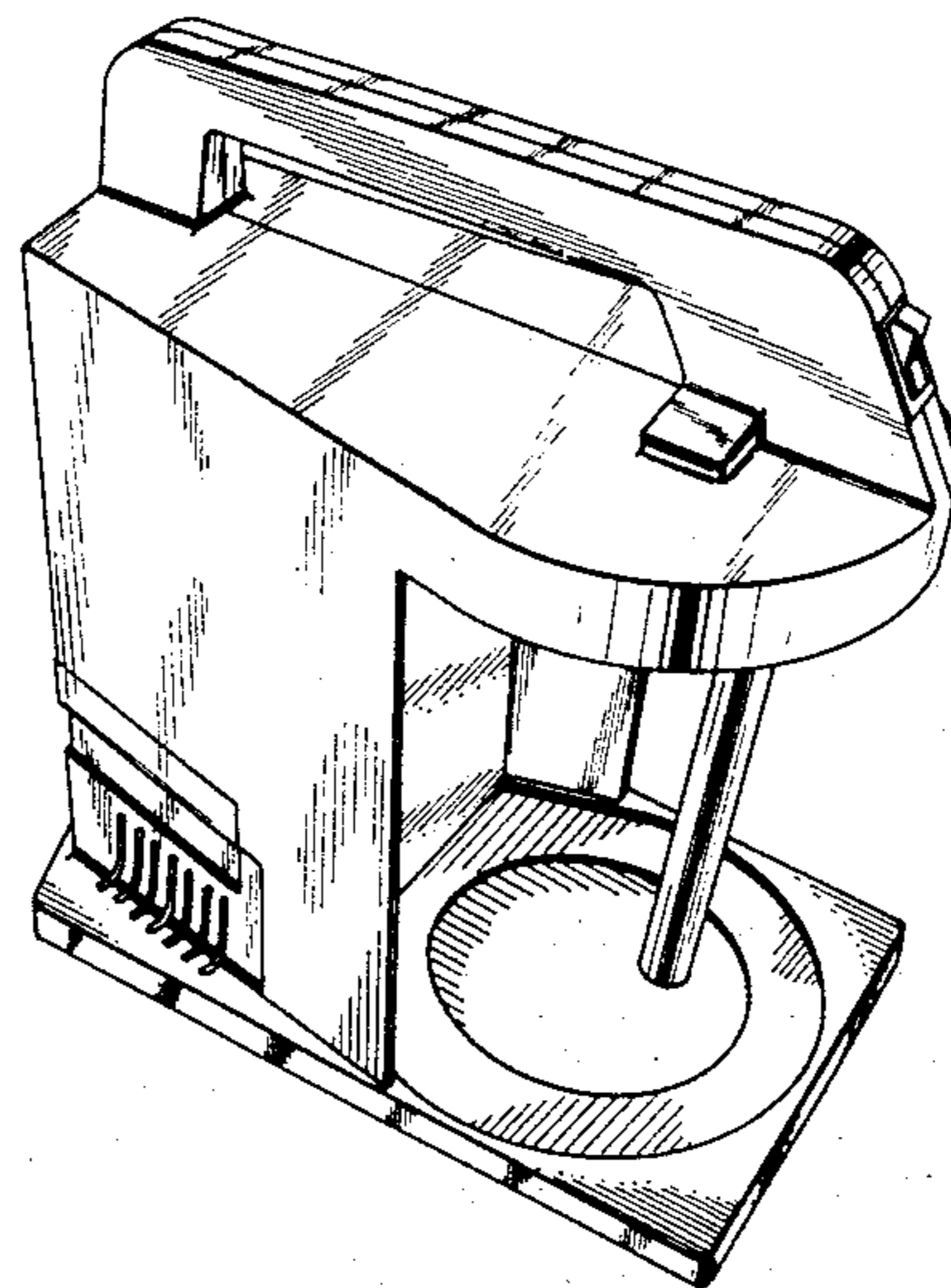
Primary Examiner—Wallace R. Burke
Assistant Examiner—Brian N. Vinson
Attorney, Agent, or Firm—Wood, Herron & Evans

[57] **CLAIM**

The ornamental design for a paint dispensing pump, as shown.

DESCRIPTION

FIG. 1 is a left side elevational view of a paint dispensing pump showing my new design;
FIG. 2 is a reduced right side elevational view thereof;
FIG. 3 is a reduced top plan view thereof;
FIG. 4 is a reduced front elevational view thereof;
FIG. 5 is a reduced rear elevational view thereof;
FIG. 6 is a bottom plan view thereof; and
FIG. 7 is a top perspective view thereof.



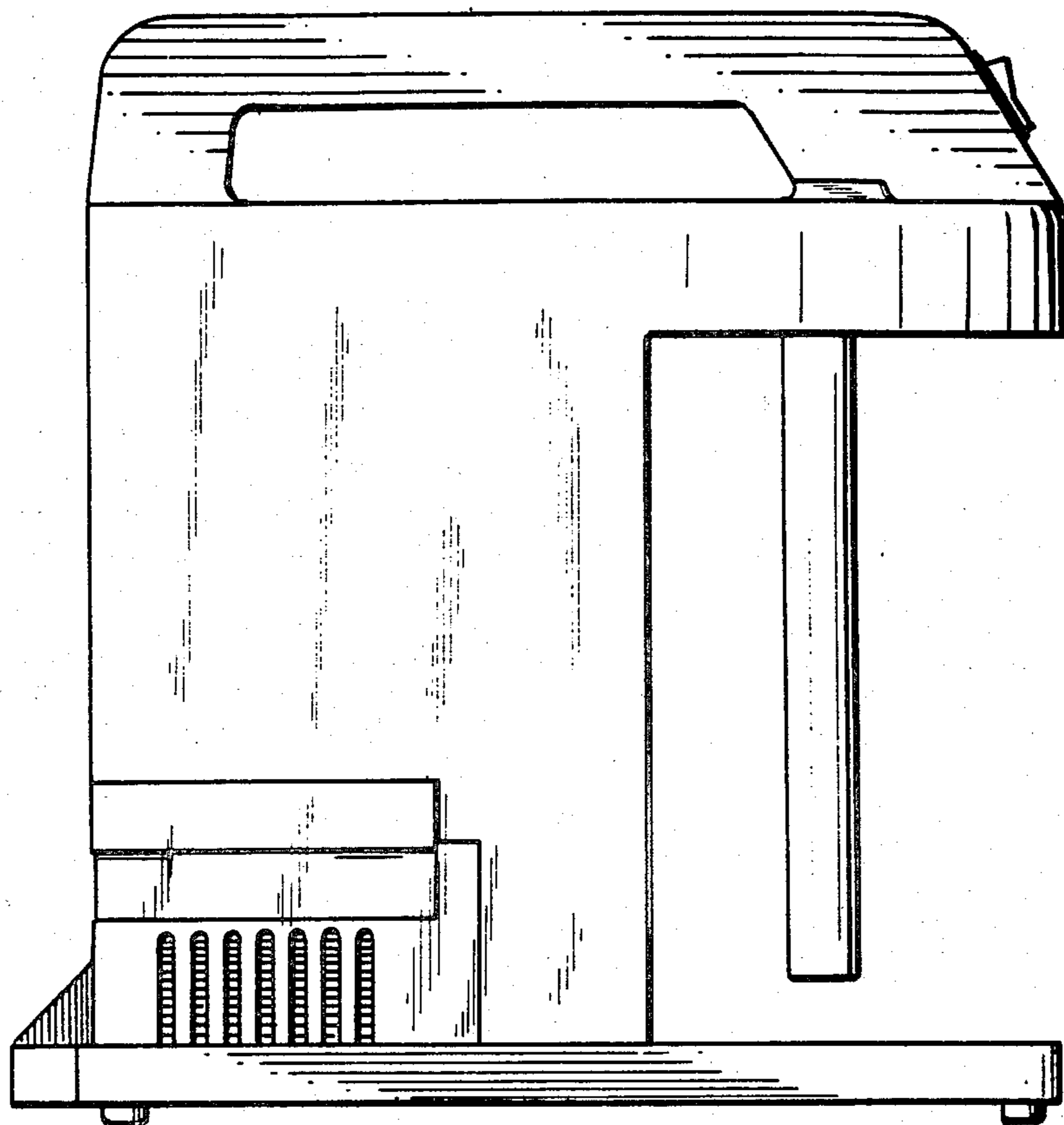


FIG. 1

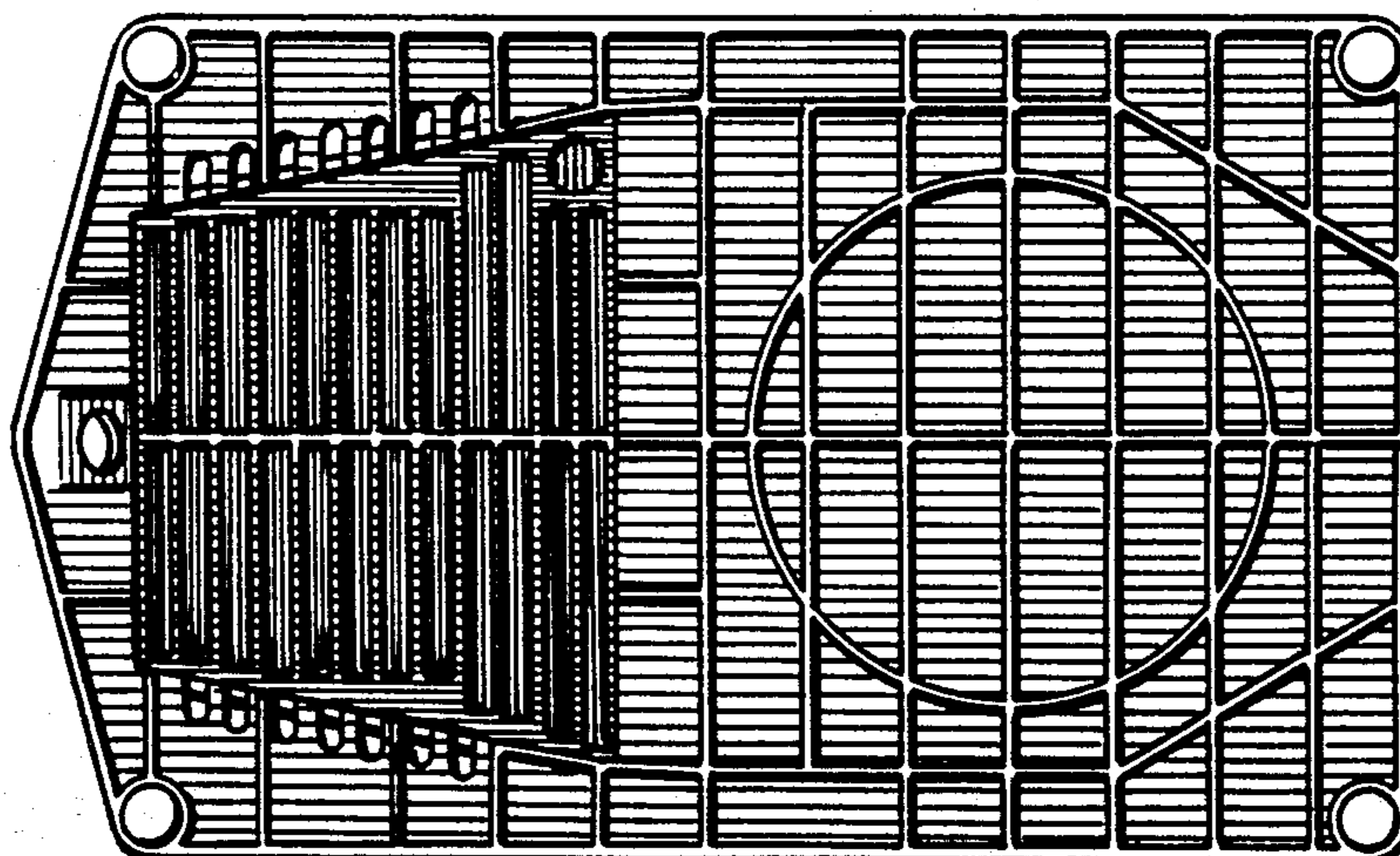


FIG. 6

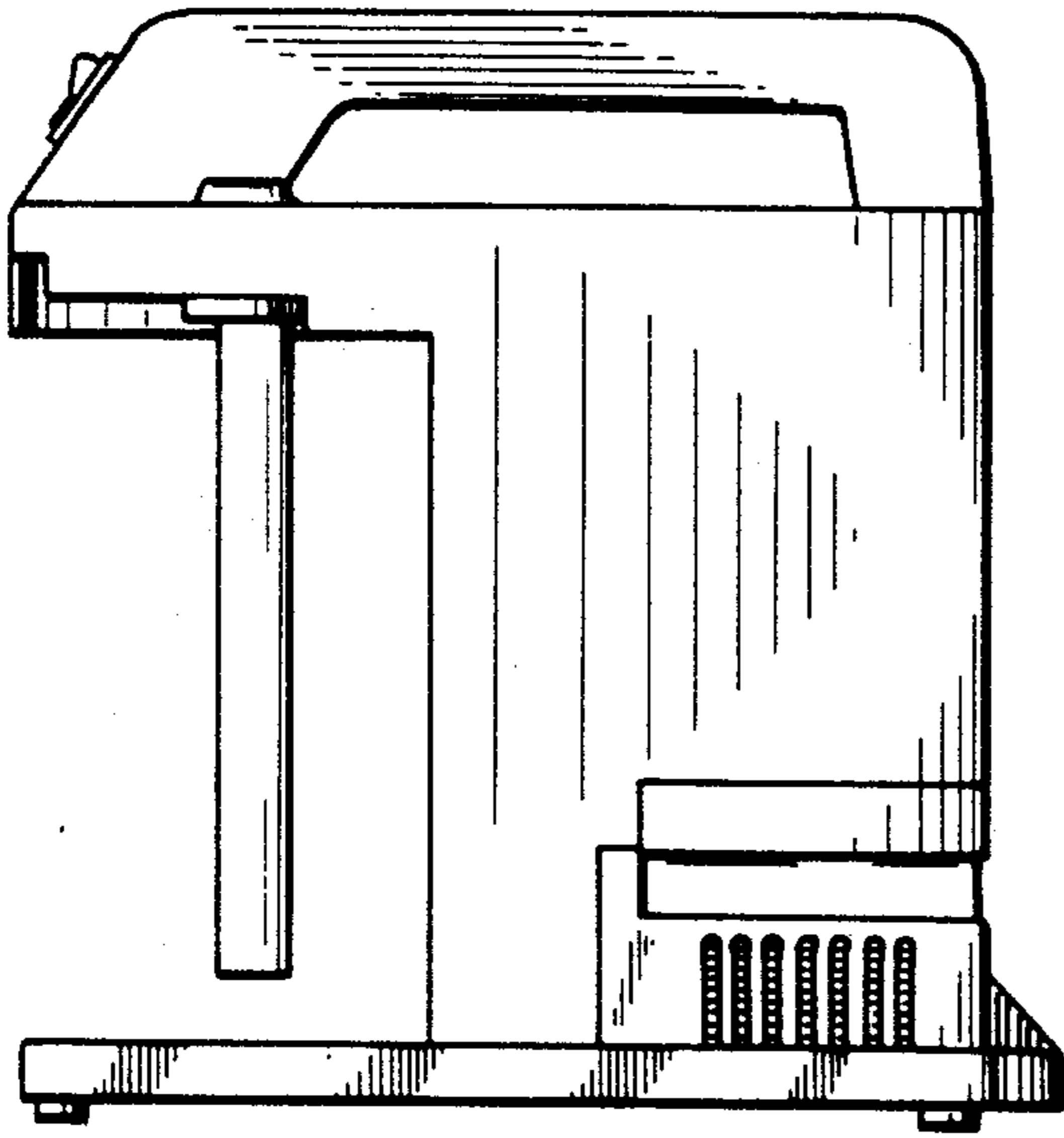


FIG. 2

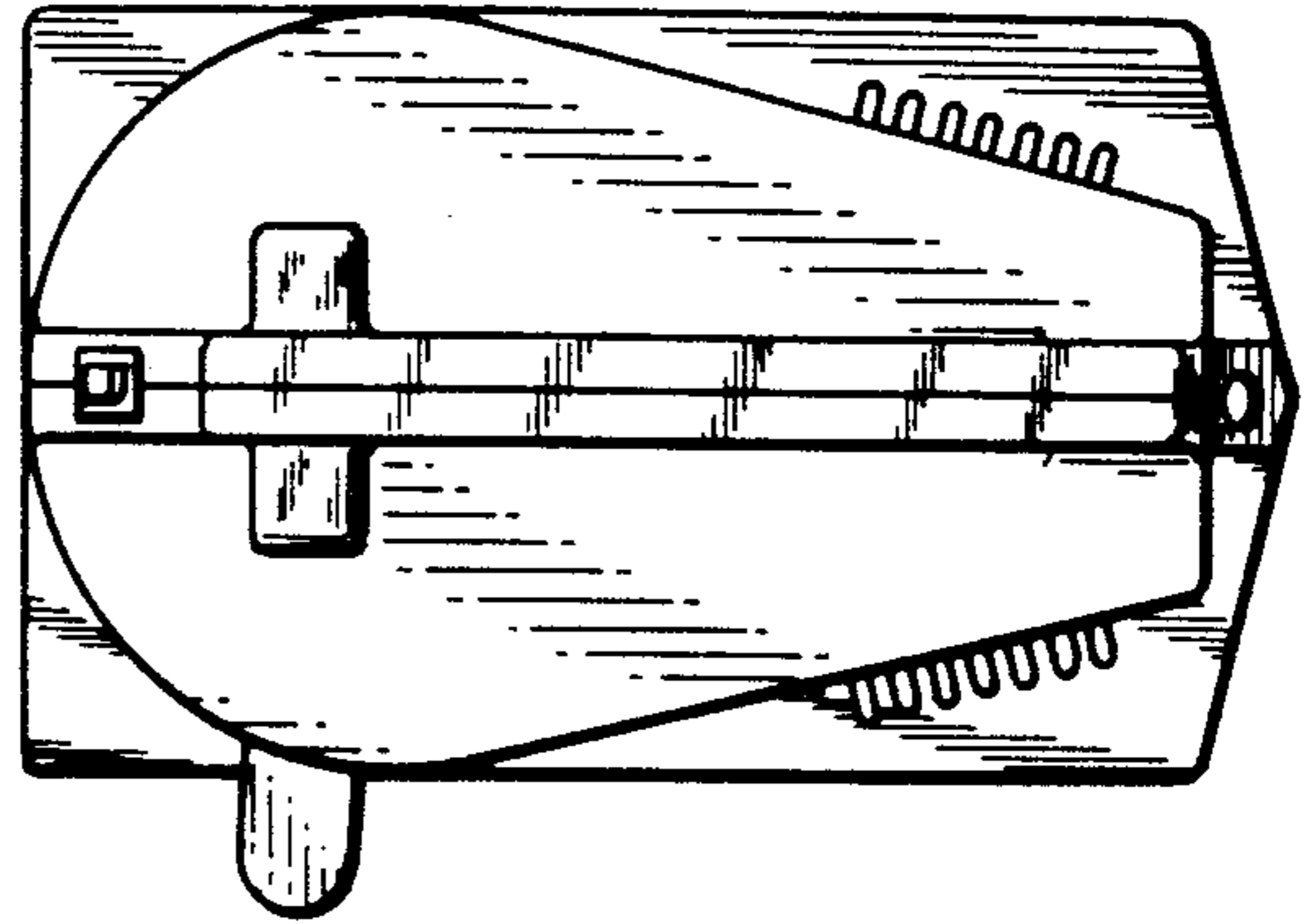


FIG. 3

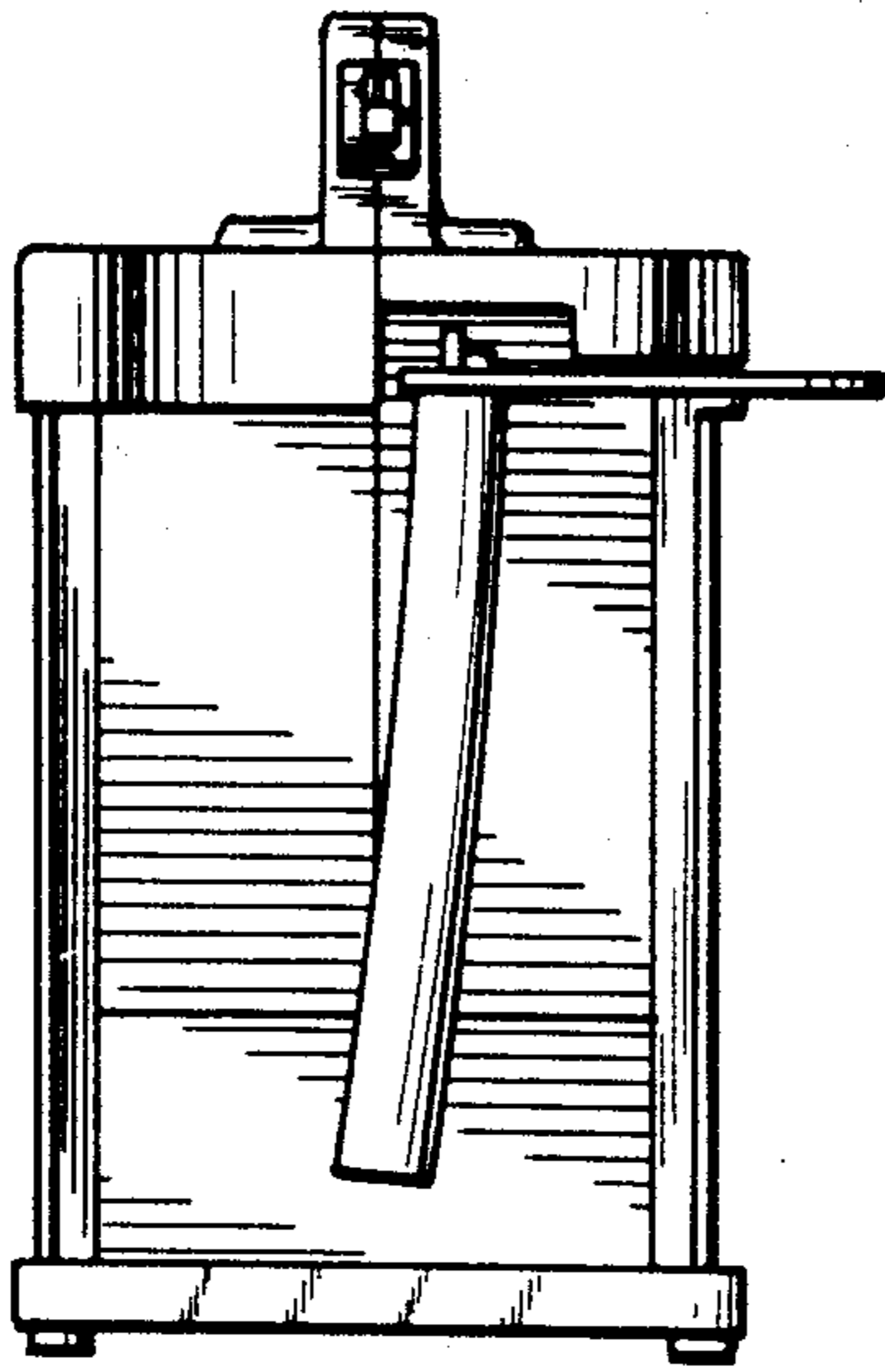


FIG. 4

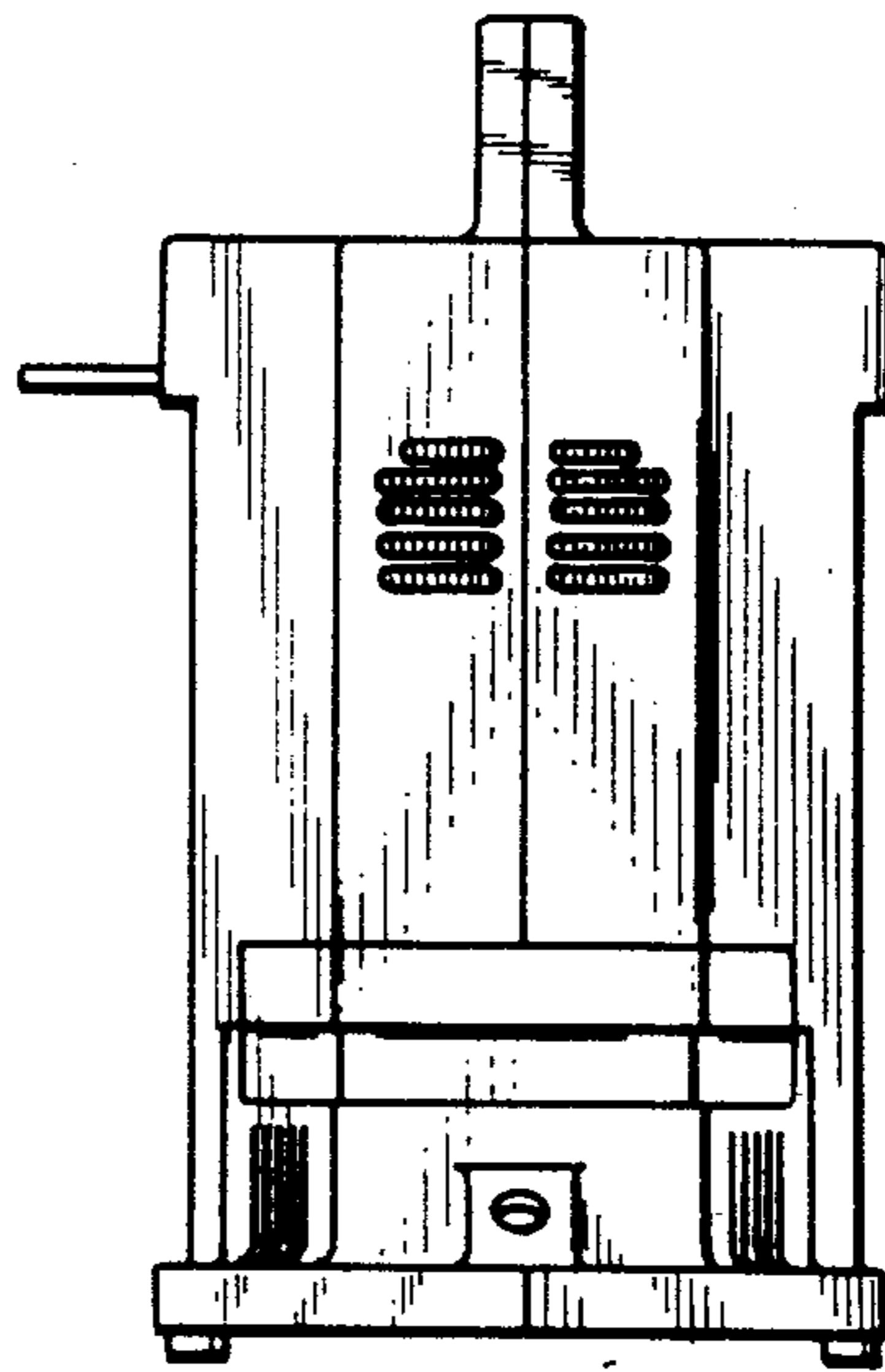


FIG. 5

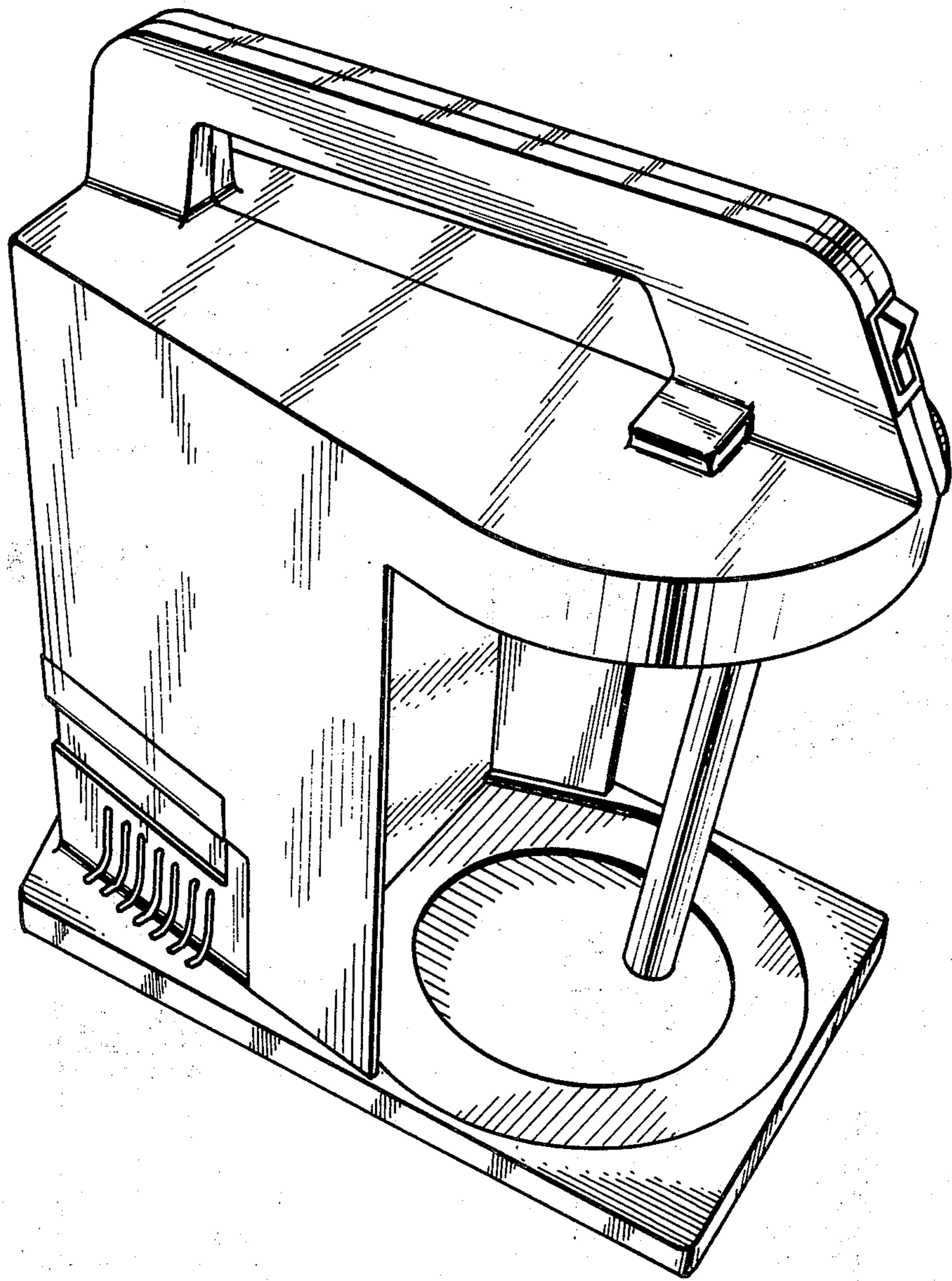


FIG. 7