

[54] **PRINTER FOR ELECTRONIC COMPUTER OR THE LIKE**

[75] Inventor: Haruhiko Takahashi, Tokyo, Japan

[73] Assignee: International Business Machines Corporation, Armonk, N.Y.

[**] Term: 14 Years

[21] Appl. No.: 664,281

[22] Filed: Oct. 24, 1984

[30] **Foreign Application Priority Data**

May 17, 1984 [JP] Japan 59-19728
[52] U.S. Cl. D14/111
[58] Field of Search D14/100, 107, 111, 114;
D18/13, 22, 23; 400/690.1, 691, 693

[56] **References Cited**

U.S. PATENT DOCUMENTS

- D. 260,516 1/1981 Giannotti, Jr. et al. .
- D. 266,849 11/1982 Meister, Jr. et al. .
- D. 276,725 12/1984 Izaki D14/111

OTHER PUBLICATIONS

Byte, 5-1983, inside front cover, Apple Printer, bottom left.
Canon Computer Systems, Color Printer A-1210 Brochure, Printer.
Computer Design, 5-1983, p. 136, Thermal Printer.
Jade Computer Products Catalog, Spring 1983, p. 16, Epson FX-80 Dot-Matrix Printer.

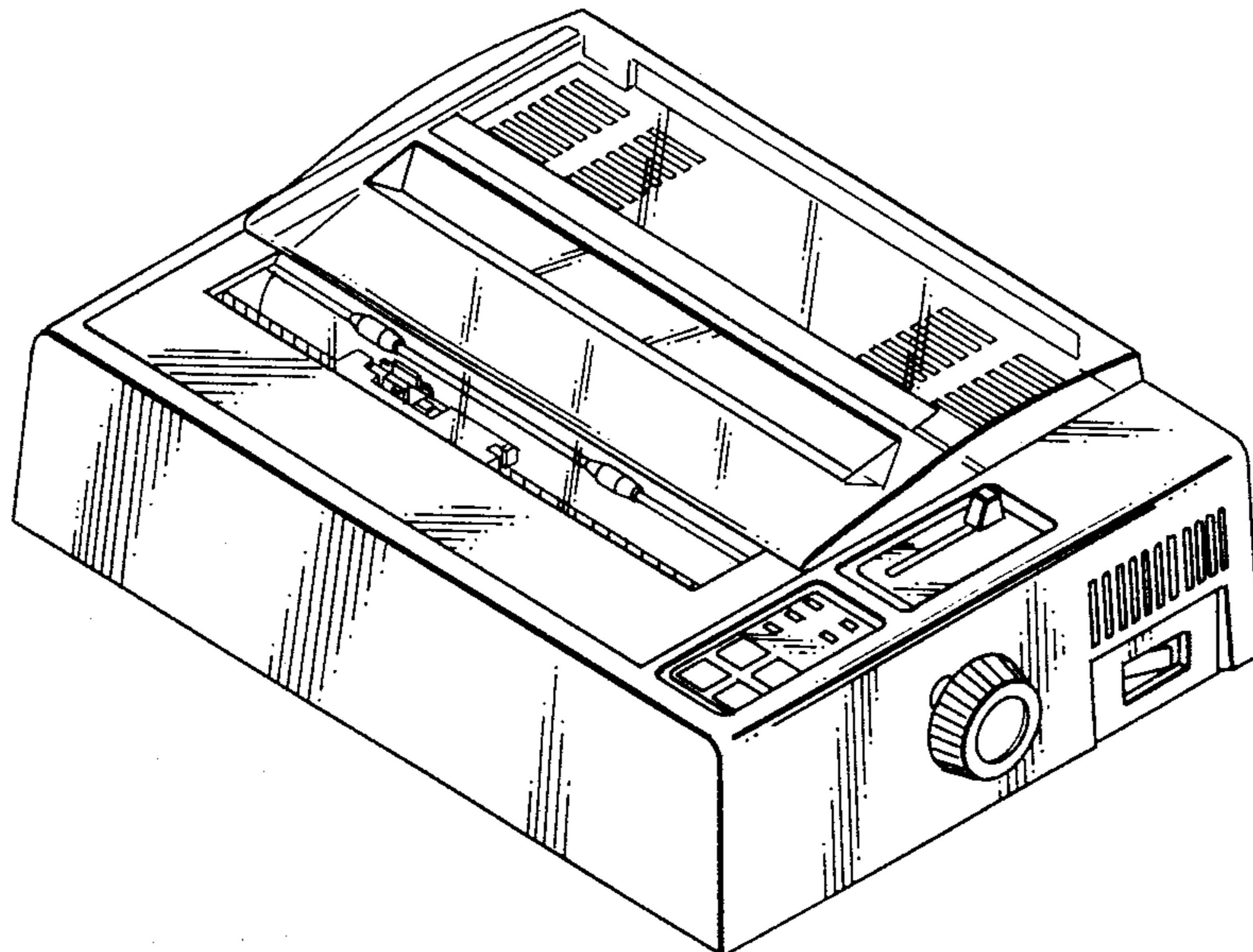
Primary Examiner—Lucas Susan J.
Attorney, Agent, or Firm—Andrea P. Bryant

[57] **CLAIM**

The ornamental design for a printer for electronic computer or the like, substantially as shown and described.

DESCRIPTION

FIG. 1 is a top, front right side perspective view of a printer for electronic computer, or the like showing my new design.
FIG. 2 is a front elevational view thereof.
FIG. 3 is a rear elevational view thereof.
FIG. 4 is a top plan view thereof.
FIG. 5 is a bottom view thereof.
FIG. 6 is a left side elevational view thereof.
FIG. 7 is a right side elevational view thereof.



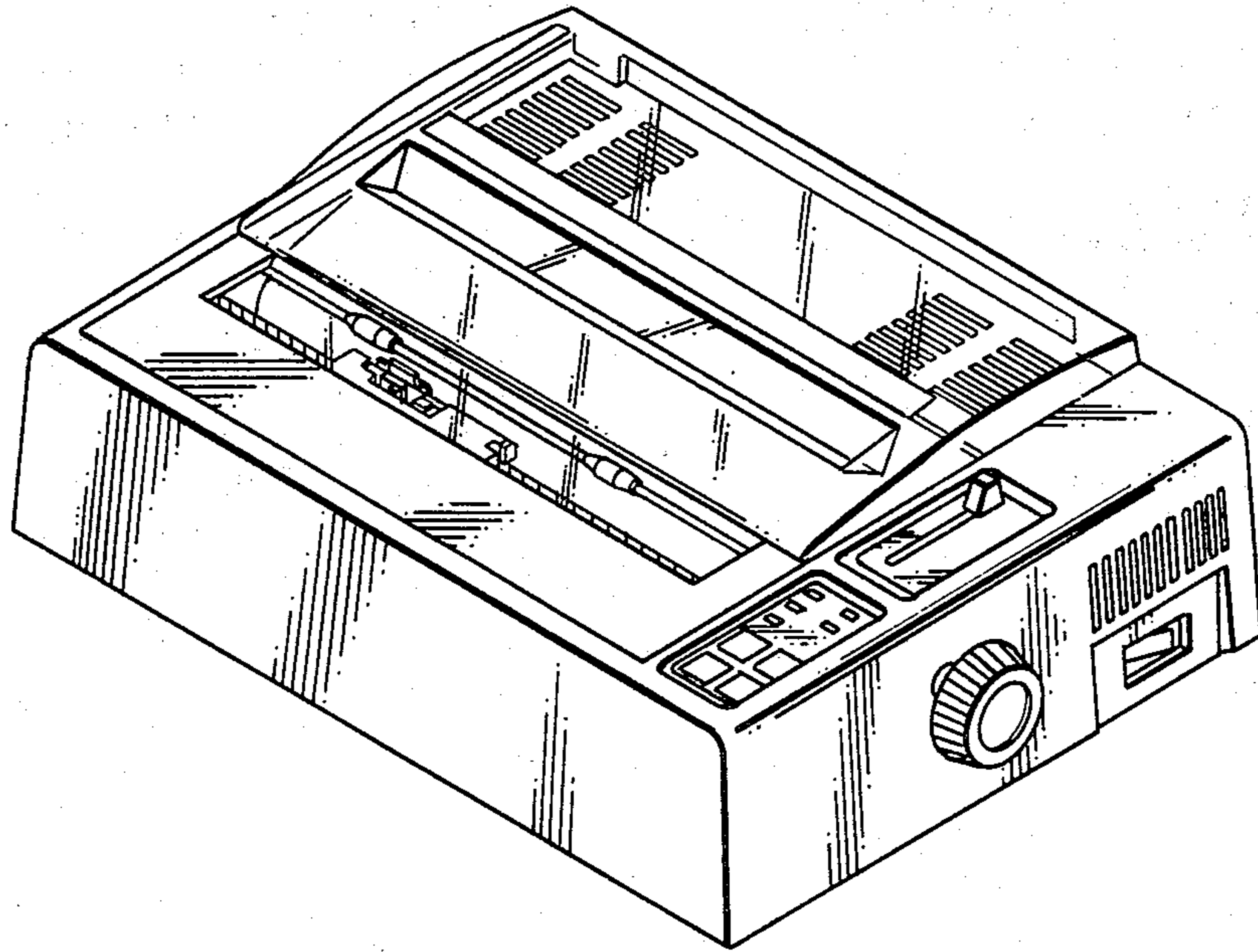


FIG. 4

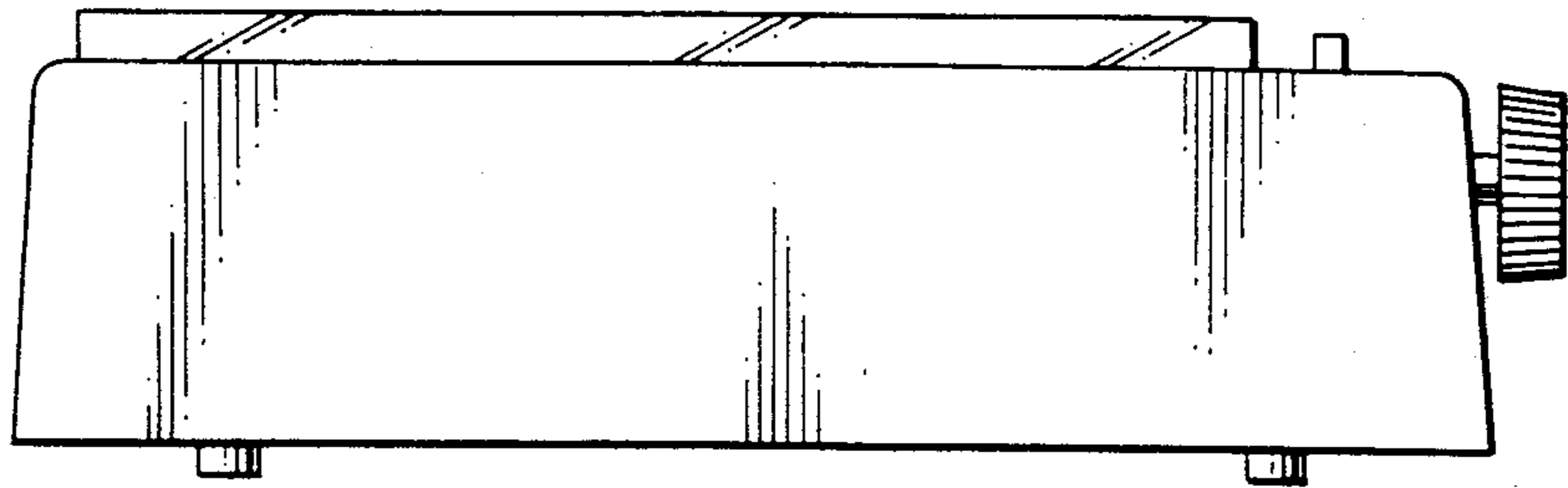


FIG. 2

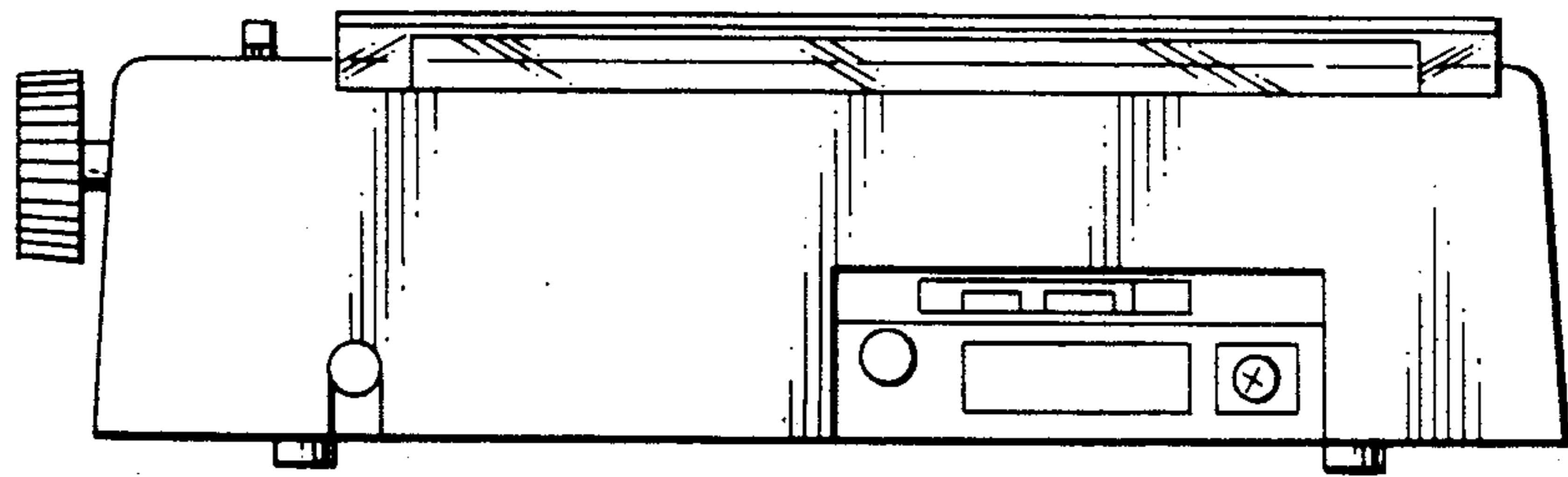


FIG. 3

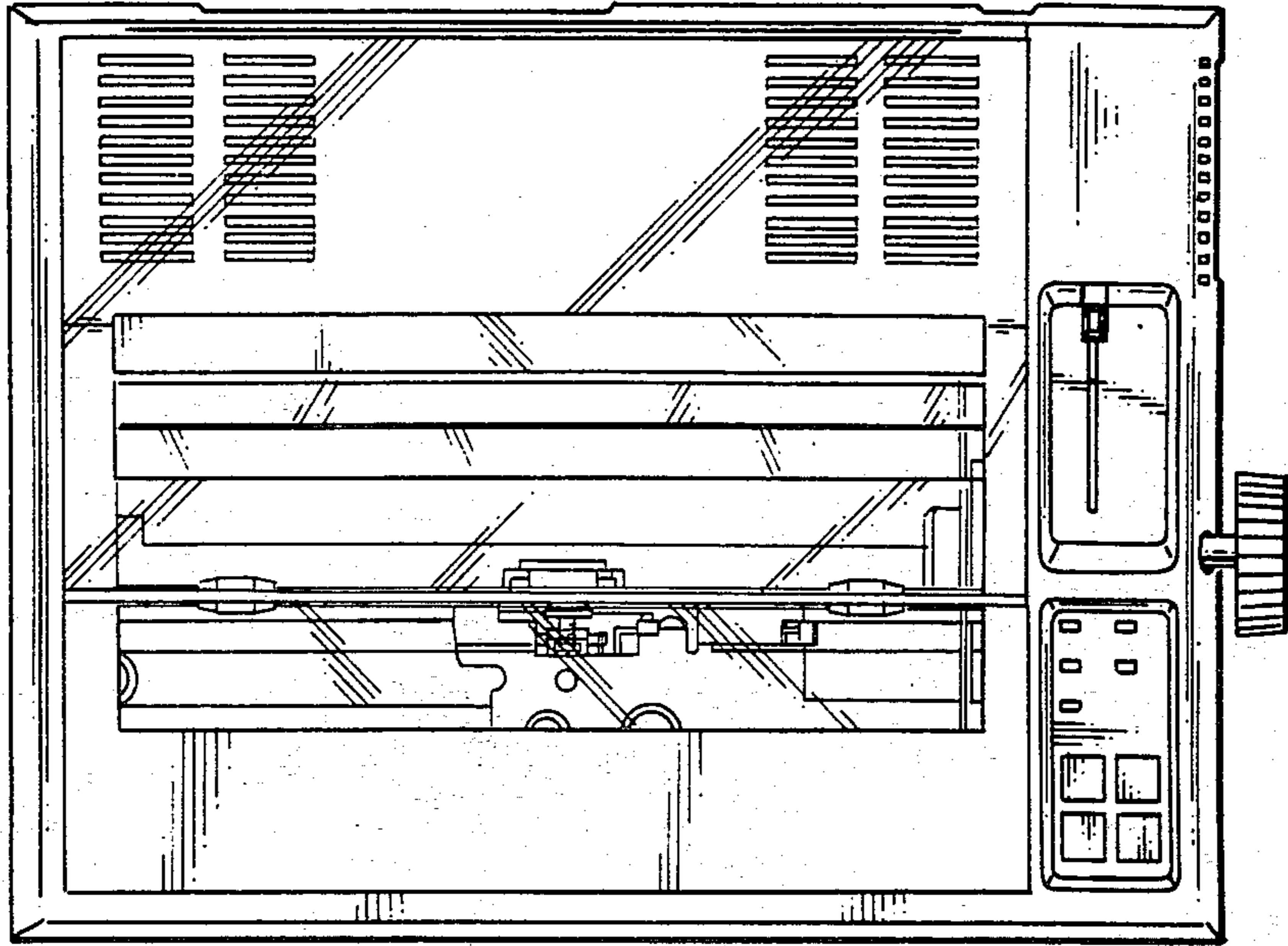


FIG. 4

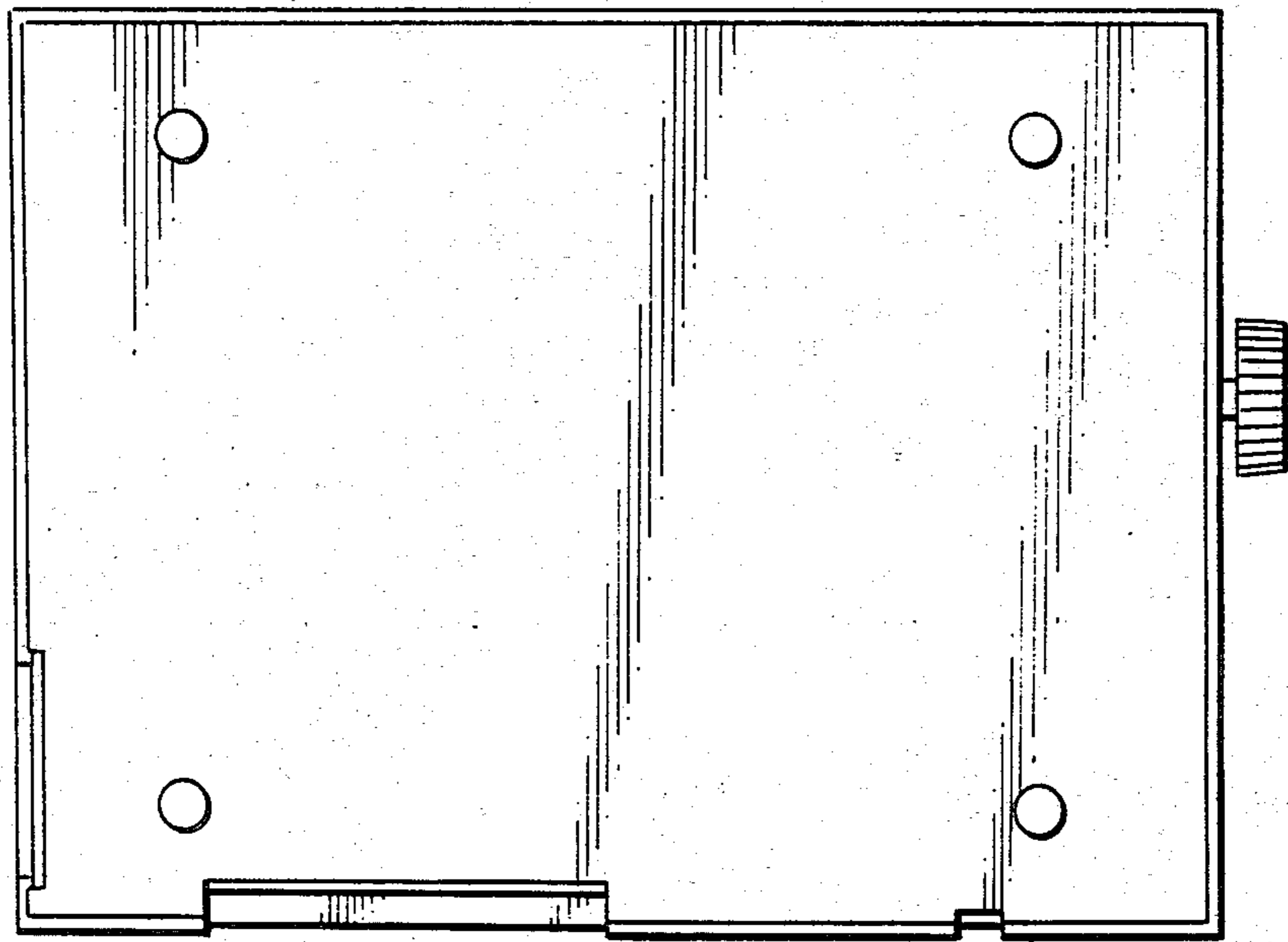


FIG. 5

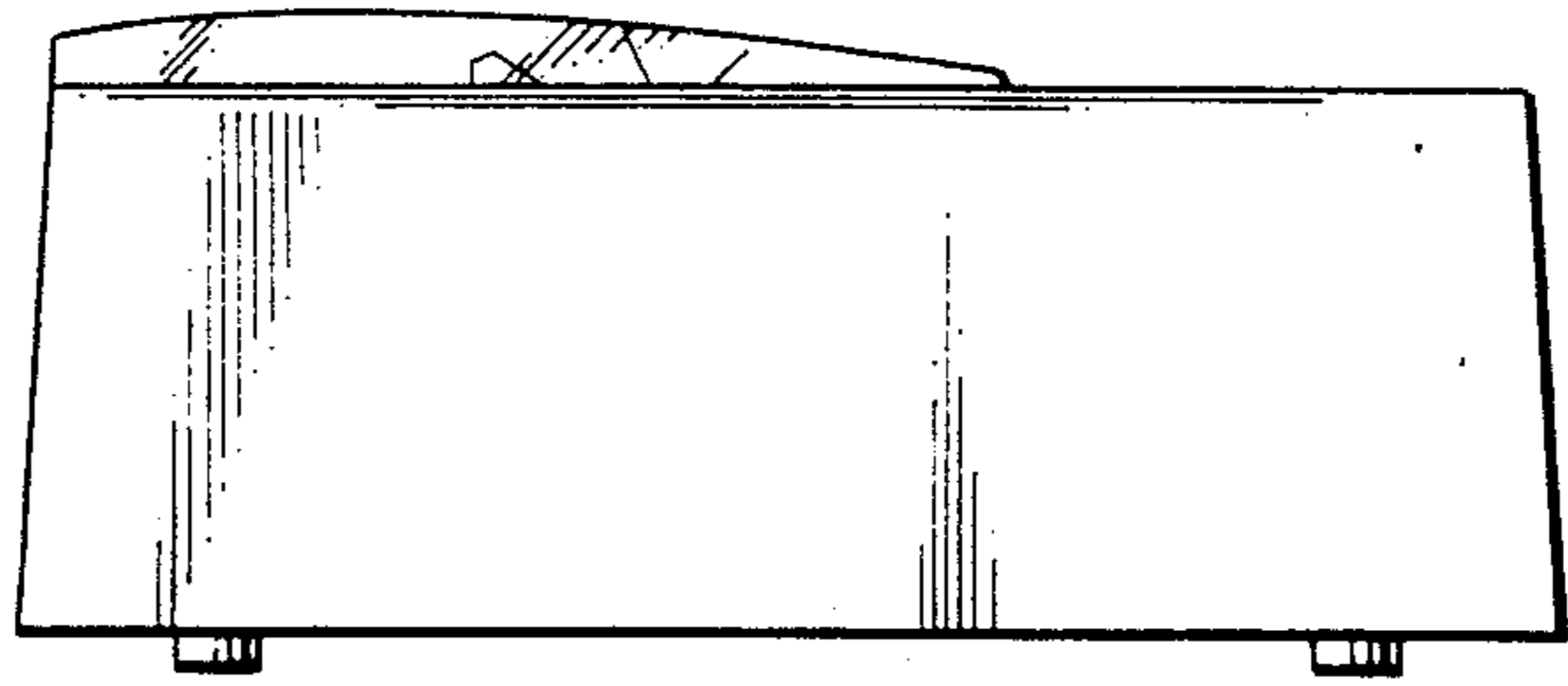


FIG. 6

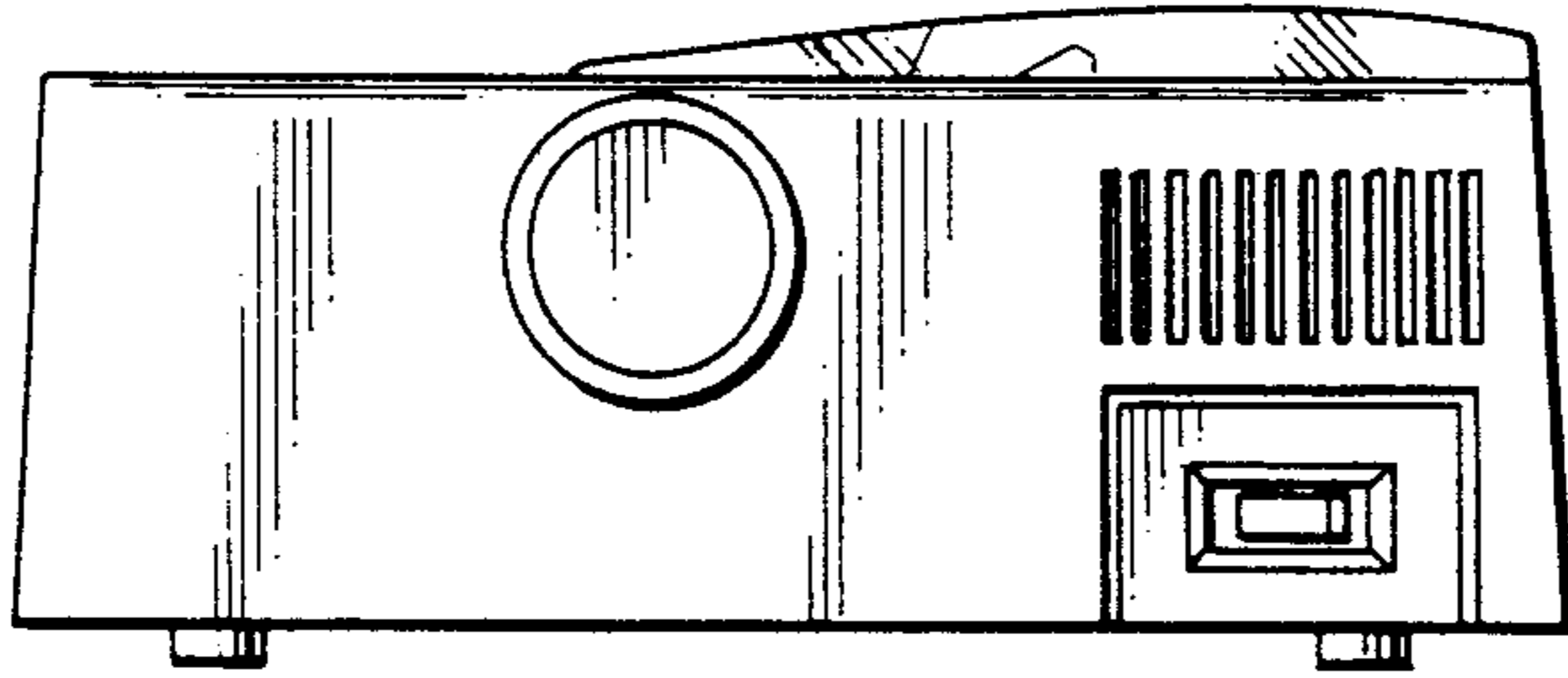


FIG. 7