

[54] COMBINED VIDEO CAMERA AND TAPE RECORDER OR THE LIKE

[75] Inventor: Akinari Mohri, Tokyo, Japan

[73] Assignee: Sony Corporation, Tokyo, Japan

[**] Term: 14 Years

[21] Appl. No.: 665,116

[22] Filed: Oct. 26, 1984

[30] Foreign Application Priority Data

May 30, 1984 [JP] Japan 59-22173

[52] U.S. Cl. D14/78; D14/5; D16/4

[58] Field of Search D14/1, 2, 5, 6, 77, D14/78, 99, 4; 358/229, 906; 352/72, 242

[56] References Cited

U.S. PATENT DOCUMENTS

D. 281,684 12/1985 Hyuga et al. D14/6 X

D. 282,656 2/1986 Mohri D14/5

OTHER PUBLICATIONS

Sony Corporation brochure, -EAWMG-1, Jul. 1983.

Primary Examiner—Bernard Ansher

Assistant Examiner—Theodore M. Shooman

Attorney, Agent, or Firm—Lewis H. Eslinger; Alvin Sinderbrand

[57] CLAIM

The ornamental design for combined video camera and tape recorder or the like, as shown.

DESCRIPTION

FIG. 1 is a top, front and left side perspective view of a combined video camera and tape recorder or the like showing my new design;

FIG. 2 is a front elevational view;

FIG. 3 is a rear elevational view;

FIG. 4 is a left-side elevational view;

FIG. 5 is a right-side elevational view;

FIG. 6 is a top plan view; and

FIG. 7 is a bottom plan view.

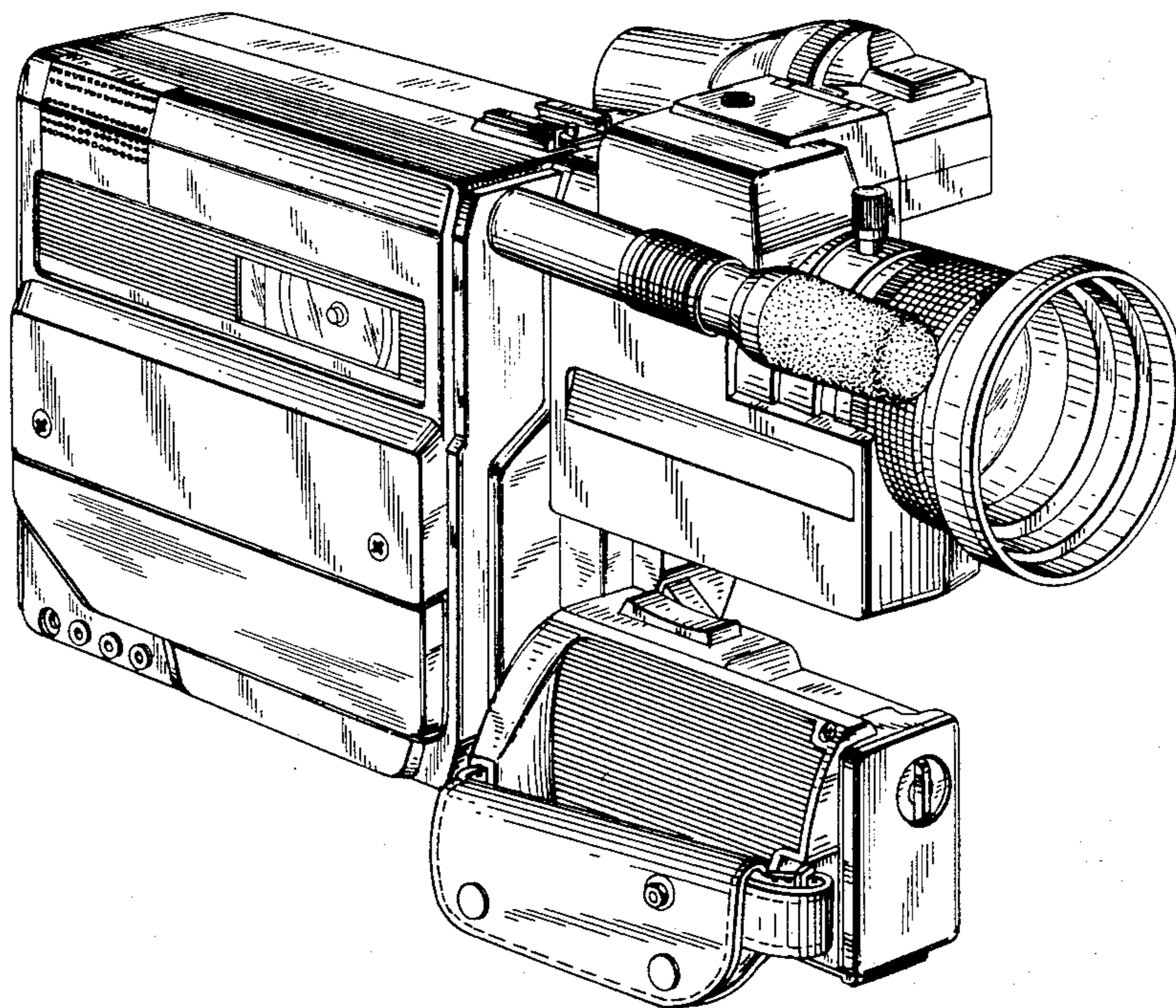


FIG. 1

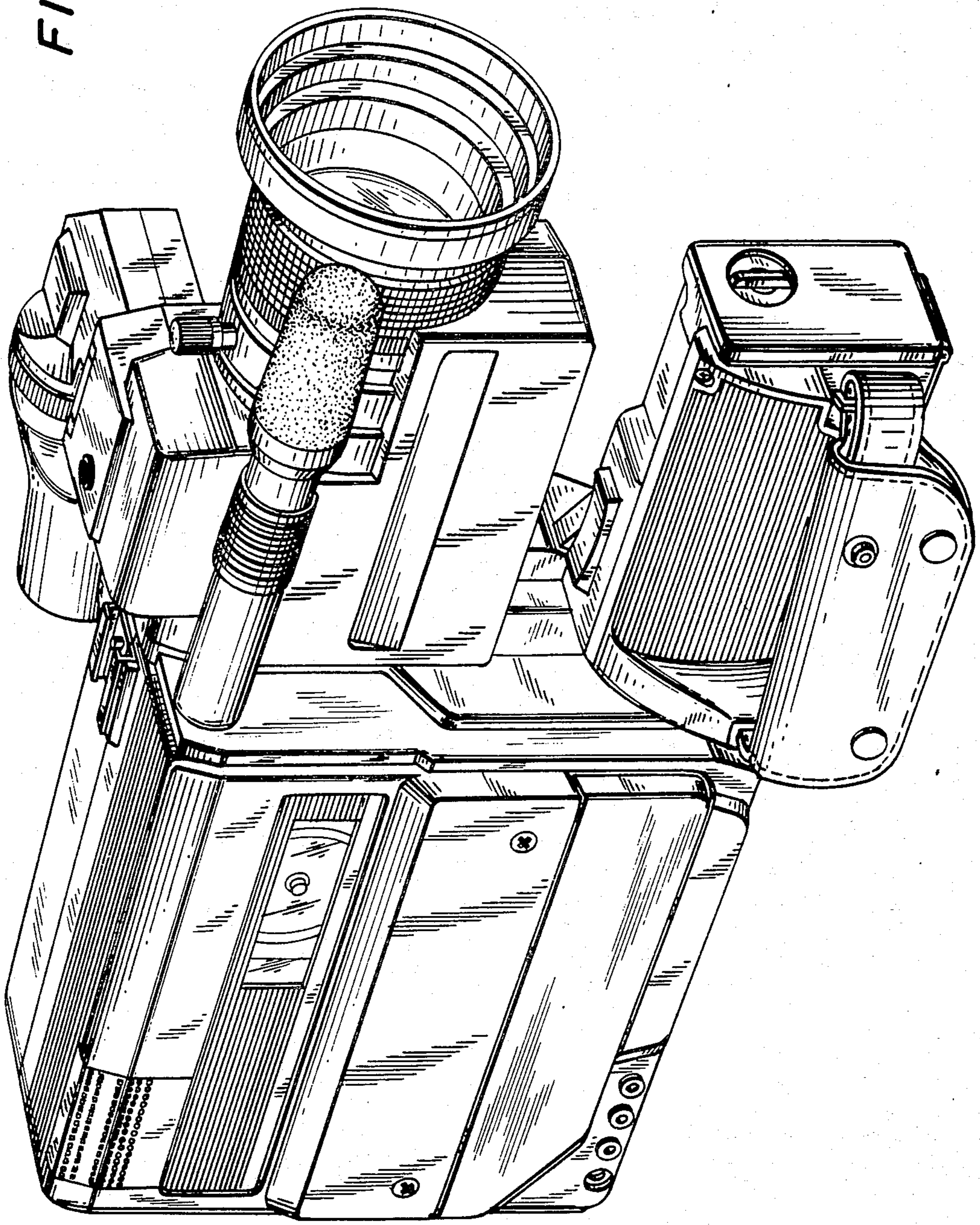


FIG. 2

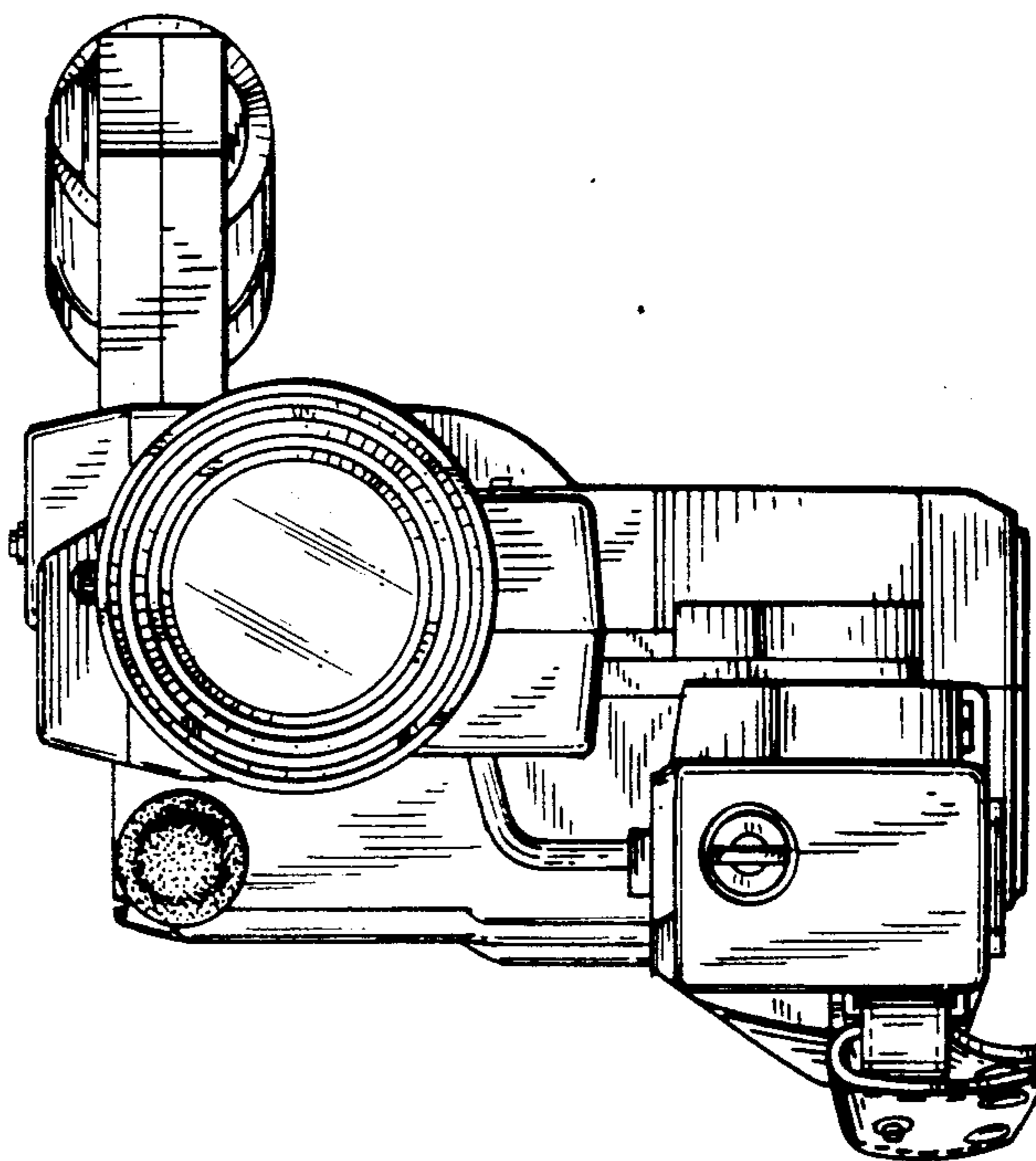


FIG. 4

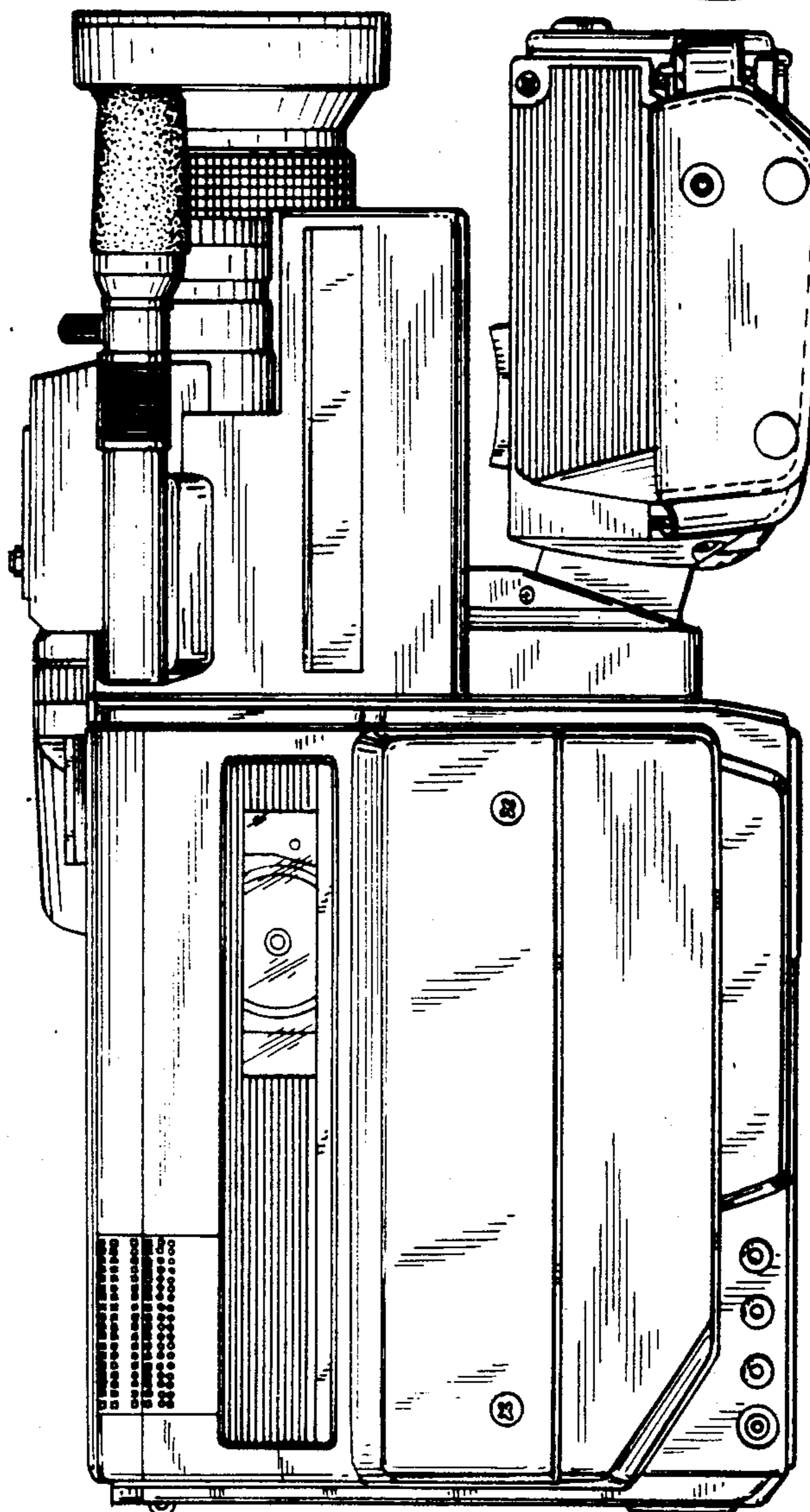


FIG. 3

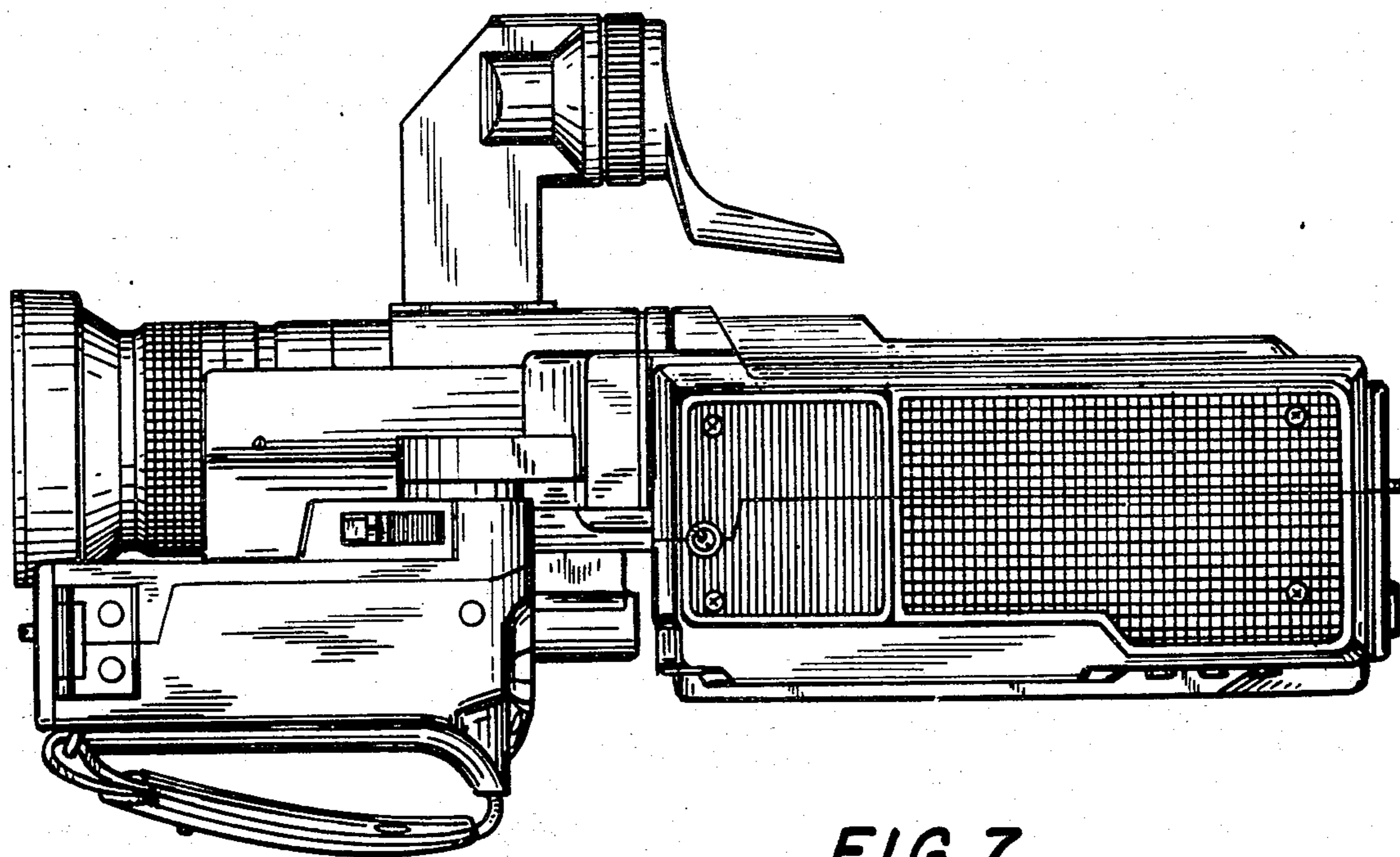
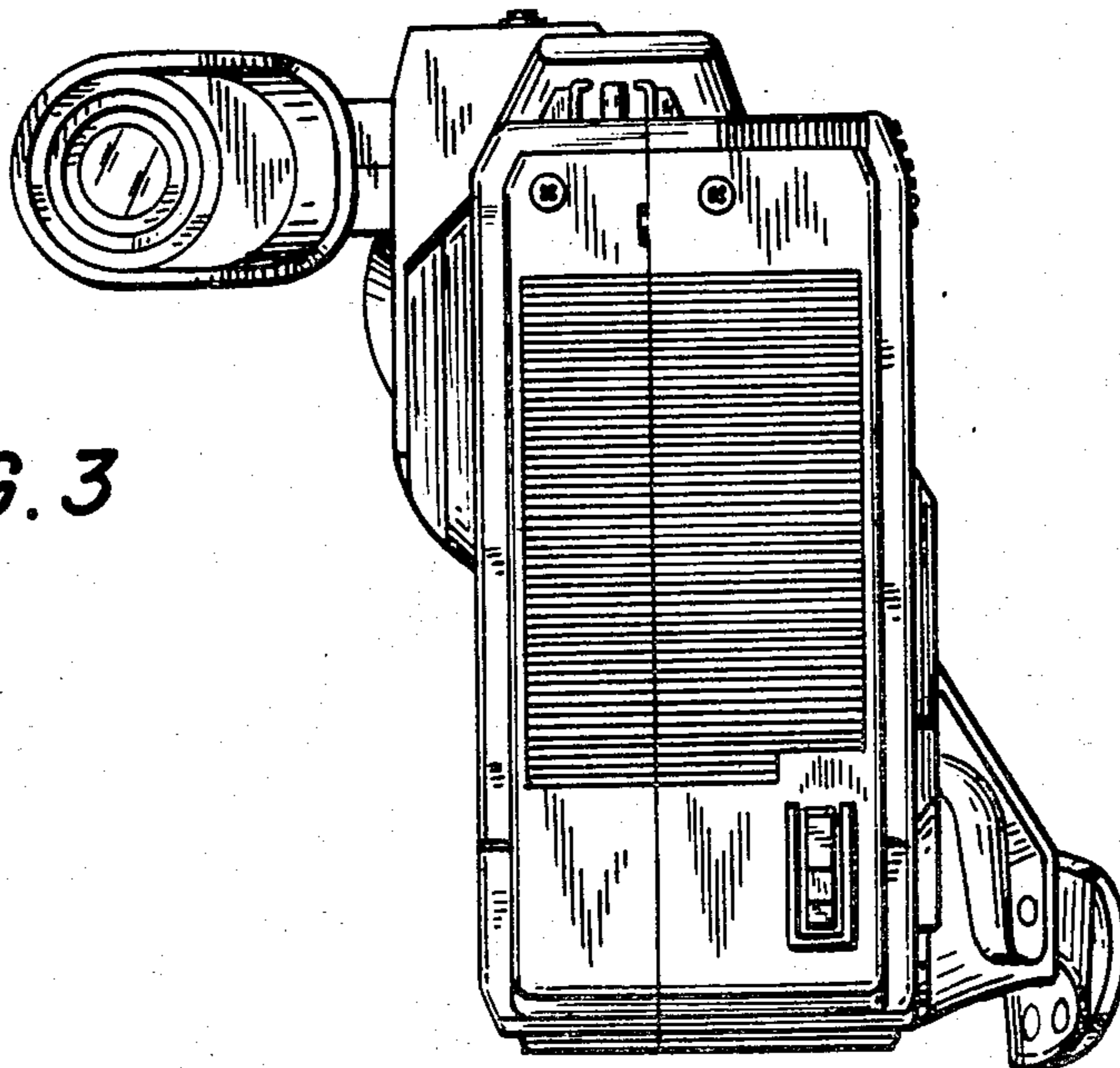


FIG. 7

FIG. 5

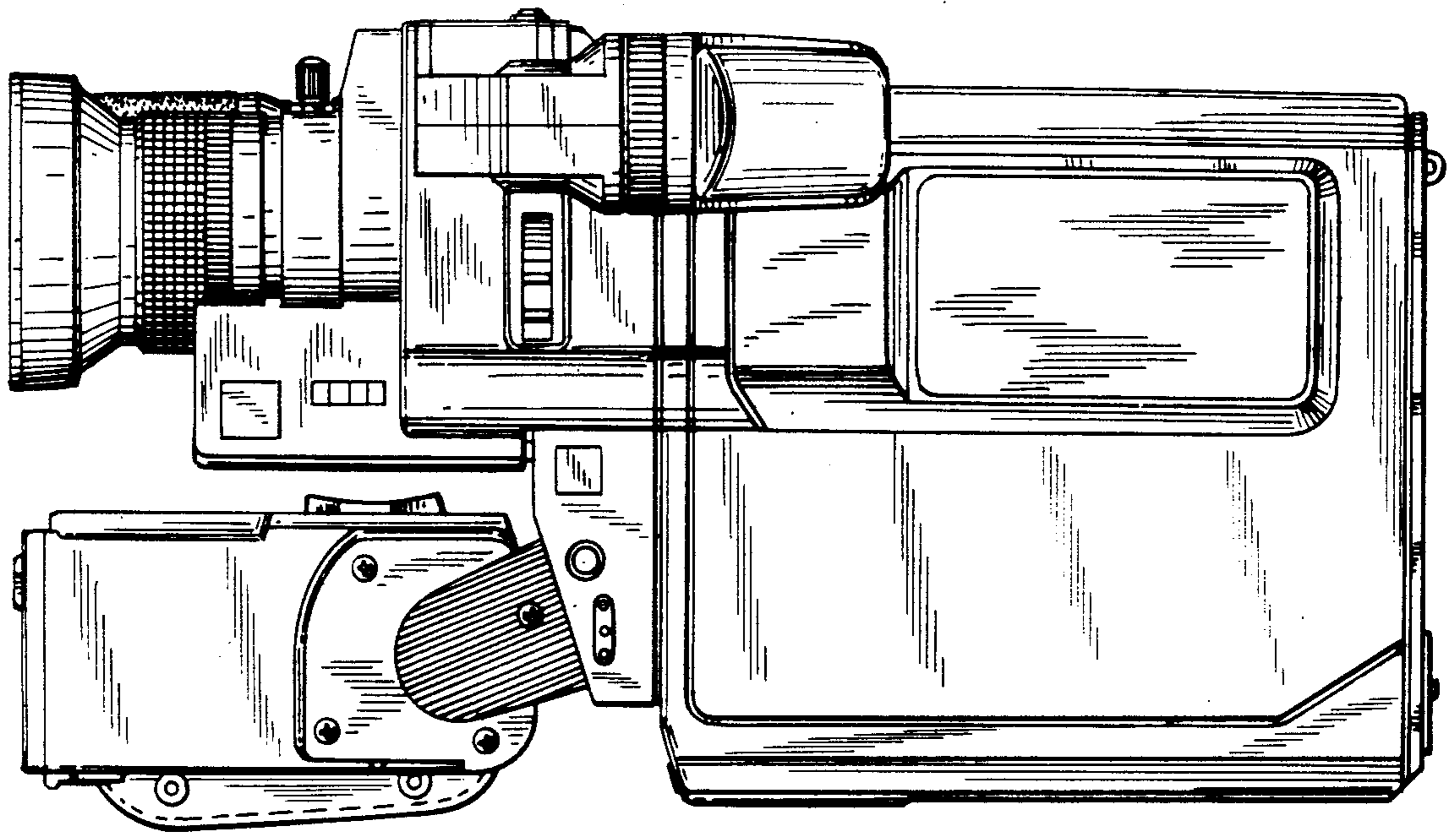


FIG. 6

