

United States Patent [19]

Justiano et al.

[11] Patent Number: **Des. 290,109**

[45] Date of Patent: **** Jun. 2, 1987**

[54] **ELECTRICAL CONNECTOR**

[75] Inventors: **Joseph G. Justiano**, Bethpage;
Wolfgang F. Bienwald, Melville, both
of N.Y.

[73] Assignee: **Leviton Manufacturing Company,**
Inc., Little Neck, N.Y.

[**] Term: **14 Years**

[21] Appl. No.: **667,698**

[22] Filed: **Nov. 2, 1984**

[52] U.S. Cl. **D13/24**

[58] Field of Search **D7/407; D13/13, 24,**
D13/40, 99; 174/50, 52, 59-60, 65 R, 99 R, 126
R; 338/230, 232, 236, 243, 252, 271-273, 275;
339/276 R, 137-138, 142, 176 R, 217 S, 258 R,
258 S

[56] **References Cited**

U.S. PATENT DOCUMENTS

D. 207,488 4/1967 Reynolds **D13/24**

3,864,004 2/1975 Friend 339/258 R
4,231,362 11/1980 Badoz et al. 339/176 R
4,390,231 6/1983 Plyer et al. 339/217 S
4,408,824 10/1983 Weidler 339/258 R

Primary Examiner—Wallace R. Burke
Assistant Examiner—Ruth E. Takemoto
Attorney, Agent, or Firm—Paul J. Sutton

[57] **CLAIM**

The ornamental design for an electrical connector, as shown and described.

DESCRIPTION

FIG. 1 is a top plan view of an electrical connector showing my new design;
FIG. 2 is a rear elevational view thereof;
FIG. 3 is a left side elevational view thereof, the right side being a mirror image;
FIG. 4 is a front elevational view thereof;
FIG. 5 is a bottom plan view thereof; and
FIG. 6 is a front, bottom and right side perspective view thereof.

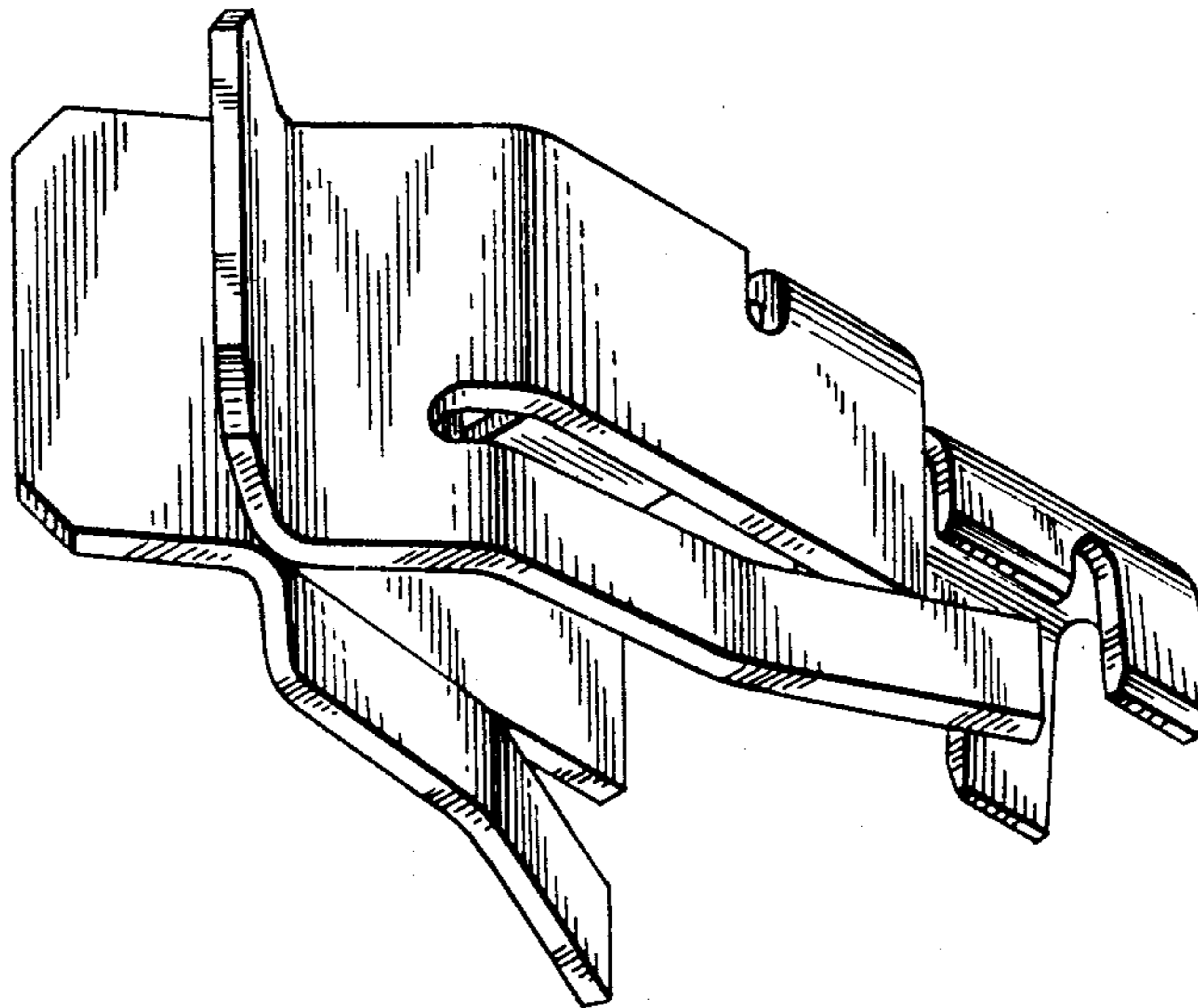


FIG. 1

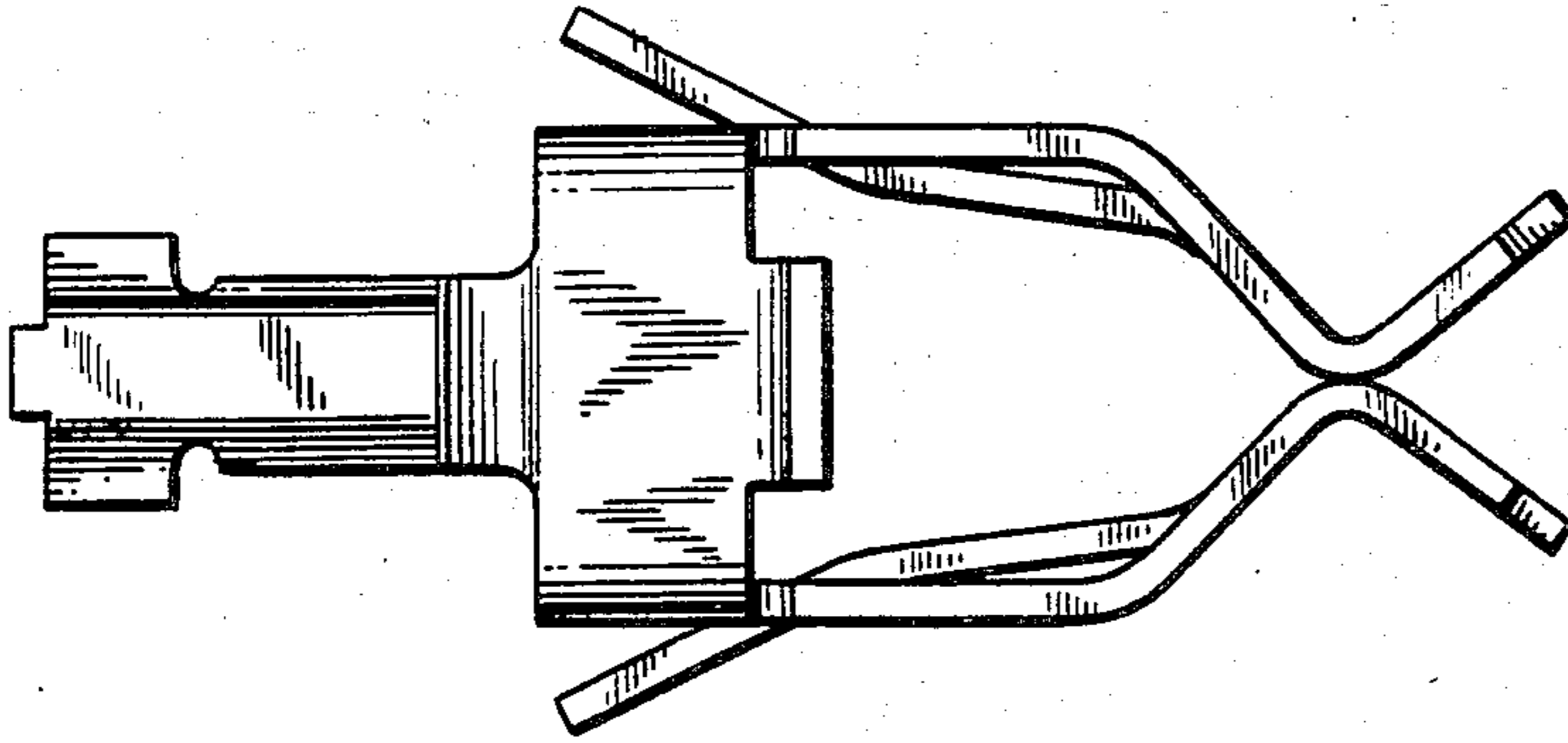


FIG. 2

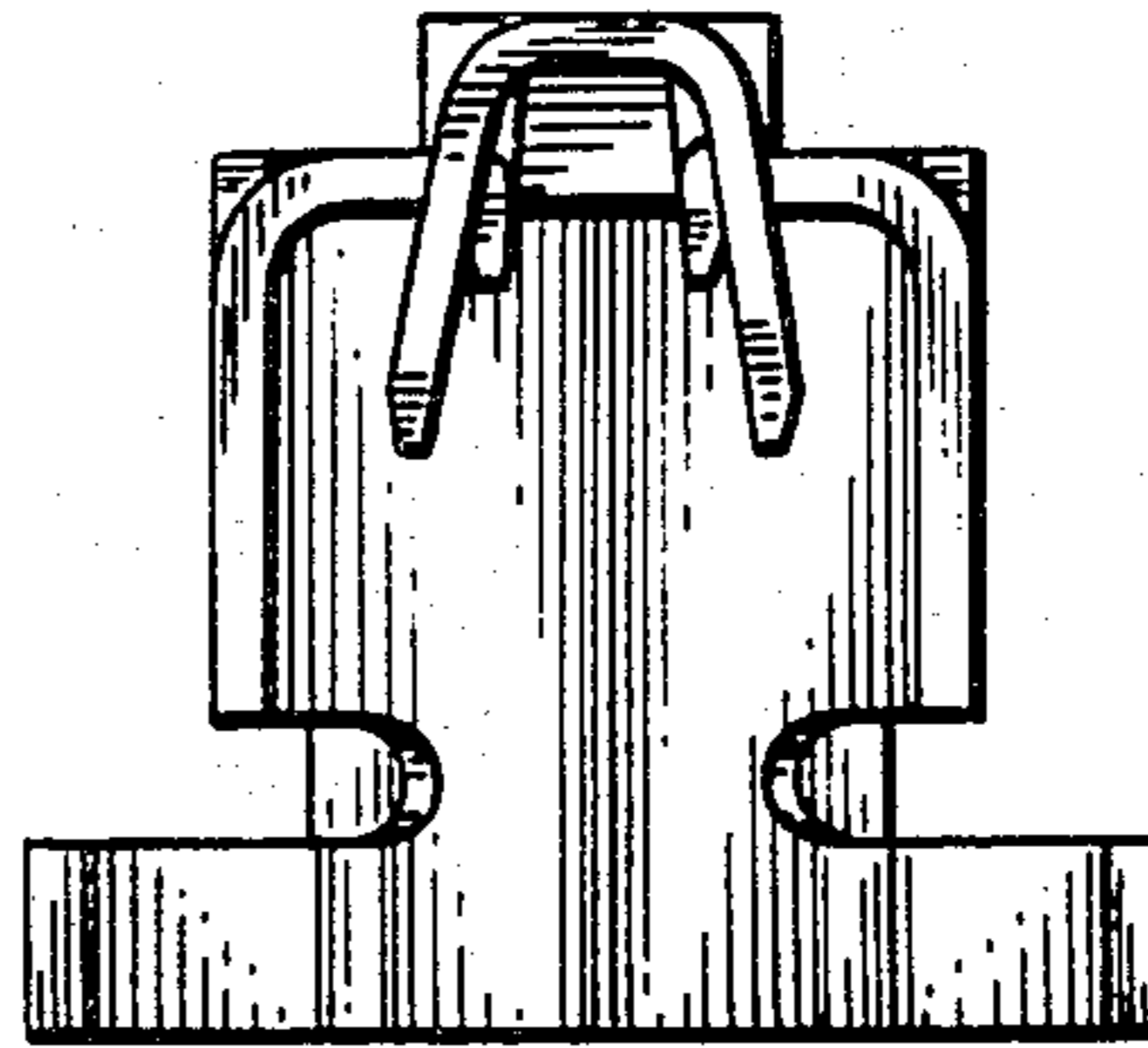


FIG. 3

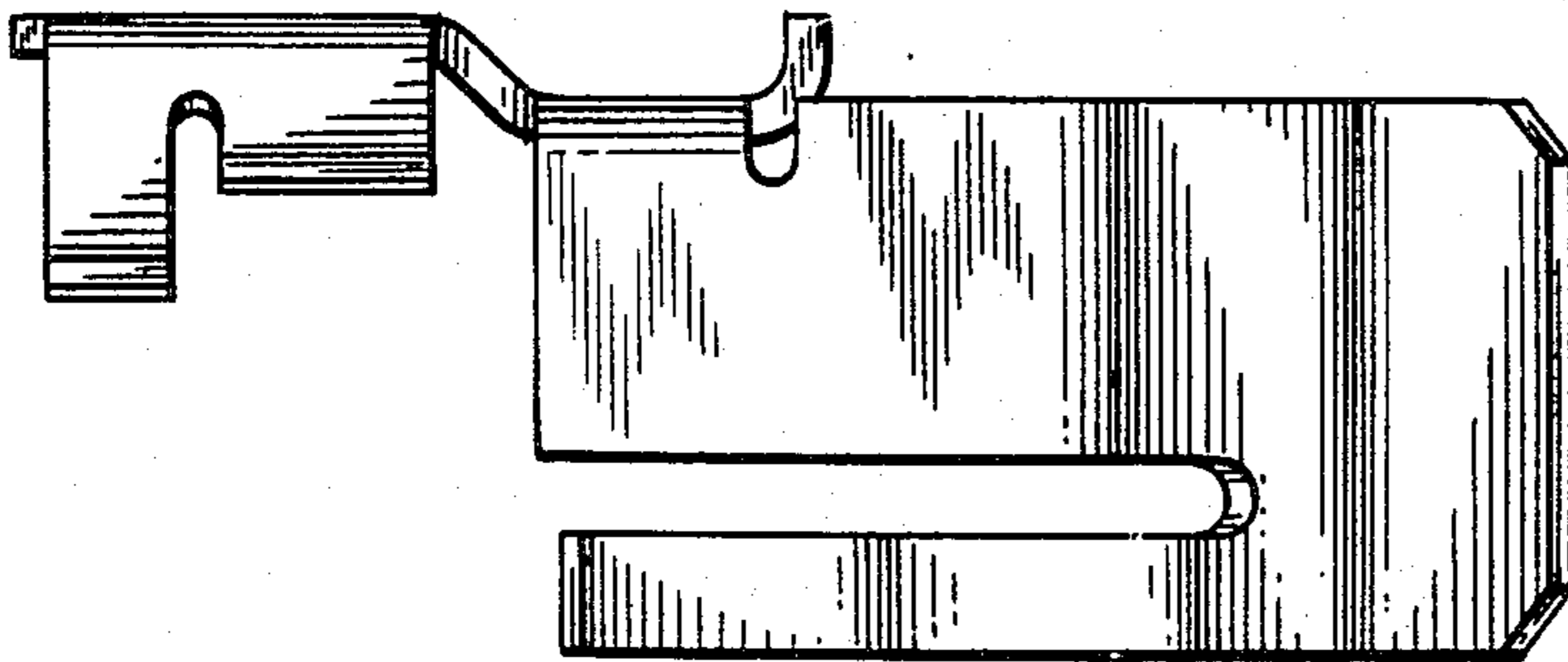


FIG. 4

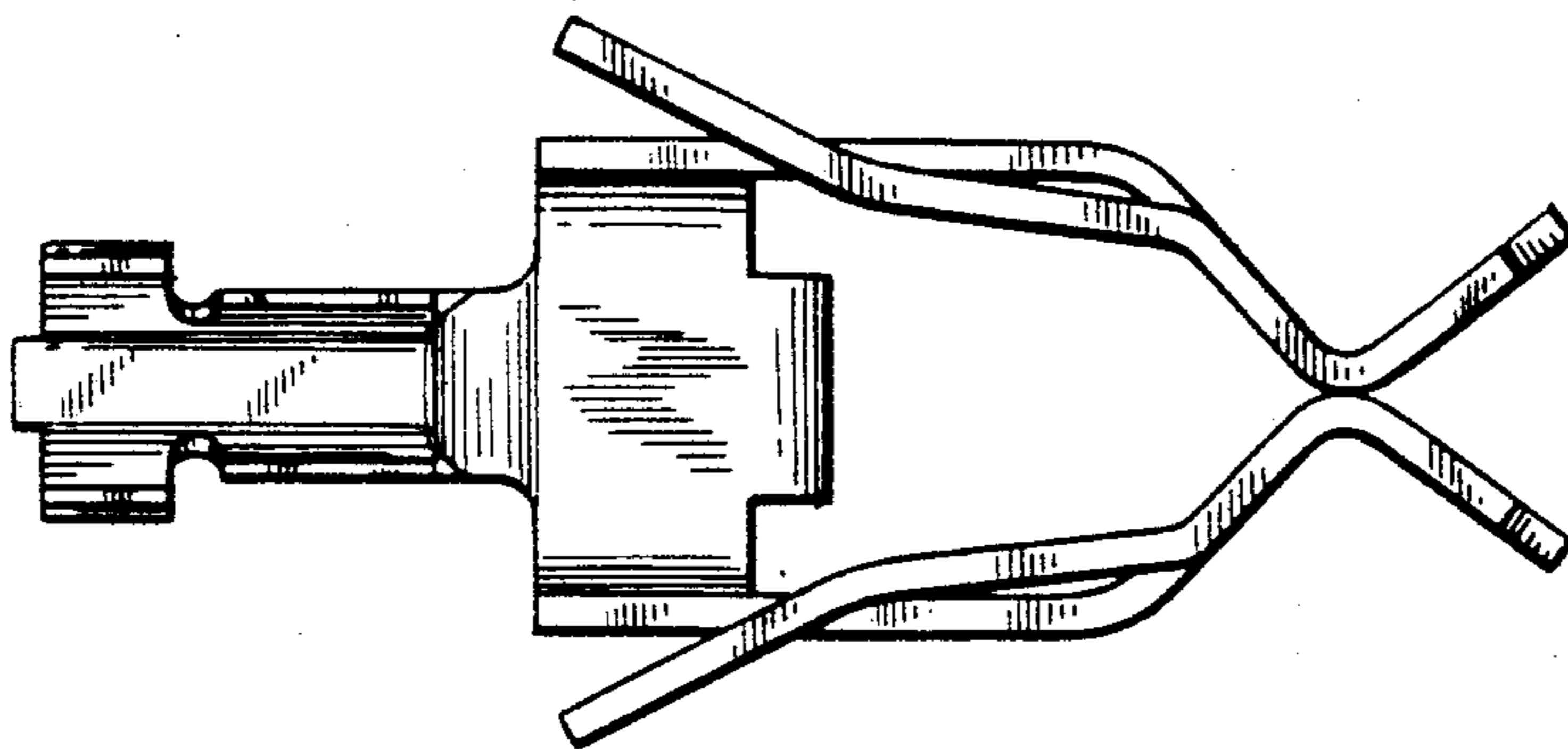
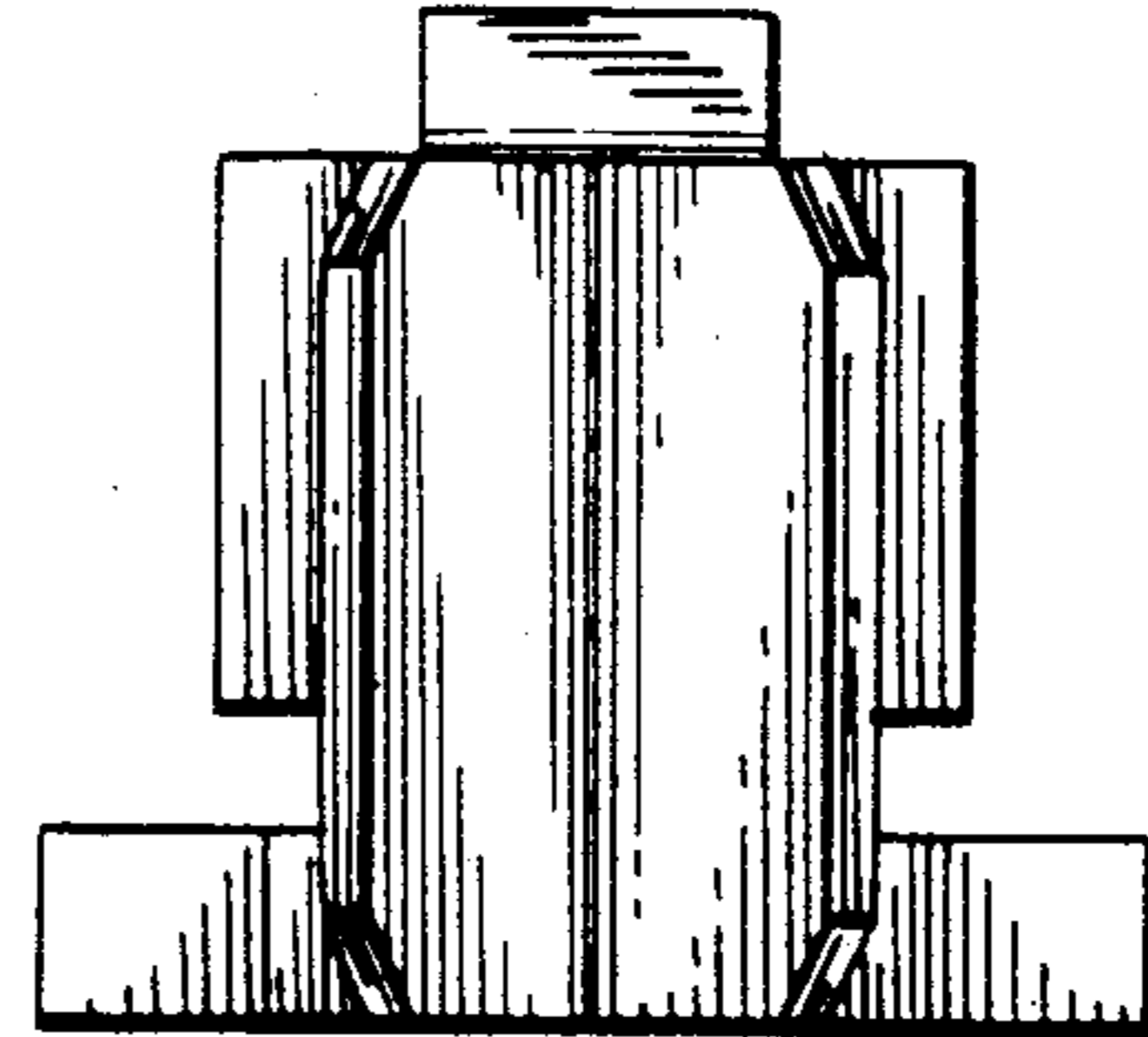


FIG. 5

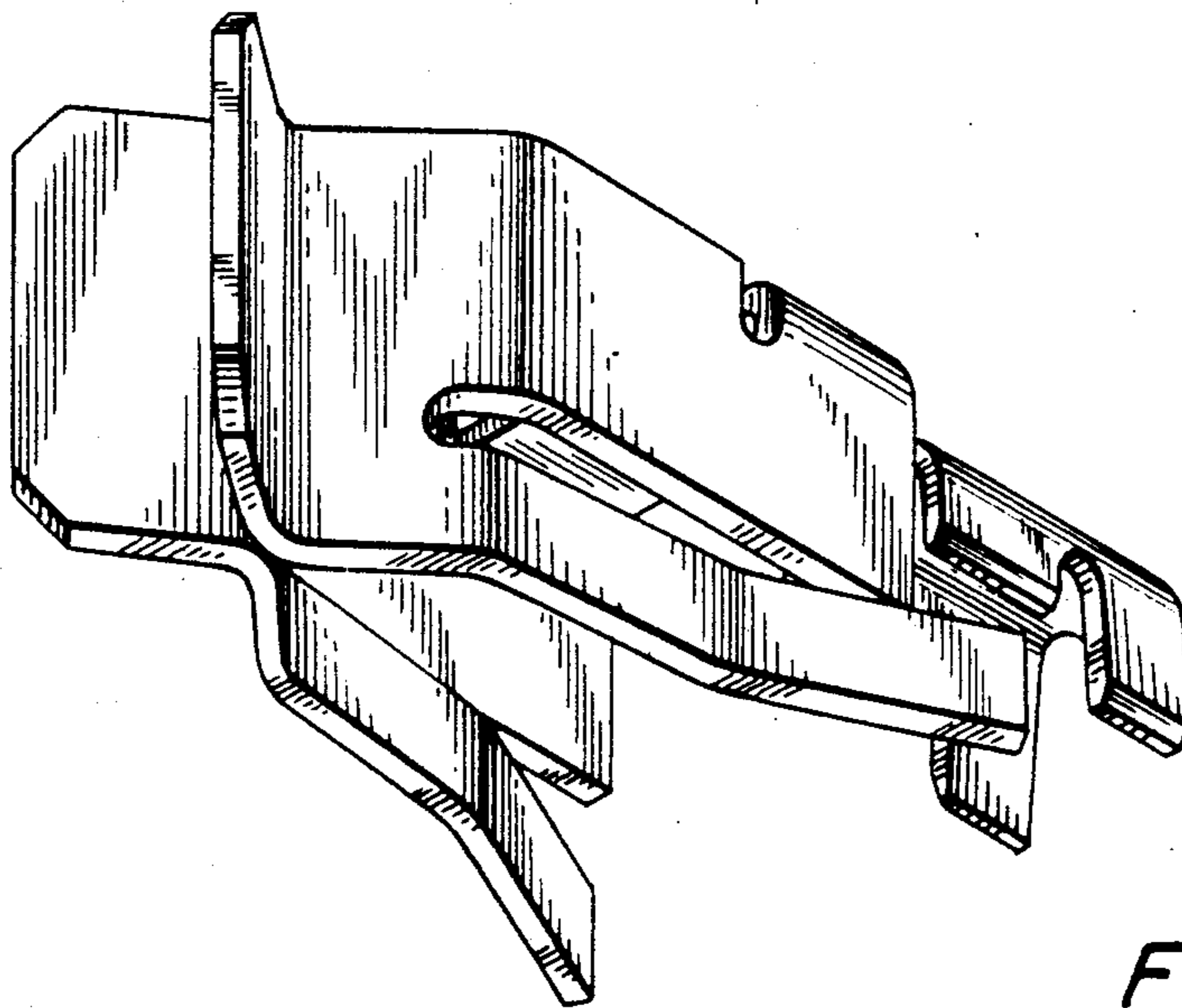


FIG. 6