

[54] **MODULAR ELEMENT FOR DECORATIVE CONSTRUCTION**

[76] **Inventor: Chi-kwai Chung, 60 Siu Ham Village, San Tin, New Territories, Hong Kong**

[\*\*] **Term: 14 Years**

[21] **Appl. No.: 654,196**

[22] **Filed: Sep. 24, 1984**

[30] **Foreign Application Priority Data**

Apr. 2, 1984. [GB] United Kingdom ..... 1018865

[52] **U.S. Cl. .... D11/164; D11/163; D21/87**

[58] **Field of Search ..... D11/92, 113, 163, 164, D11/184; D21/87, 109, 108, 52; D19/96, 97; 428/11, 13-15; 446/124**

[56] **References Cited**

**U.S. PATENT DOCUMENTS**

D. 251,454	3/1979	Takahashi .....	D21/87
D. 266,012	8/1982	Shyu .....	D21/52
3,085,963	4/1963	Martin .....	446/124 X

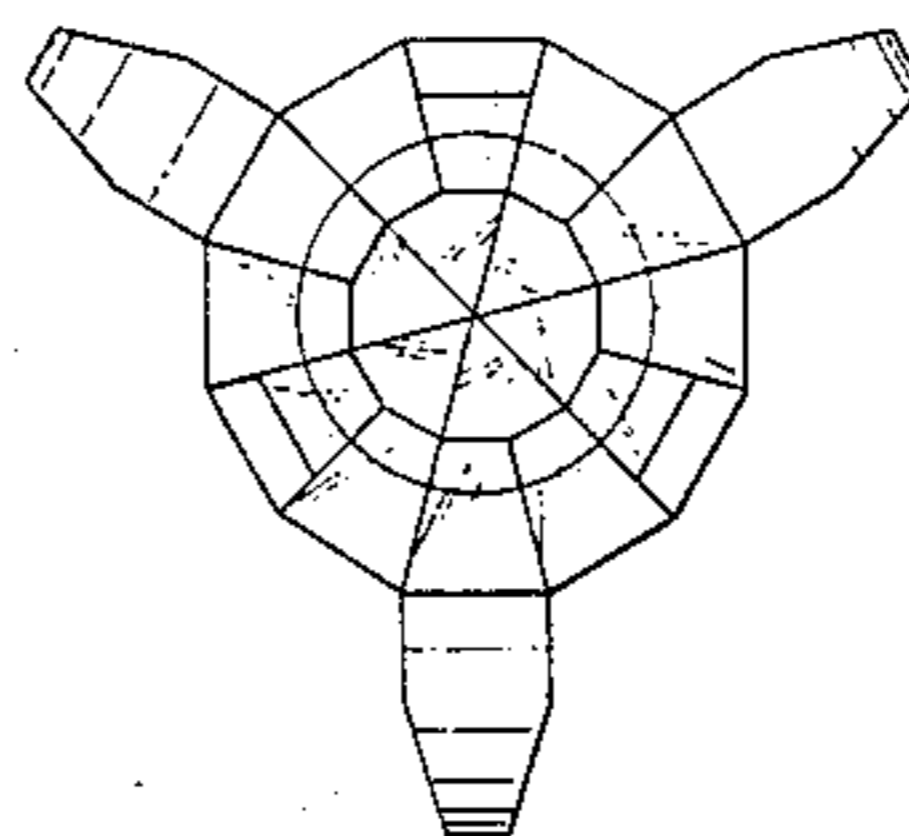
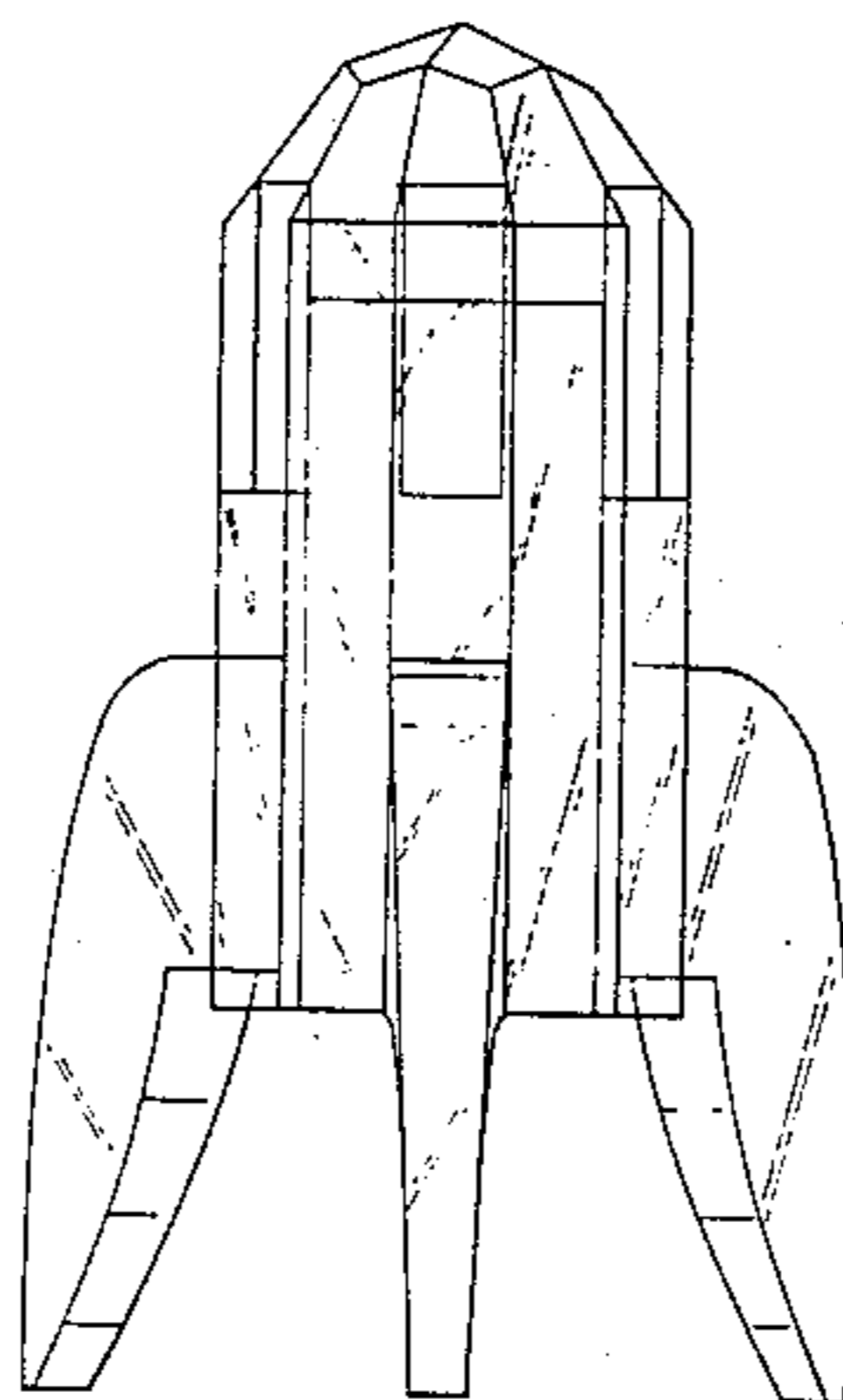
*Primary Examiner*—Louis S. Zarfaz  
*Attorney, Agent, or Firm*—Warren B. Kice

[57] **CLAIM**

The ornamental design for modular element for decorative construction, as shown and described.

**DESCRIPTION**

FIG. 1 is an elevational view of a modular element for decorative construction showing my new design, the design being symmetrical about its vertical axis; FIG. 2 is a bottom plan view; and FIG. 3 is a top plan view.



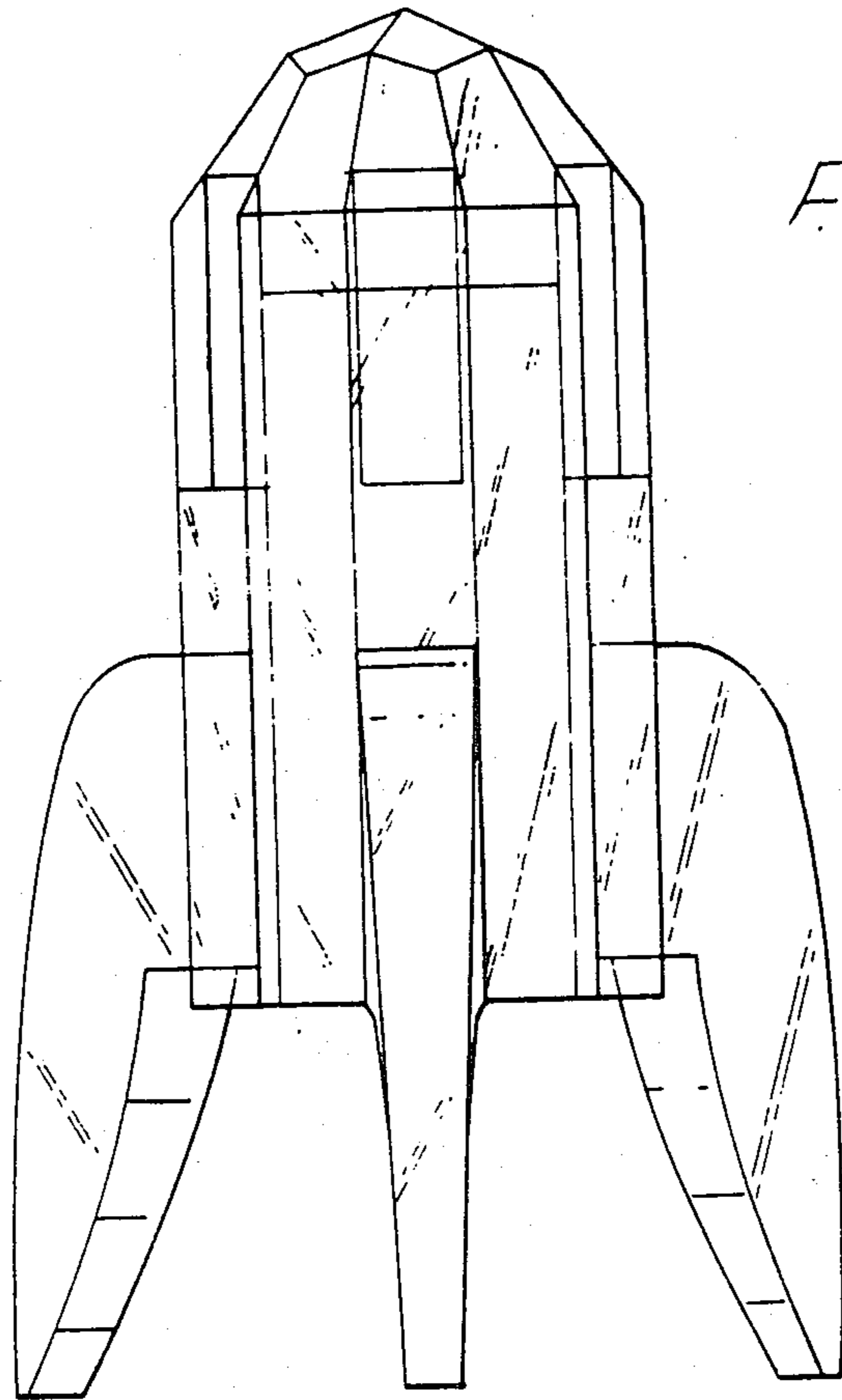


FIG. 1

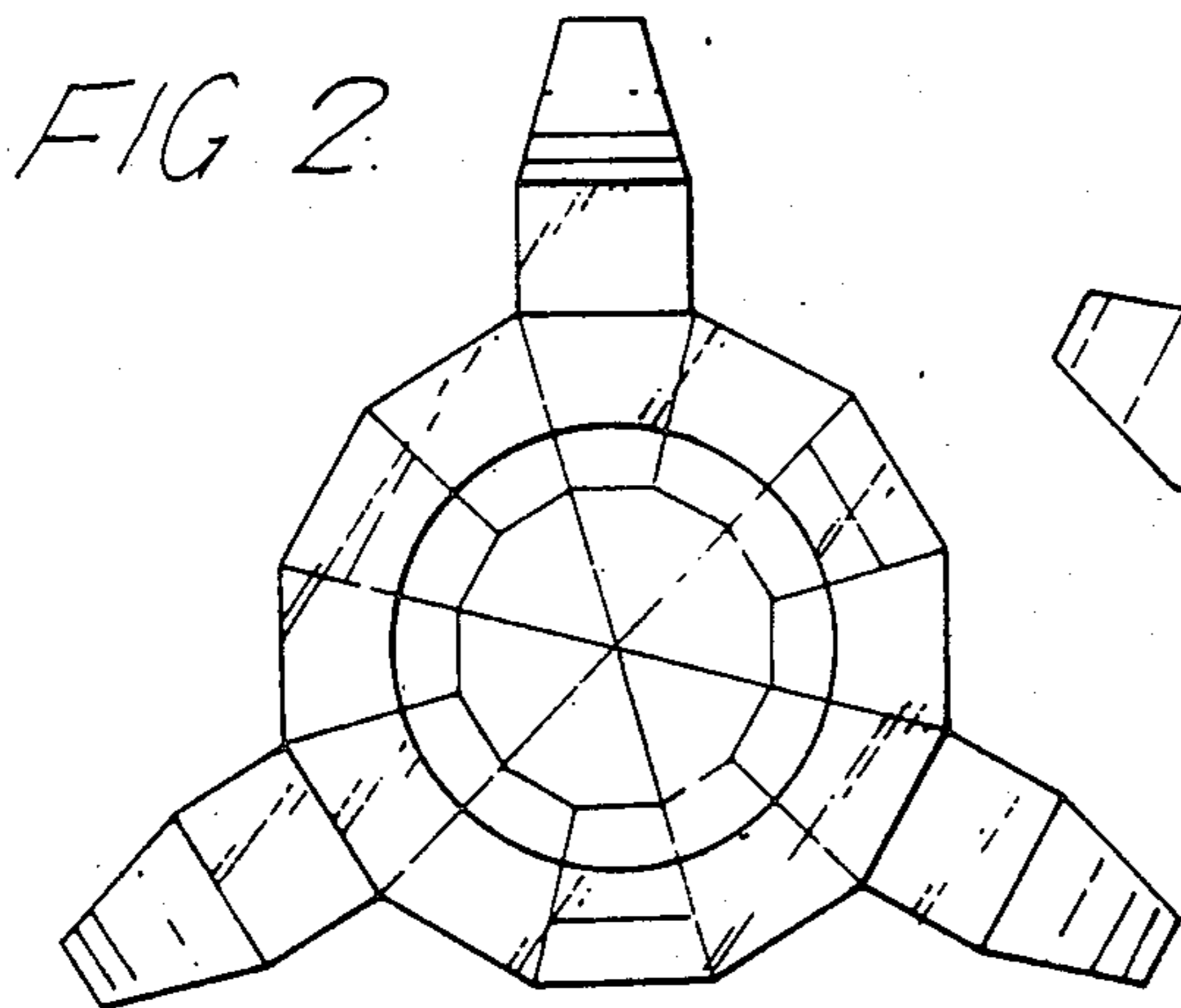


FIG. 2

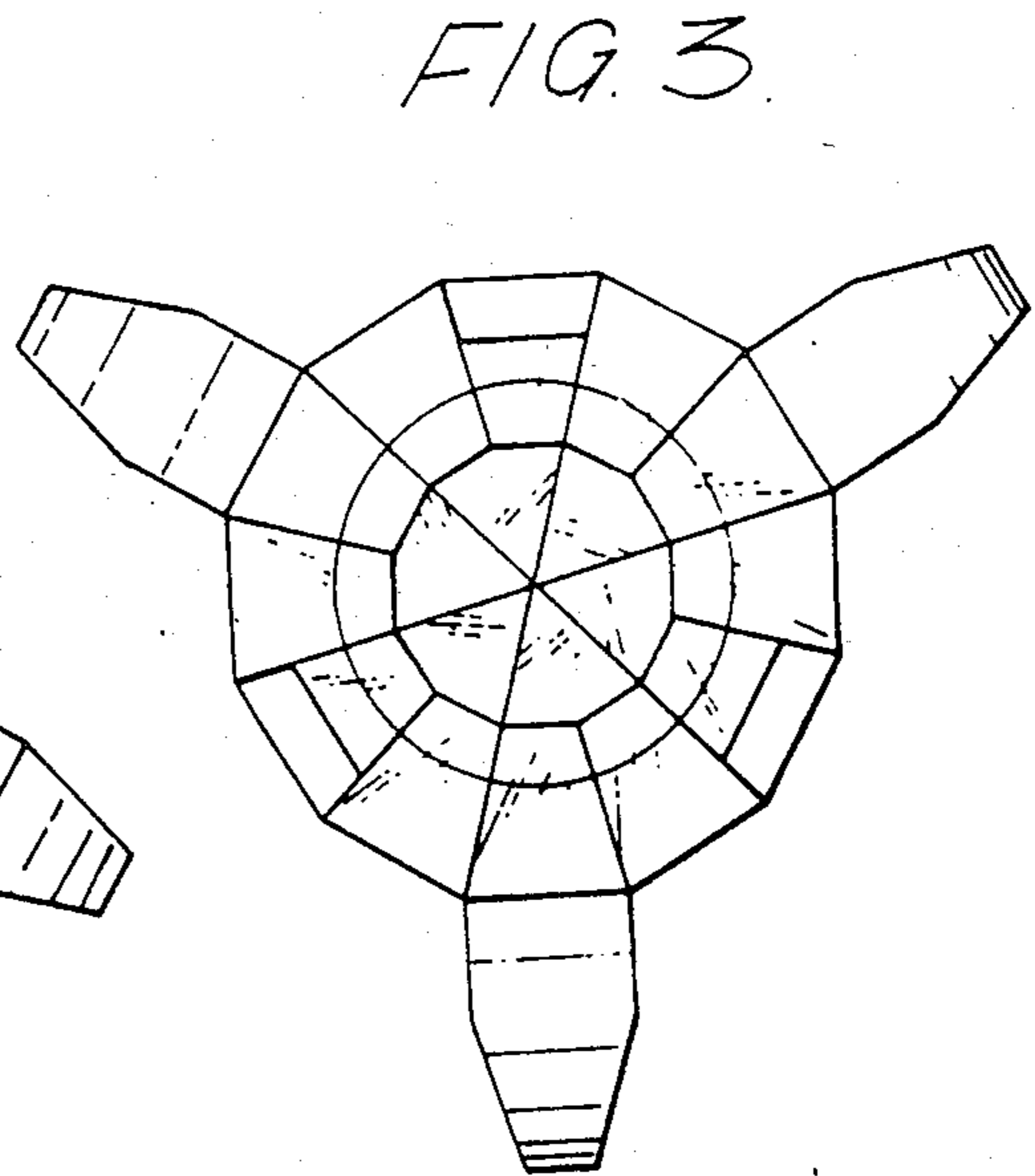


FIG. 3