

# United States Patent [19]

Andersson

[11] Patent Number: **Des. 290,099**

[45] Date of Patent: **\*\* Jun. 2, 1987**

[54] **CHRISTMAS TREE STAND**

[76] Inventor: **Per O. Andersson**, Box 310, 820 77  
Gnarp, Sweden

[\*\*] Term: **14 Years**

[21] Appl. No.: **666,995**

[22] Filed: **Oct. 31, 1984**

[30] **Foreign Application Priority Data**

May 7, 1984 [SE] Sweden ..... 84-1435

[52] U.S. Cl. .... **D11/130.1; D11/182;**  
47/40.5

[58] Field of Search ..... D11/130.1, 117, 118,  
D11/130, 144; 248/519, 523, 529; 211/196, 205;  
47/40.5; 428/18, 19, 20; 362/123

[56] **References Cited**

### U.S. PATENT DOCUMENTS

D. 174,421 4/1955 Ford ..... D11/130.1  
2,500,215 3/1950 Swearingen ..... 47/40.5  
3,023,725 3/1962 Boyd ..... 248/519 X

3,403,877 10/1968 Gudmundson ..... 248/523  
4,569,151 2/1986 Hoffbeck ..... 248/519 X

### OTHER PUBLICATIONS

*Hardware Age*, Aug. 2, 1956, p. 82, top right, Christmas Tree Stand—cylinder with 3 welded legs, set screws.

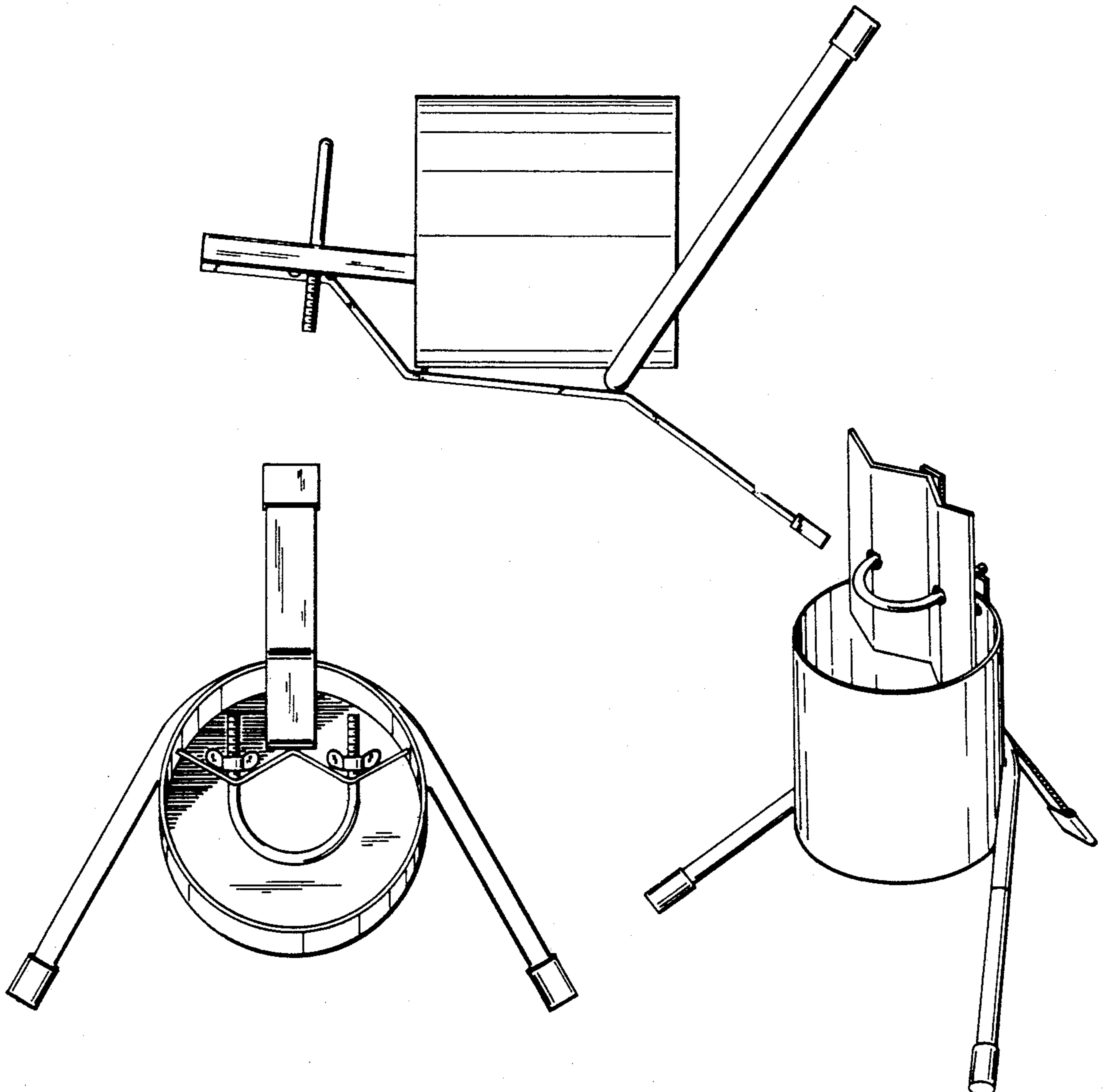
*Primary Examiner*—Winifred E. Herrmann  
*Attorney, Agent, or Firm*—George F. Bethel; Patience K. Bethel

[57] **CLAIM**

The ornamental design for a Christmas tree stand, as shown and described.

### DESCRIPTION

FIG. 1 is a top, front, and right side perspective view of a Christmas tree stand showing my new design; FIG. 2 is a top, rear, and left side perspective view thereof; FIG. 3 is a top plan view thereof; FIG. 4 is a bottom plan view thereof; and FIG. 5 is a left side elevational view thereof.



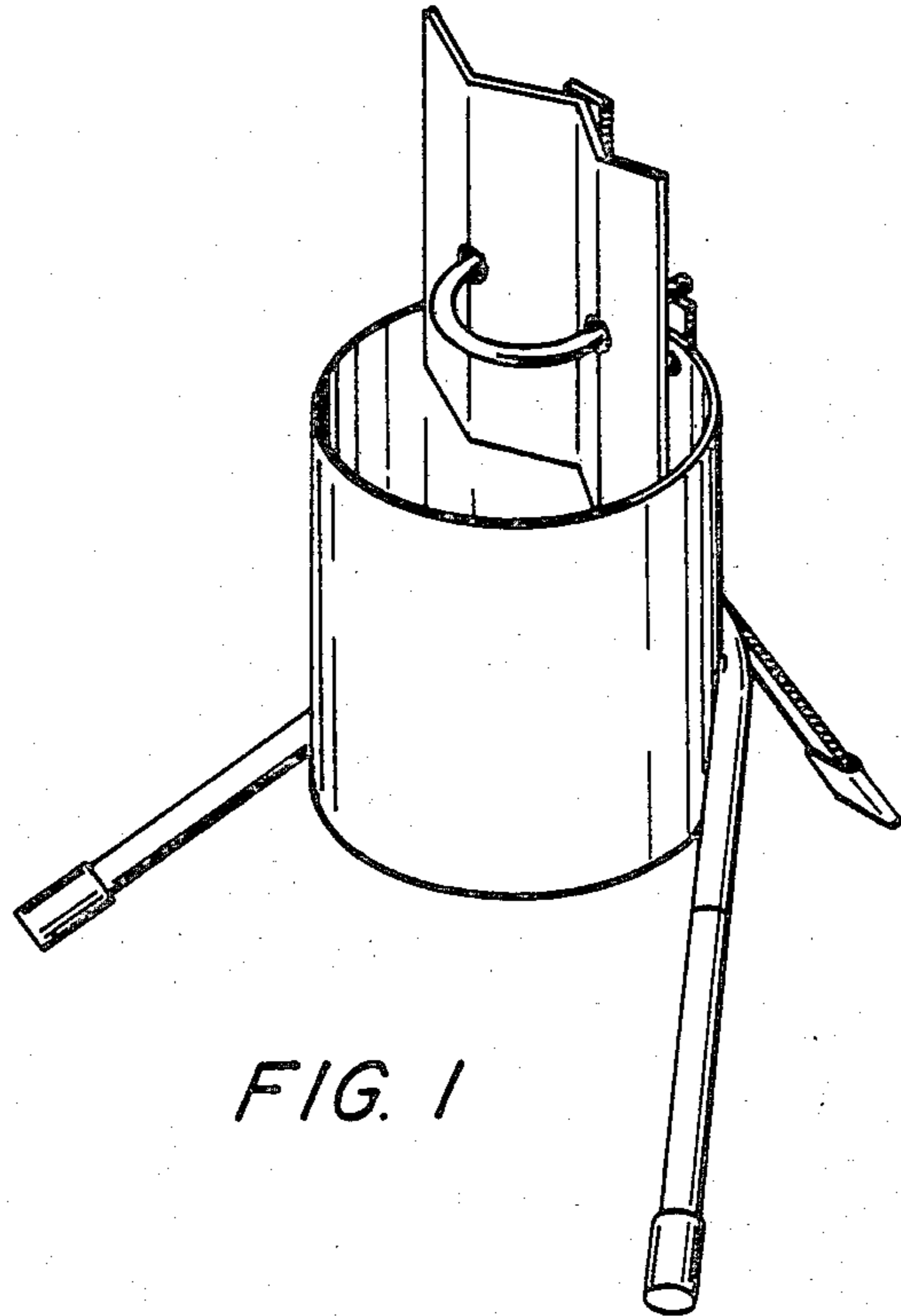


FIG. 1

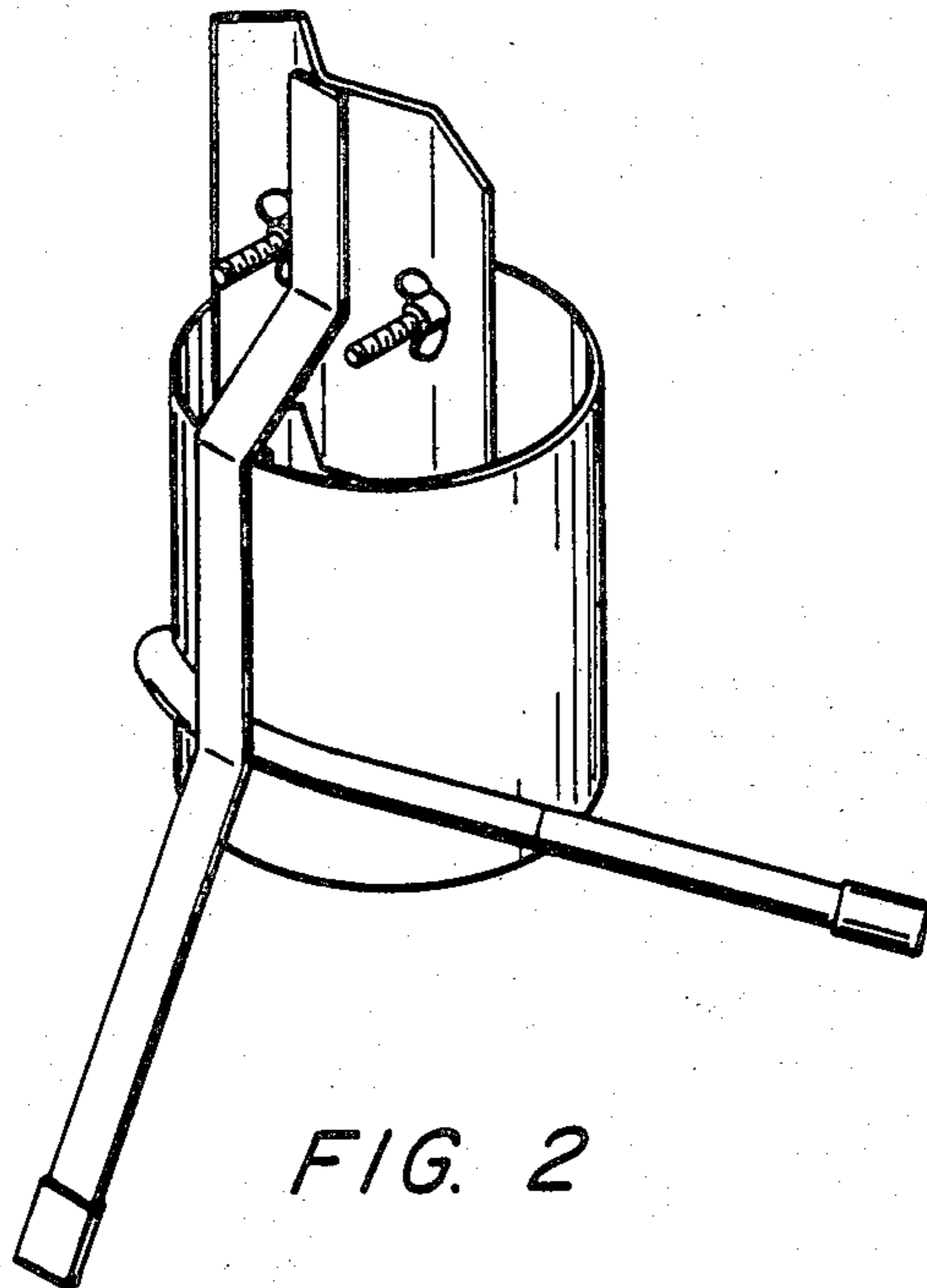


FIG. 2

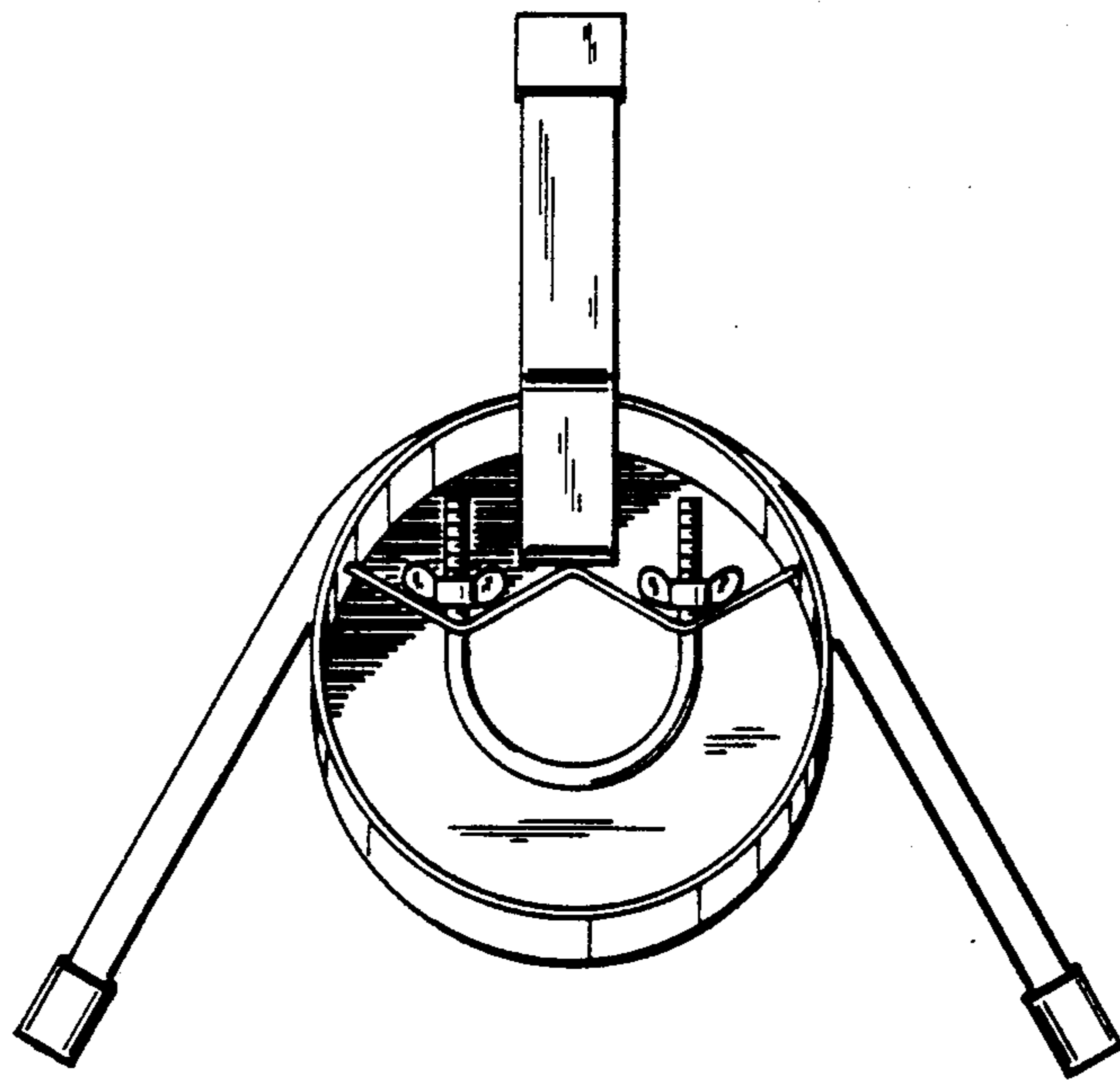


FIG. 3

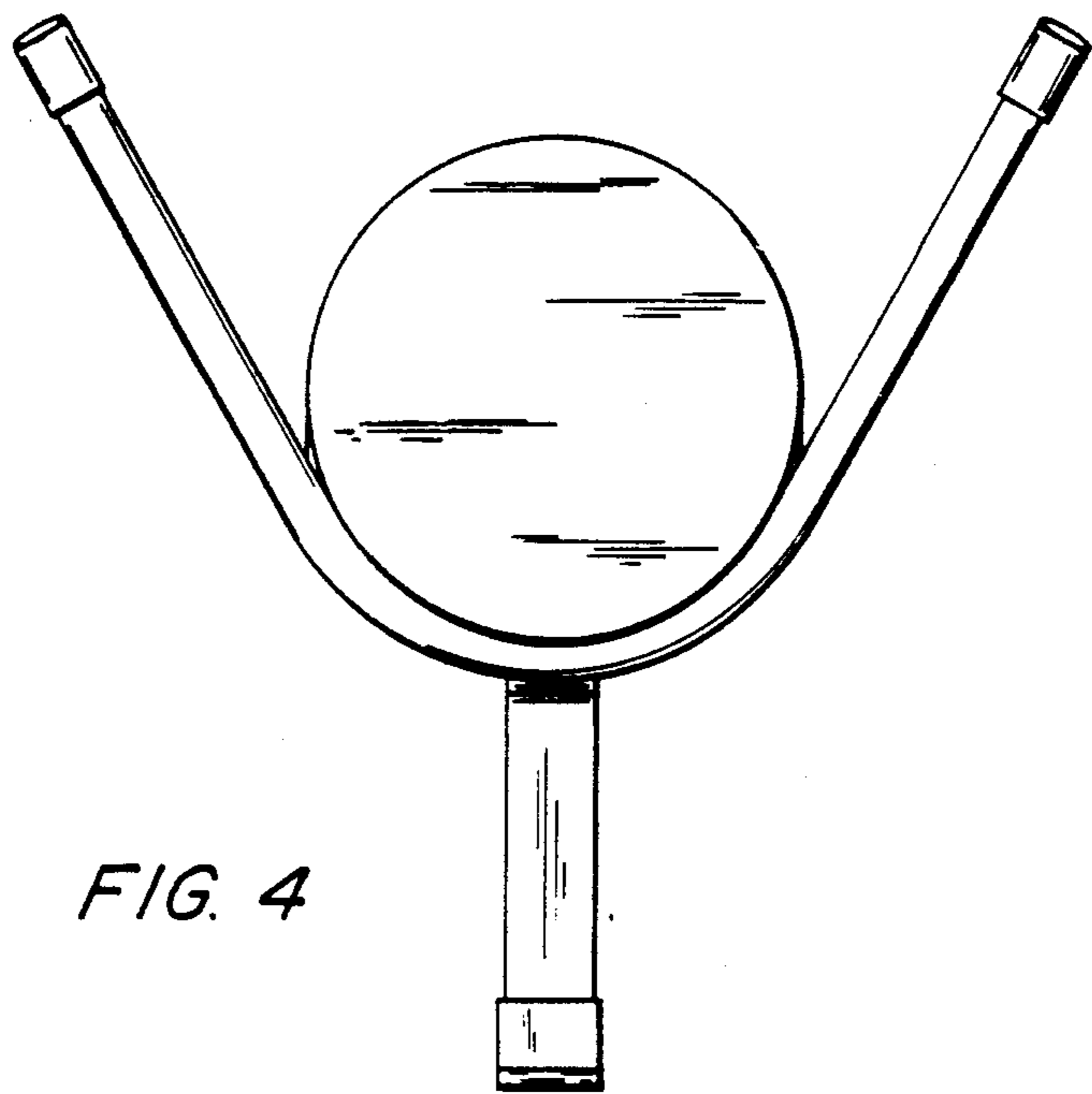


FIG. 4

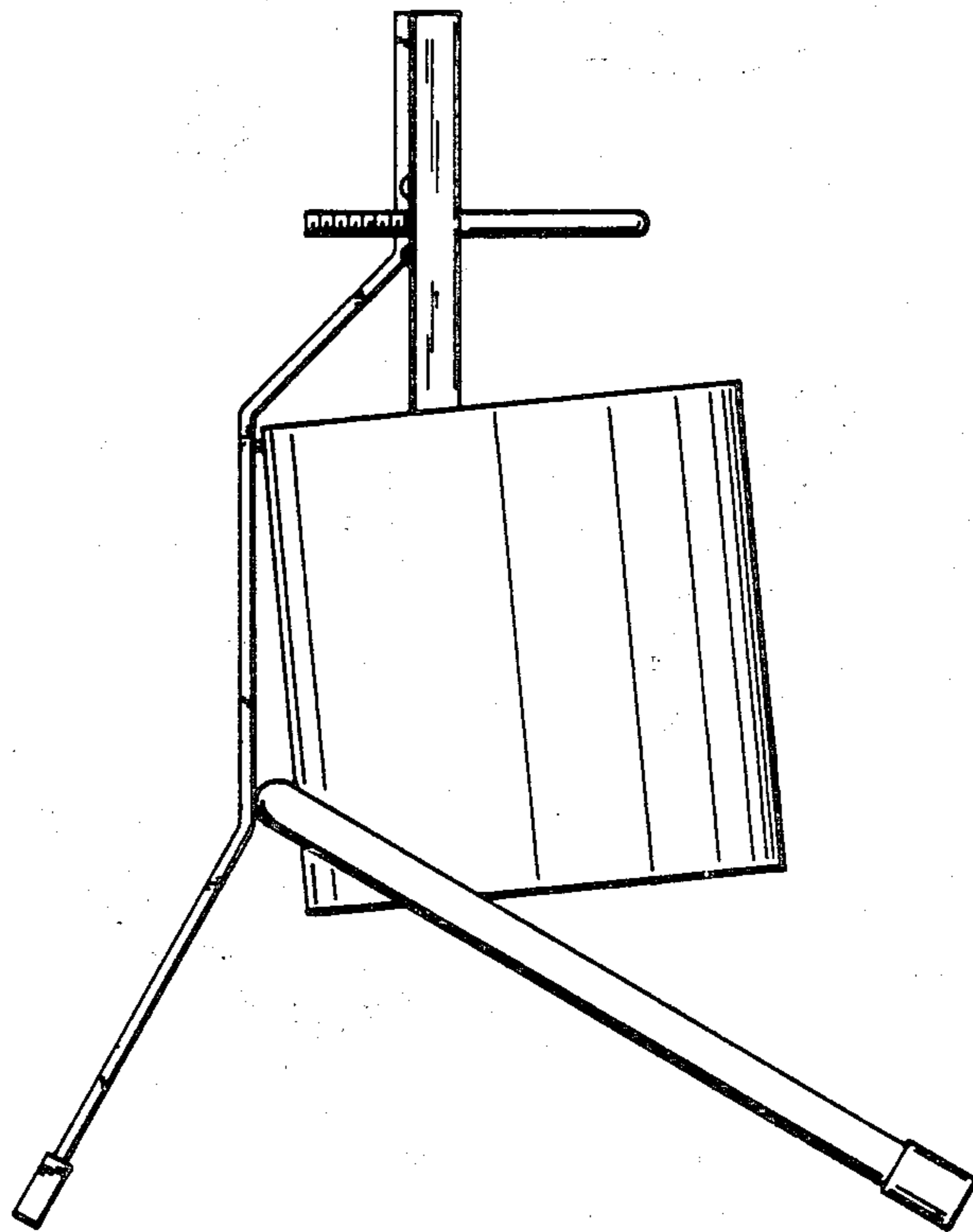


FIG. 5