

[54] **PRECISION MEASURING DEVICE**

[75] **Inventors:** Phillip J. Kronzer, Los Gatos; Nick Caputo, San Jose; Bernard M. Combs, Los Altos; Andrew Conrad, Campbell; James Kalani; Timothy L. Kronzer, both of Los Gatos, all of Calif.

[73] **Assignee:** K & K Manufacturing, Inc., Campbell, Calif.

[\*\*] **Term:** 14 Years

[21] **Appl. No.:** 663,761

[22] **Filed:** Oct. 22, 1984

[52] **U.S. Cl.** ..... D10/73; D10/70

[58] **Field of Search** ..... D10/70, 73; 33/169 R, 33/170, 548, 560

[56]

**References Cited**

**U.S. PATENT DOCUMENTS**

D. 192,384	3/1962	Wiegel .....	D10/71 X
D. 201,768	7/1965	Conover .....	D10/62
2,537,704	1/1951	Reinhart .....	33/169 R
3,251,133	5/1966	Turtschan .....	33/169 R
3,319,339	5/1967	Marconi .....	33/169 R
4,599,801	7/1986	Kronzer .....	33/169 R

*Primary Examiner*—Nelson C. Holtje

*Attorney, Agent, or Firm*—Claude A. S. Hamrick

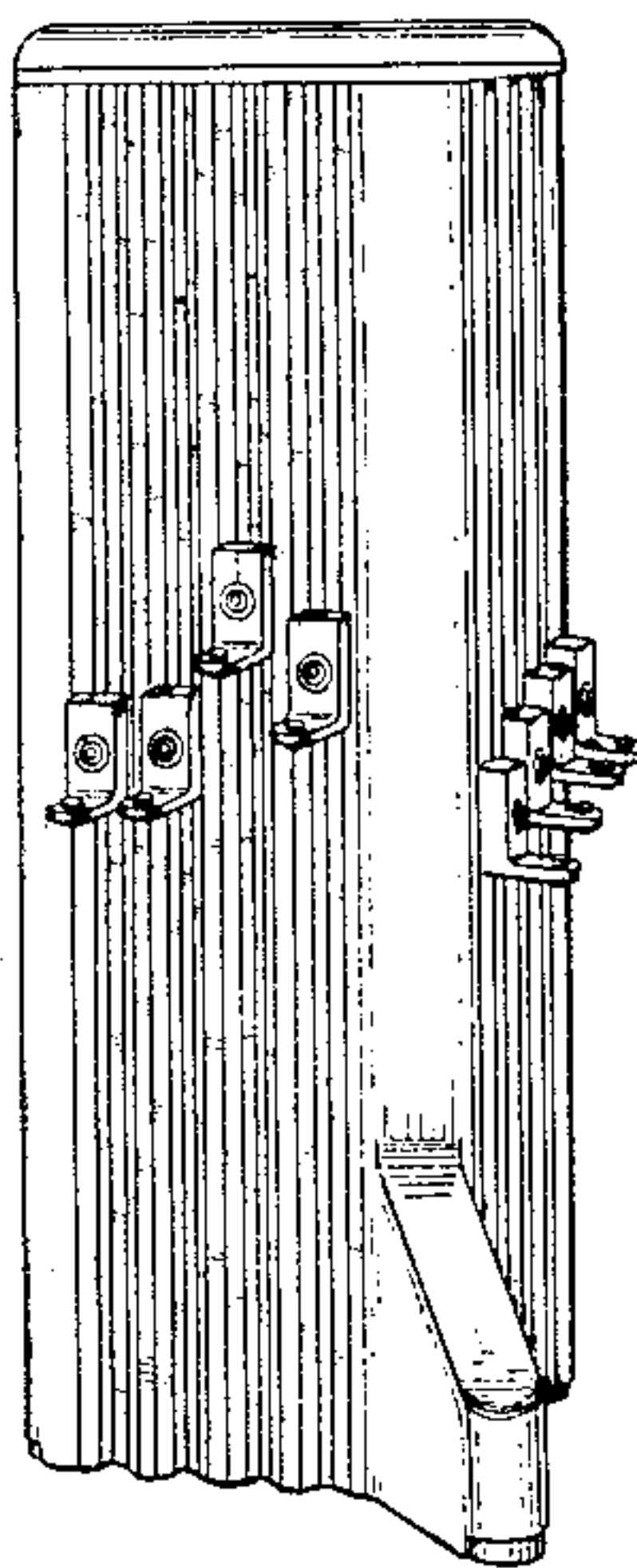
[57]

**CLAIM**

The ornamental design for a precision measuring device, substantially as shown and described.

**DESCRIPTION**

FIG. 1 is a left front perspective view of a precision measuring device showing my new design; FIG. 2 is a front elevational view thereof; FIG. 3 is a right side elevational view thereof; FIG. 4 is a top plan view thereof; FIG. 5 is a bottom plan view thereof; and FIG. 6 is a rear elevational view thereof.



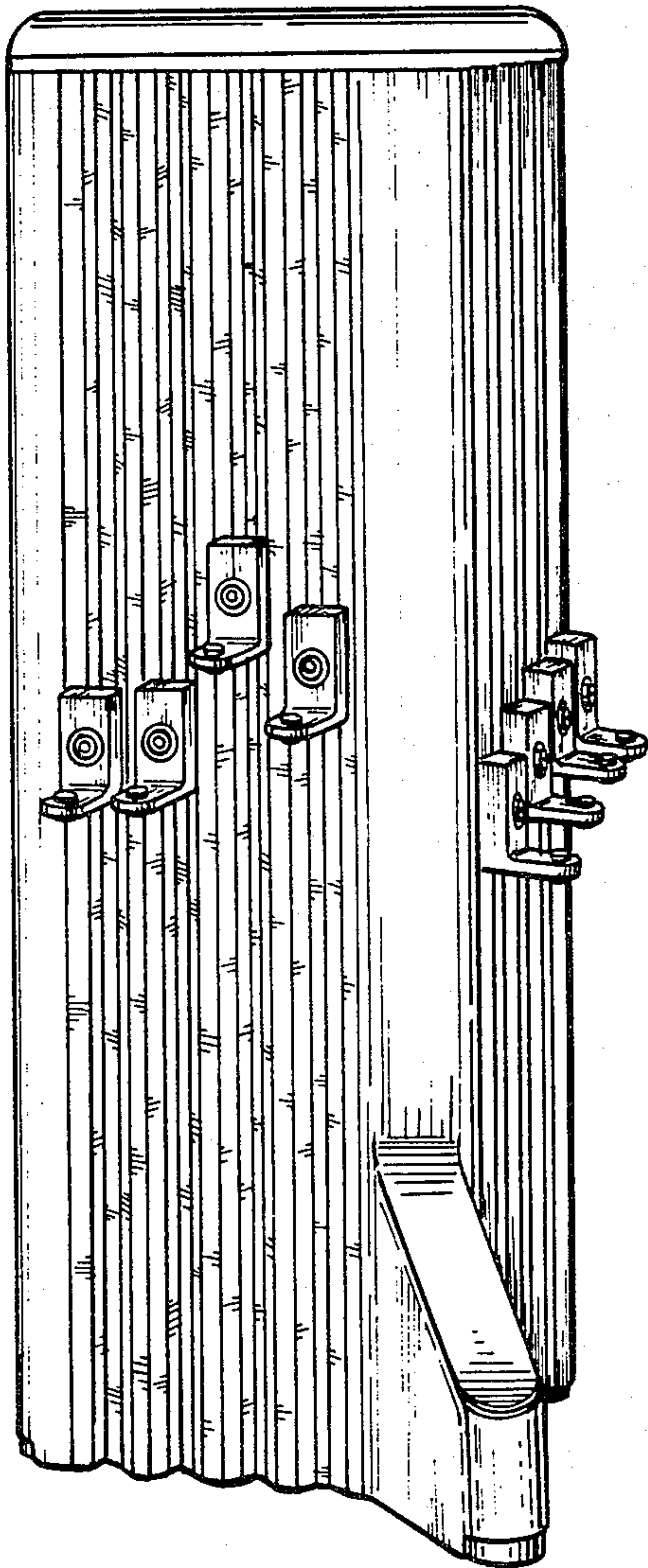


Fig. 1

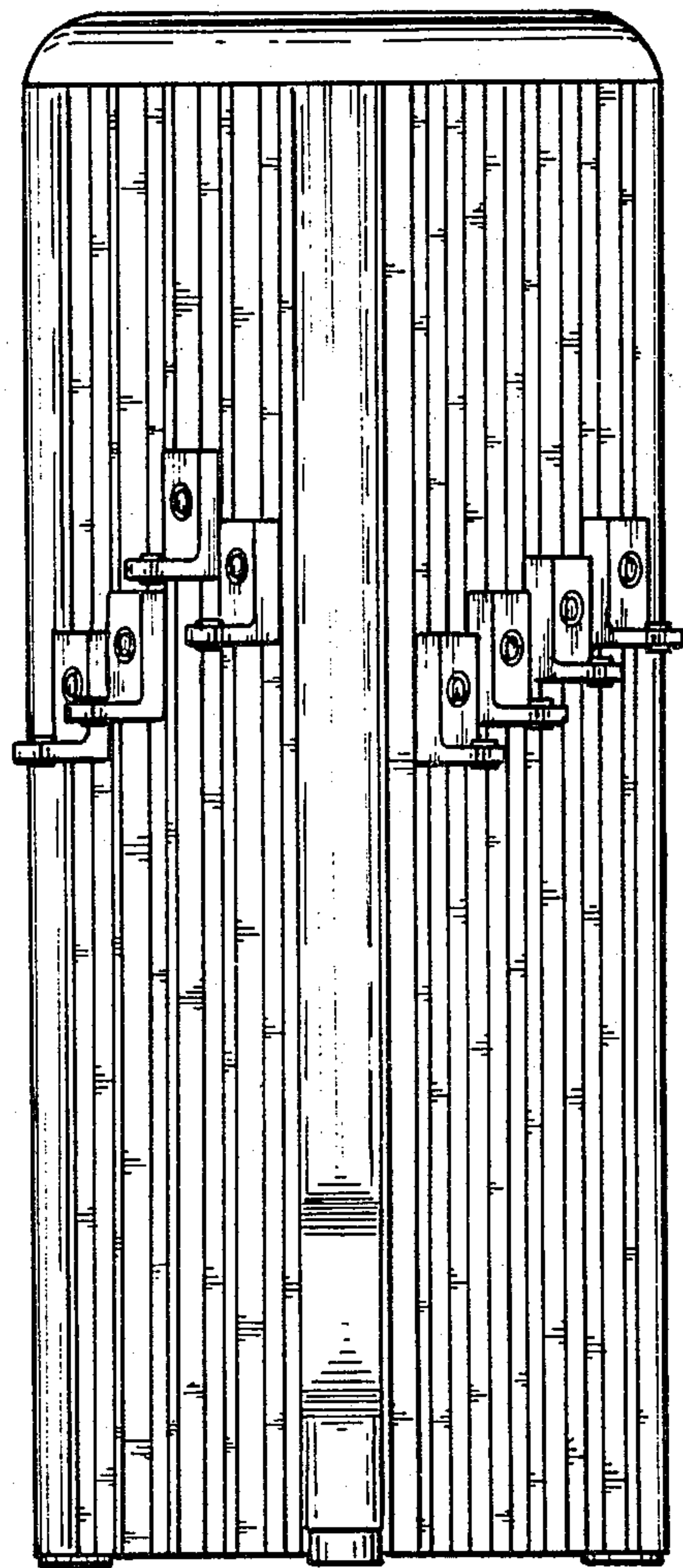
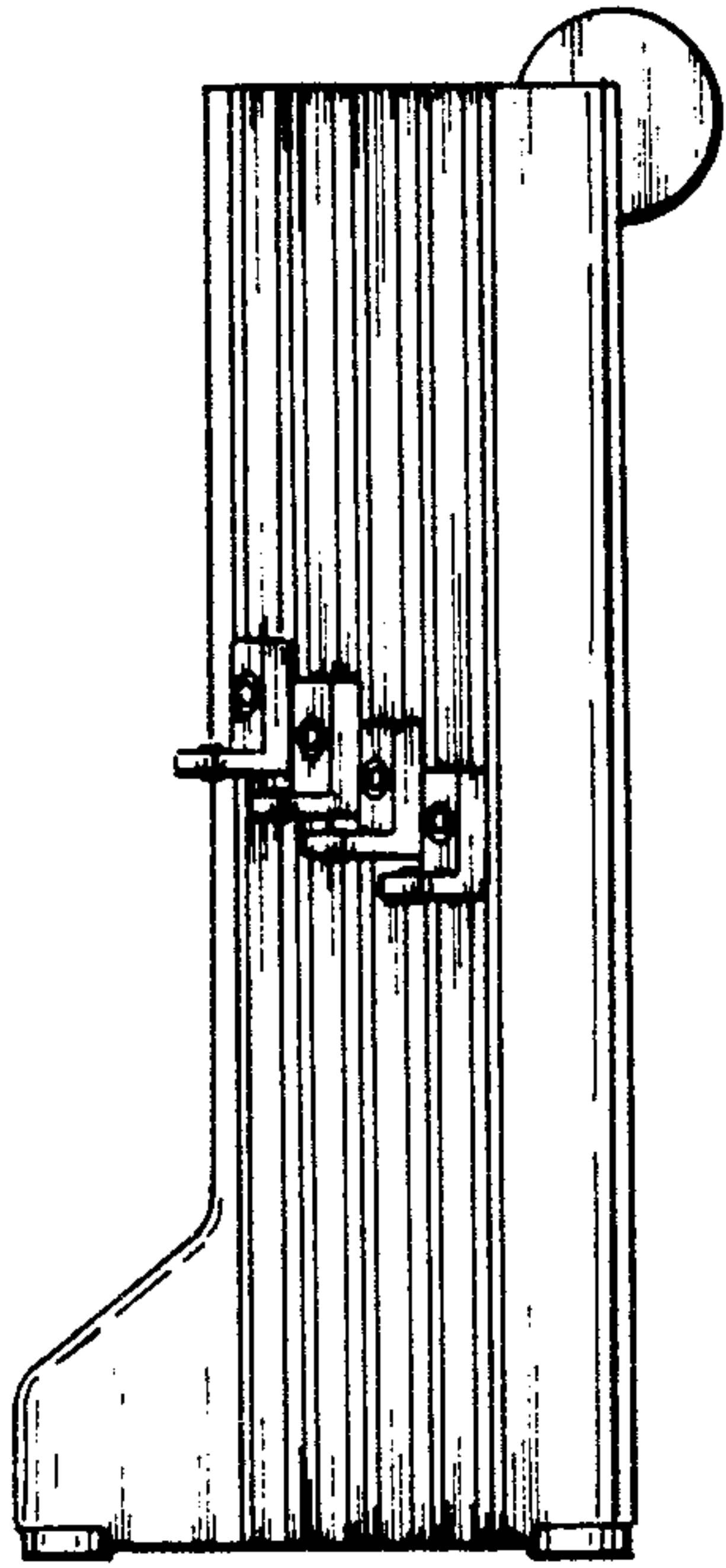
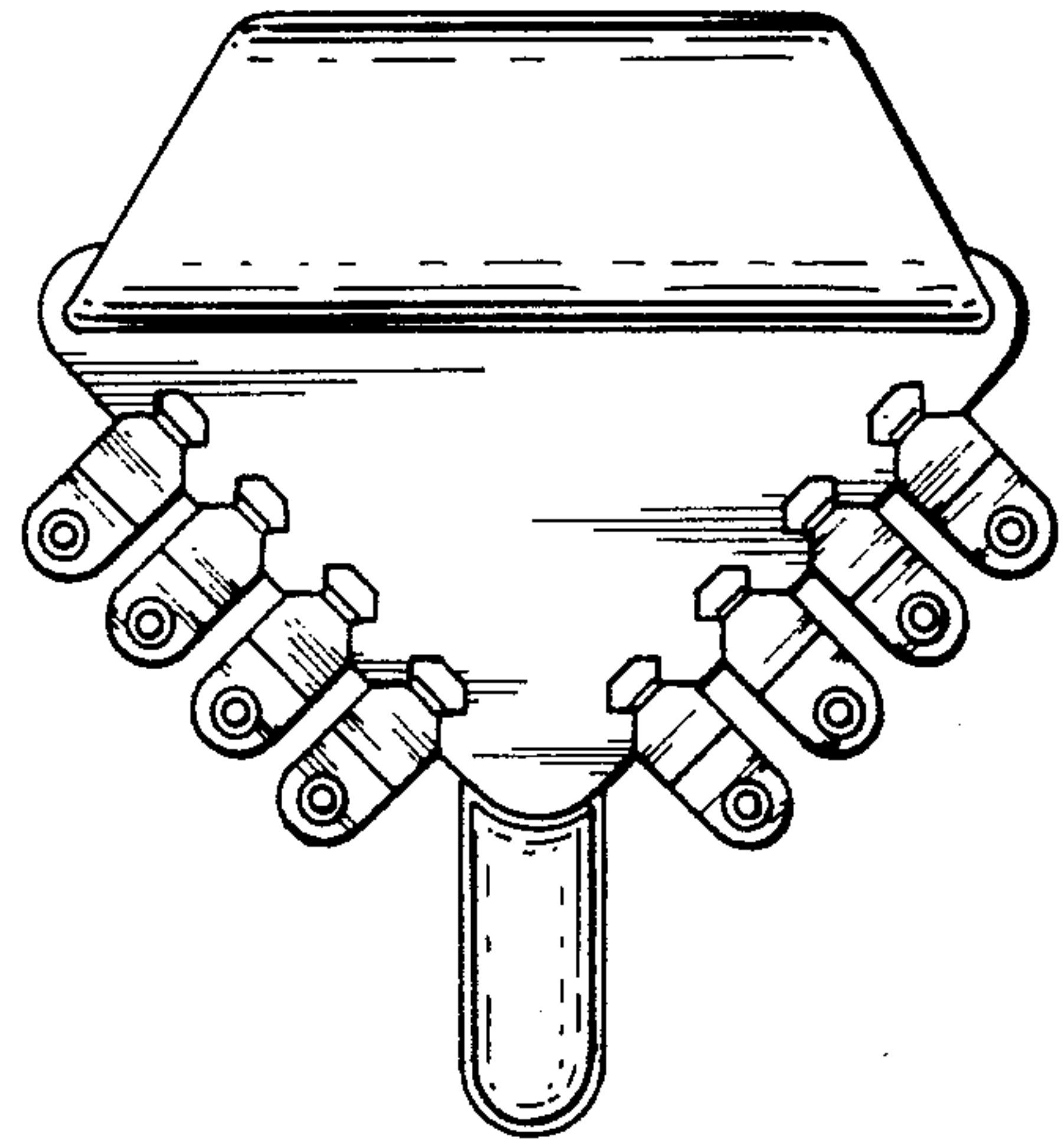


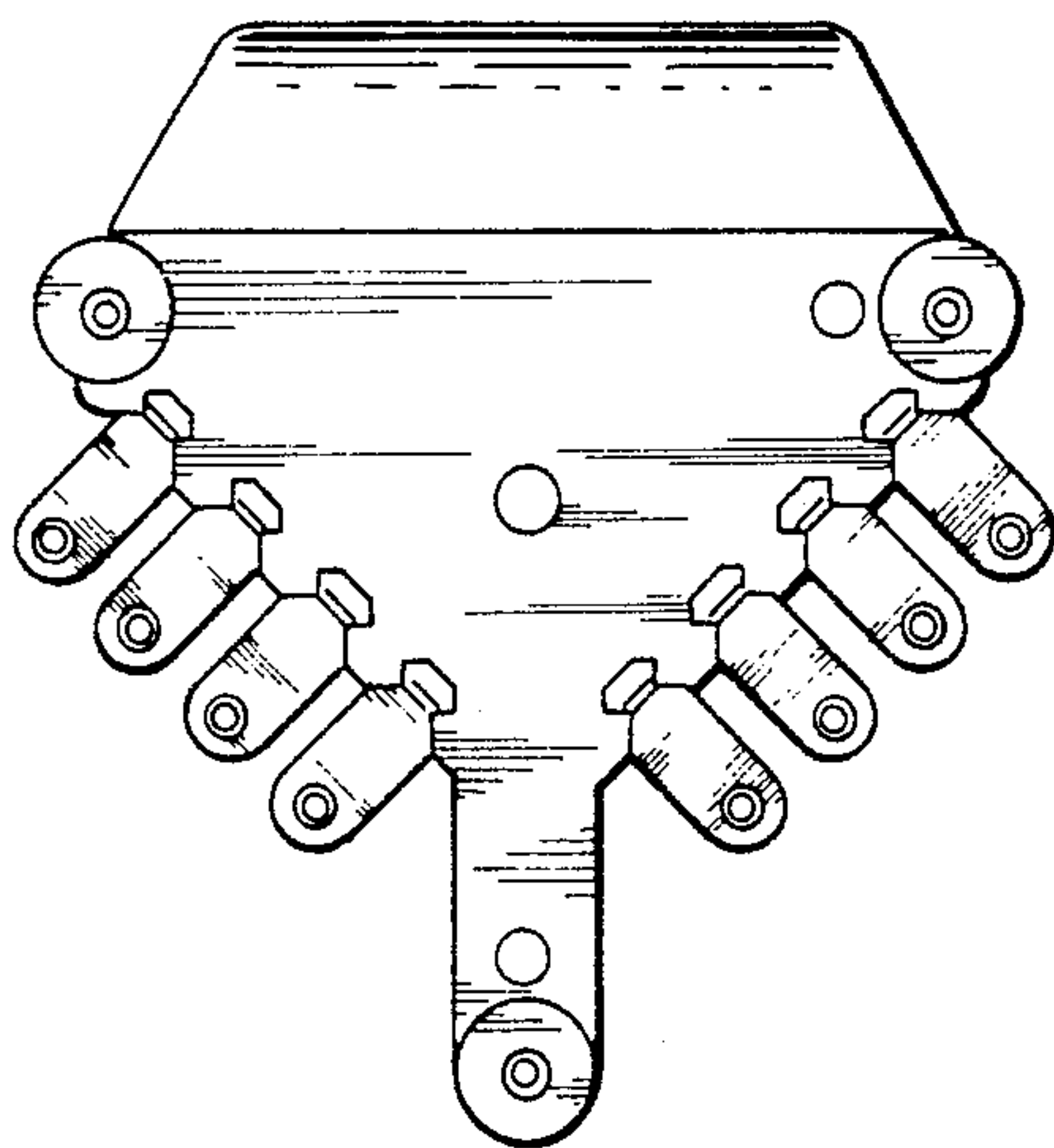
Fig. 2



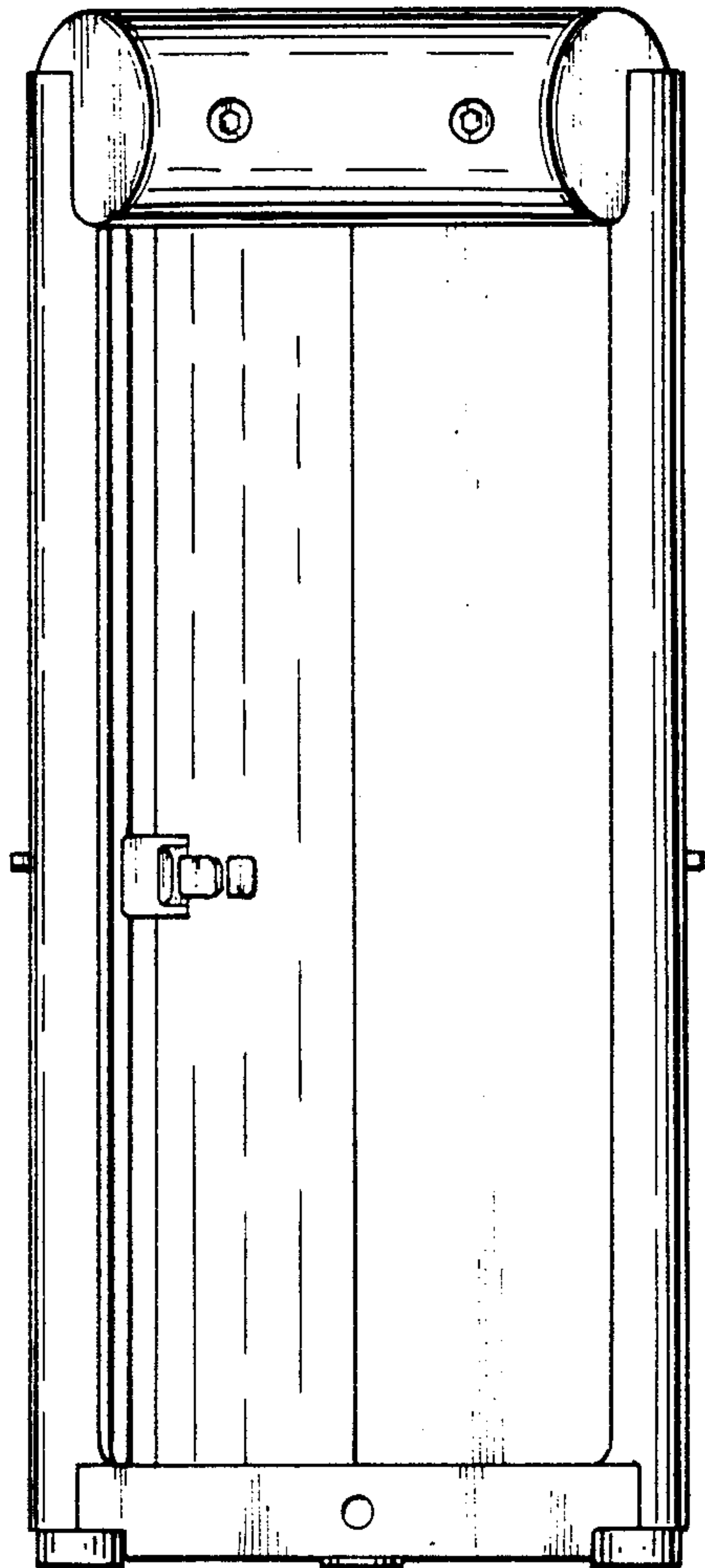
Fig\_3



Fig\_4



Fig\_5



Fig\_6