

[54] **PACKAGING CONTAINER**

[75] **Inventor: Keith Collingwood, Hull, England**

[73] **Assignee: Reckitt & Colman Products Limited,
London, England**

[**] **Term: 14 Years**

[21] **Appl. No.: 665,016**

[22] **Filed: Oct. 26, 1984**

[30] **Foreign Application Priority Data**

May 4, 1984 [GB] United Kingdom 1019467
[52] **U.S. Cl. D9/415**
[58] **Field of Search D9/341, 415; 206/461,
206/462, 471, 495**

[56] **References Cited**

U.S. PATENT DOCUMENTS

D. 262,865 2/1982 Lecordier D9/415 X
D. 278,539 4/1985 Josephson et al. D9/341 X
D. 281,227 11/1985 Okano D9/415 X

D. 281,306 11/1985 Reichenstein D9/415
D. 283,489 4/1986 Stevens D9/415 X

FOREIGN PATENT DOCUMENTS

956743 3/1972 United Kingdom .

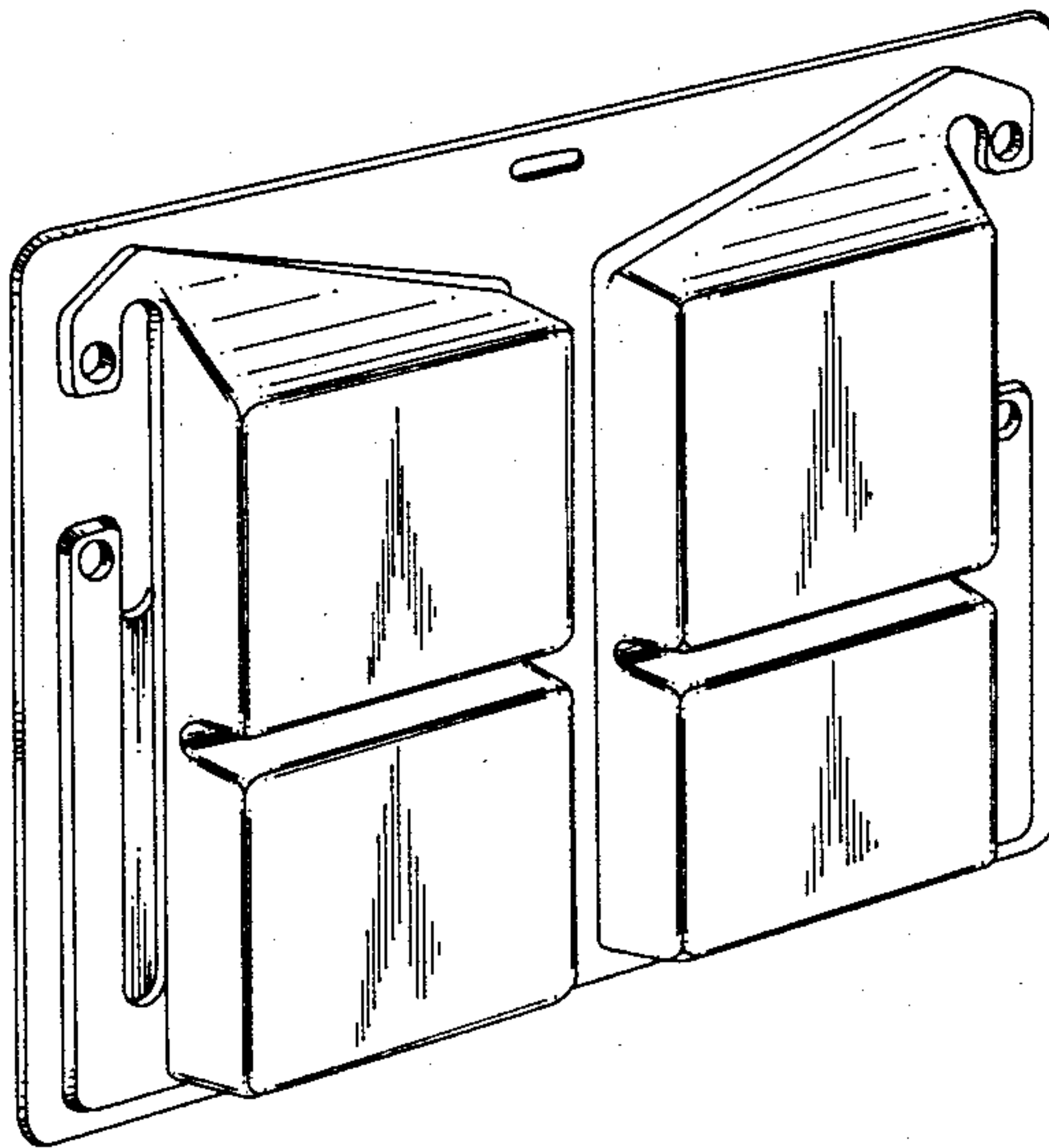
Primary Examiner—Robert C. Spangler
Attorney, Agent, or Firm—Shlesinger Fitzsimmons
Shlesinger

[57] **CLAIM**

The ornamental design for a packaging container, substantially as shown and described.

DESCRIPTION

FIG. 1 is a front elevational view of a packaging container showing my new design;
FIG. 2 is a bottom plan view thereof;
FIG. 3 is a perspective view thereof;
FIG. 4 is a side elevational view from the left side thereof; and
FIG. 5 is a side elevational view from the right side thereof.
The rear thereof is plain and unornamented.



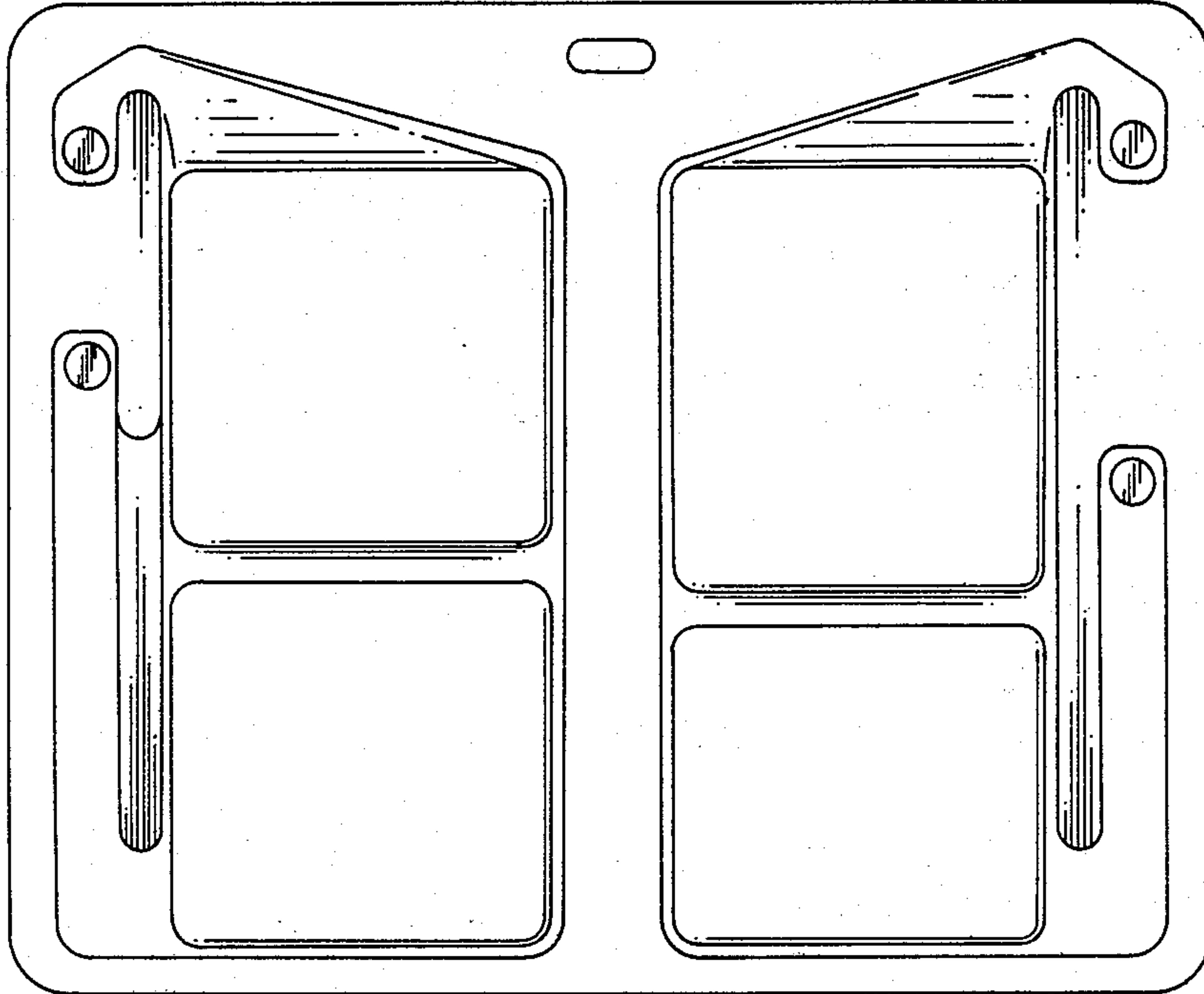


FIG. 1

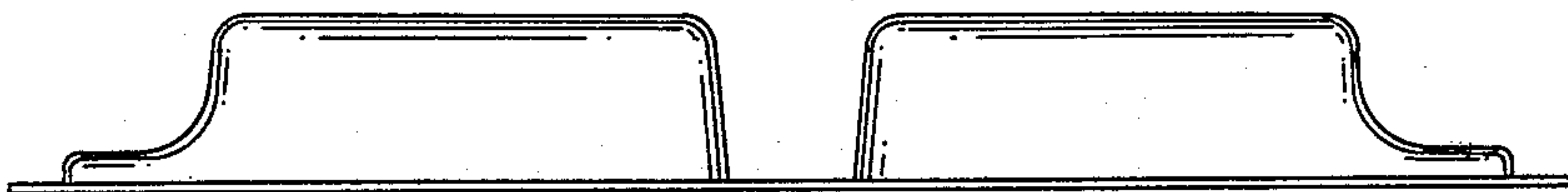


FIG. 2

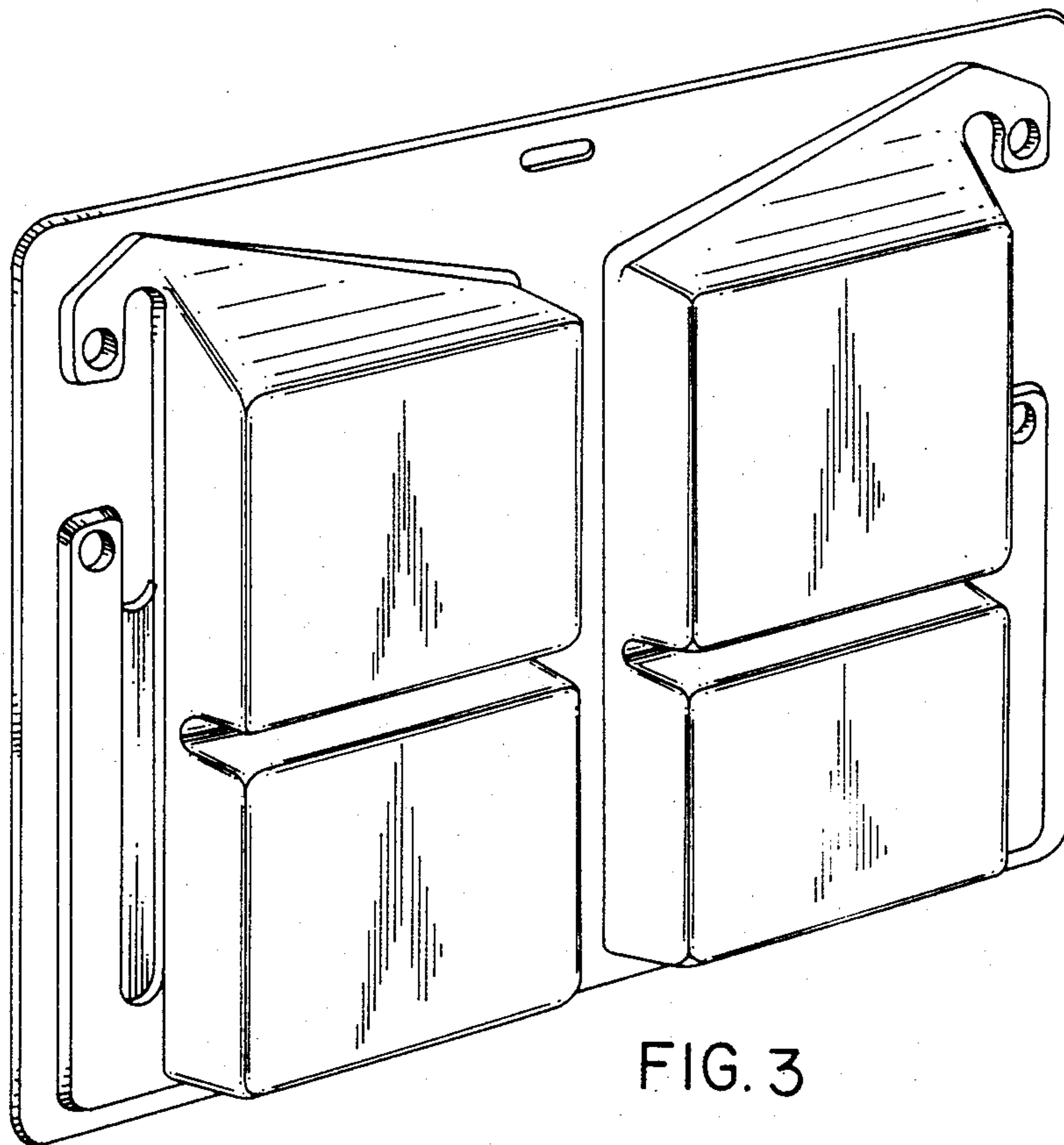


FIG. 3

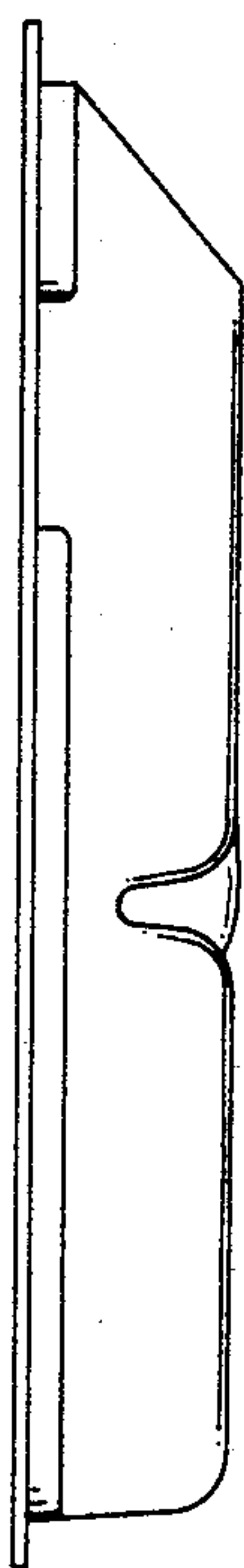


FIG. 4

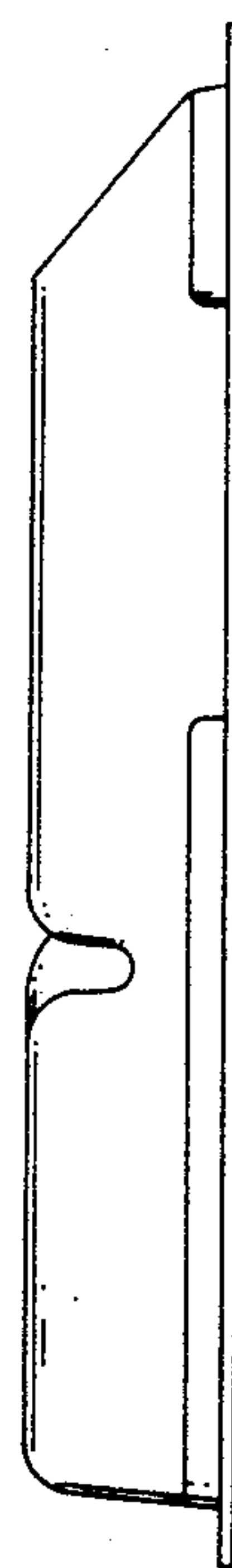


FIG. 5