

[54] COMBINED CONTAINER AND APPLICATOR FOR POLISH IN THE FORM OF PASTE

D. 279,648 7/1985 Fini D9/338 X
2,710,983 6/1955 Abrams et al. D3/30.5 X

[75] Inventor: Rainer Koeck, Mainz-Kostheim, Fed. Rep. of Germany

Primary Examiner—Robert C. Spangler
Attorney, Agent, or Firm—Jacobs & Jacobs

[73] Assignee: Werner & Mertz G.m.b.H, Del.X

[57] CLAIM

[**] Term: 14 Years

The ornamental design for a combined container and applicator for polish in the form of paste, as shown and described.

[21] Appl. No.: 656,188

DESCRIPTION

[22] Filed: Oct. 1, 1984

[52] U.S. Cl. D9/338

[58] Field of Search D9/337, 338; D3/30.5; D4/119, 137, 138

FIG. 1 is a perspective view of a combined container and applicator for polish in the form of paste showing my new design;

FIG. 2 is a front elevational view;

FIG. 3 is a rear elevational view;

FIG. 4 is a top plan view;

FIG. 5 is a bottom plan view;

FIG. 6 is a left side elevational view;

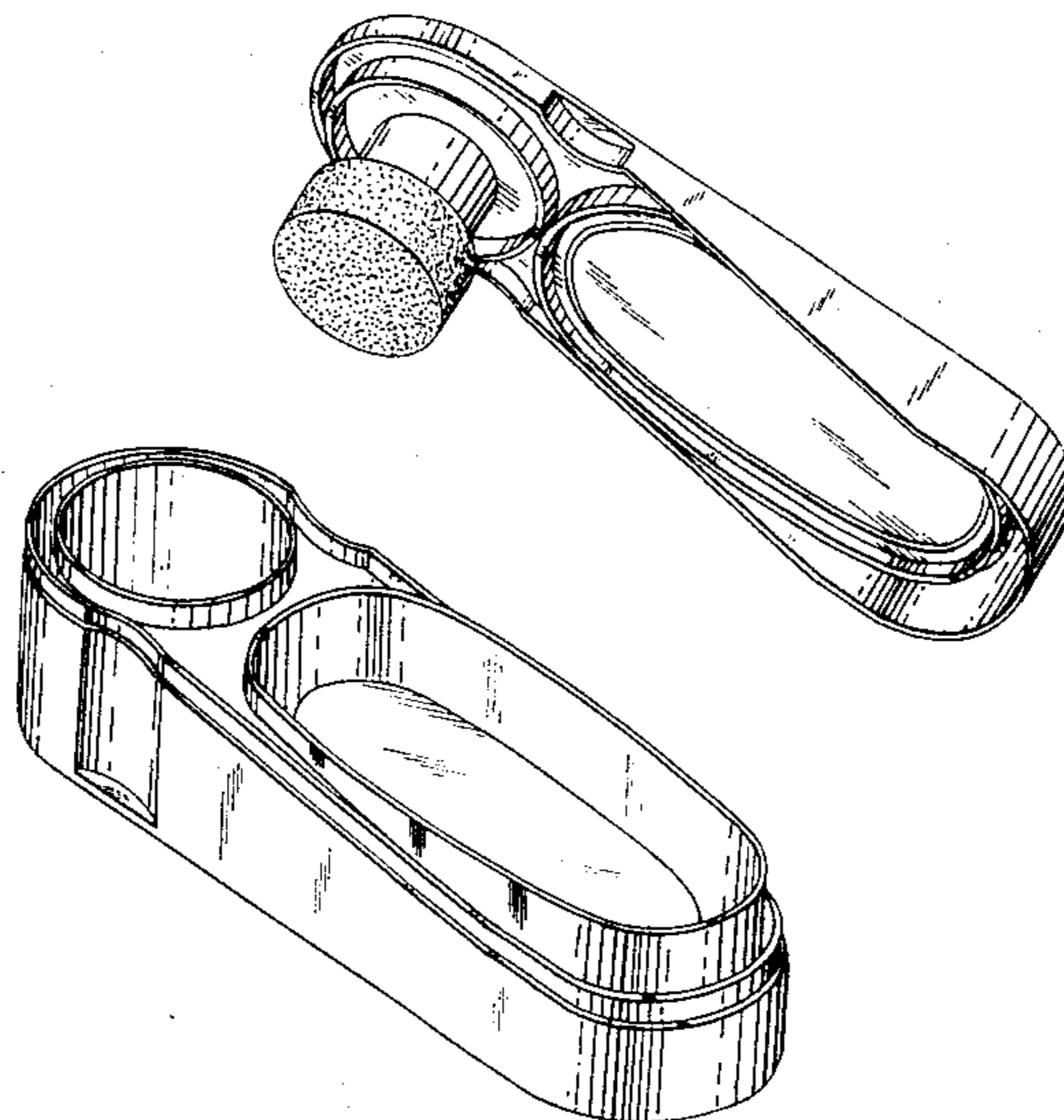
FIG. 7 is a right side elevational view; and,

FIG. 8 is a perspective view of the combined container and applicator for polish in the form of paste with the top and bottom separated so as to expose the applicator and container.

[56] References Cited

U.S. PATENT DOCUMENTS

D. 86,604	3/1932	Hutcheson	D9/338
D. 146,914	6/1947	Grae	D3/30.5
D. 195,819	8/1963	Mathison	D3/30.5
D. 216,294	12/1969	Rias	D9/338
D. 221,602	8/1971	Neis	D3/30.5
D. 234,910	4/1975	Sanders	D9/337



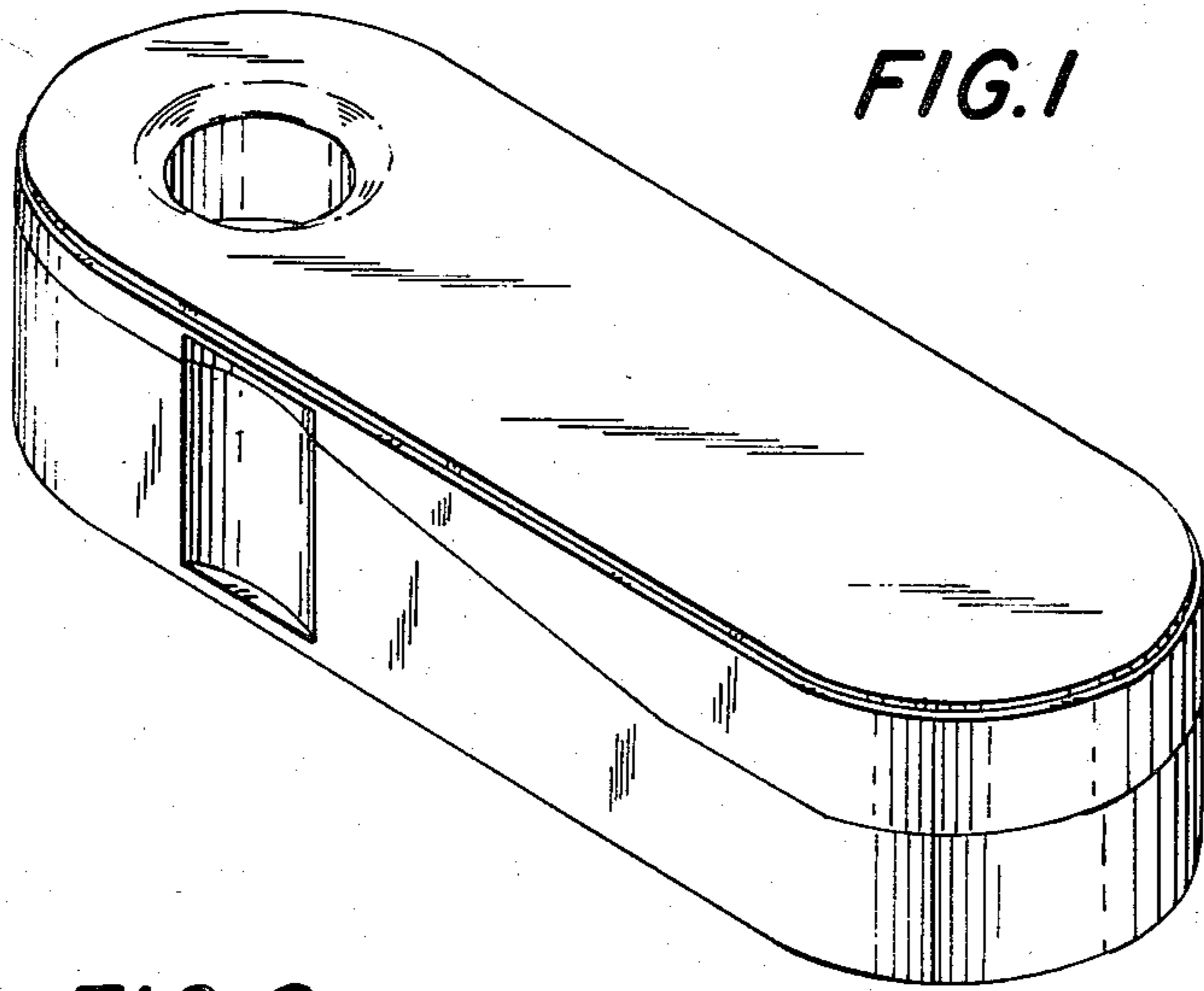


FIG. 2

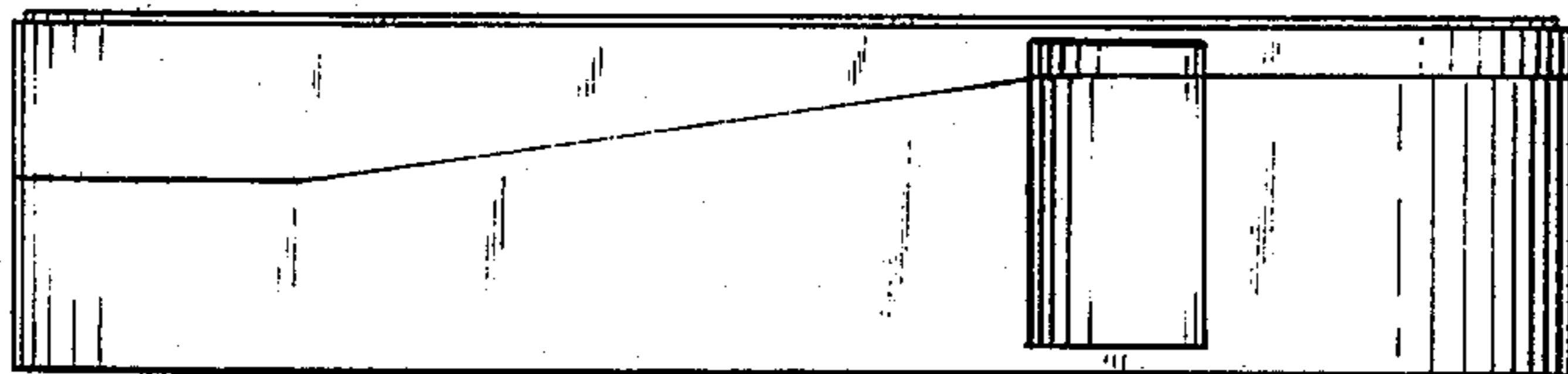
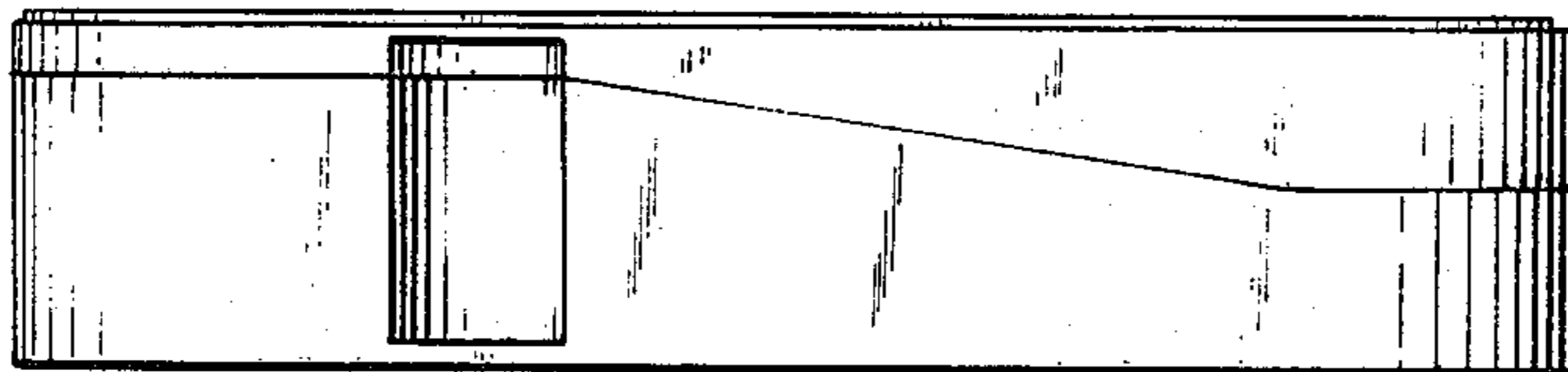


FIG. 3

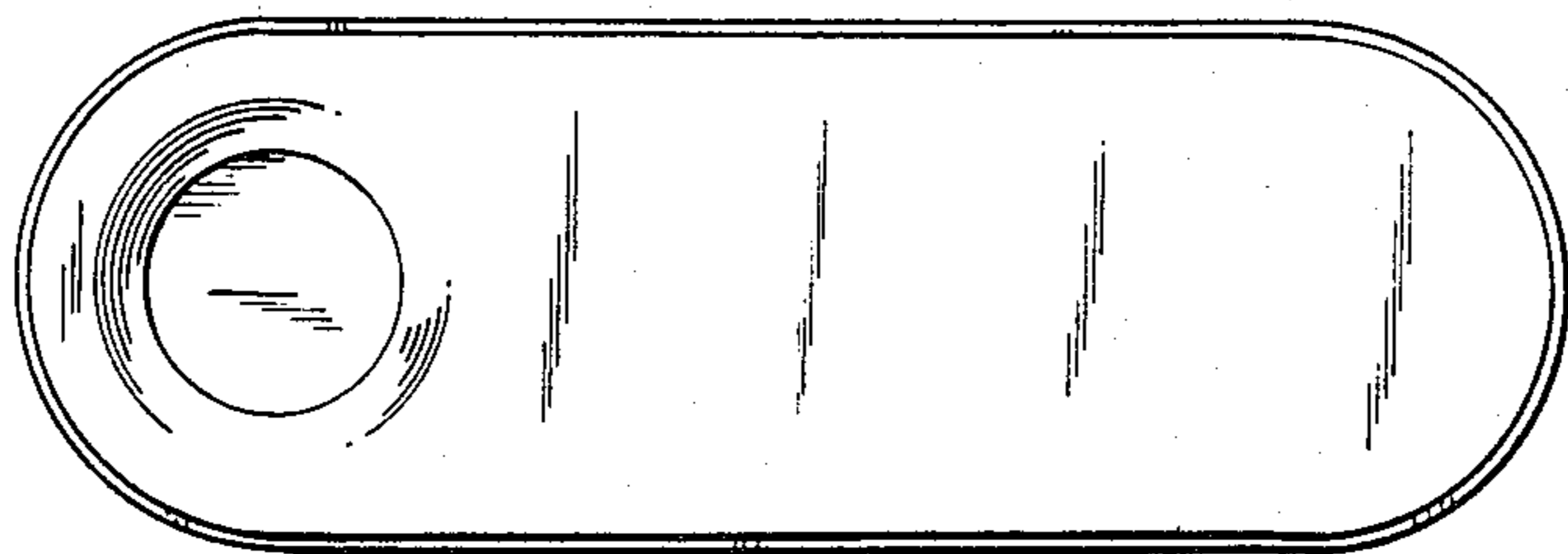


FIG. 4

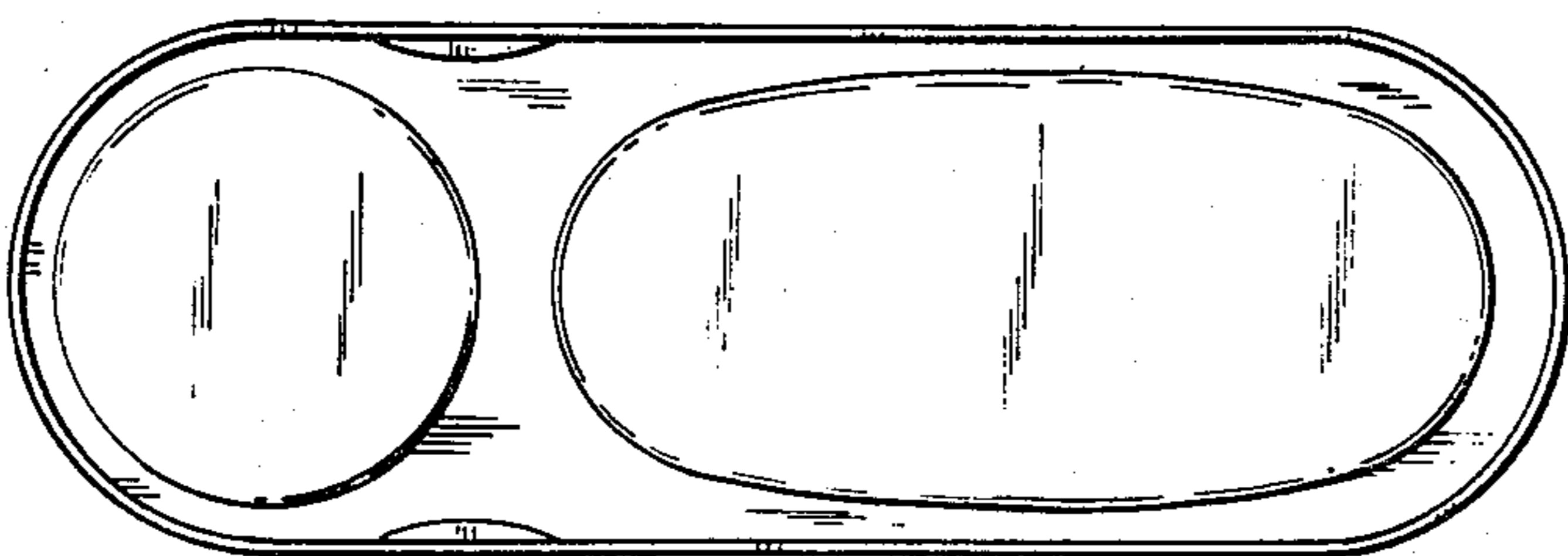


FIG. 5

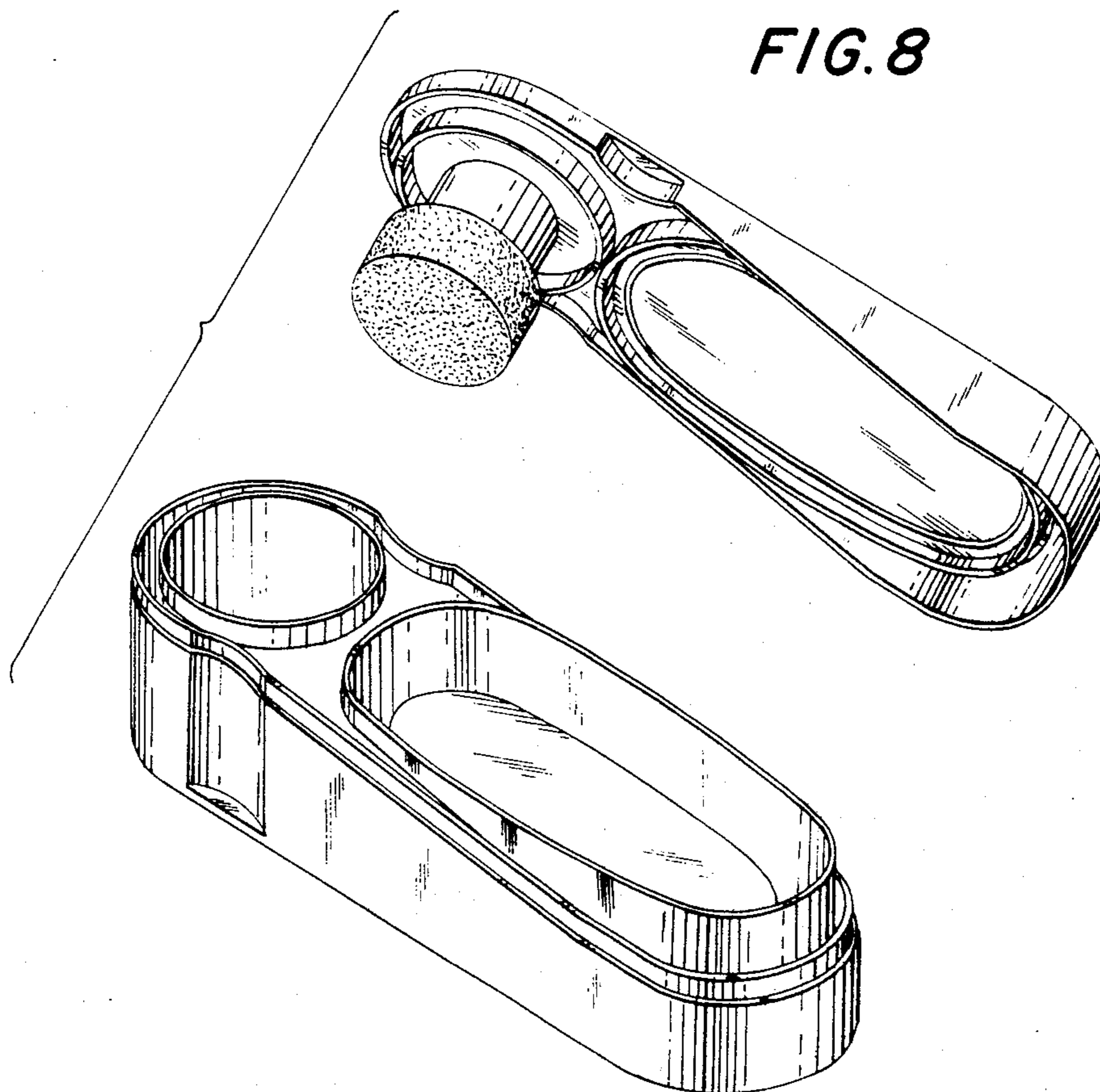


FIG. 6

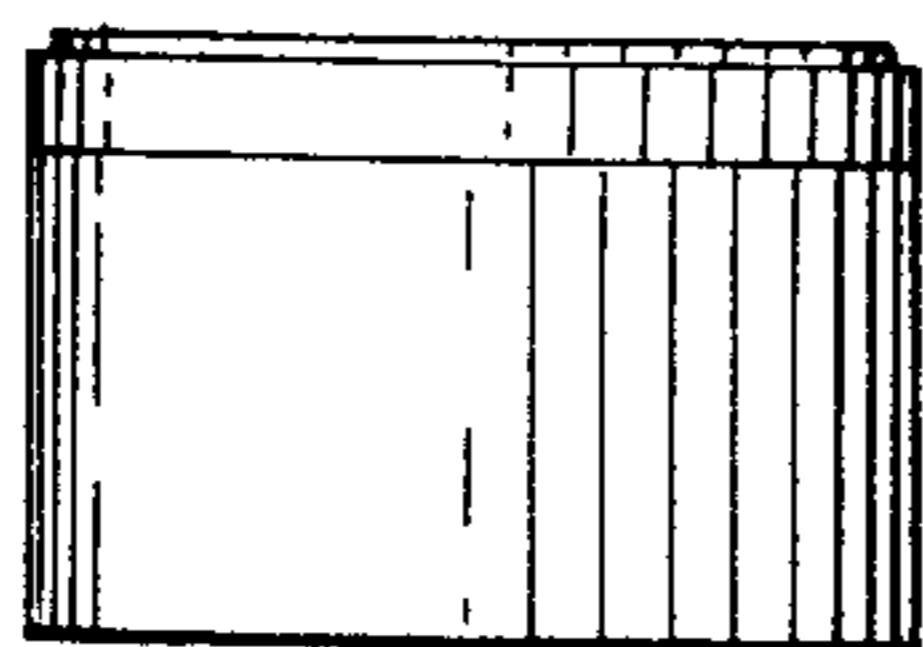


FIG. 7

