

[54] DISPLAY FIXTURE SUPPORT BRACKET

[76] Inventor: John W. Hines, 121431-141st Ave. North, Rogers, Minn. 55374

[**] Term: 14 Years

[21] Appl. No.: 682,434

[22] Filed: Dec. 17, 1984

[52] U.S. Cl. D8/373

[58] Field of Search D8/373, 354, 380, 363; 248/251, 257, 258; 211/105.1, 123, 105.4, 105.3, 123, 264

[56] References Cited

U.S. PATENT DOCUMENTS

3,717,258	2/1973	McKinnon	248/251
4,150,753	4/1979	Stahl	211/105.1
4,316,546	2/1982	Varon et al.	248/251
4,316,547	2/1982	Varon	248/251
4,455,007	6/1984	Varon et al.	248/251

Primary Examiner—Wallace R. Burke

Assistant Examiner—Horace B. Fay

Attorney, Agent, or Firm—Kinney & Lange

[57] CLAIM

The display fixture support bracket, substantially as shown and described.

DESCRIPTION

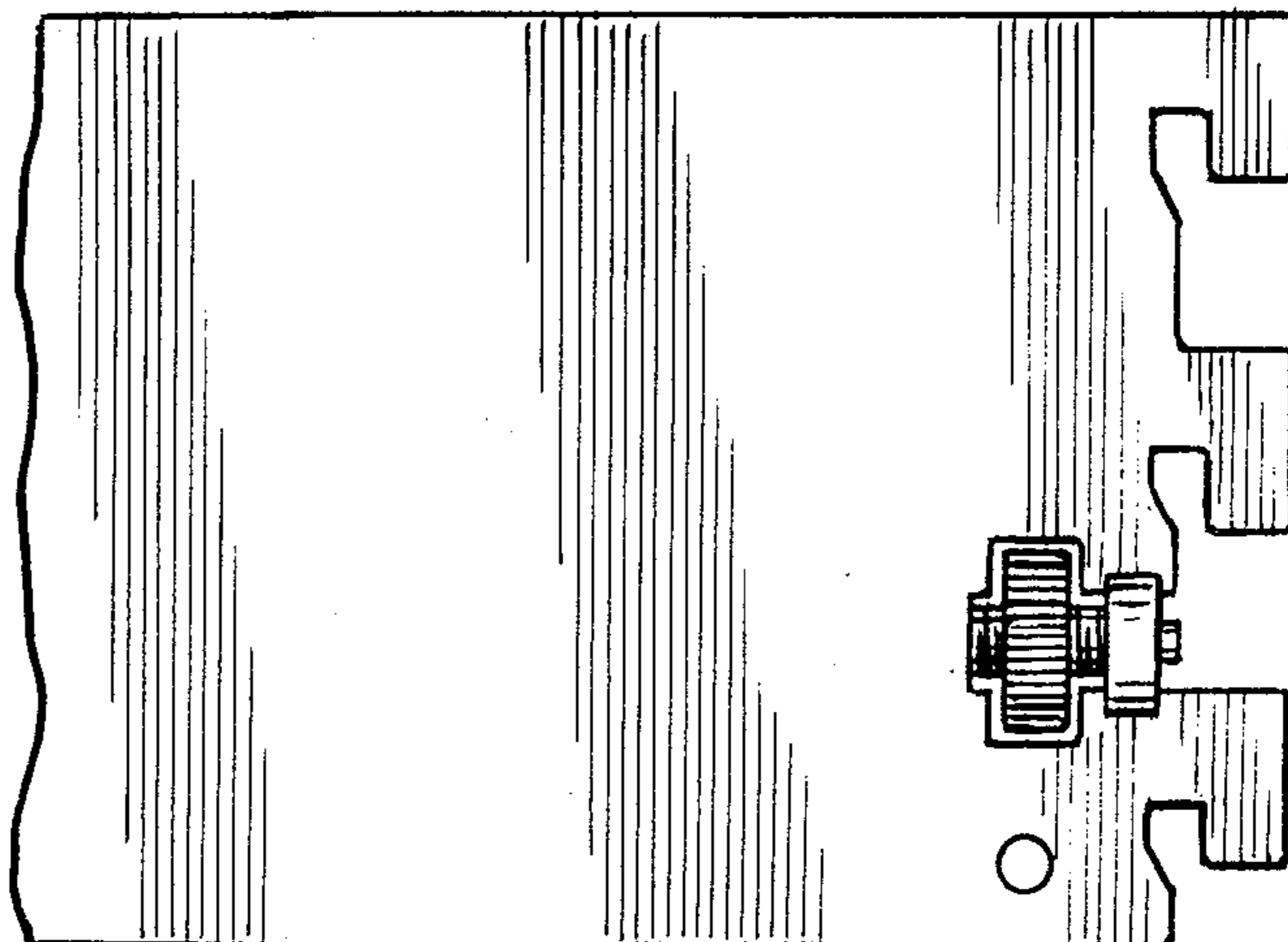
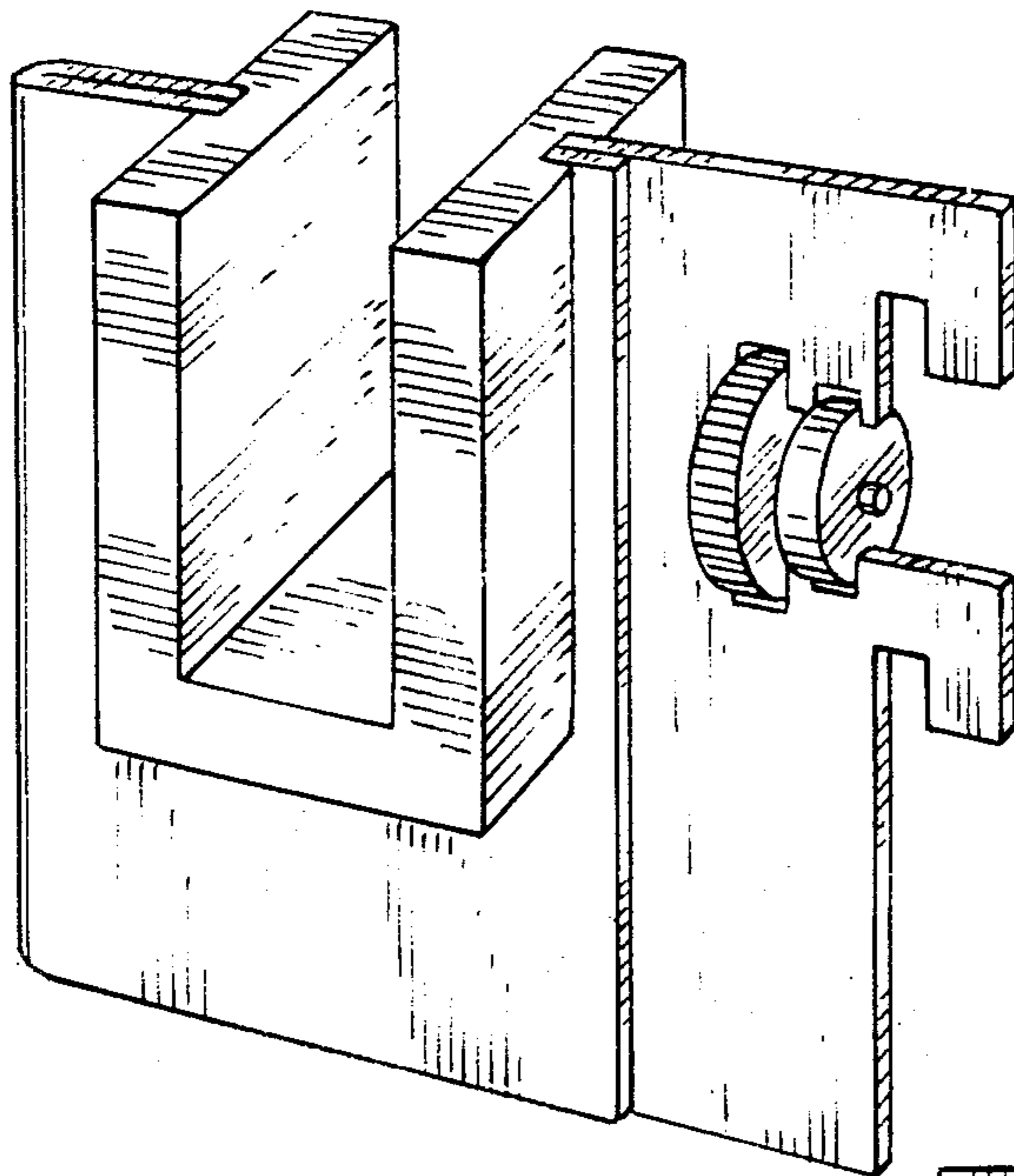
FIG. 1 is a left side elevational view of a display fixture support bracket showing my new design, the side opposite being a mirror image thereof;

FIGS. 2 and 3 are, respectively, rear and front elevational views thereof;

FIGS. 4 and 5 are, respectively, top and bottom plan views thereof;

FIG. 6 is a fragmentary side elevational view of a second embodiment thereof, it being understood that the undisclosed portions substantially thereof are identical in all respects to the first embodiment except for the obvious differences in the hook end of the bracket, and except that the rearward extension of the hook body is indeterminate and not precise, as evident by the figure's fragmentation lines; and

FIG. 7 is a perspective view, from above and to one side, of the bracket as now presented in FIG. 1.



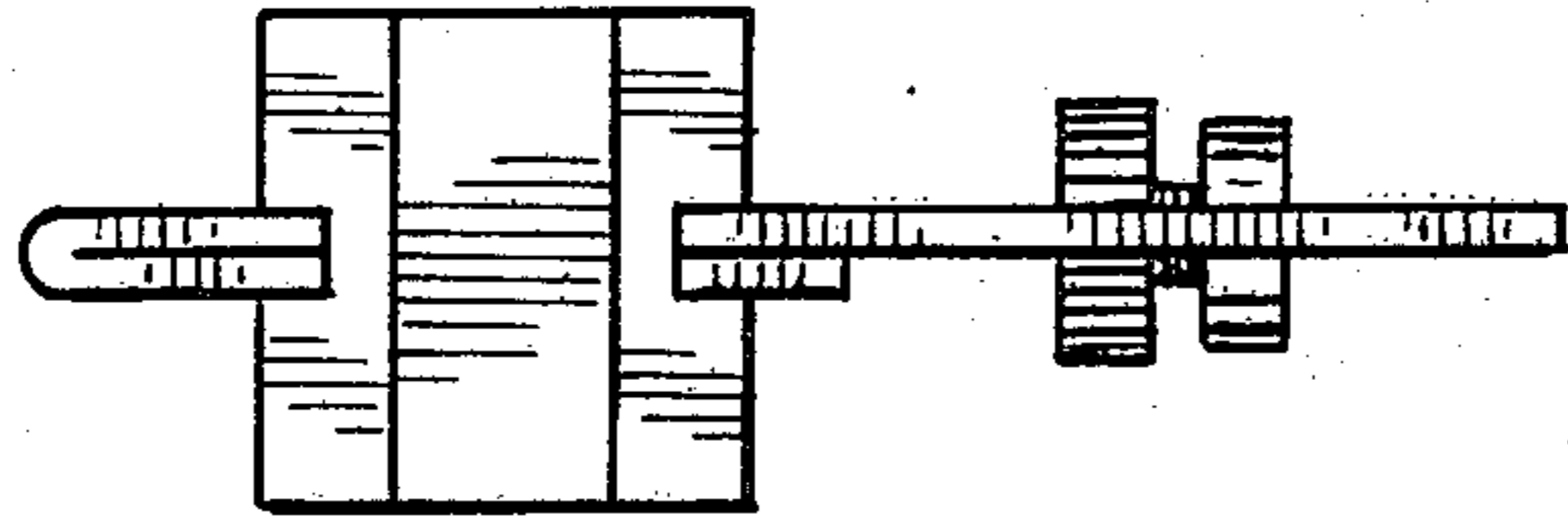


FIG. 4

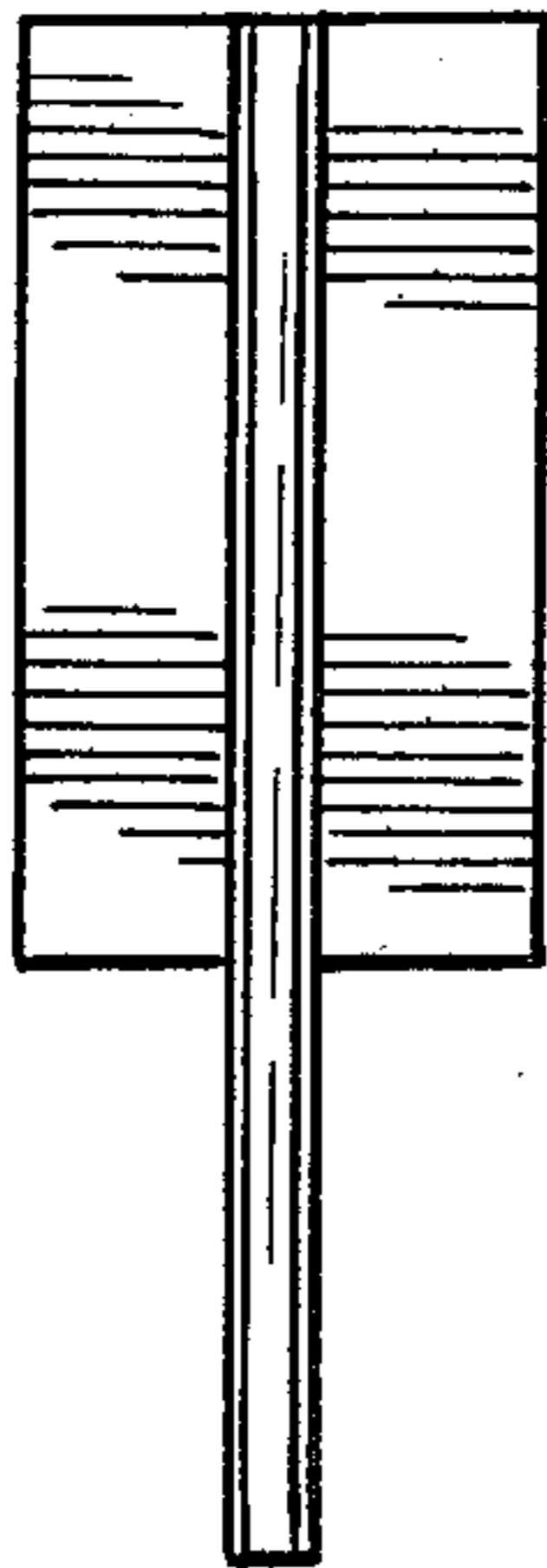


FIG. 2

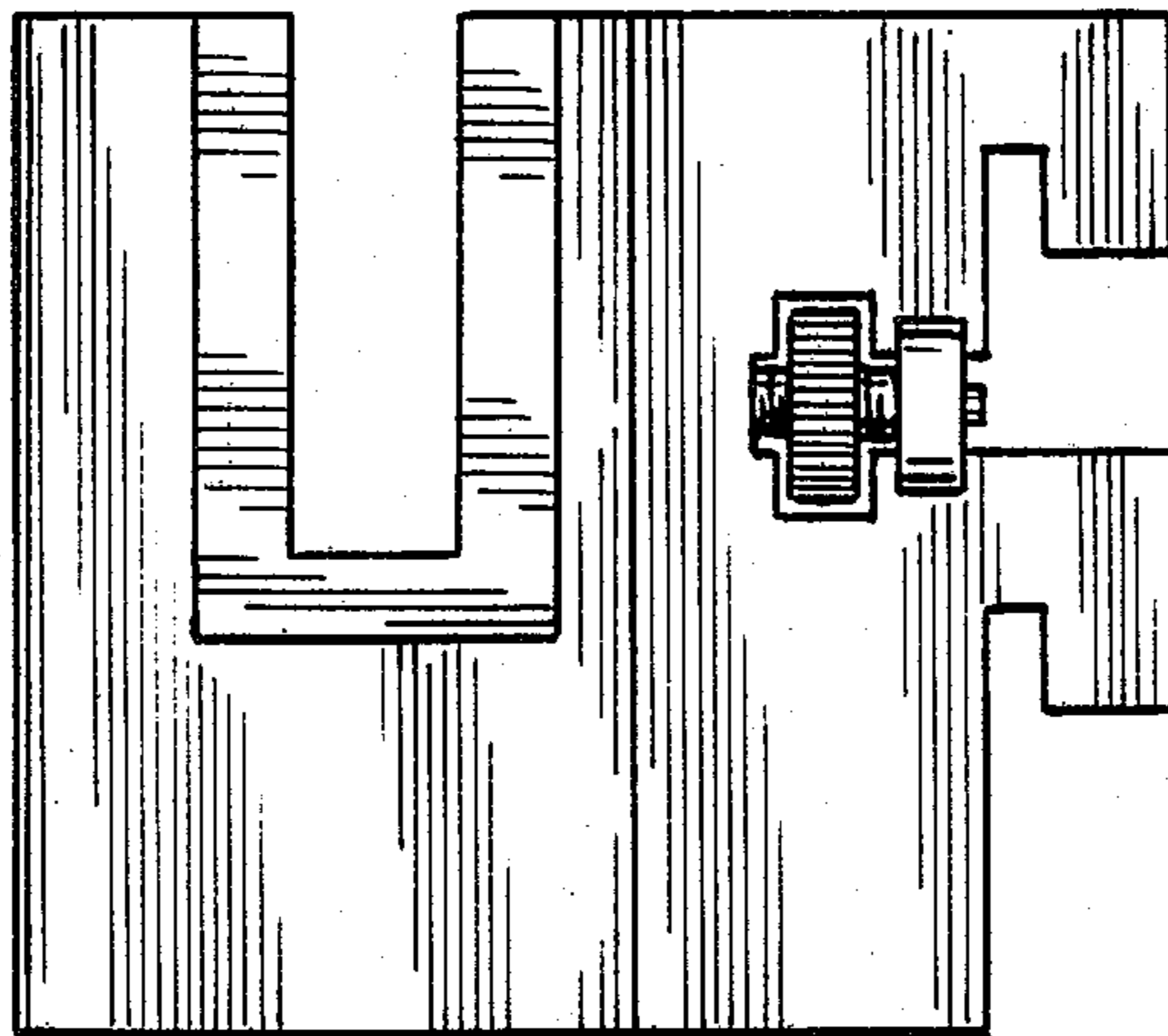


FIG. 1

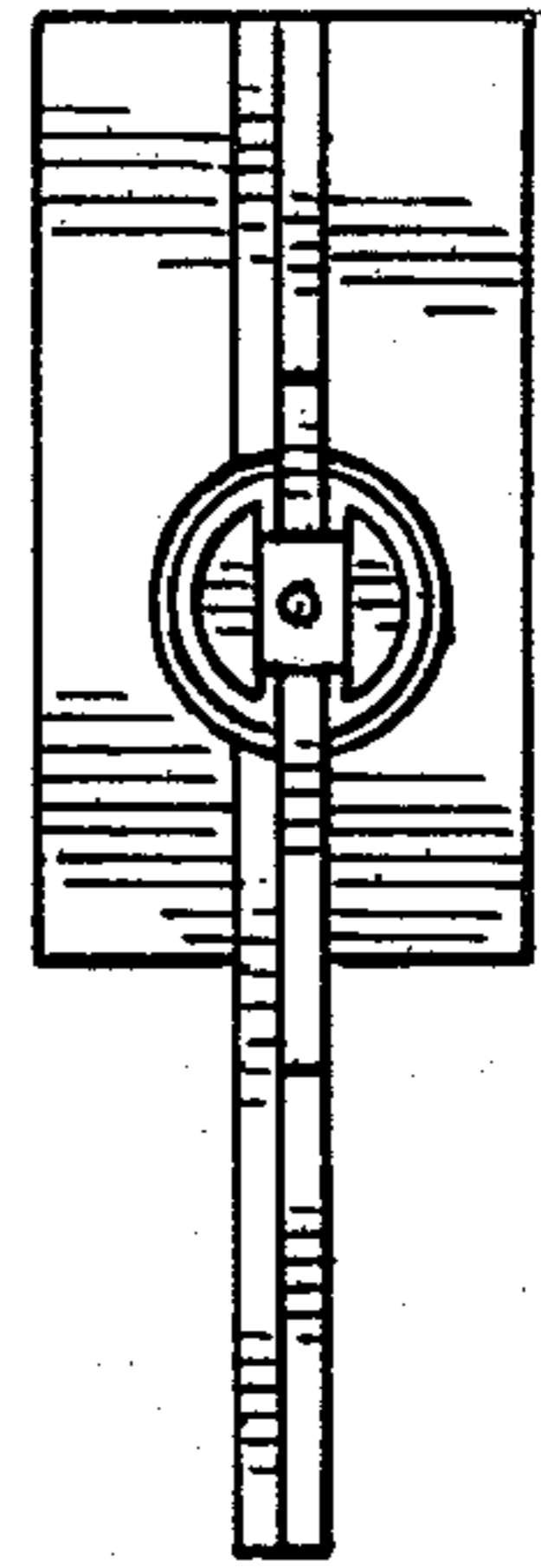


FIG. 3

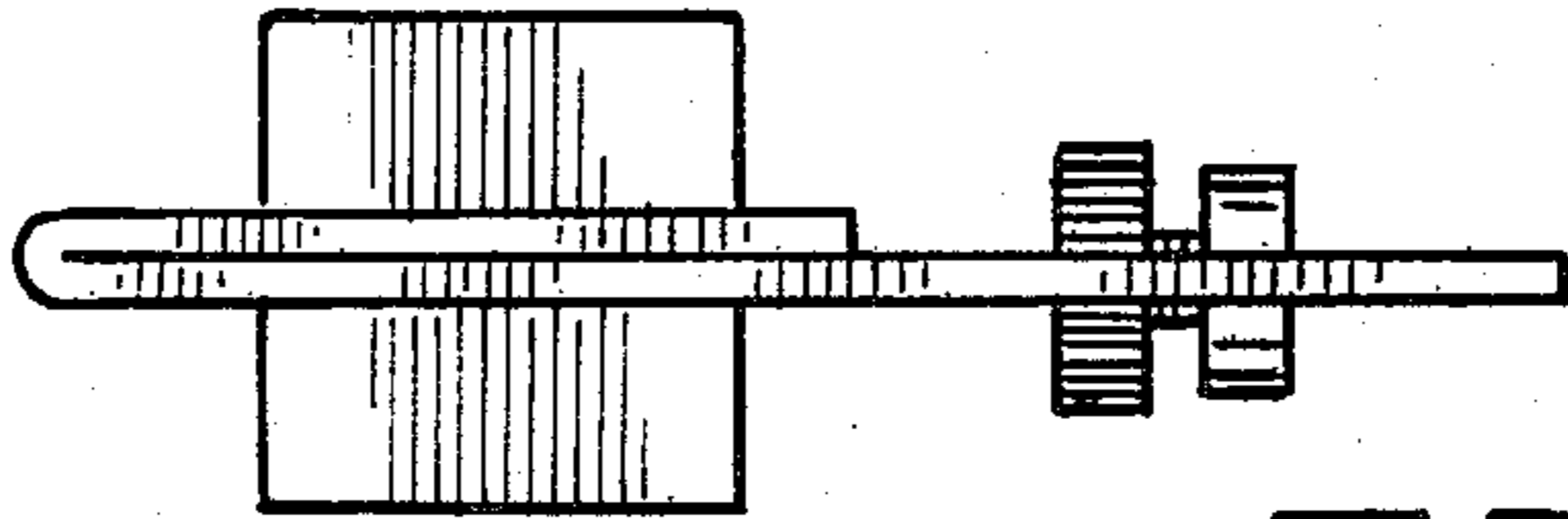


FIG. 5

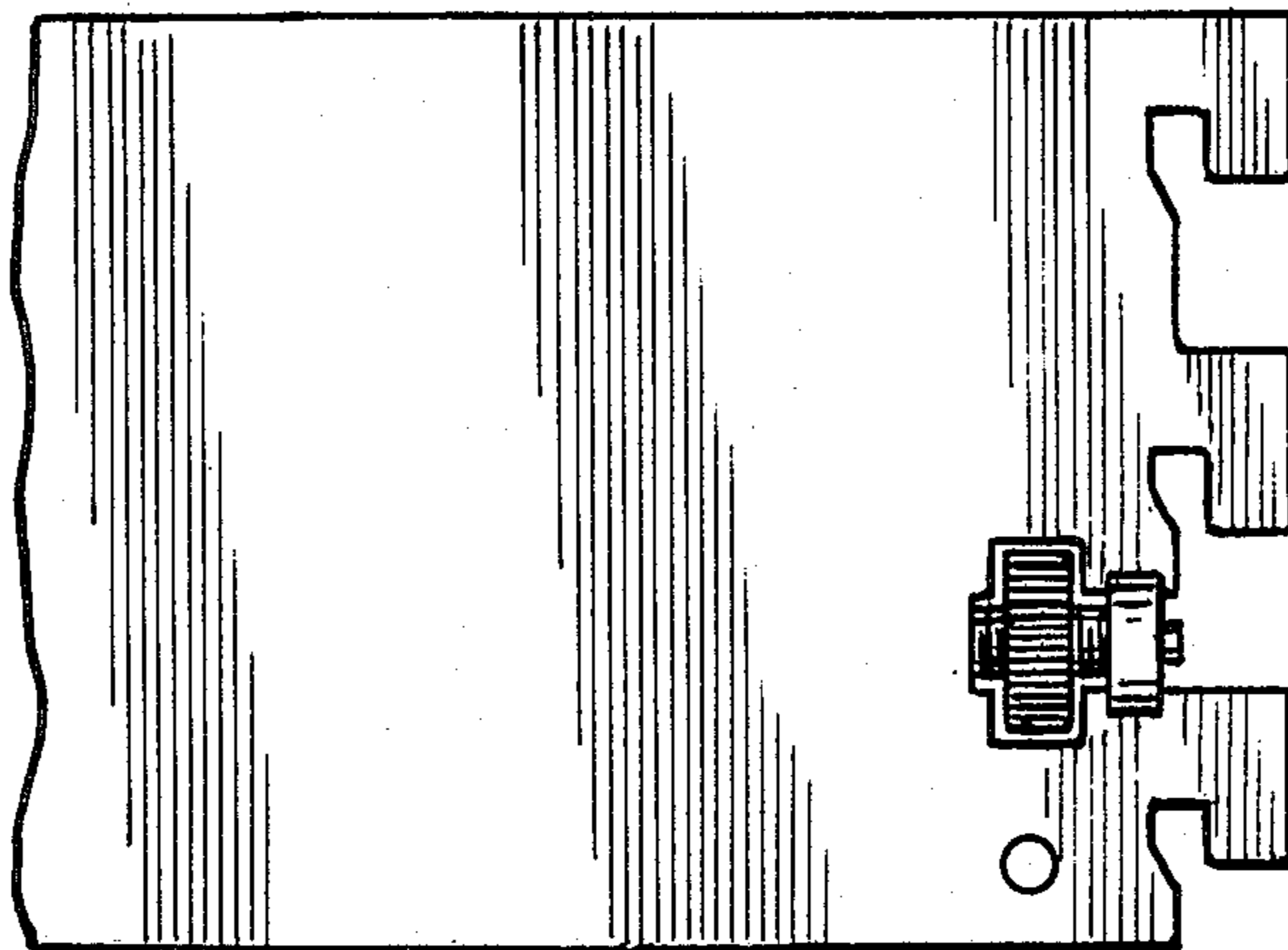


FIG. 6

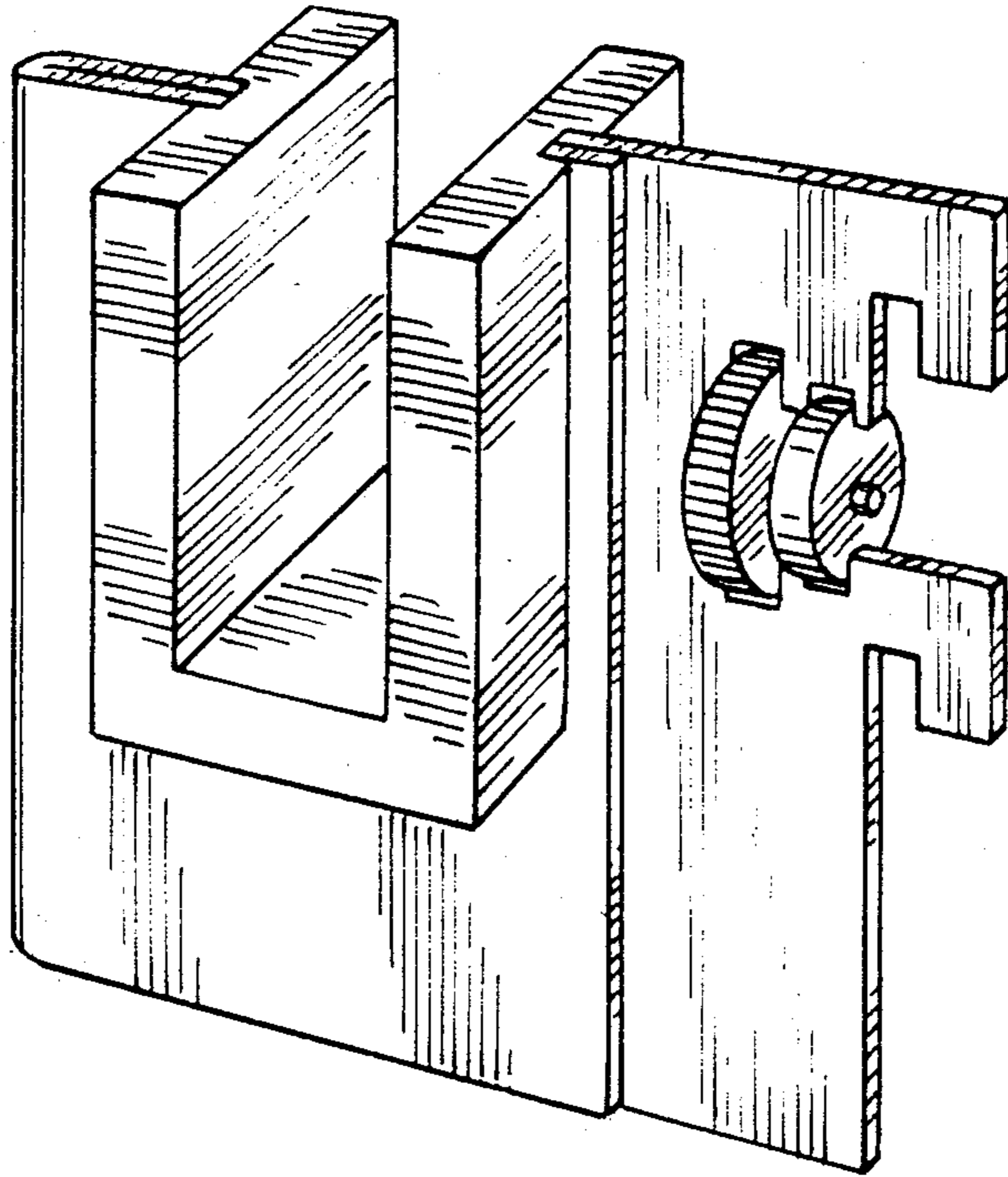


FIG. 7