

United States Patent [19]

Loughridge

[11] Patent Number: **Des. 290,075**

[45] Date of Patent: **** Jun. 2, 1987**

[54] **COMBINED DISPENSER CASE FOR A CONTACT LENS CLEANING FABRIC AND TRAY**

[75] Inventor: **Jane W. Loughridge, St. Paul, Minn.**

[73] Assignee: **Minnesota Mining and Manufacturing Company, St. Paul, Minn.**

[**] Term: **14 Years**

[21] Appl. No.: **639,496**

[22] Filed: **Aug. 9, 1984**

[52] U.S. Cl. **D6/519; D6/469; D6/518**

[58] Field of Search **D6/519, 518, 467, 466, D6/469; 206/409, 581, 564; 242/55.53**

[56] **References Cited**

U.S. PATENT DOCUMENTS

D. 196,067 8/1963 Epstein D6/519
D. 248,199 6/1978 Watley et al. D6/467
2,434,194 1/1948 Broeren et al. 242/55.53

3,134,525 5/1964 Holcombe 206/409
4,382,510 5/1983 Gaffney 206/409

FOREIGN PATENT DOCUMENTS

1323209 2/1963 France 206/409

Primary Examiner—B. J. Bullock

Attorney, Agent, or Firm—Donald M. Sell; James A. Smith; James V. Lilly

[57] **CLAIM**

The ornamental design for a combined dispenser case for a contact lens cleaning fabric and tray, as shown and described.

DESCRIPTION

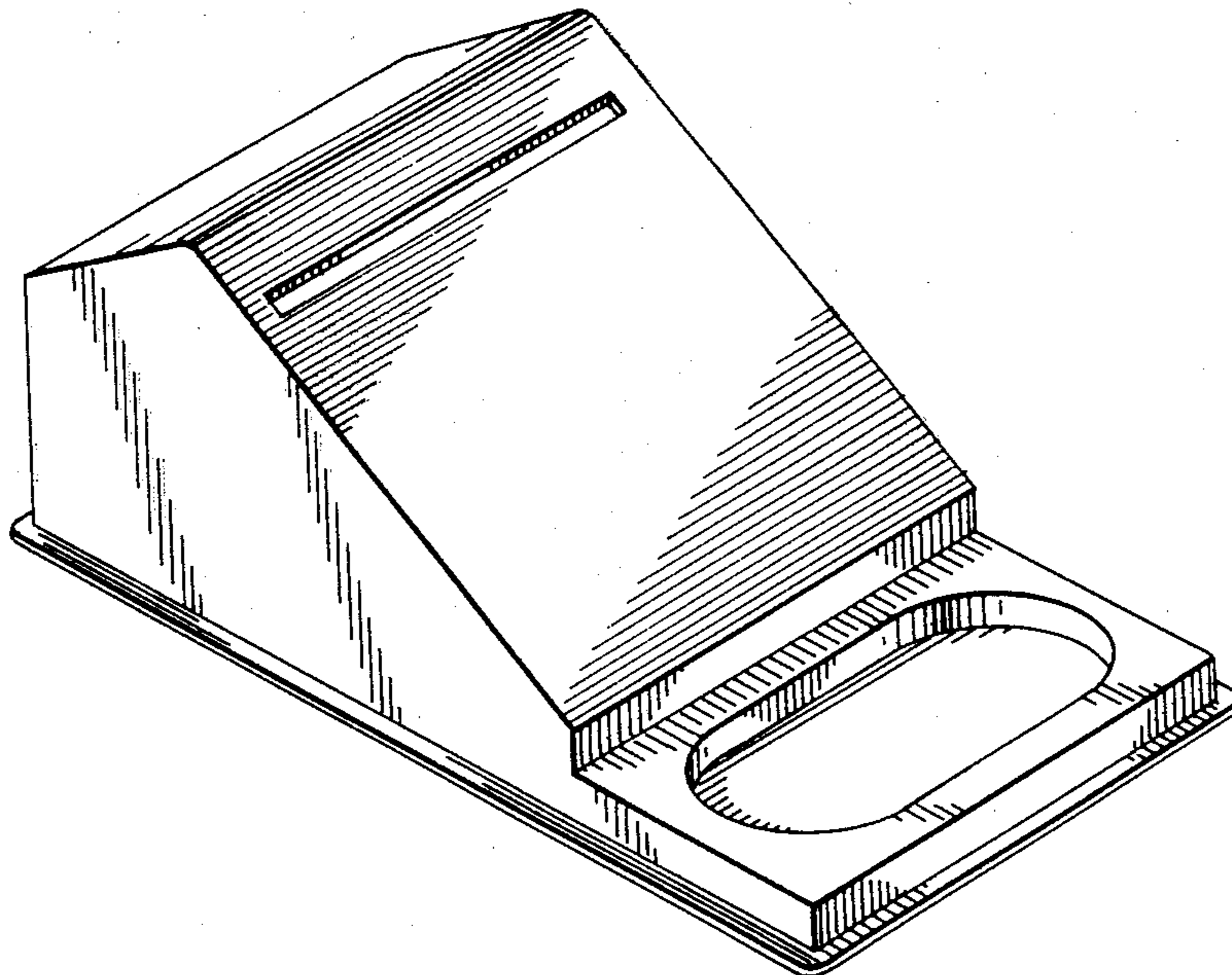
FIG. 1 is a perspective view of a combined dispenser case for a contact lens cleaning fabric and tray showing my new design;

FIG. 2 is an enlarged top plan view thereof, the bottom being unornamented;

FIG. 3 is an enlarged left side elevational view thereof, the right side being a mirror image;

FIG. 4 is an enlarged front elevational view thereof;

FIG. 5 is an enlarged rear elevational view thereof.



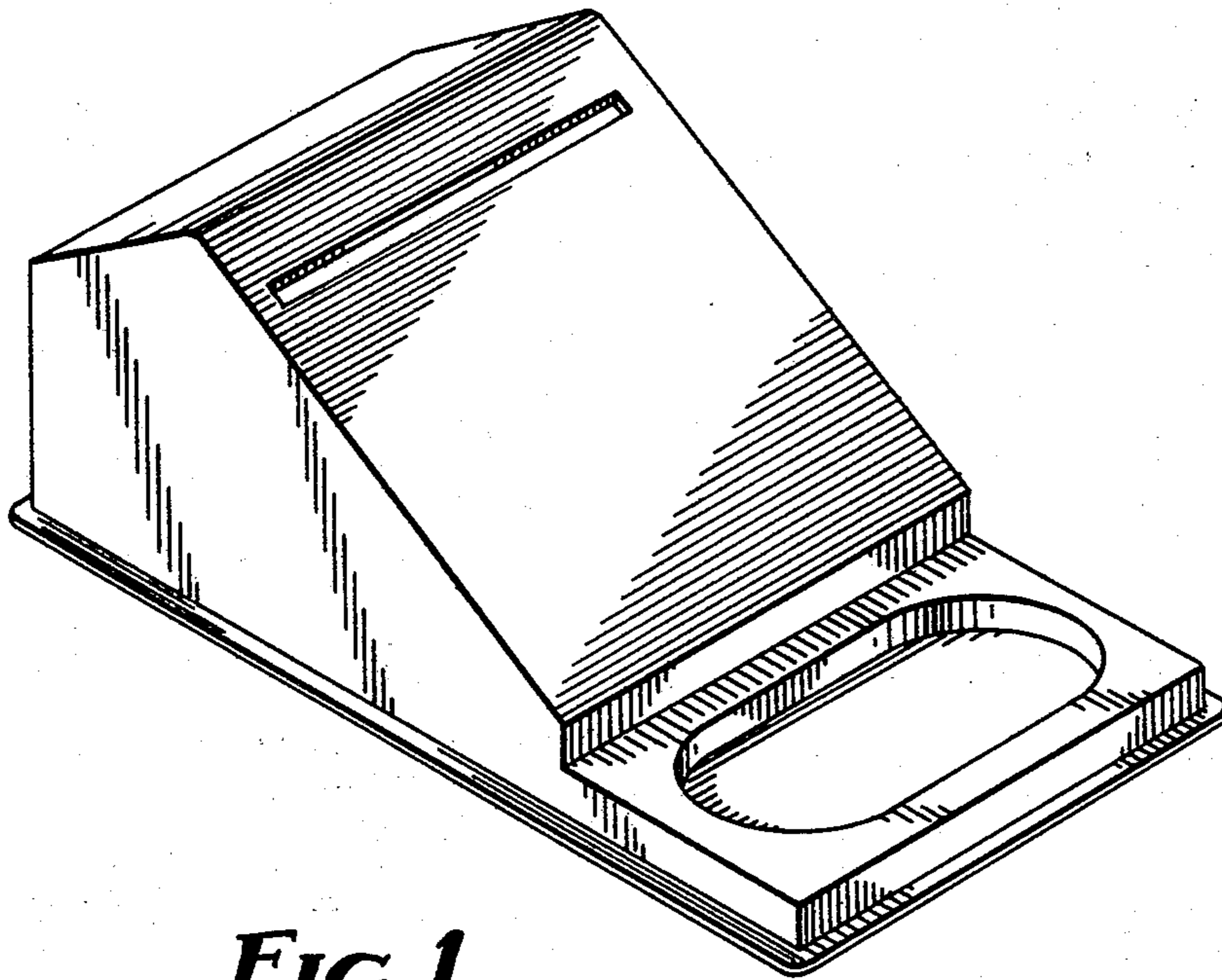


FIG. 1

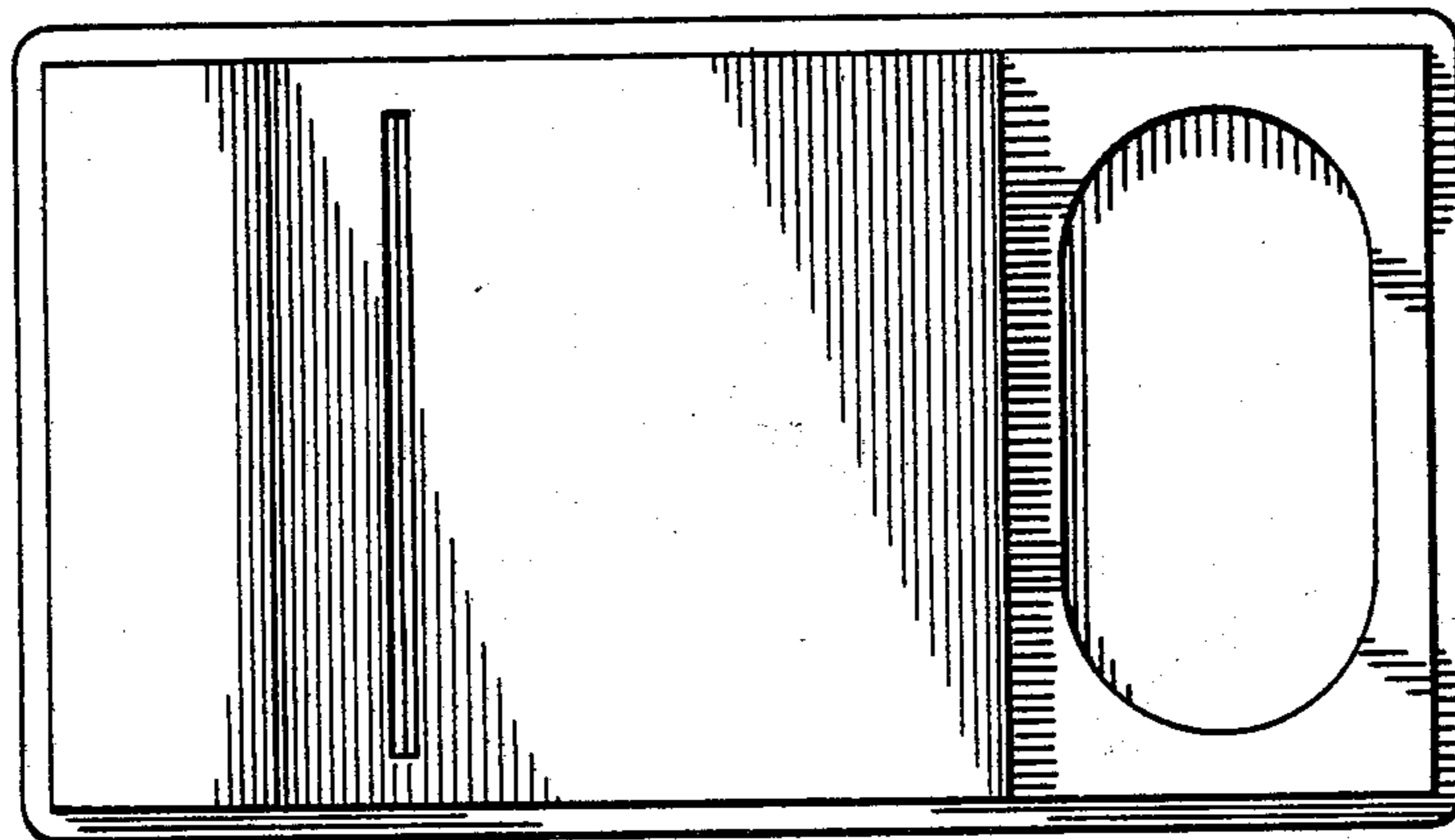


FIG. 2

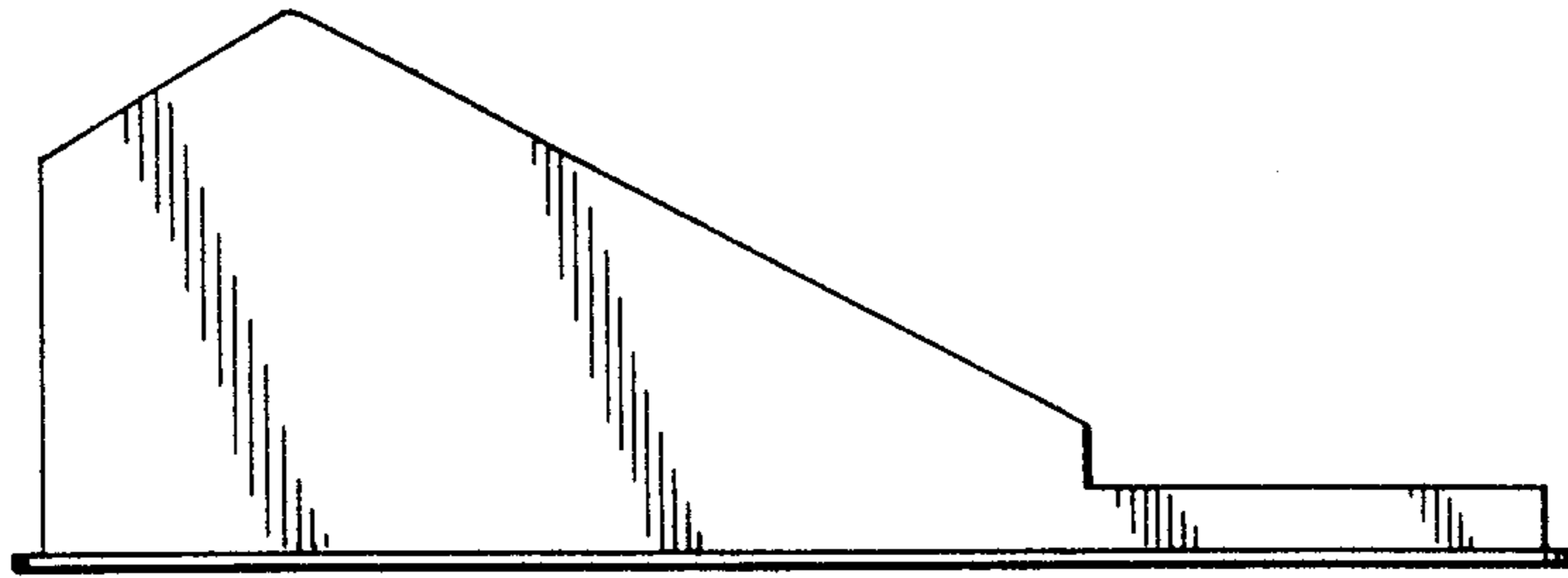


FIG. 3

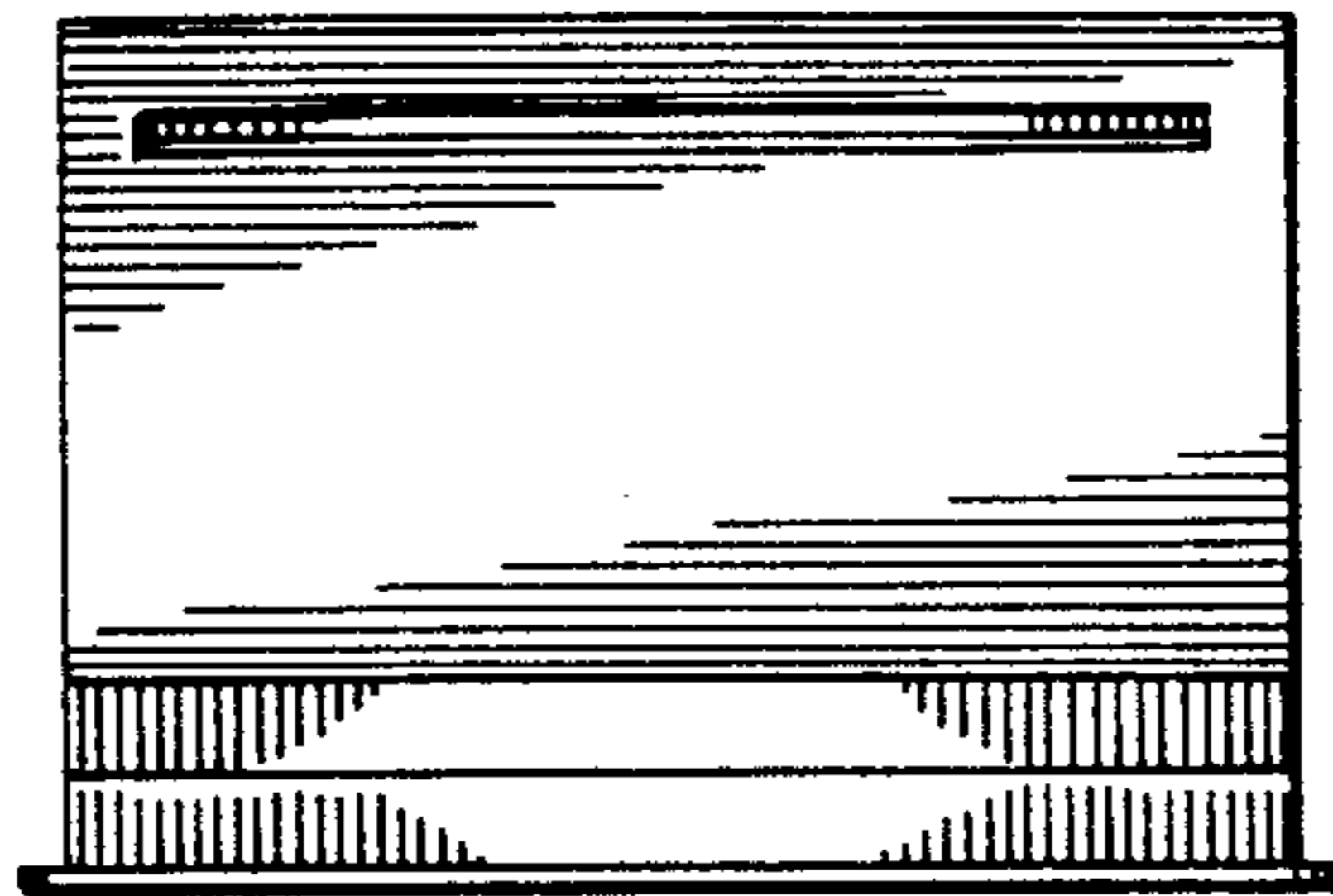


FIG. 4

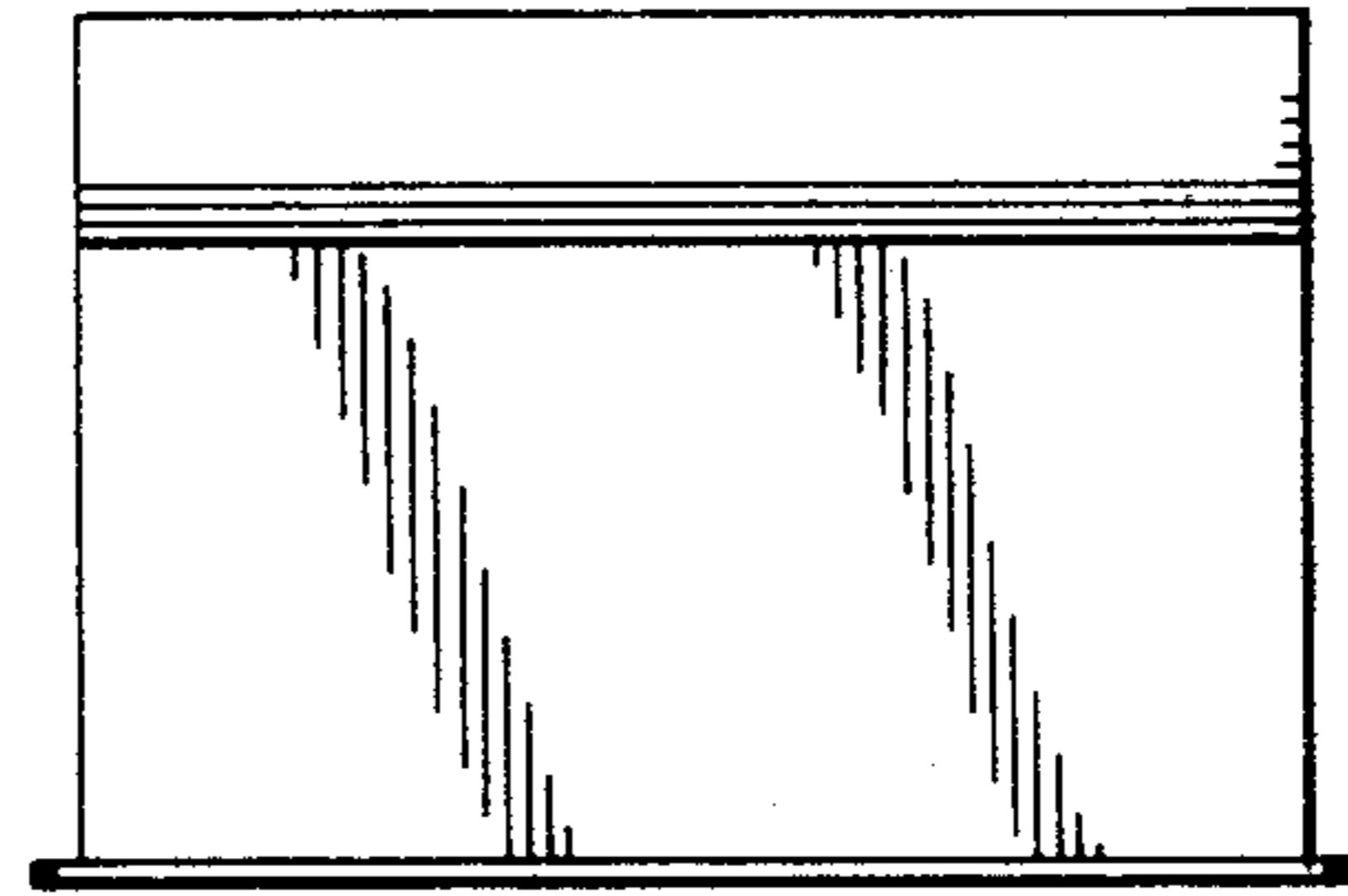


FIG. 5