

# United States Patent [19]

Doerner

[11] Patent Number: **Des. 290,073**

[45] Date of Patent: **\*\* Jun. 2, 1987**

[54] **CHAIR CONTROL**

[76] Inventor: **Frank Doerner**, 138 Aberdeen Rd.,  
Kitchener, Ontario, Canada, N2M  
2Y7

[\*\*] Term: **14 Years**

[21] Appl. No.: **691,515**

[22] Filed: **Jan. 14, 1985**

[30] **Foreign Application Priority Data**

Nov. 6, 1984 [CA] Canada ..... 06-11-84-5

[52] U.S. Cl. .... **D6/500**

[58] Field of Search ..... D6/334, 364, 365, 366,  
D6/491, 496, 500; 248/378, 381; 297/301, 313,  
325

[56] **References Cited**

**U.S. PATENT DOCUMENTS**

D. 213,494 3/1969 Speicher et al. .... D6/500  
D. 242,514 11/1976 Doerner ..... D6/500  
D. 246,217 11/1977 Doerner ..... D6/500

D. 247,943 5/1978 Doerner ..... D6/500  
D. 250,501 12/1978 Pinaire et al. .... D6/500  
D. 259,457 6/1981 Smith ..... D6/500  
D. 285,633 9/1986 Doerner ..... D6/500  
3,741,607 6/1973 Cramer ..... 297/313 X  
3,823,980 7/1974 Harnick ..... 297/313 X

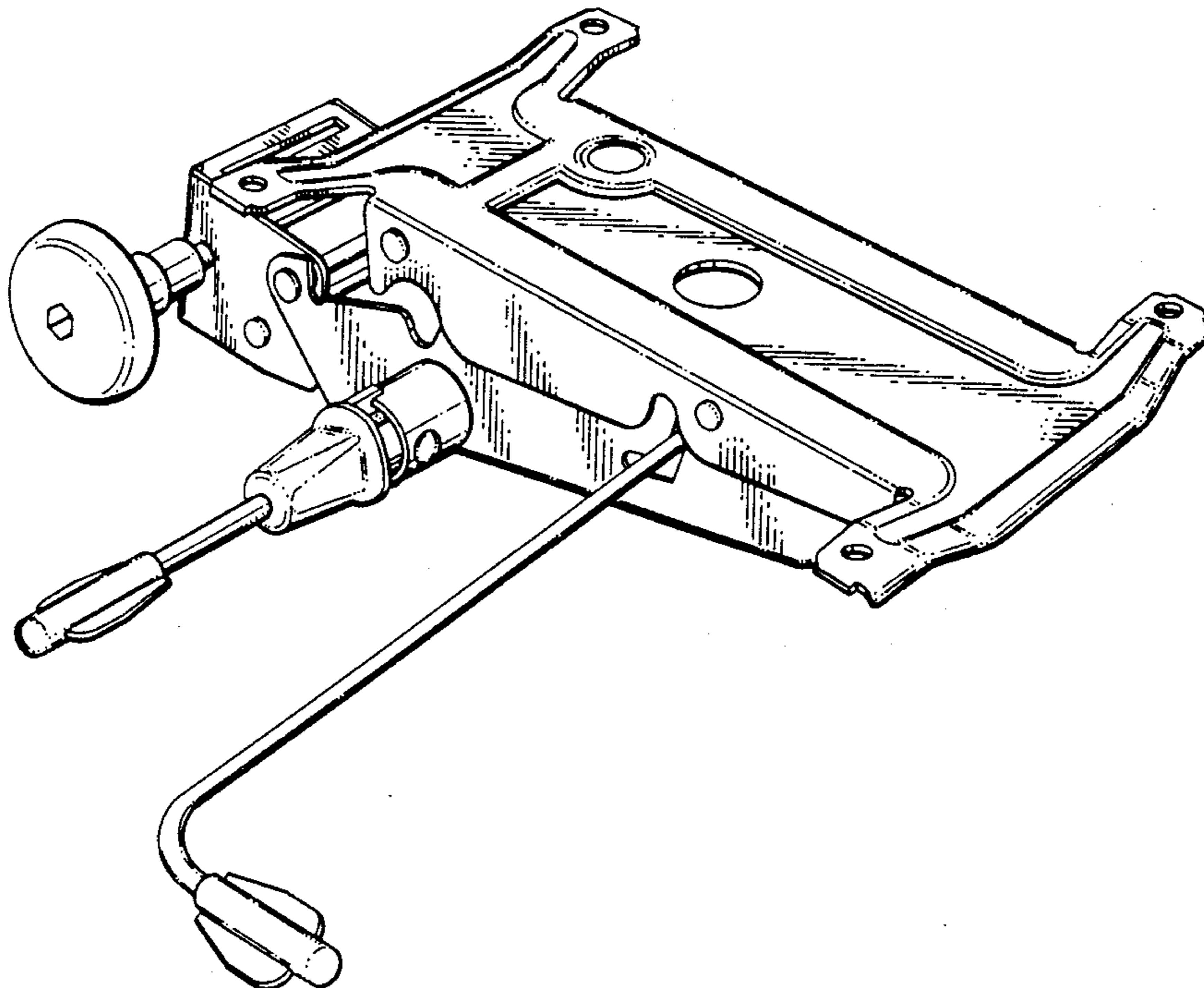
*Primary Examiner*—Bruce W. Dunkins  
*Attorney, Agent, or Firm*—Riches, McKenzie & Herbert

[57] **CLAIM**

The ornamental design for a chair control, substantially as shown.

**DESCRIPTION**

FIG. 1 is a front perspective view of a chair control showing my new design;  
FIG. 2 is a bottom view thereof;  
FIG. 3 is a top view thereof;  
FIG. 4 is a side elevational view thereof;  
FIG. 5 is a side elevational view of the opposite side shown in FIG. 4;  
FIG. 6 is an end elevational view; and  
FIG. 7 is an end elevational view of the opposite end shown in FIG. 6.



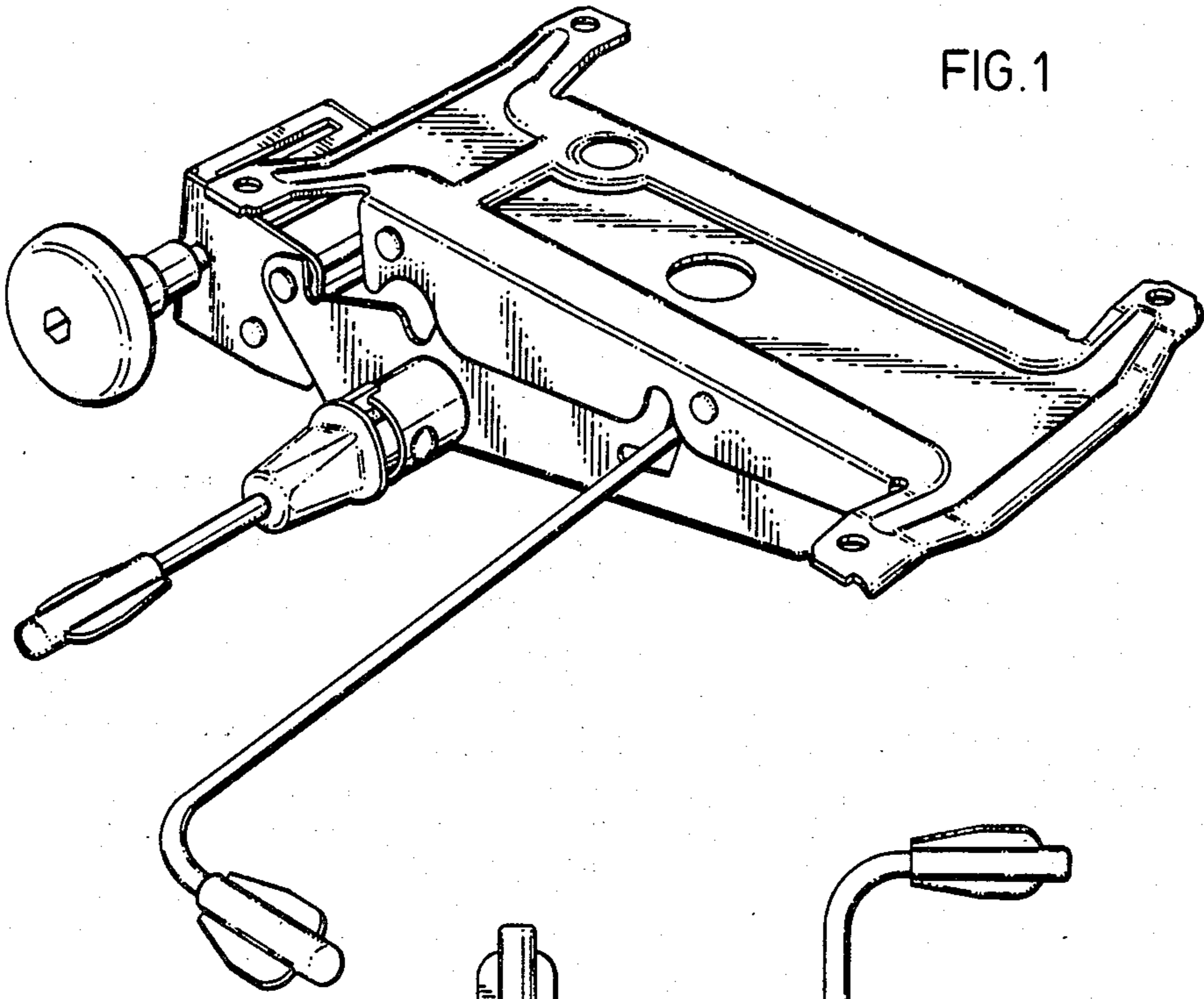


FIG. 1

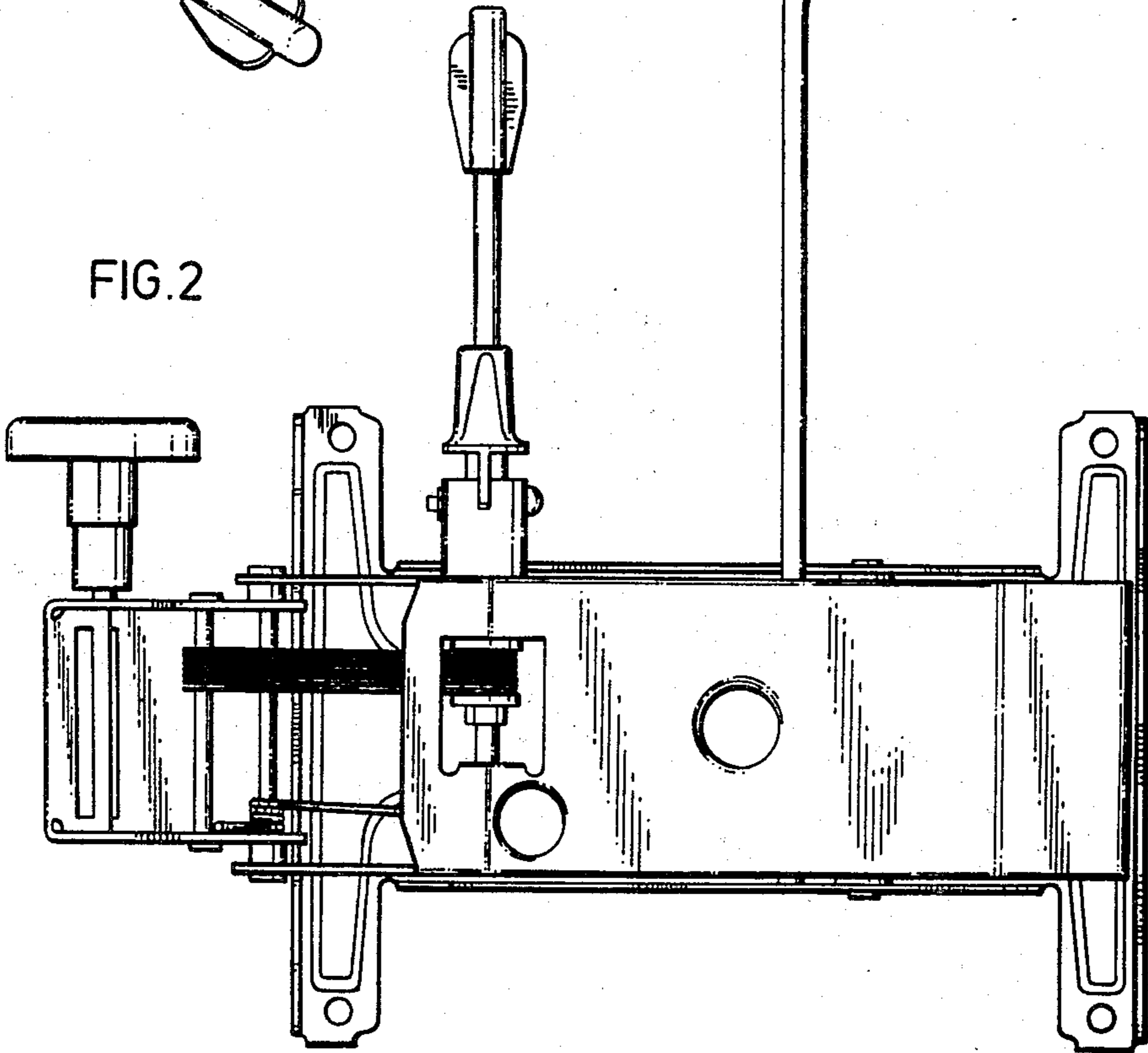


FIG. 2

FIG. 3.

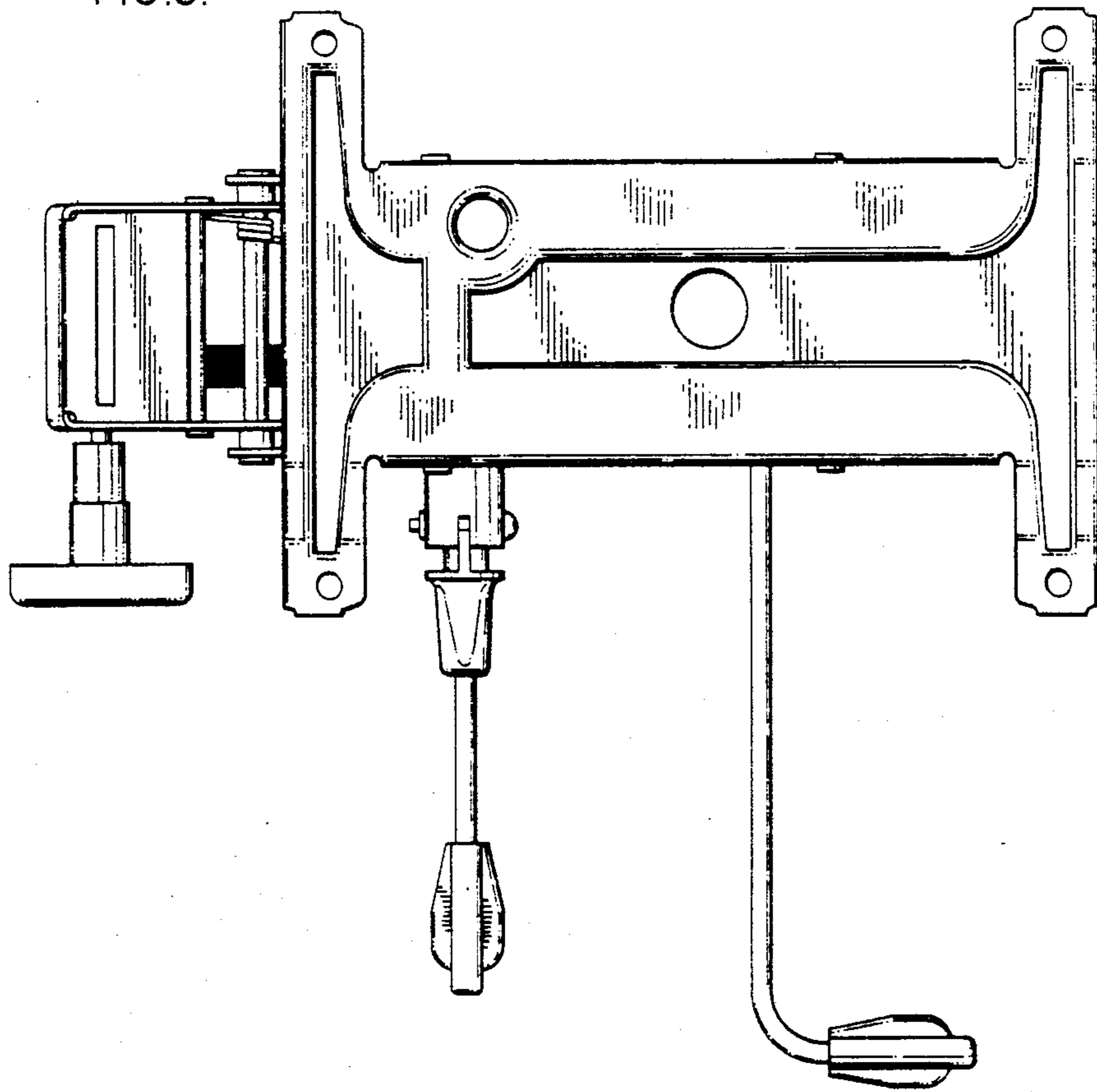


FIG. 4.

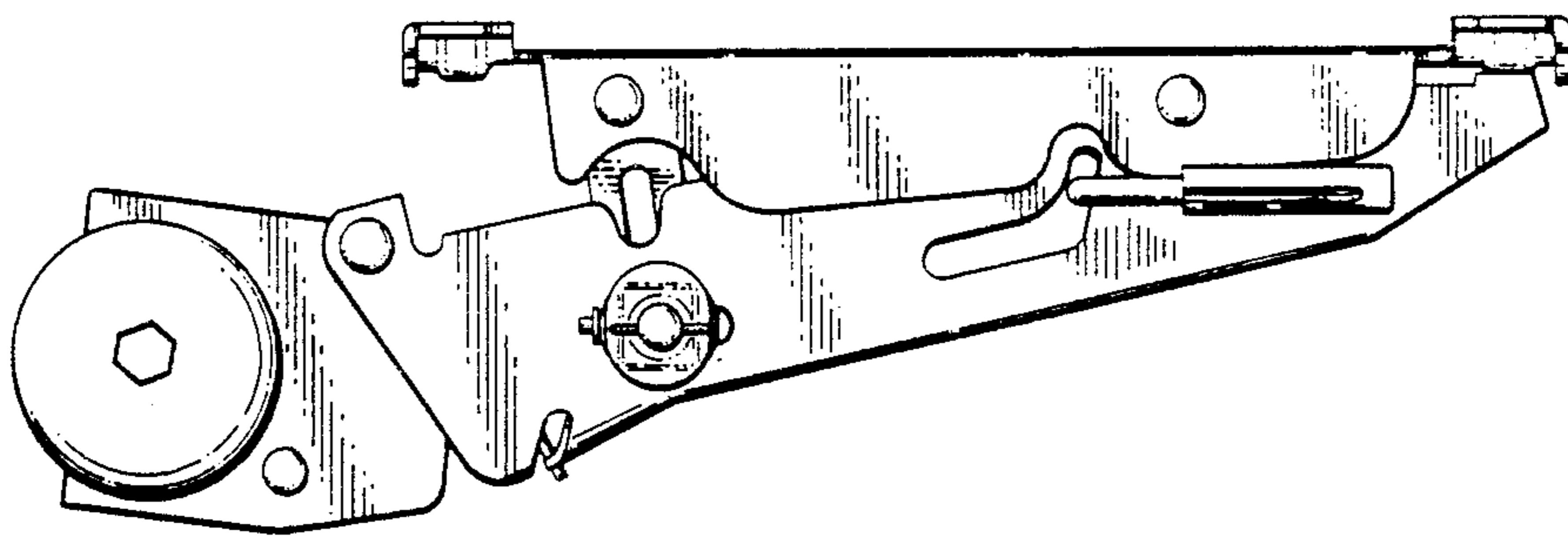


FIG. 5.

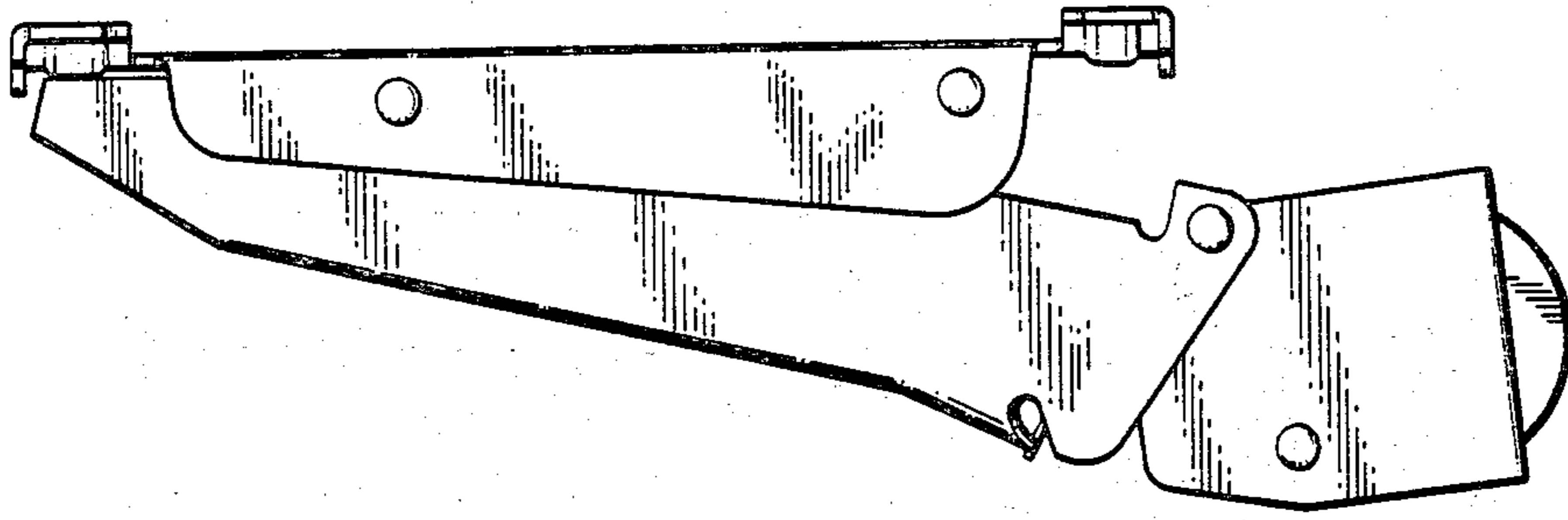


FIG. 6.

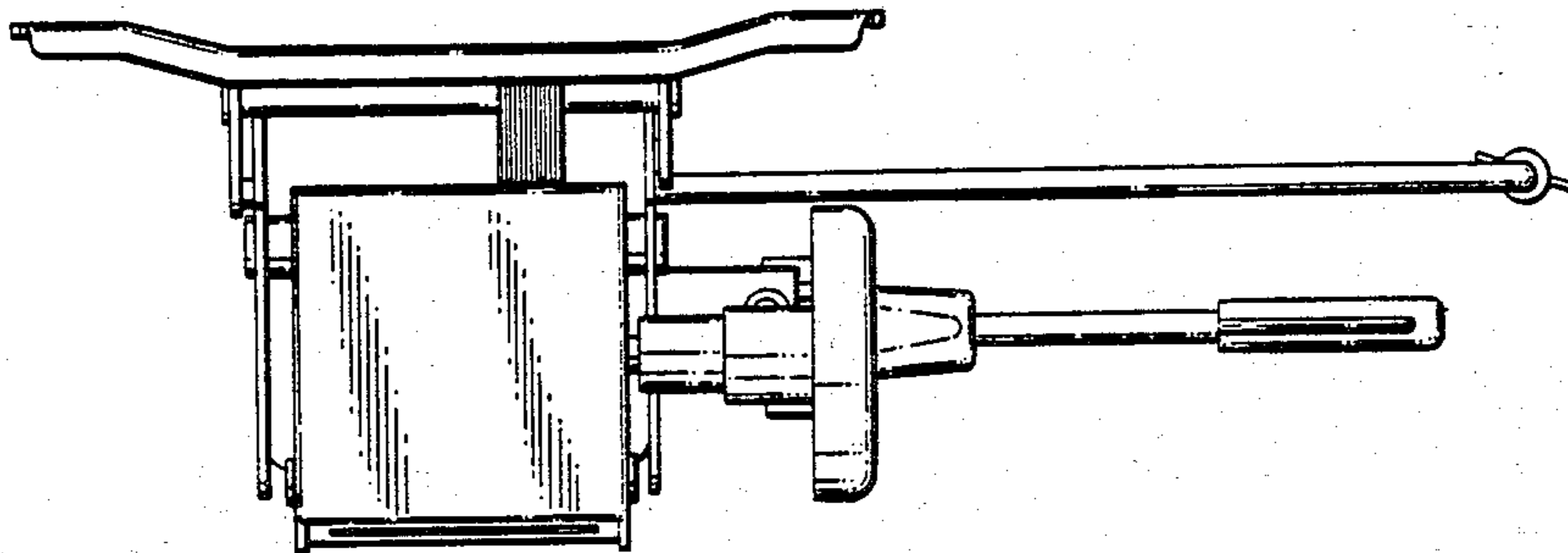


FIG. 7.

