

# United States Patent [19]

Vanderminden

[11] Patent Number: **Des. 290,068**

[45] Date of Patent: **\*\* Jun. 2, 1987**

[54] **SWIVEL ROCKER**

[75] Inventor: **Robert D. Vanderminden, Granville, N.Y.**

[73] Assignee: **Telescope Casual Furniture Co., Granville, N.Y.**

[\*\*] Term: **14 Years**

[21] Appl. No.: **673,346**

[22] Filed: **Nov. 20, 1984**

[52] U.S. Cl. .... **D6/366; D6/344**

[58] Field of Search ..... **D6/334, 364, 365, 344, D6/335, 366, 368, 375, 379; 297/258, 259, 355; 248/188.7**

[56] **References Cited**

### U.S. PATENT DOCUMENTS

D. 273,916 5/1984 Murry ..... D6/366

D. 277,525 2/1985 Bvhk et al. .... D6/366  
4,370,001 1/1983 Örnberg ..... 248/188.7

### OTHER PUBLICATIONS

Fixtures Mfg. Corp. Catalog, Oct. 1976, p. 3, Chair in foreground.

Design Catalog, Aug. 1982, p. 49, Seating Unit.

*Primary Examiner*—Bruce W. Dunkins

*Attorney, Agent, or Firm*—Kenyon & Kenyon

[57] **CLAIM**

The ornamental design for a swivel rocker, as shown.

### DESCRIPTION

FIG. 1 is a front perspective view of a swivel rocker showing my new design;

FIG. 2 is a front elevational view;

FIG. 3 is a side elevational view;

FIG. 4 is a top plan view; and

FIG. 5 is a rear elevational view thereof.

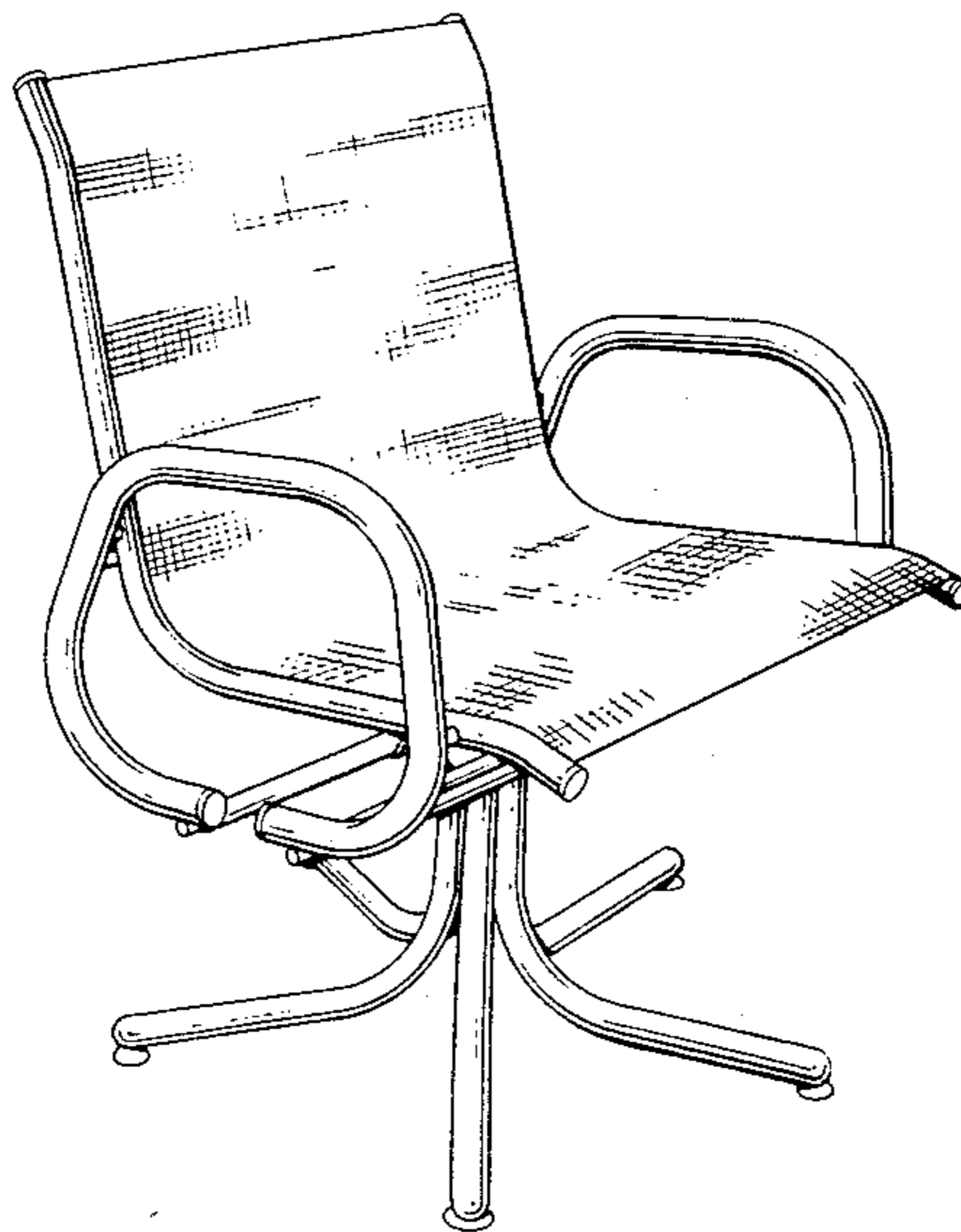


Fig. 1.



Fig. 3.

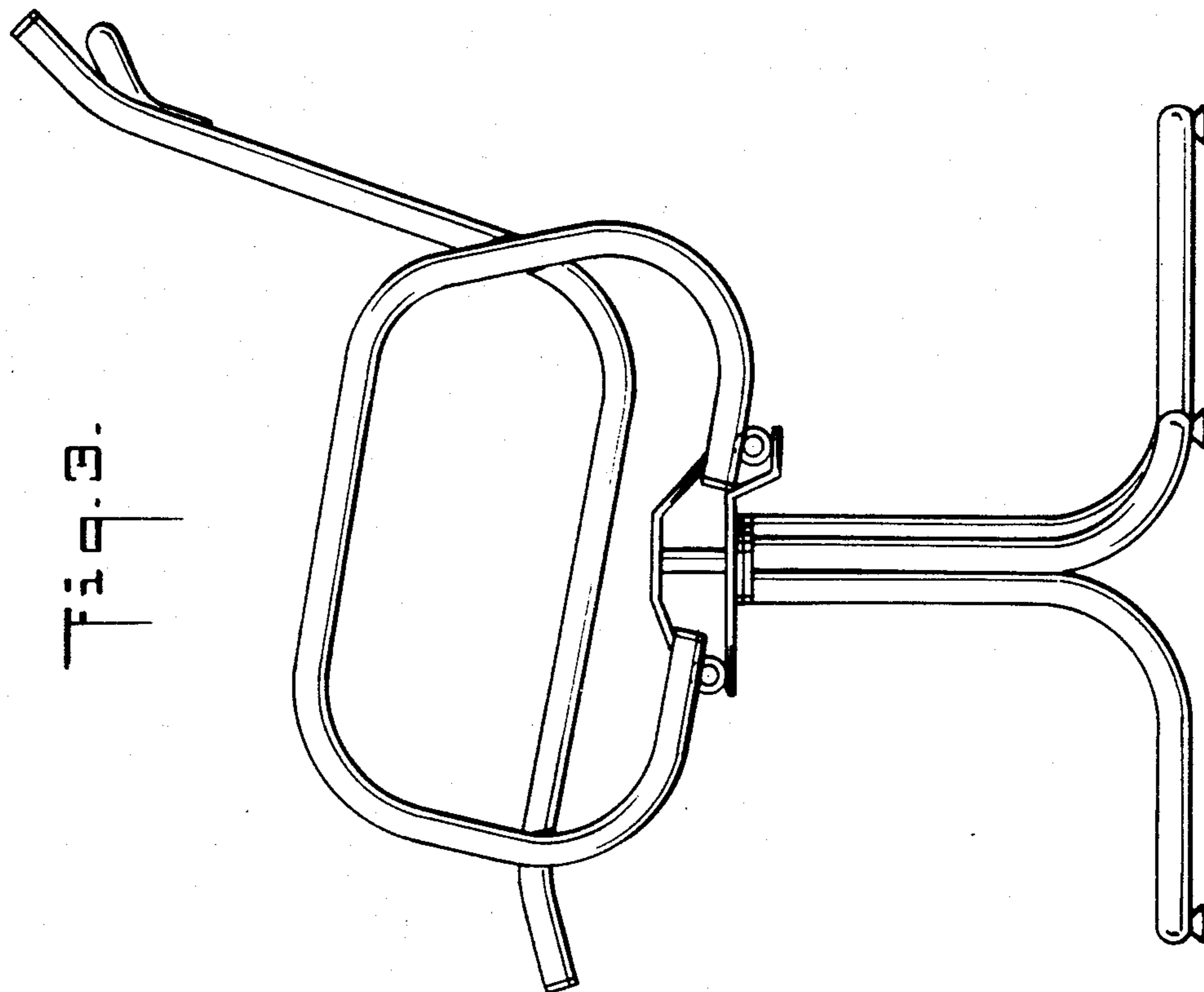


Fig. 2.

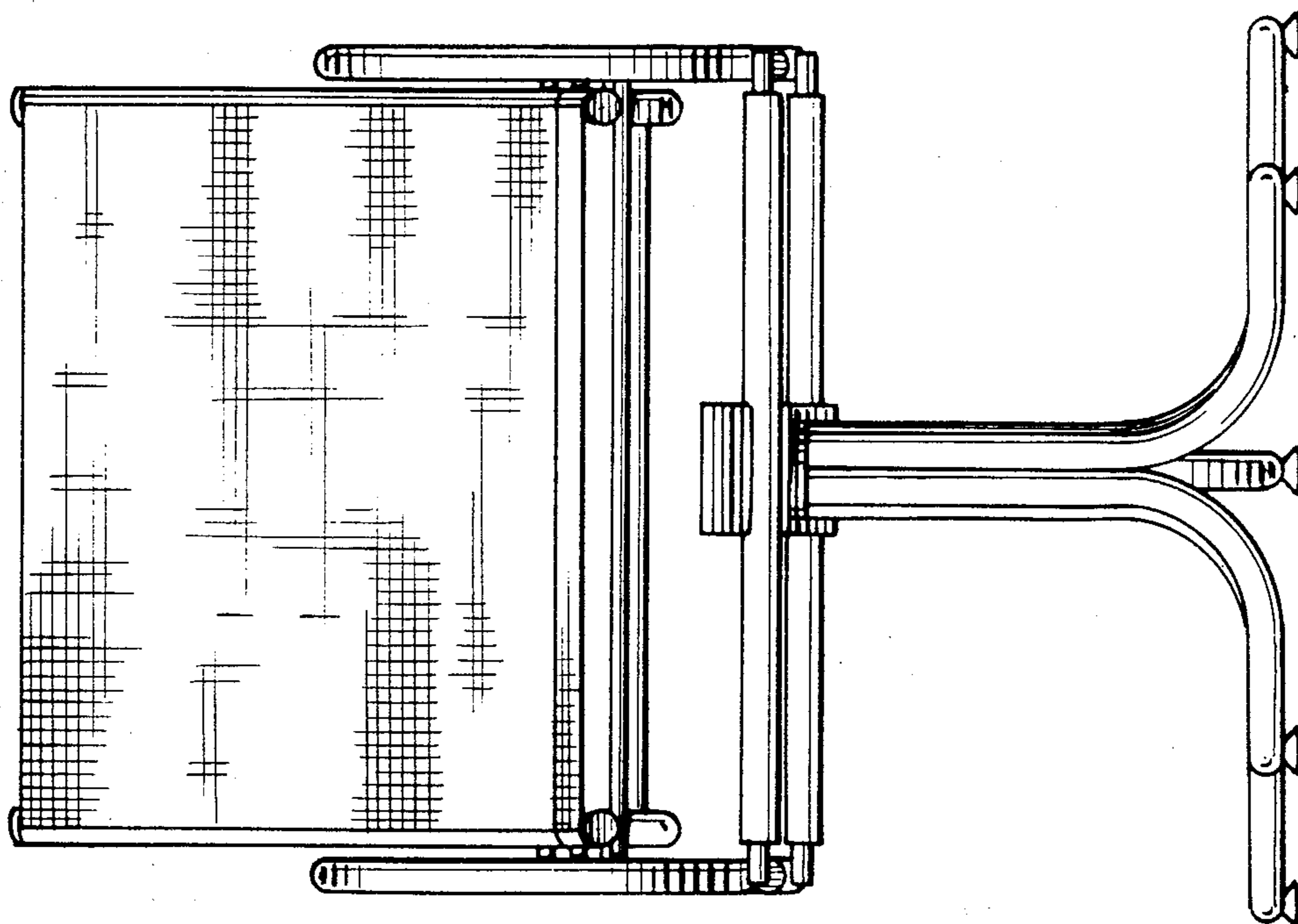


Fig. 3.

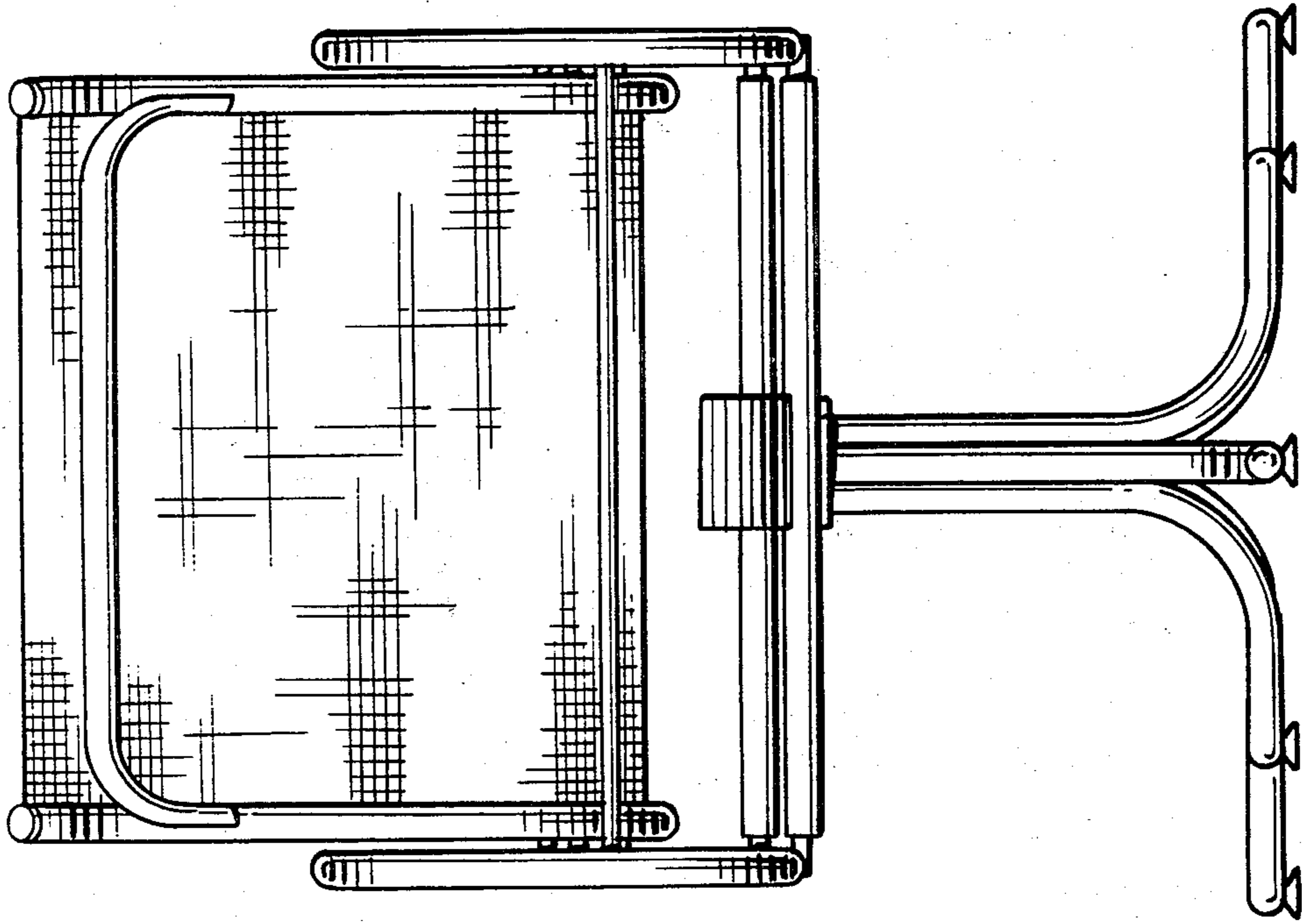


Fig. 4.

