

[54] **HOUSING FOR A FLOOR CLEANING MACHINE**

[75] **Inventor: Thomas S. Block, Muskegon, Mich.**

[73] **Assignee: Cooper Industries, Inc., Houston, Tex.**

[**] **Term: 14 Years**

[21] **Appl. No.: 624,026**

[22] **Filed: Jun. 25, 1984**

[52] **U.S. Cl. D32/15**

[58] **Field of Search D32/15-16,
D32/1, 30, 19; 15/49 C, 49 RB, 50 R, 50 C, 50
A, 52, 78, 81-83, 87, 98, 320, 340, 353, 380**

[56] **References Cited**

U.S. PATENT DOCUMENTS

D. 206,576	1/1967	Knapp et al.	D32/16
D. 258,963	4/1981	Phillips	D32/16
D. 273,621	4/1984	Haub et al.	D32/16
D. 276,472	11/1984	Harnson	D32/1

4,107,813	8/1978	Torres	15/320
4,196,492	4/1980	Johnson et al.	15/320
4,262,382	4/1981	Brown et al.	51/177
4,333,202	6/1982	Block	15/320

Primary Examiner—Wallace R. Burke
Assistant Examiner—Ruth E. Takemoto
Attorney, Agent, or Firm—E. E. Scott; R. L. Maxwell

[57] **CLAIM**

The ornamental design for a housing for a floor cleaning machine, as shown and described.

DESCRIPTION

FIG. 1 is a top, front and side perspective view of a housing for a floor cleaning machine showing my new design;

FIG. 2 is a side elevational view thereof, the opposite side being a mirror image;

FIG. 3 is a top plan view thereof;

FIG. 4 is a front elevational view thereof; and

FIG. 5 is a rear elevational view thereof.

The undisclosed bottom is flat and unornamented.

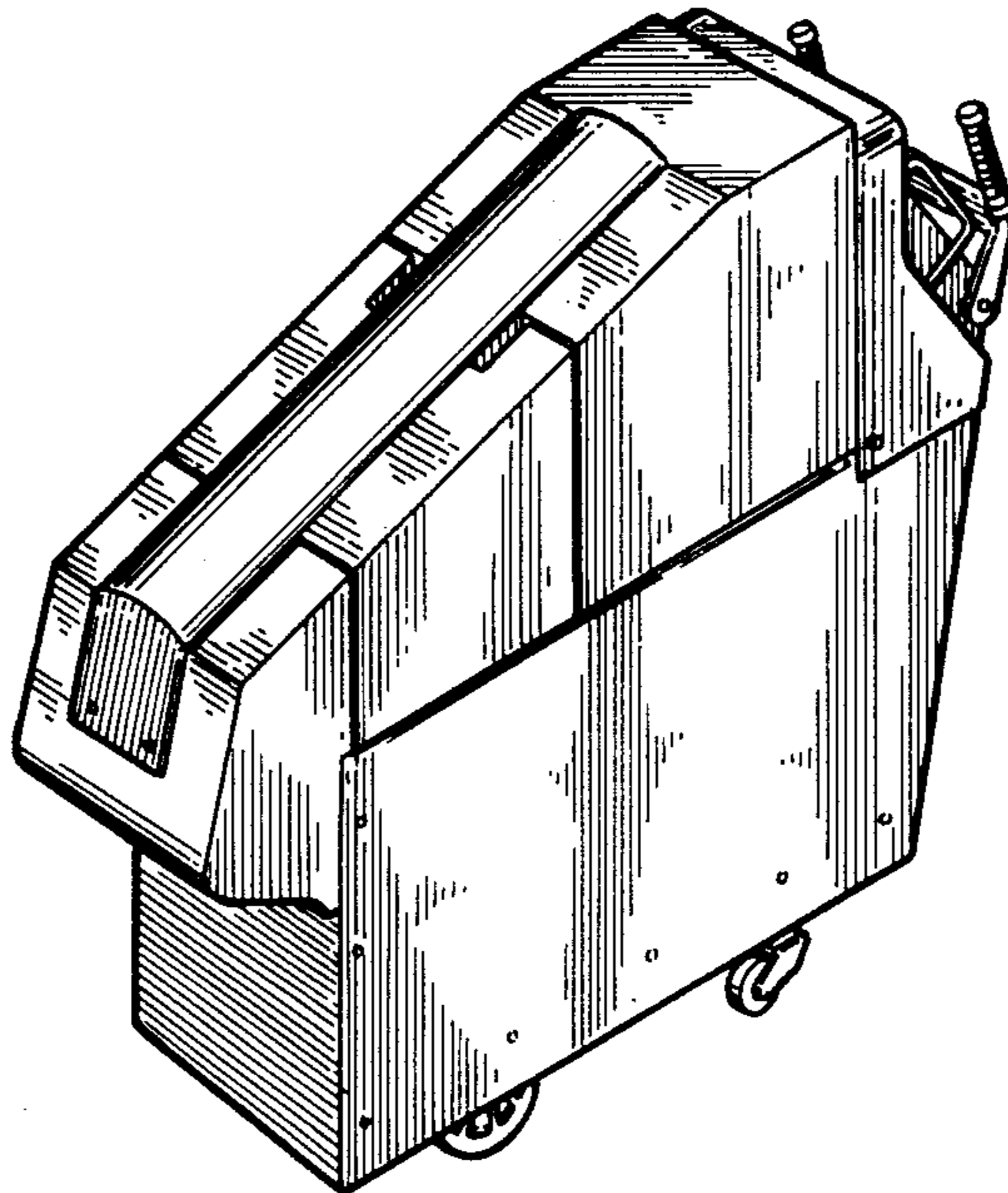


Fig. 1

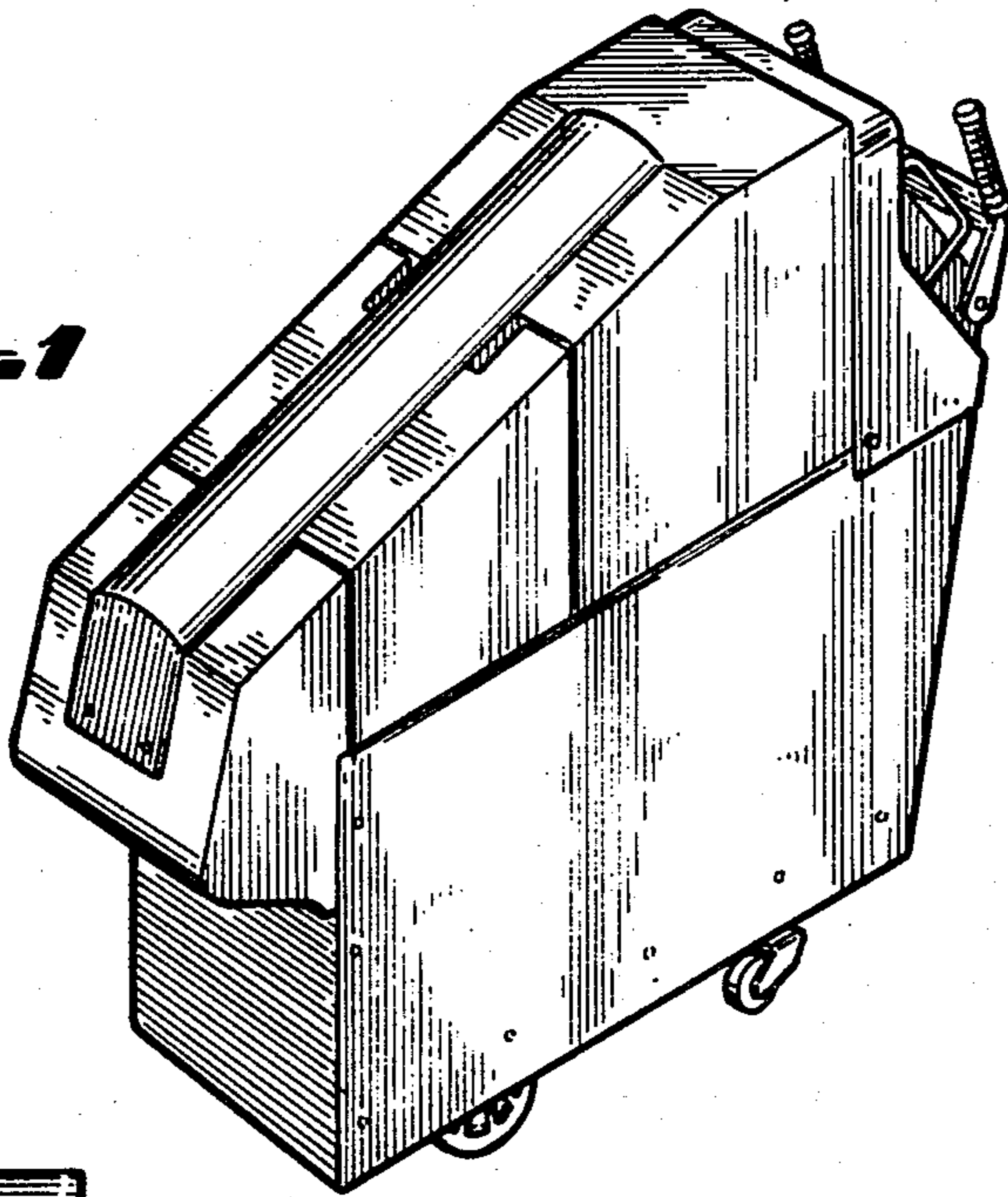


Fig. 2

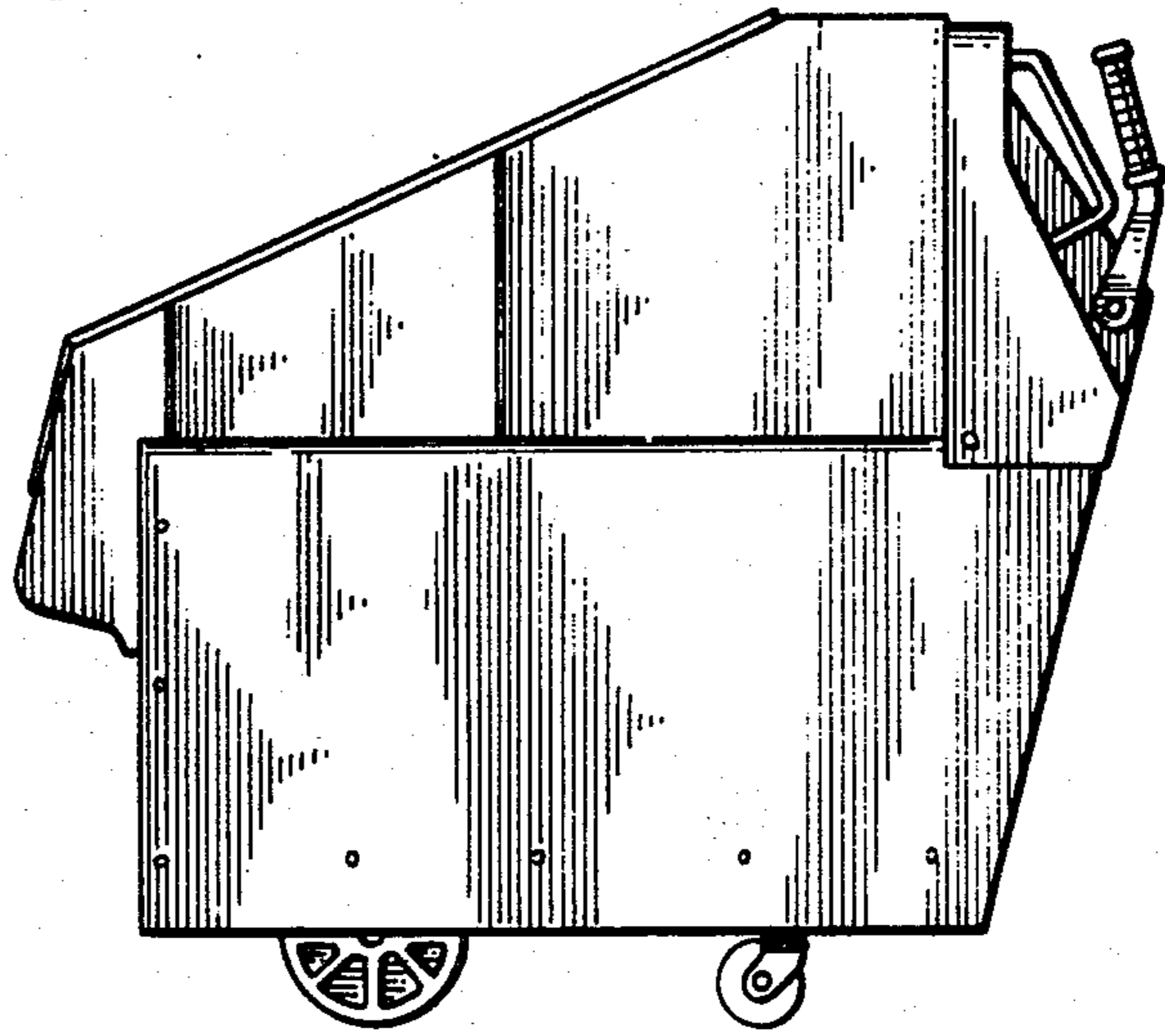


Fig. 4

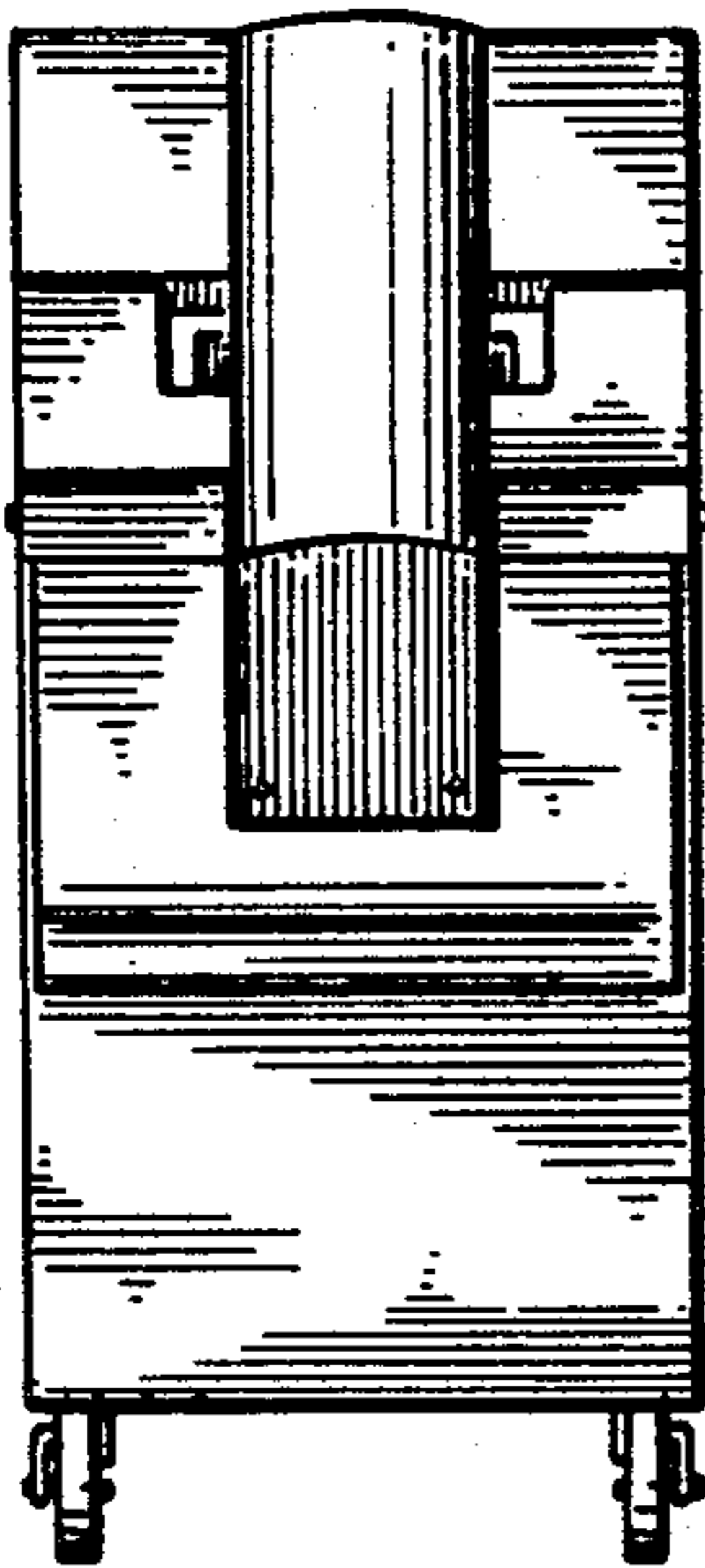


Fig. 3

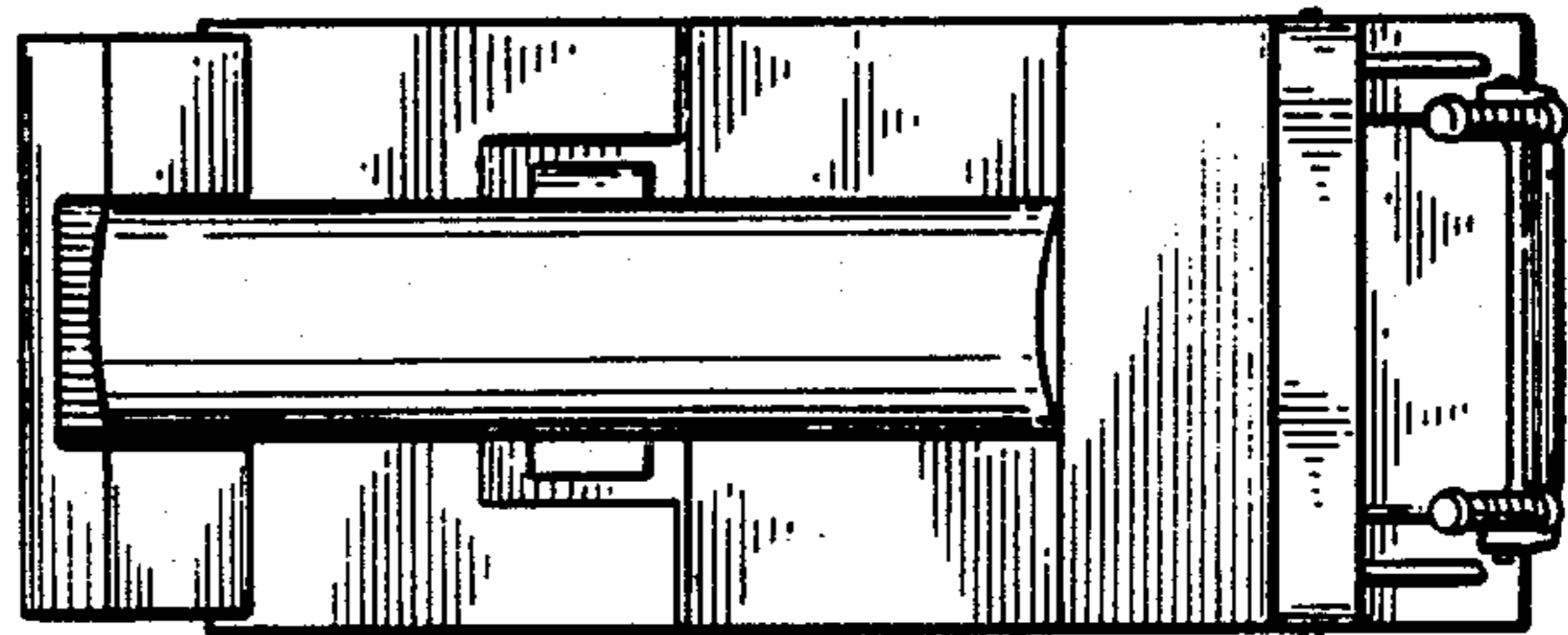


Fig. 5

