

[54] **ANIMAL FEEDER**

[76] **Inventor: Timothy J. Corbett, 15 Hannan St., Levin, New Zealand**

[**] **Term: 14 Years**

[21] **Appl. No.: 638,895**

[22] **Filed: Aug. 8, 1984**

[52] **U.S. Cl. D30/13**

[58] **Field of Search D30/13-18;
119/51 R, 51.11, 51.12, 51.14, 51.15, 52 R, 52
B, 58, 59, 61, 63**

[56] **References Cited**

U.S. PATENT DOCUMENTS

D. 211,097	5/1968	Strauss	D30/16
D. 236,511	8/1975	Bunger	D30/13
D. 269,045	5/1983	Easton	D30/16
3,180,316	4/1965	Chatfield et al.	119/51.12
3,232,274	2/1966	Chatfield et al.	119/51.12
4,279,221	7/1981	Arvizu	119/51.11
4,509,460	4/1985	Seltzer	119/74

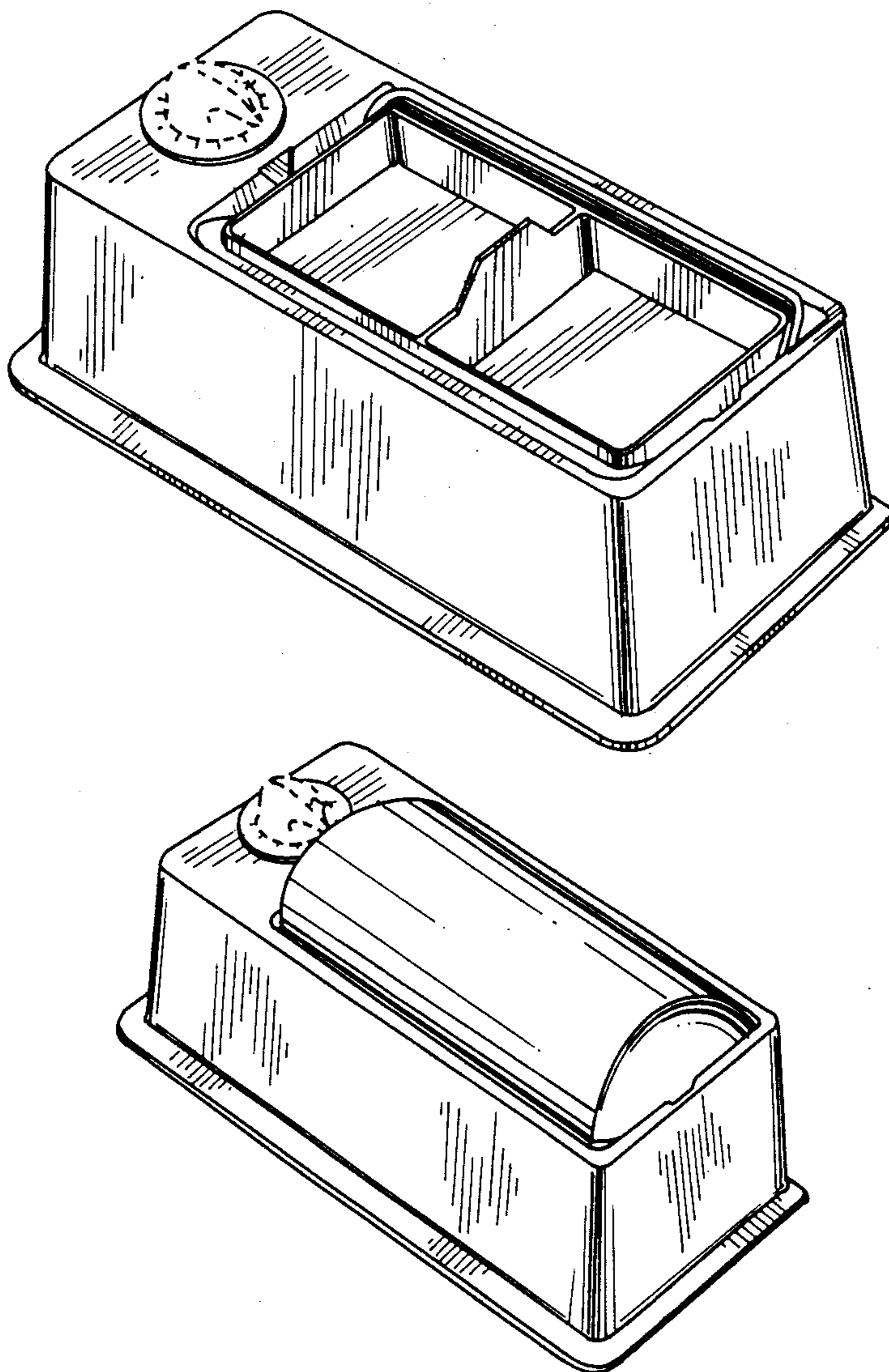
Primary Examiner—Wallace R. Burke
Assistant Examiner—Brian N. Vinson
Attorney, Agent, or Firm—Holman & Stern

[57] **CLAIM**

The ornamental design for an animal feeder, as shown and described.

DESCRIPTION

FIG. 1 is a top perspective view of an animal feeder showing my new design;
FIG. 2 is a side elevational view thereof, the opposite side being identical in appearance;
FIG. 3 is an end elevational view thereof, the opposite end being substantially similar in appearance;
FIG. 4 is a top plan view thereof, the bottom being unornamented; and
FIG. 5 is a top perspective view thereof, with the lid element shown rotated to the closed position.
The broken-line showing of the control knob is for illustrative purposes only and forms no part of the claimed design. The drawing views are shown at various scales for convenience of illustration.



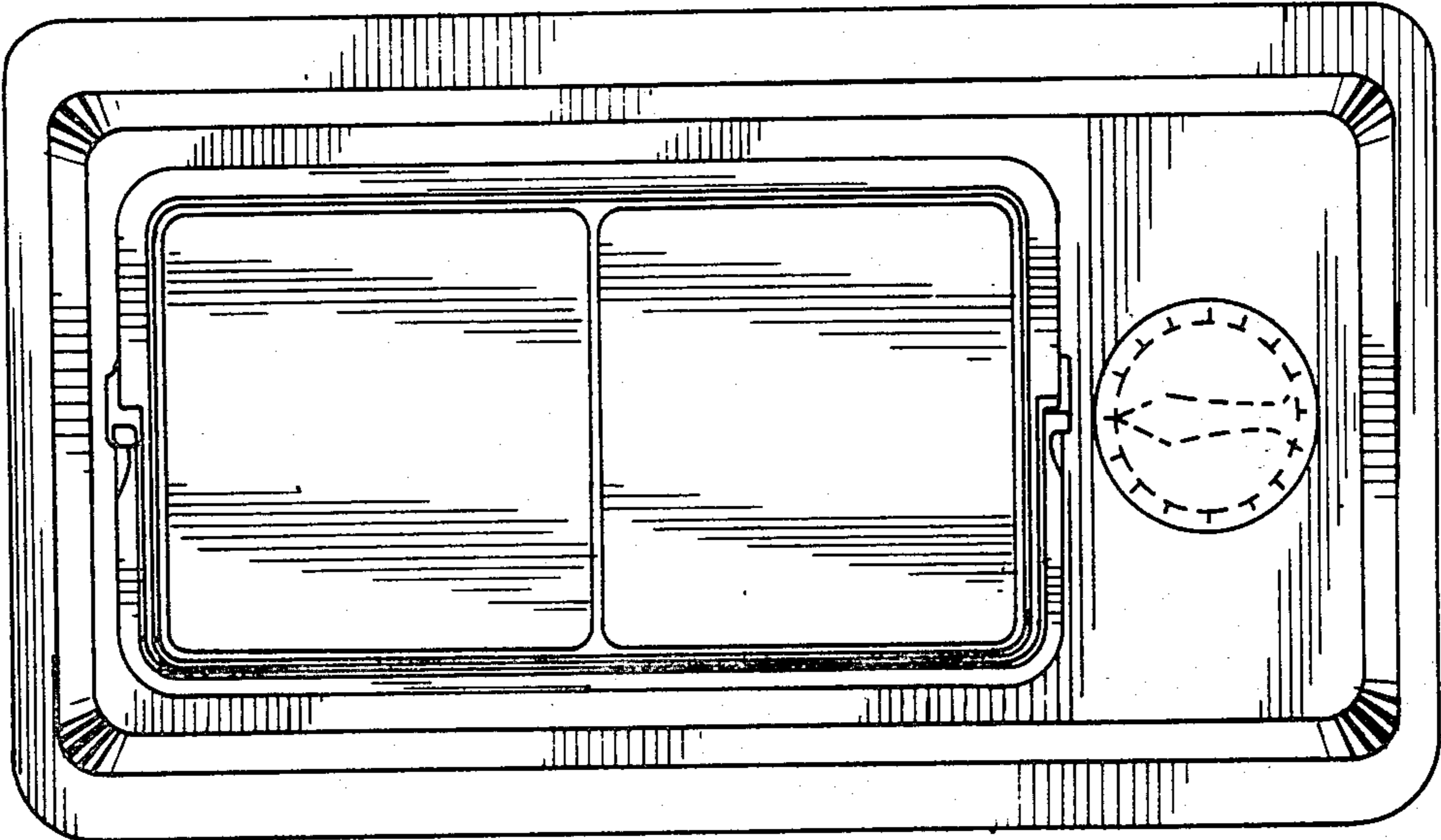


FIG. 4

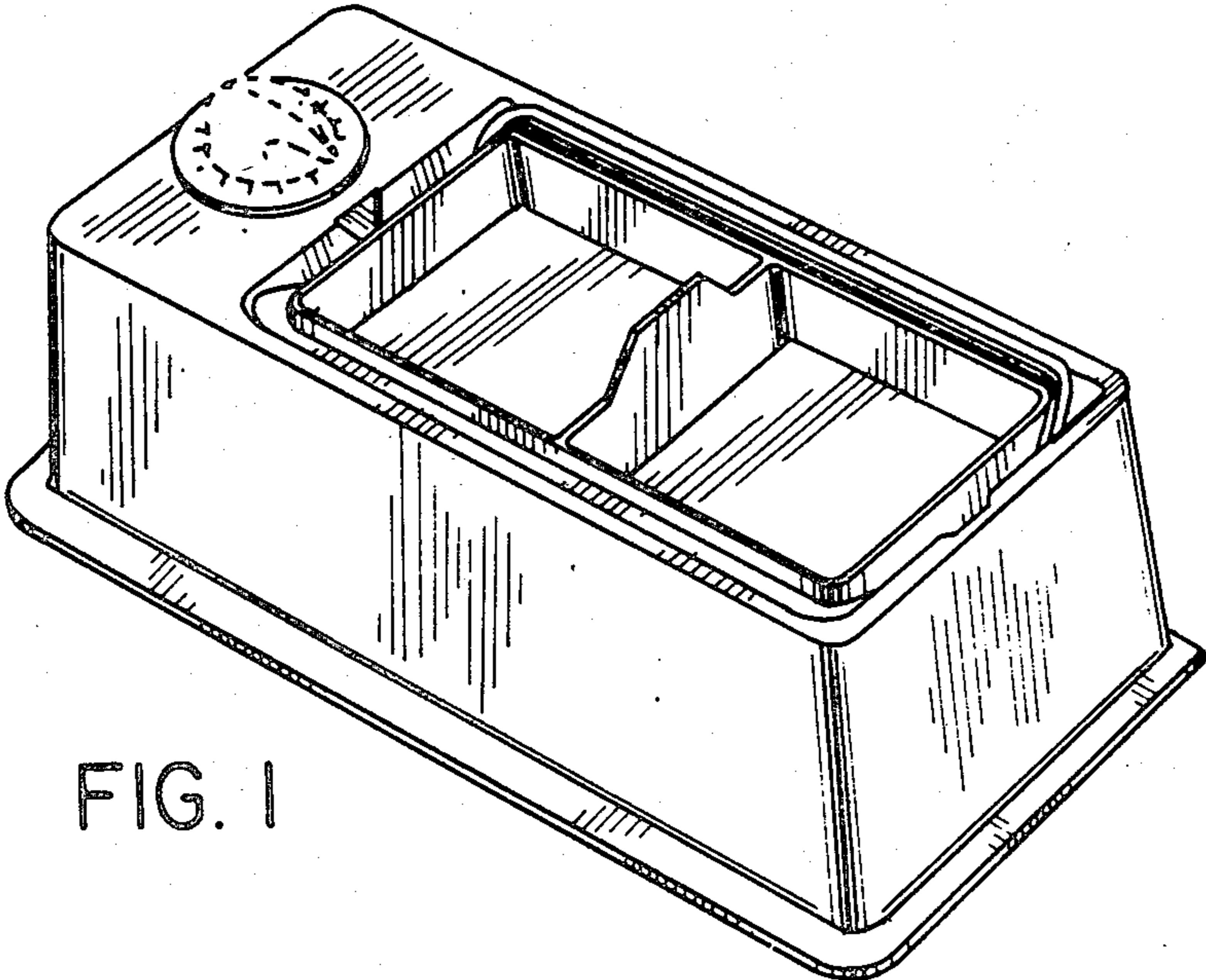


FIG. 1

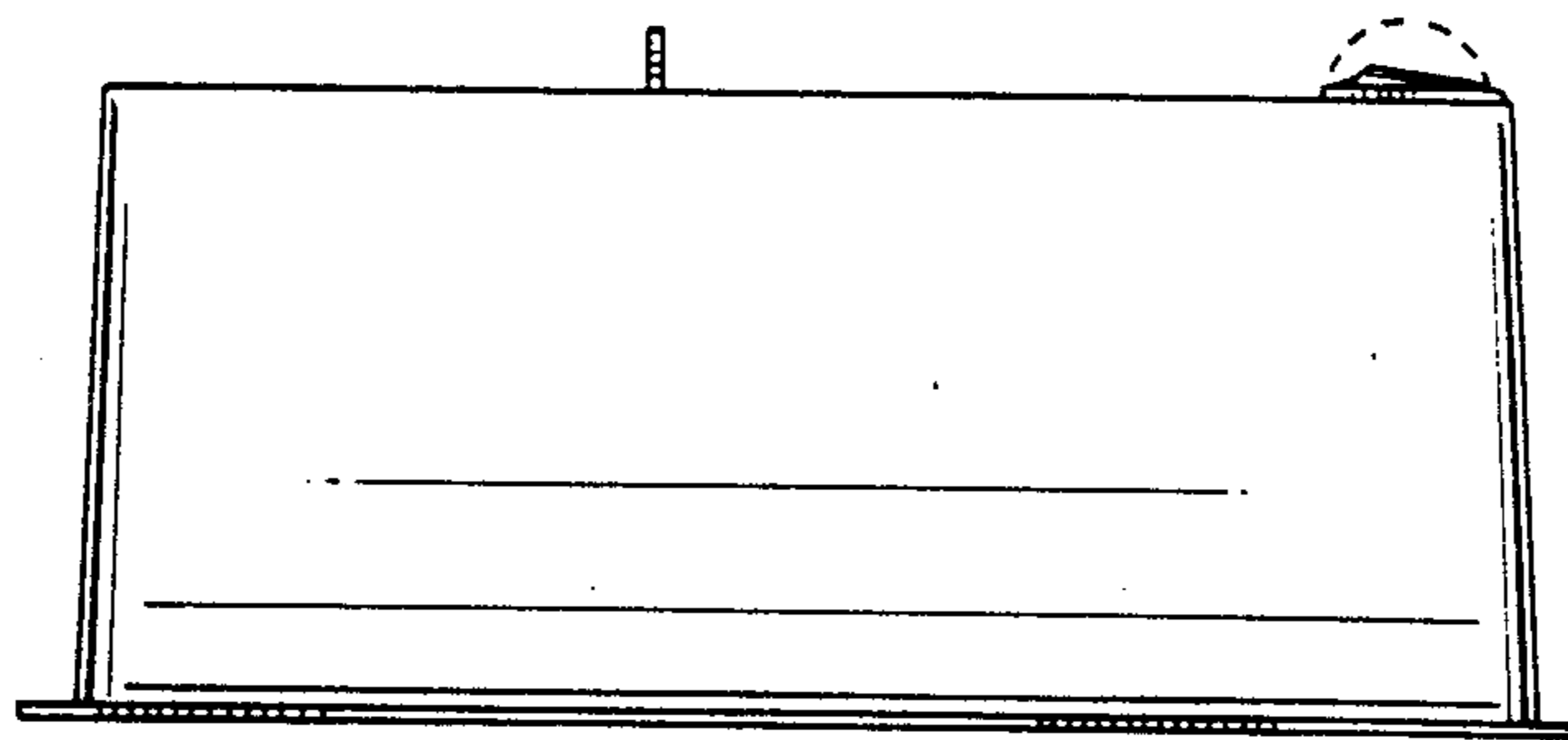


FIG. 2

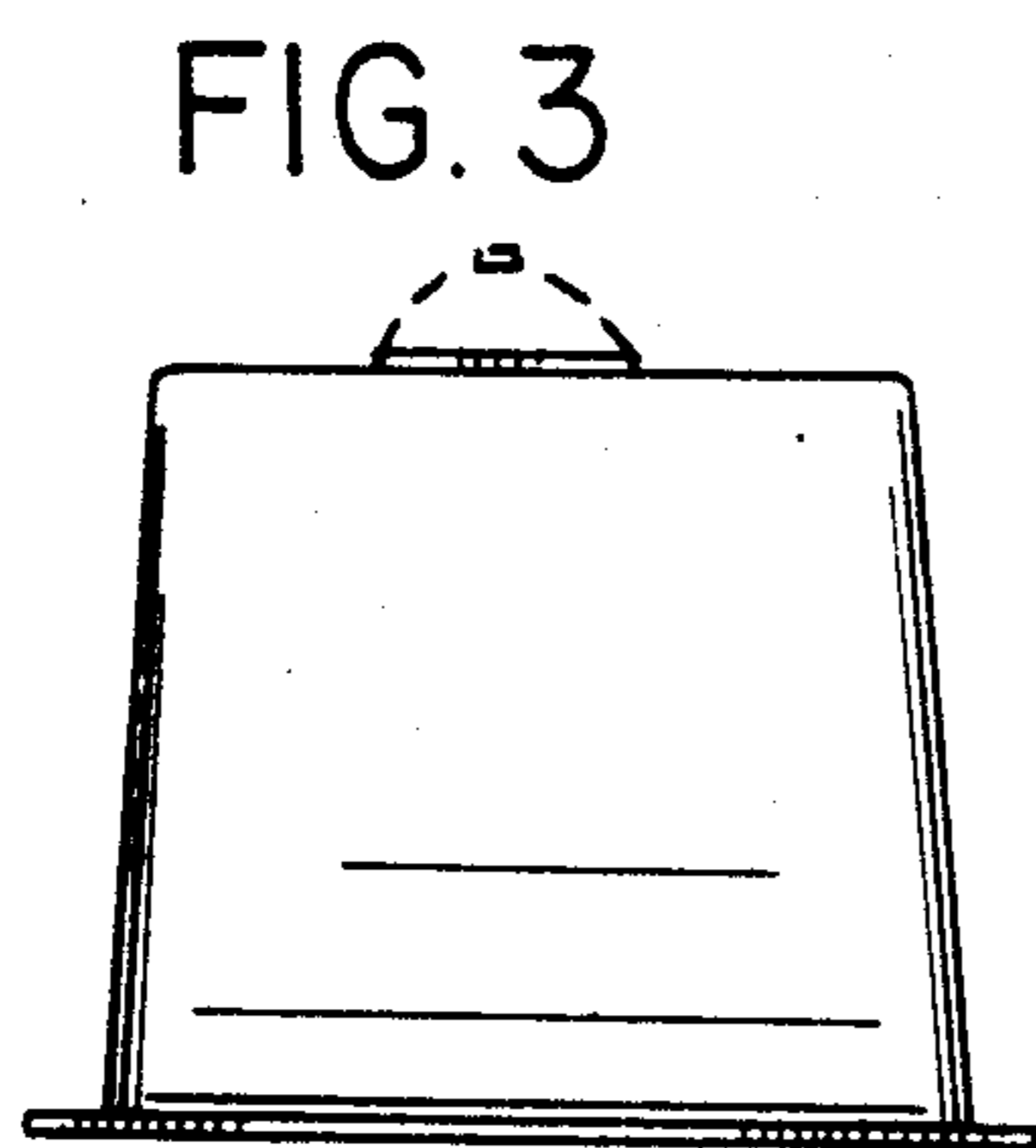


FIG. 3

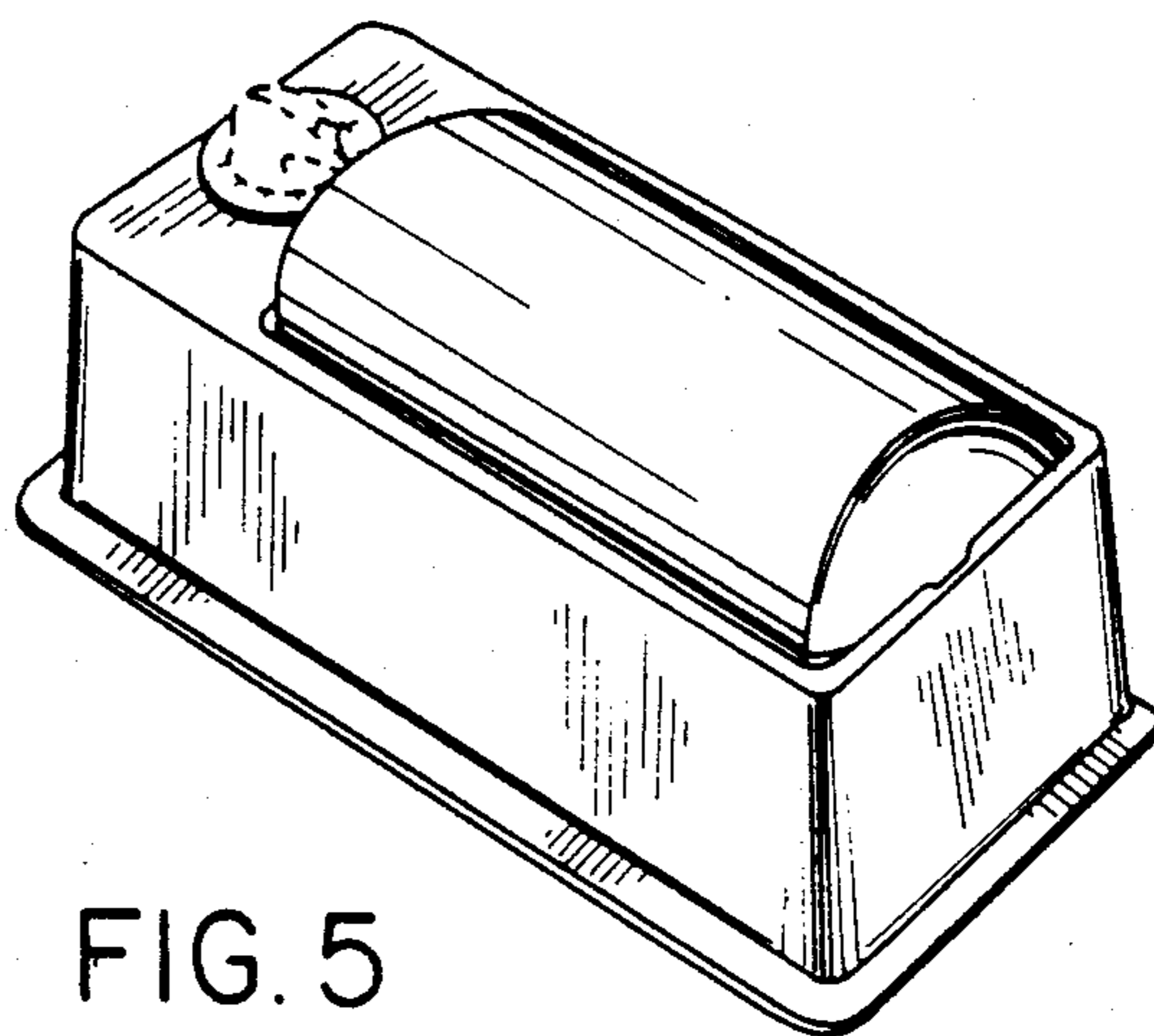


FIG. 5